

**Cutting Platforms
PremiumFlow 618/620/622/625/630/635**

PARTS CATALOG

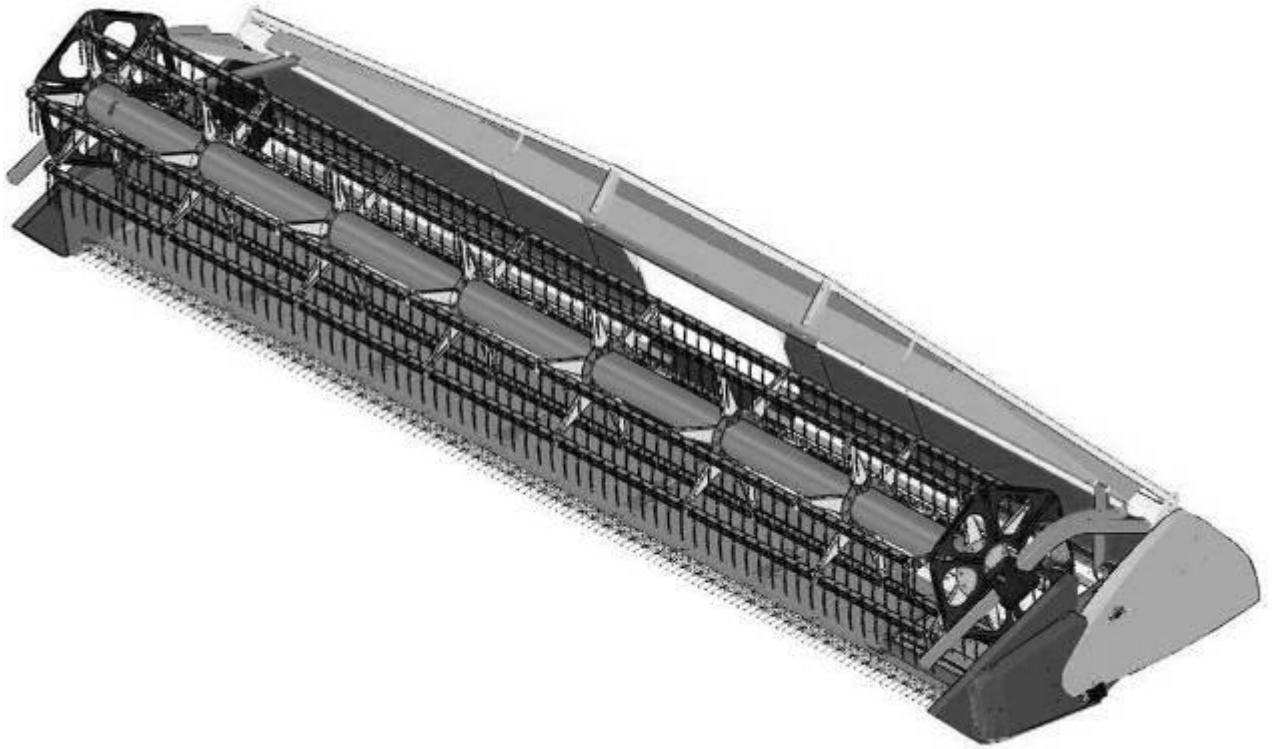
**Cutting Platforms
PremiumFlow 618/620/622/625/630/635**

5ZN51900 (Nov-16) English

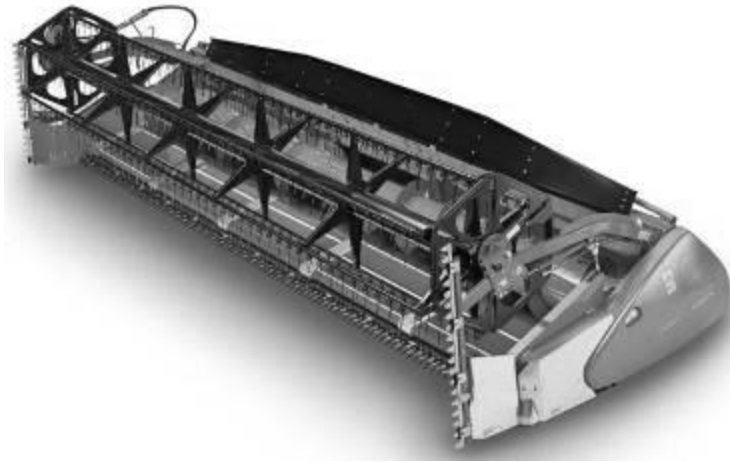
John Deere GmbH & Co. KG
Portfolio Extension Region 2

DEERE & COMPANY
Moline, Illinois
All rights reserve

Primary Pictorial Index



Introduction and Product Information Premium Cutting Platforms



To The Customer

The part numbers in this Parts Catalog were correct at the time of publication. Per John Deere policy, we continuously improve our products. Therefore, when ordering parts verify the part numbers with your dealer.

SI Units of Measurement

Metric dimensions are provided as applicable throughout this parts catalog.

Bolt and Cap Screw Strength Identification

Bolts and cap screws required to have high-strength qualities equivalent to metric property class 10.9 (SAE grade 8) or higher are identified throughout this catalog by the description 10.9, 12.9 or 14.9. All standard bolts and cap screws are metric property class 8.8 (SAE grade 5) or lower.

Serial Number Listing Information

Serial number information is listed to show on which machines each part can be used; for example:

The part can be used on all products.

000000- The part can be used on products beginning with the serial number listed.

000000 The part can be used on products up to and including the serial number listed.

000000-000000 The part can be used on products between and including the serial number listed.

When XXXXXX's are listed in place of a serial number, a serial number change was made, but the exact serial number was not available at the time of publication

Illustrations

Illustrations in this catalog are only intended as a reference for dealers and customers. These illustrations do not necessarily

Box-Enclosed Illustrations

Box-enclosed keyed parts in the illustration are available as a service assembly or an attachment. These parts may also include parts not available for service. The illustrations may not show all individual parts of an attachment. A box not keyed includes

Orientation of Product

An arrow shown with an illustration is to indicate the direction of product forward travel. Right Hand (RH) and Left Hand (LH) Sides are determined by product forward travel

Remarks and Abbreviations

The following remarks and abbreviations may appear throughout this parts catalog. Refer to the following table for translations.

Phrase	Meaning	Phrase	Meaning
ALSO ORDER, ORD W/	Also Order	MFWD	Mechanical Front Wheel Drive
AMP	Ampere	NA, NOT USED THIS APPL	Not used in this application
APPL, APPL ONLY	This application only	NLA	No longer available
AR	As required	NSEP	Not available separately
ASSY	Complete assembly	OD	Outside diameter
CCW	Counter-clockwise	OPTIONAL	Optional
COMPLETE	Complete	OR	Or
COMPLETE GOODS	Complete goods	ORD, ORDER	Order
CONVENIENCE ASSY, CA	Convenience assembly	OS	Oversize
CTL, CUT TO LENGTH	Cut to length	PKG, PACKG	Package, Packet of
CW	Clockwise	REAR	Rear
ENGINE	Engine	REMAN	Remanufactured
FOR	For	REPL	Replaces
FRONT	Front	RH	Right-hand
GAS	Gasoline	SN	Serial number
ID	Inside diameter	STD	Standard
INCH	Inch	SUB	Replaced by
INCL, INCLUDES	Includes...	SUB COMPONENTS	Substitute components (of the kit or assy)
INNER	Inner	SUB FOR	Substitutes for
KIT	Kit	TEETH, Z	Number of gear teeth

Phrase	Meaning	Phrase	Meaning
LGTH	Length	TK	Thickness
LH	Left-hand	UP, UPPER	Upper
LOW, LOWER	Lower	US	Undersize
MAKE FROM, MF	Make from	USE UNTIL EXHAUSTED	Use until exhausted
MARKED	Marked	WHOLE GOODS	Whole Goods
USE WITH	Use with	W/O	Without
INCL KEYS	Includes keys...	W/	With
BULK	Bulk	CONTAINS	Contains
CONSISTS OF	Consists of	CUT FROM	Cut from
ESN	Engine Serial Number	MATCHED SET	Matched Set
OUTER	Outer	PTO	Power Take Off
SUB THIS APPLICATION	Sub this application	SUB FOR THIS APPLICATION	Sub for this application
T.A., THIS APPLICATION	This application	VSN	Vehicle Serial Number

Serial Number Location — Cutting Platform



The Serial Number Plate is located on the Right-Hand side of the frame.

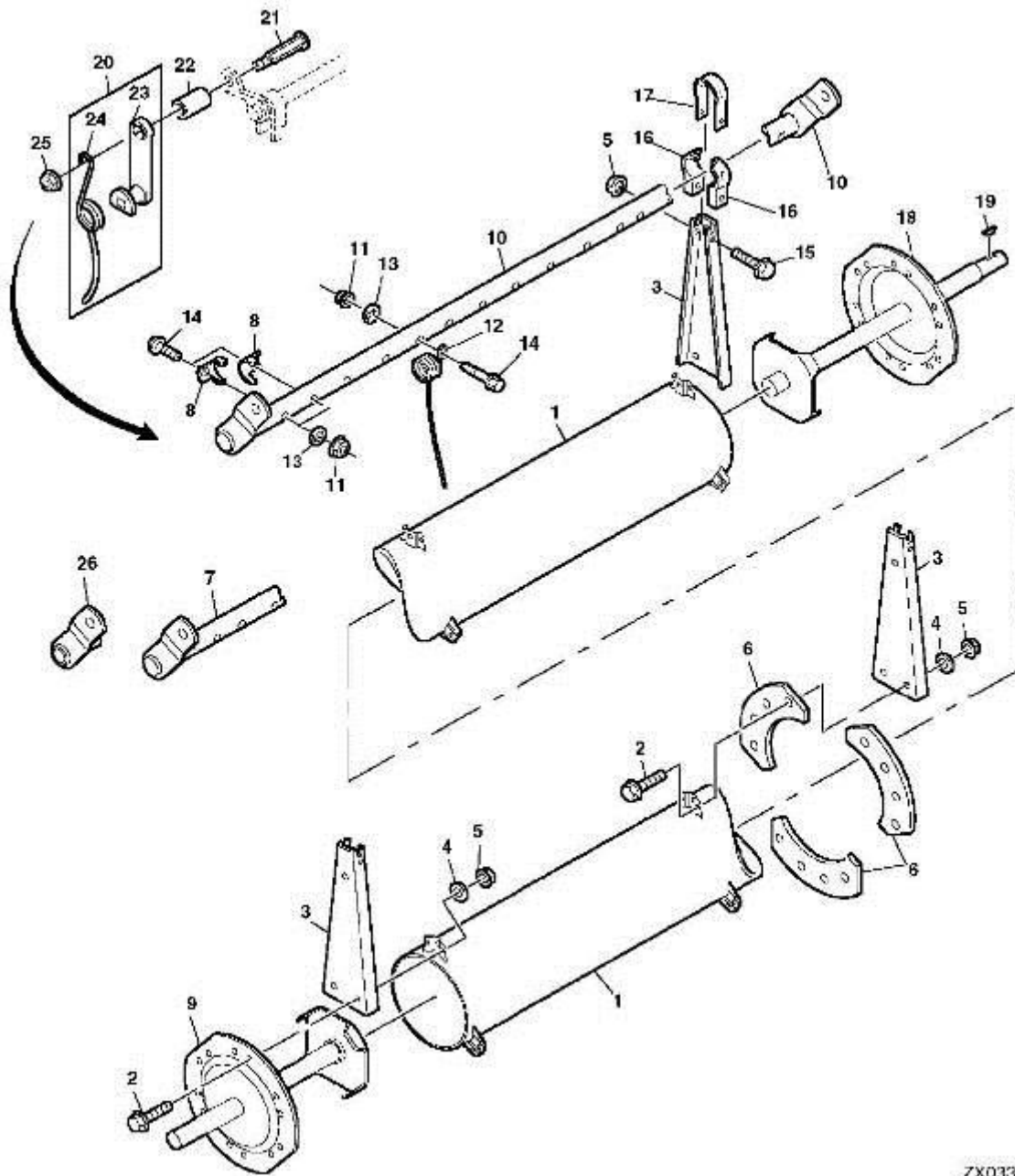
Inhaltsverzeichnis/ Index

Zinkenhaspel / Reel	9
Zinkenhaspel / Reel	11
Haspelantrieb Rechts / Reel Drive Right	13
Haspelbefestigung Links / Reel Mounting Left	15
Haspelbefestigung Links / Reel Mounting Left	17
Haspelbefestigung Rechts / Reel Mounting Right	19
Haspelarm / Reelarm	21
Haspelarme / Reel Arms and Braces	23
Haspelarm / Reelarm	25
Haspeldrehzahlsensor/ Auto Reel Speed	27
Haspelstern / Reel Eccenter Spider	28
Grundrahmen 18-30ft / Frame 18-30ft	29
Zubehör Rahmen/ Frame Equipment	30
Grundrahmen 35ft / frame 35ft	31
Abstreifer / strippers	33
Abstreifer / strippers	35
Klappabstreifer links und rechts / Lap Stripper lh and rh	36
Klappabstreifer Lagerung / Counter Bearing Flap Stripper	37
Klappabstreifer links und rechts / Lap Stripper lh and rh	38
Halterung Halmteiler / Holder Divider	39
Halmteiler kurz / Short Divider	40
Halmteiler Lang / Long Divider	41
Abweiser Außen / Outside Deflector	43
Abweiser Innen / Inner Deflector	45
Haspelhorizontal Sensor / Reel Horizontal Sensor	46
Haspelhöhen Sensor / Reel High Sensor	47
Hauptkabelbaum / Main Wiring Harness	48
Schleifkufen / Skid plates	49
Plastik Schleifkufen / Plastic Skid Plates	51
Hinteres Abschlussblech/ Closing Sheet Back	53
AHC Tastkufe / AHC sensor plate	54
AHC Tastkufe / AHC sensor plate	55
AHC Tastkufe / AHC sensor plate	56
Messerbalkenkopfabschnitt/ Cutterbar Head Section	57
Messerbalken, Mittel- und Endabschnitte/ Cutterbar Middle and End Sections	59
Messermittnehmer rechts/ Knife Drive Plate right	60
Ährenheber/ Crop Lifter	61
Schumacher Finger / Guards and Wear Plates	62
Schumacher Finger / Guards and Wear Plates	63
Messerantrieb / Knife Drive	65
Riementrieb / Knife Drive Line	67
Riementrieb / Knife Drive Line	69
Abstützung Einzugsschnecke Rechts / Auger Bracket Right	70
Spannrollenhalter / Pulley Bracket	71
Riementrieb / Knife Drive Line	72
Kardantriebswelle / Universal Drive Shaft	73
Förderschneckenhalterung und Schutze/ Auger Brackets and Shields	75
Förderschneckenhalterung und Schutze/ Auger Brackets and Shields	77
Förderschneckenlager und –wellen/ Full Finger Auger Bearings and Shafts	79
Förderschneckenlager und –wellen/ Full Finger Auger Bearings and Shafts	81
Förderschneckenlager und –wellen/ Full Finger Auger Bearings and Shafts	83
Förderschneckenfinger und Träger / Auger Finger And Support	85

Lager und Kettenspanner für Antrieb der Einzugschnecke/ Bearings and Chain Tensioner for Auger Drive	87
Rutschkupplung Förderschnecke/ Auger Slip Clutch	89
Vorgelegewelle/ Backshaft	90
Vorgelegewelle/ Backshaft	91
Schneckengangverlängerungen/ Auger Flight Extensions	92
Schneckengangverlängerung/ Auger Flight Extensions	93
Einzugschneckenhöhenverstellung / Auger High Adjustment	95
Bandantrieb / Belt Drive	97
Bandantrieb / Belt Drive	98
Rutschkupplung Einzugschnecke / Slip Clutch Auger Drive	99
Antriebswelle Bandantrieb / Shaft Belt Drive	100
Kettenspanner Bandantrieb / Tension System Belt Drive Chain	101
Kettenspanner Bandantrieb / Automatic Chain Tensioner	102
Lagerhalter Bandantriebswelle und Bandantrieb komplett/ Bracket drive shaft and belt drive shaft complete	103
Bandantrieb komplett/ Belt Drive Shaft Complete	104
Kettenspanner / Chain Tensioner	105
Kettenspanner komplett/ Chain Tensioner Complete	107
Prallblech / Splash Guard	109
Abdeckbleche/ Splash Guard	111
Seitentrenner Komplett / Side Knife Complete	112
Seitentrenner Komplett / Side Knife Complete	114
Seitentrenner Komplett / Side Knife Complete	116
Seitentrenner Komplett / Side Knife Complete	117
Seitentrenner Komplett / Side Knife Complete	118
Seitentrenner Komplett / Side Knife Complete	120
Seitentrenner Komplett / Side Knife Complete	121
Rapstrennerspitze / Crop Divider	122
Anbauteile Rechts und Links / Attached Parts Left and Right	123
Bandkörper Montageeinheit / Belt Body Mounting Unit	124
Bandkörper Montageeinheit / Belt Body Mounting Unit	126
Bandkörper Montageeinheit / Belt Body Mounting Unit	127
Bandkörper Montageeinheit / Belt Body Mounting Unit	128
Bandkörper Montageeinheit / Belt Body Mounting Unit	130
Anbauteile Bandkörper/Assembling Parts Belt Body	131
Bandkörper/ Belt Body	132
Premium Flow 635 from 2011/ 25-30 from 2014/ all from MY2015	132
Bandkörper/ Belt Body	133
Montage Werkzeug/ Assembling Tool	134
Bodenblech / Floor Section	135
Bodenblech/ Floor Section	136
Elektrischer Kabelbaum/ Wiring Harness	138
Hasselhubzylinder Links / Reel Lift Slave Cylinder	139
Hasselhubzylinder Rechts / Reel Lift Master Cylinder	140
Hasselhorizontalzylinder / Reel Fore/Aft Cylinder	141
Hasselmotor / Reel Hydraulic Motor	142
Hydraulikleitungen Haspelhub / Reel Lift Line	143
Hydraulikleitungen Haspelmotor / Reel Drive Hoses	144
Multikuppler / Multicoupler	146
Hydraulikleitungen Haspelhorizontalverstellung / Reel Fore And Aft Hydraulic Lines	148
Plastikschutz Hinten / End Shield Left	150
Edelstahlschutz Vorne Links / Stainless Guard Left	152
Auflage Edelstahlschutz links/ Bracket for lh Stainless Steel Shield	154
Schutz Hinten Rechts / Back Guard Right	155
Einzugschneckenkette 60H / Auger Chain 60H	156

Einzugsschneckenkette 80H / Auger Chain 80H	157
Hintere Aufkleber /Rear Decals	158
Hintere Aufkleber /Rear Decals	159
Aufkleber Linke Seite/ Decals lh side	160
Aufkleber Rechte Seite/ Decals rh side	161
Sicherheitsaufkleber/ Safety Decals	163
Bedienungsanleitungen/Manual und Ersatzteilliste/Parts Catalogue	164

Zinkenhaspel / Reel Premium Flow 618/620/622/625/630

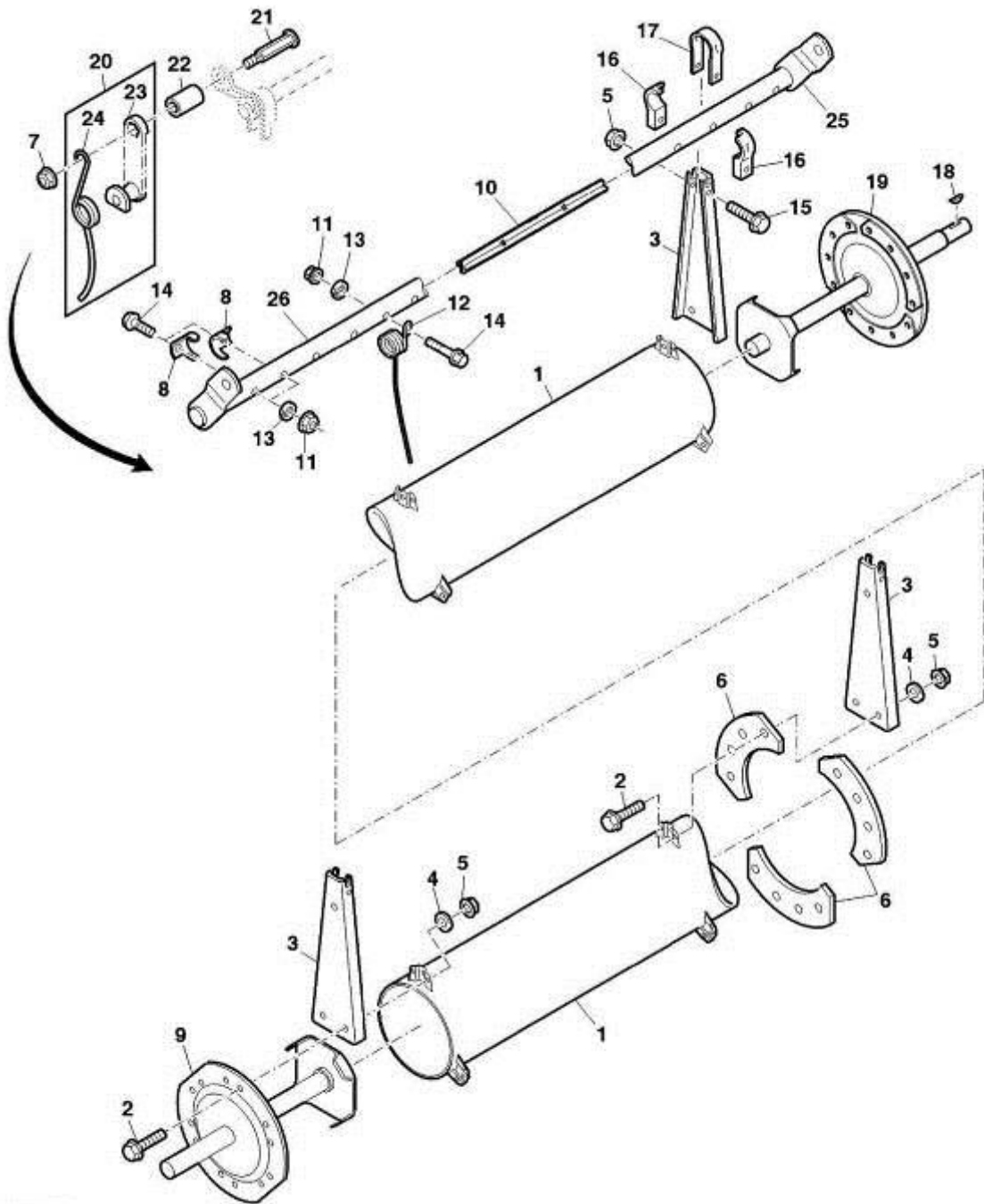


ZX033856

Zinkenhaspel / Reel
Premium Flow 618/620/622/625/630

Pos.	Bezeichnung	Description	Artikelnummer/ Part No.	Tech. Info	Menge/ Qty.
1	Haspelrohr	Tube	AH169147	618	1
	Haspelrohr	Tube	AH169149	620	1
	Haspelrohr	Tube	AH169151	622	1
	Haspelrohr	Tube	AH169152	625	1
	Haspelrohr	Tube	AH205329	630	1
2	Sechskantschraube	Cap-Screw	19M7168	M10x30	AR
3	Haspelarm	Arm	H177610	618/620/622/625	AR
	Haspelarm	Arm	H205470	630	AR
4	Federring	Lock Washer	12M7066	10mm	AR
5	Stoppmutter	Lock Nut	14M7167	M10	AR
6	Platte	Plate	H175605	618/620/622/625	AR
	Platte	Plate	H170323	630	AR
7	Zinkenträger	Tube	AH169522	618	3
	Zinkenträger	Tube	AH169524	620	3
	Zinkenträger	Tube	AH169526	622	3
	Zinkenträger	Tube	AH169528	625	3
	Zinkenträger	Tube	AH169530	630	3
8	Lager	Bearing	H176550		AR
9	Antriebswelle	Drive Shaft	AH169557	618/620/622	1
	Antriebswelle	Drive Shaft	AH206803	625/630	1
10	Zinkenträger	Tube	AH169521	618	3
	Zinkenträger	Tube	AH169523	620	3
	Zinkenträger	Tube	AH169525	622	3
	Zinkenträger	Tube	AH169527	625	3
	Zinkenträger	Tube	AH169529	630	3
11	Stoppmutter	Lock Nut	H137328		AR
12	Haspelfinger	Finger	H176180	Right	AR
	Haspelfinger	Finger	H176179	Left	AR
13	Federring	Lock Washer	12M7032	8,4mm	AR
14	Sechskantschraube	Screw	19M8318	M8x45	AR
15	Sechskantschraube	Cap Screw	19M7179	M10x50	AR
16	Lager	Bearing	H175727		AR
17	Bügel	Strap	H175436		AR
18	Antriebswelle	Drive Shaft	AH206801		AR
19	Passfeder	Shaft Key	26H46		1
20	Haspelfinger	Finger	AH202299	Right	6
	Haspelfinger	Finger	AH202300	Left	6
21	Bolzen	Bolt	E59585		6
22	Distanzbuchse	Spacer	E40212		6
23	Bügel	Strap	AH97221		6
24	Haspelfinger	Finger	H201723	Right	6
	Haspelfinger	Finger	H201724	Left	6
25	Flanschmutter	Flange Nut	E59584		6
26	Halter	Holder	AH170768		AR

Zinkenhaspel / Reel Premium Flow 635

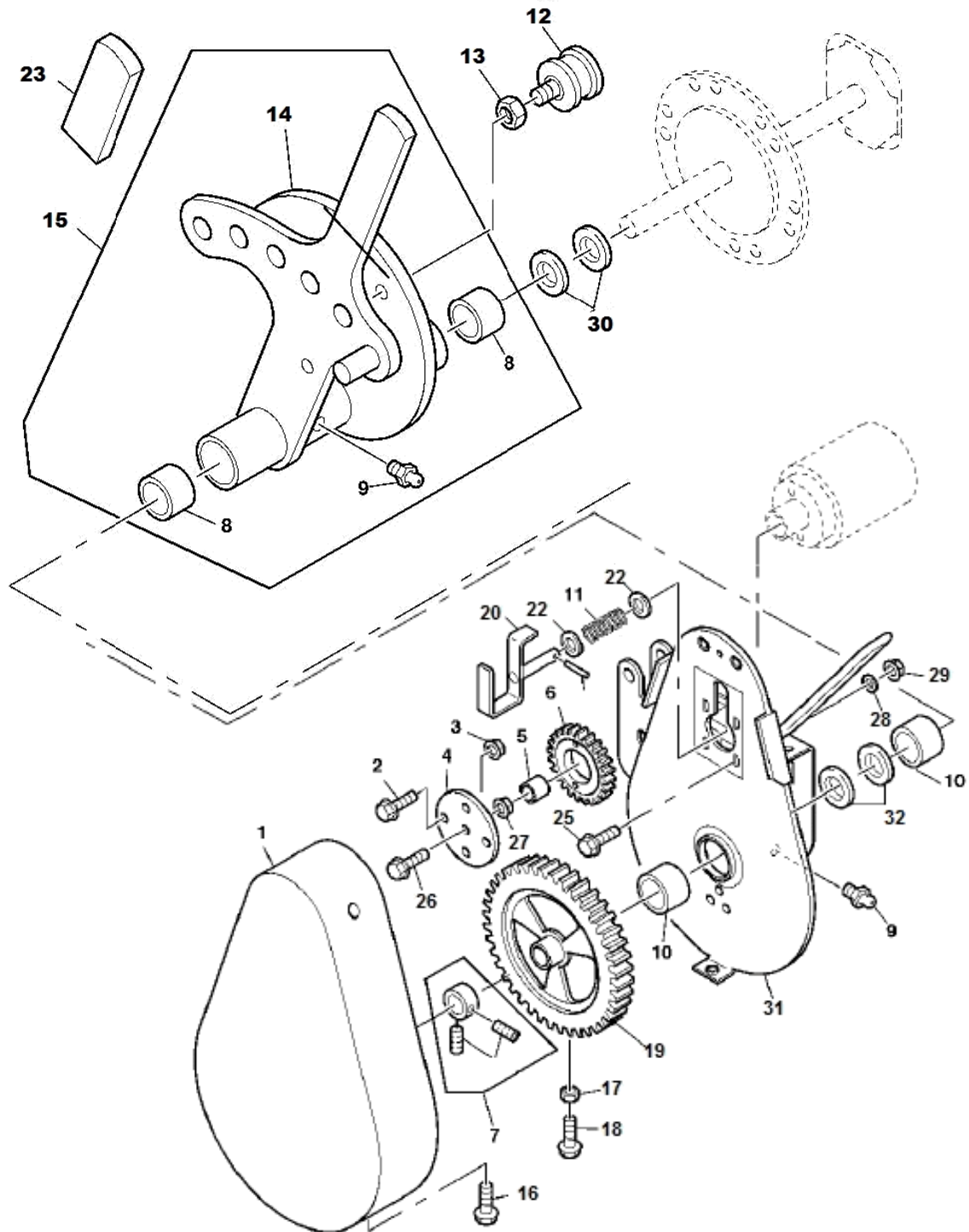


ZX045399

Zinkenhaspel / Reel
Premium Flow 635

Pos.	Bezeichnung	Description	Artikelnummer/ Part No.	Tech. Info	Menge/ Qty.
1	Haspelrohr	Tube	AH205993		1
2	Sechskantschraube	Cap Screw	19M7168	M10x30	AR
3	Haspelarm	Arm	H205470		AR
4	Federring	Lock Washer	12M7066	10mm	AR
5	Stopfmutter	Lock Nut	14M7167	M10	AR
6	Platte	Plate	H206885	OD=254mm	3
	Platte	Plate	H170323		3
7	Flanschmutter	Flange Nut	E59584		12
8	Lager	Bearing Housing	H176550		AR
9	Antriebswelle	Drive Shaft	AH215184	Left	1
10	Verbinder	Crossbar	AXE20170		6
11	Stopfmutter	Lock Nut	H137328		AR
12	Zinken	Finger	Z102299		AR
13	Federring	Lock Washer	12M7032	8,4mm	AR
14	Schraube	Screw	19M8318	M8x45	AR
15	Sechskantschraube	Cap Screw	19M7287	M10x50	AR
16	Halter	Holder	H175727		AR
17	Bügel	Strap	H175436		AR
18	Passfeder	Shaft Key	26H46	3/8"x2-1/8"	1
19	Antriebswelle	Drive Shaft	AH206803	Right	1
20	Zinken	Finger	AH202299	Right	6
	Zinken	Finger	AH202300	Left	6
21	Bolzen	Bolt	E59585		12
22	Distanzbüchse	Spacer	E40212		12
23	Bügel	Strap	AH97221		12
24	Zinken	Finger	H201723	Right	6
	Zinken	Finger	H201724	Left	6
25	Zinkenträger	Tube	AXE20551	LGTH=5272mm RH	3
	Zinkenträger	Tube	AXE20552	LGTH=5196mm RH	3
26	Zinkenträger	Tube	AXE20541	LGTH=5272mm LH	3
	Zinkenträger	Tube	AXE20542	LGTH=5196mm LH	3

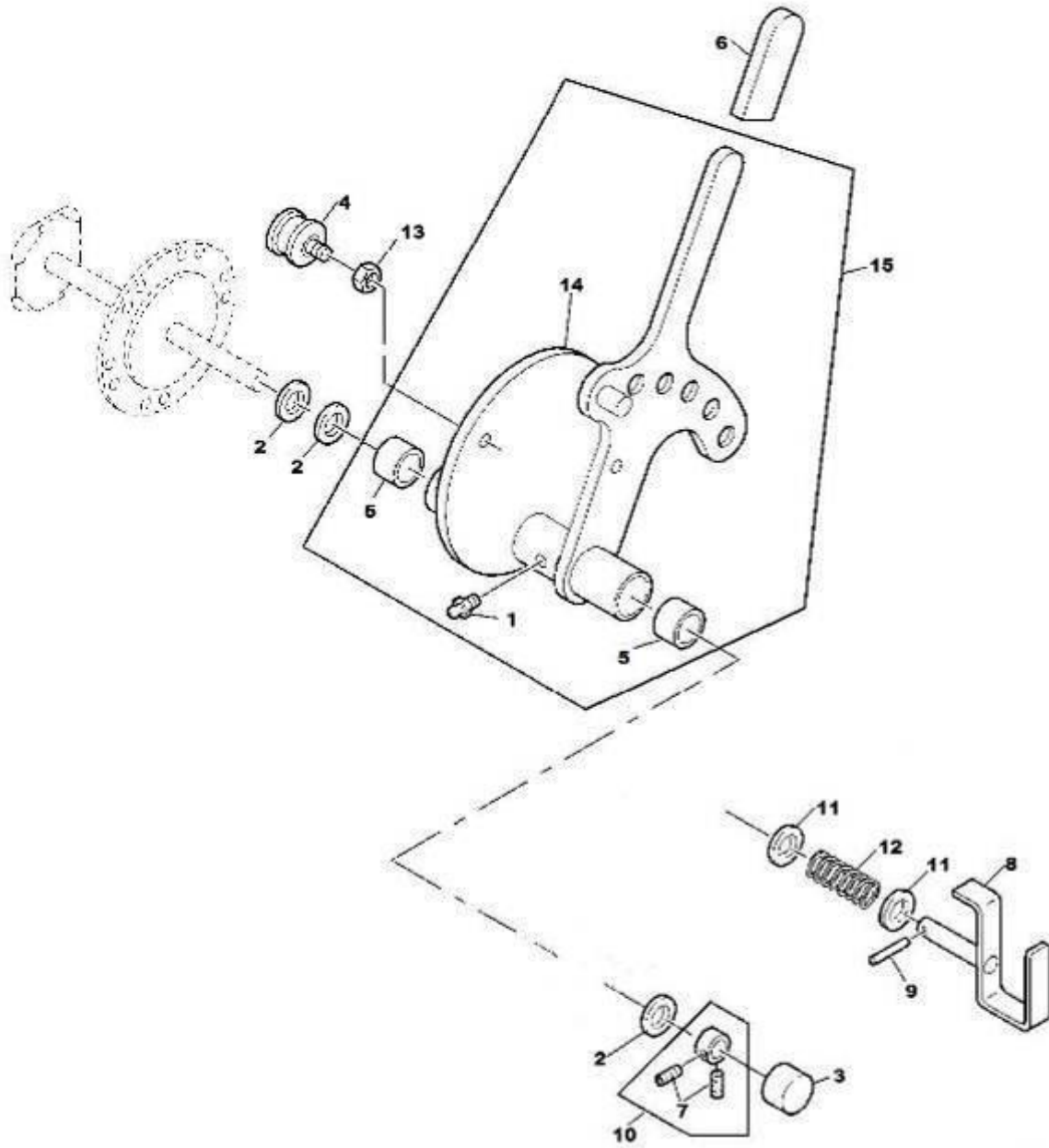
Haspelantrieb Rechts / Reel Drive Right Premium Flow 618/620/622/625/630/635



Haspelantrieb Rechts / Reel Drive Right
Premium Flow 618/620/622/625/630/635

Pos.	Bezeichnung	Description	Artikelnummer/ Part No.	Tech. Info	Menge/ Qty.
1	Schutz	Shield	H128688		1
2	Sechskantschraube	Cap Screw	19H2020	5/16"x1/2"	2
3	Federring	Lock Washer	12H303	5/16"	2
4	Platte	Plate	H130270		1
5	Distanzbüchse	Spacer	H130269		1
6	Zahnrad	Pinion	H129436	Z=18	1
7	Stellring	Locking Collar	AH169496		1
8	Lagerbüchse	Bushing	E40204		2
9	Schmiernippel	Lubrication Fitting	JD7759		AR
10	Lagerbüchse	Bushing	E40204		4
11	Druckfeder	Compression Spring	H169141		1
12	Stützrolle	Cam Follower	AH169497		3
13	Stoppmutter	Lock Nut	A51212		3
14	Haspelverstelleinheit rechts Schweißteil	Frame Right	5ZN50469	625/630/635	1
15	Haspelverstelleinheit rechts komplett	Frame Right Complete	5ZN50186	625/630/635	1
16	Schraube	Screw	37M7083	M8x12	1
17	Mutter	Nut	14H732	3/8"	2
18	Stellschraube	Set Screw	22H836	3/8"x1"	2
19	Zahnrad	Spur Gear	AH139288	Z=73	1
20	Bolzen	Pin	5ZN50327		
21	Spannstift	Spring Pin	34M7023	3x24mm	1
22	Scheibe	Washer	24M7145	15x24x2,5mm	2
23	Griff	Grip	H96259		1
24	Stellschraube	Set Screw	22M7080	M8x8	2
25	Sechskantschraube	Cap Screw	19H1936	3/8"x3/4"	4
26	Sechskantschraube	Cap Screw	19H1875	5/16"x1-3/4"	1
27	Federring	Lock Washer	12M7065	8mm	1
28	Scheibe	Washer	24H1305	13/32"x13/16"x0,065"	4
29	Stoppmutter	Lock Washer	12H304	3/8"	4
30	Scheibe	Washer	5ZN50510		2
31	Haspelrollwagen rechts	Reel Creeper rh	5ZN50189	618/620/622	1
	Haspelrollwagen rechts	Reel Creeper rh	5ZN50190	625/630/635	1
32	Scheibe	Washer	5ZN50511	65x35x2	AR

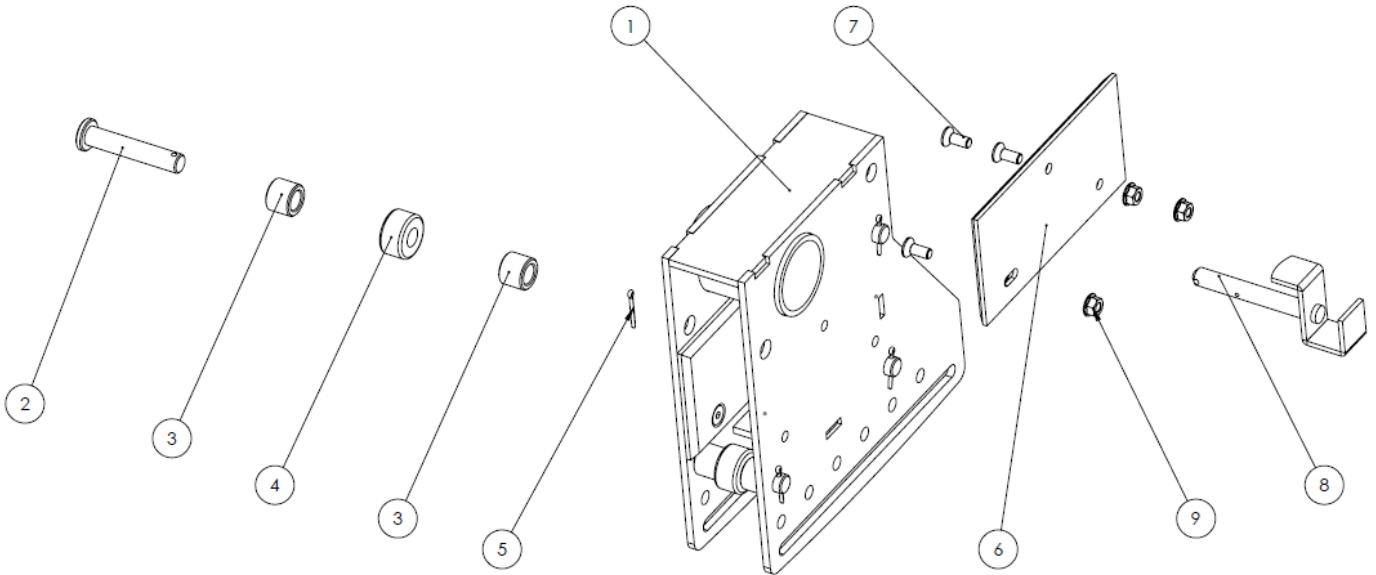
Haspelbefestigung Links / Reel Mounting Left Premium Flow 618/620/622/625/630/635



Haspelbefestigung Links / Reel Mounting Left
Premium Flow 618/620/622/625/630/635

Pos.	Bezeichnung	Description	Artikelnummer/ Part No.	Tech. Info	Menge/ Qty.
1	Schmiernippel	Lubrication Fitting	JD7759		1
2	Scheibe	Washer	5ZN50510		3
3	Kappe	Cap	Z77753		1
4	Laufrolle	Bearing	AH169497		3
5	Büchse	Bushing	E40204		2
6	Griff	Grip	H96259		1
7	Stellschraube	Set Screw	22M7080		2
8	Bolzen	Pin	5ZN50327		1
9	Spannstift	Spring Pin	34M7023		1
10	Stelling	Locking Collar	AH169496		1
11	Scheibe	Washer	24M7145		2
12	Druckfeder	Compression Spring	H169141		1
13	Stopfmutter	Lock Nut	A51212		1
14	Haspelverstelleinheit links Schweißteil	Frame Left	5ZN50468	618/620/622/ 625/630/635	1
15	Haspelverstelleinheit links komplett	Frame Left Complete	5ZN50185	618/620/622/ 625/630/635	1

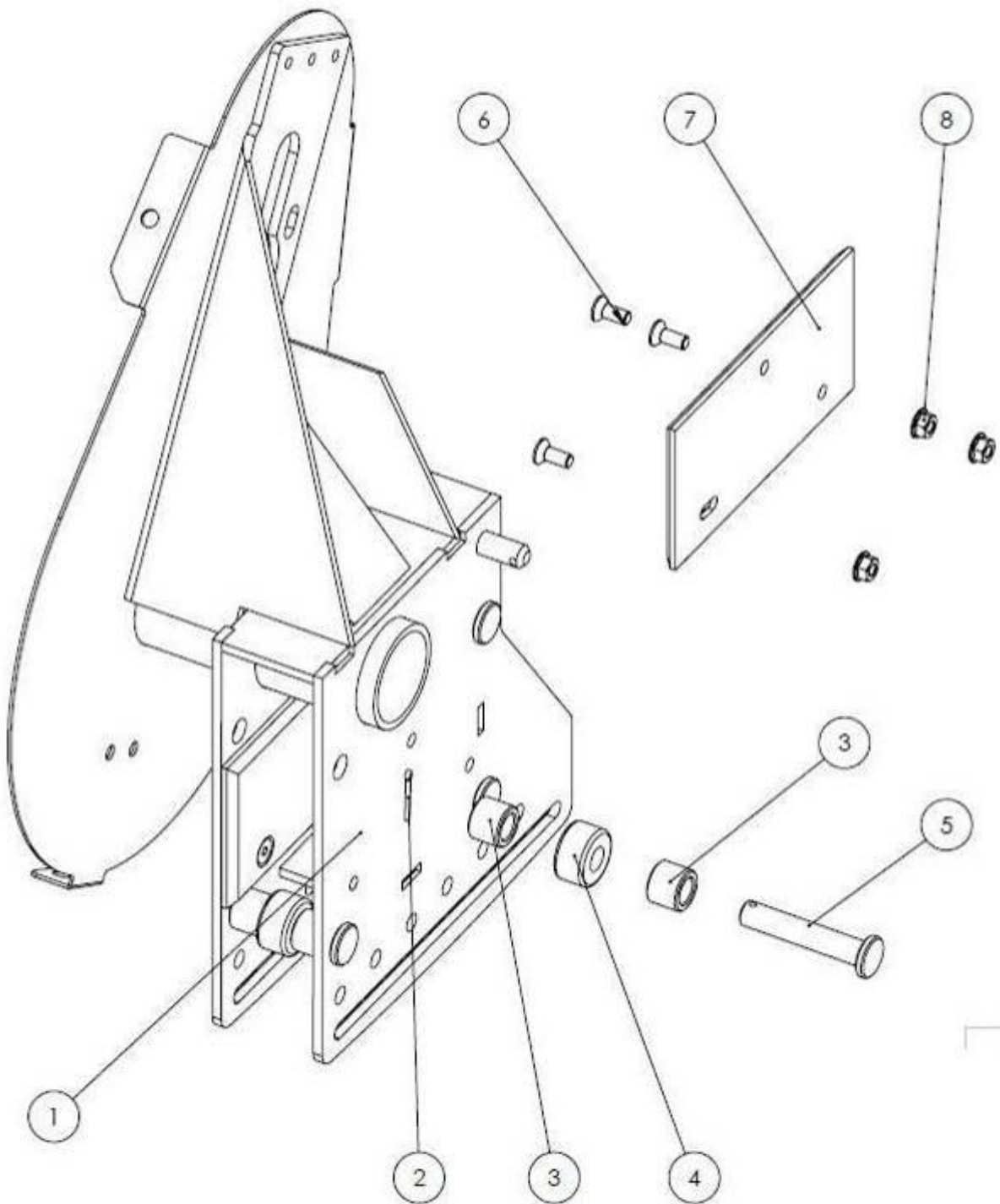
Haspelbefestigung Links / Reel Mounting Left Premium Flow 618/620/622/625/630/635



Haspelbefestigung Links / Reel Mounting Left
Premium Flow 618/620/622/625/630/635

Pos.	Bezeichnung	Description	Artikelnummer/ Part No.	Tech. Info	Menge/ Qty.
1	Haspelrollwagen Links	Reel Cart Left	5ZN50461	618/620/622/625/ 630/635	1
2	Bolzen	Pin	5ZN51024		4
	Bolzen Haspelrollwagen	Pin Reel Cart	5ZN52045	635 from MY2015	4
3	Distanzhülle	Spacer	5ZN50328		8
4	Stützrolle mit Axialführung	Yoke Type Track Rollers	5ZN50122	NATV 15 PPA	4
5	Splint	Splint Pin	5ZN70001	3,2x25	4
6	POM Führungsplatte	POM Guide Plate	5ZN50455		2
7	Senkschraube	Conter Bolt	5ZN70034	M8x20	6
8	Bolzen	Bolt	5ZN50327		1
9	Mutter	Nut	5ZN70005	M8	6
10	Haspelrollwagen komplett mit Steuerung links	Reel Cart LH	5ZN50188	Pos. 1-8 618/620/622/625/ 630	
	Haspelrollwagen li 35Ft	Reel Cart LH	5ZN52275	635 from MY2015	

Haspelbefestigung Rechts / Reel Mounting Right Premium Flow 618/620/622/625/630/635

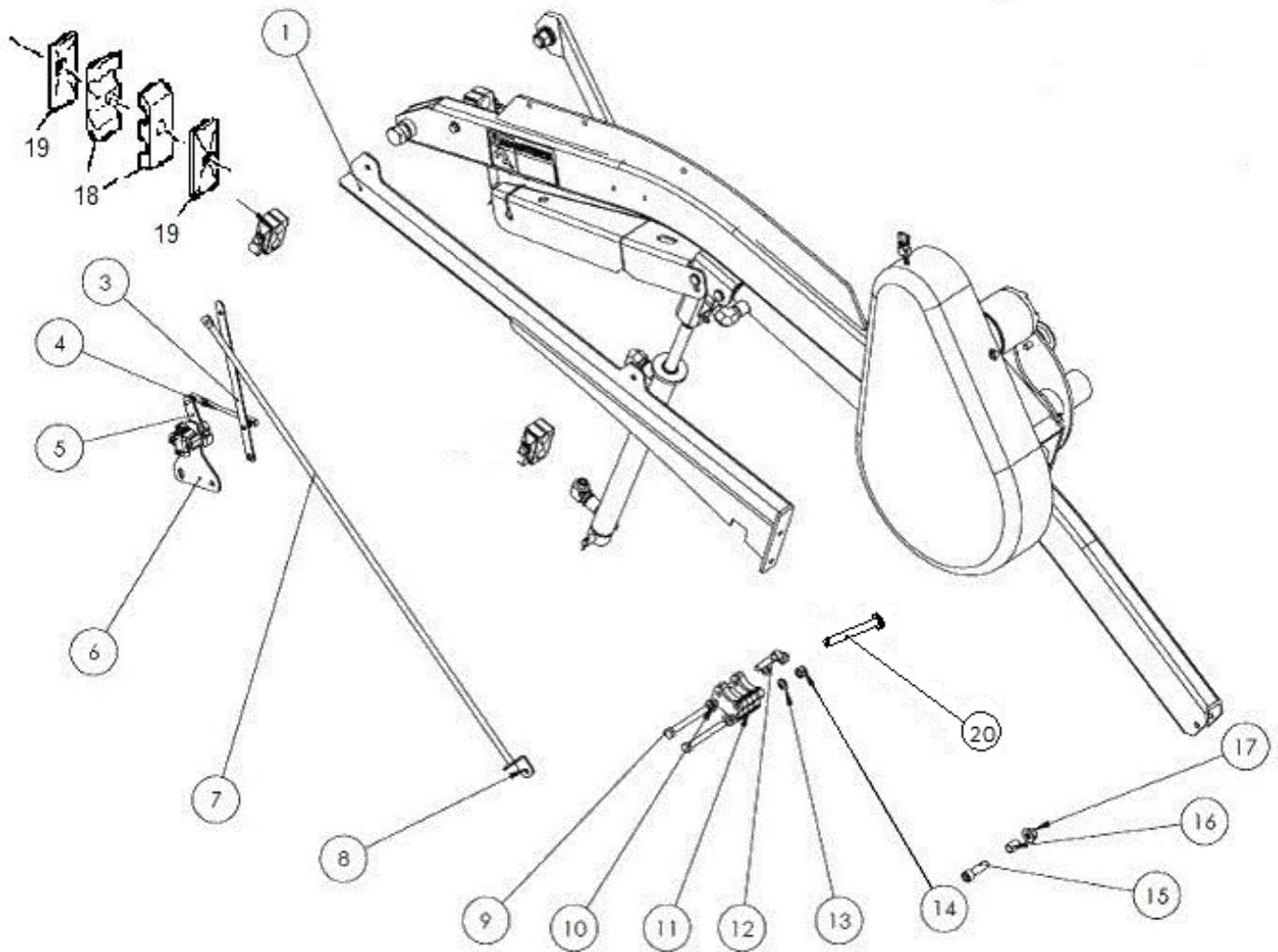


Haspelbefestigung Rechts / Reel Mounting Right
Premium Flow 618/620/622/625/630/635

Pos.	Bezeichnung	Description	Artikelnummer/ Part No.	Tech. Info	Menge/ Qty
1	Haspelrollwagen Rechts	Reel Cart	5ZN50460	618/620/622	1
	Haspelrollwagen Rechts	Reel Cart	5ZN50459	625/630/635	1
2	Splint	Cotter Pin	5ZN70001	3,2x25	4
3	Distanzhülse	Spacer	5ZN50328		8
4	Stützrolle mit Axialführung	Yoke Type Track Rollers	5ZN50122	NATV 15 PPA	4
5	Bolzen Haspelrollwagen	Pin Reel Cart	5ZN51024	15x85	4
	Bolzen Haspelrollwagen 35Ft	Pin Reel Cart	5ZN52045	635 from MY2015	4
6	Senkschraube	Counter Bolt	5ZN70034	M8x20	6
7	POM Führungsplatte	Guide	5ZN50455		2
8	Flanschmutter	Flange Nut	5ZN70005	M8	6
9	Haspelrollwagen komplett mit Steuerung rechts	Reel Cart RH	5ZN50190	Pos. 1-8 625/630 635 till MY2014	1
	Haspelrollwagen mit Steuerung rechts 35Ft		5ZN52274	Pos. 1,2,4-8 635 from MY2015	1
10	Haspelrollwagen komplett ohne Steuerung rechts	Reel Cart RH	5ZN50189	Pos. 1-8 618/620/622	1

Haspelarm / Reelarm

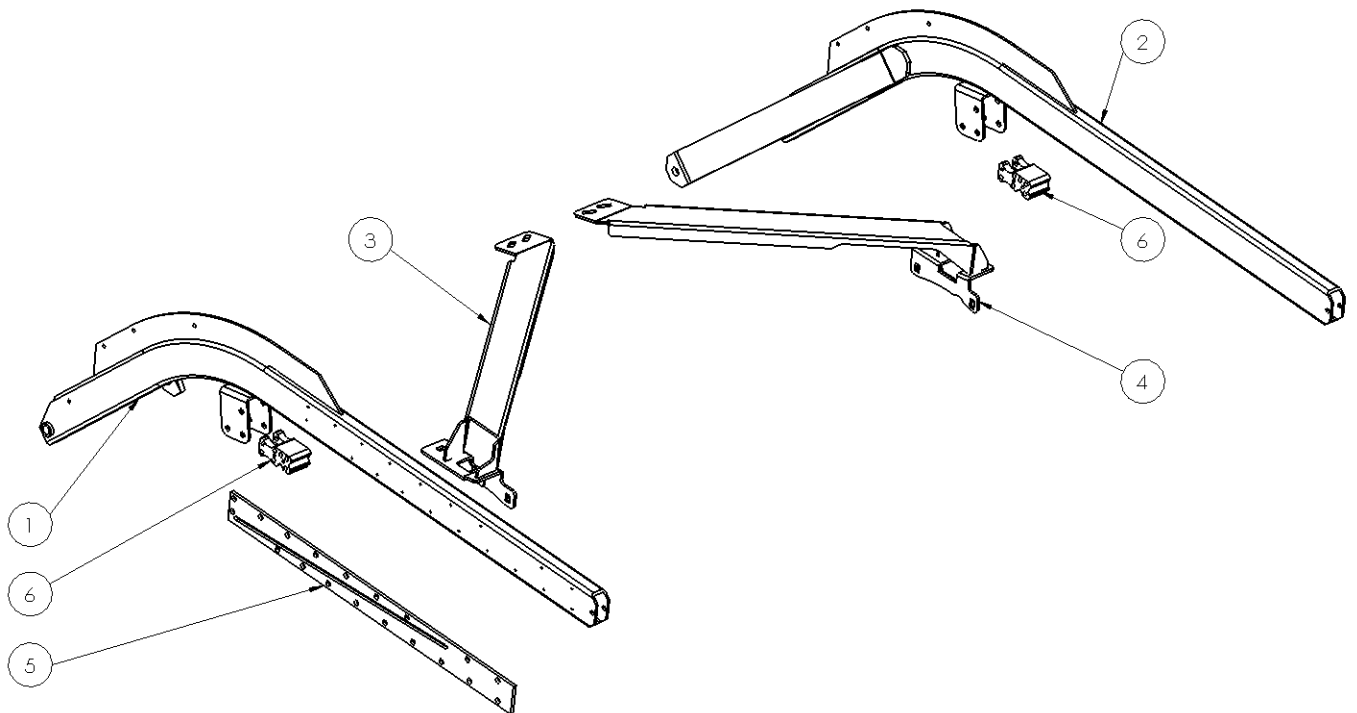
Premium Flow 618/620/622/625/630/635



Haspelarm / Reelarm
Premium Flow 618/620/622/625/630/635

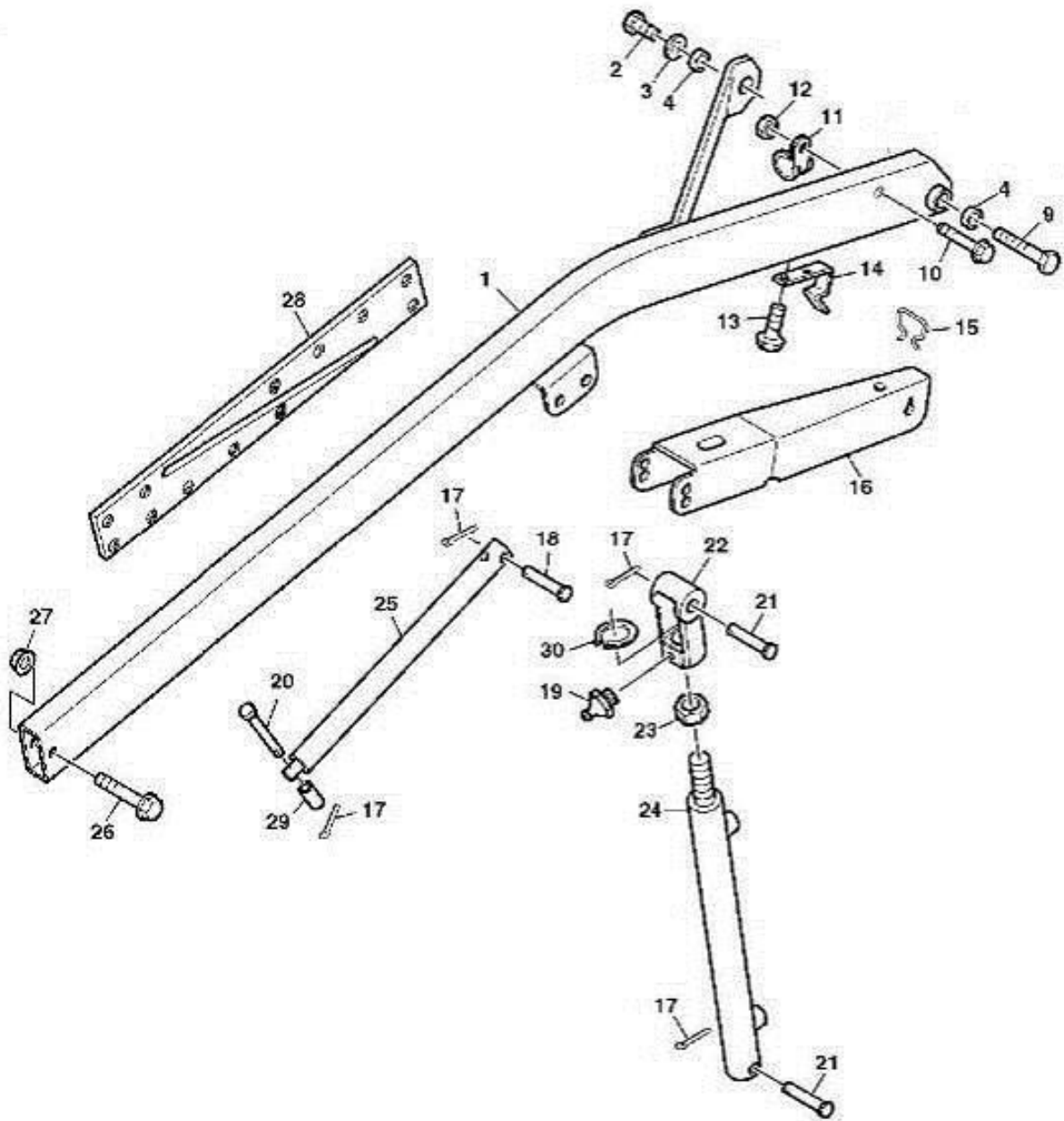
Pos.	Bezeichnung	Description	Artikelnummer/ Part No.	Tech. Info	Menge/ Qty.
1	Schlauchhalter	Hoses Support	5ZN50326		1
3	Übersetzungshebel für Haspelhorizontalpotentiometer	Lever for Potentiometer	5ZN50471		1
4	Einstellspindel	Ball Joint Connector	AH164153		4
5	Sensorhebel	Sensor Lever	5ZN50500		1
6	Potentiometer Halter	Bracket	5ZN50501		1
7	Potentiometer Gestänge	Tube	5ZN50323		1
8	Winkelhalter	Angle Holder	5ZN50840		1
9	Sechskantschraube	Screw	5ZN70052	M10x95	2
10	Scheibe	Washer	5ZN70338	10,5mm	1
11	Haspel Anschlussstück	Reel Connector	5ZN50118	618/620/622/ 625/630	1
	Haspel Anschlussstück	Reel Connector	5ZN51483	635	1
12	Innensechskantschraube	Screw	5ZN70175	M10x45	1
13	Scheibe	Washer	5ZN70074	10,5mm	1
14	Stopfmutter	Lock Nut	5ZN70021	M10	1
15	Innensechskantschraube	Screw	5ZN70070	M10x40	1
16	Distanzhülse	Spacer	5ZN50499		1
17	Flanschnutter	Flange Nut	5ZN70007	M10	1
18	Schlauchselle	Clamp	H122772		4
19	Platte	Plate	H112567		4
20	Bolzen	Pin Fastener	5ZN50191	10x80	1

Haspelarme / Reel Arms and Braces Premium Flow 635



Pos.	Bezeichnung	Description	Artikelnummer/ Part No.	Tech. Info	Menge/ Qty
1	Haspelarm Rechts	Reel Arm Right	5ZN51131	635	1
2	Haspelarm Links	Reel Arm Left	5ZN51127	635	1
3	Verstärkung Rechts	Brace Right	5ZN51468	635	1
4	Verstärkung Links	Brace Left	5ZN51474	635	1
5	Haspelhorizontal Potentiometer Führung	Guide	5ZN51419	635	1
6	Haspel Anschlussstück	Reel Connector	5ZN51483	635	2

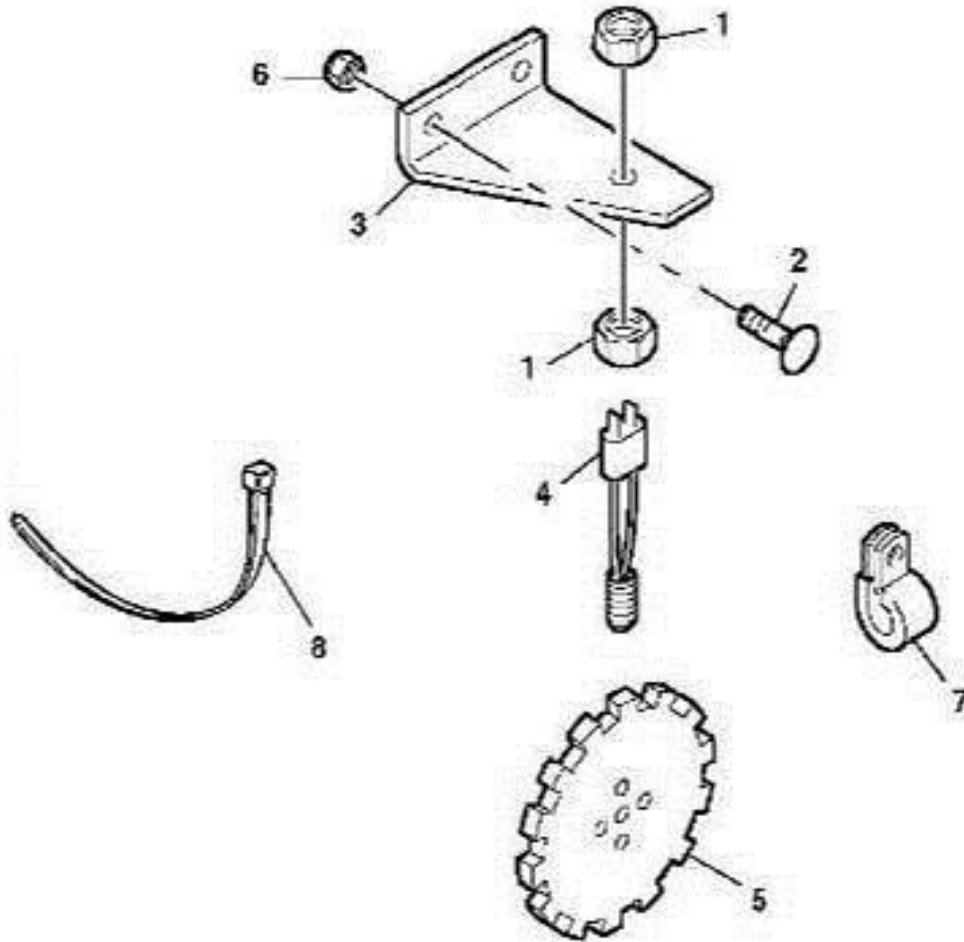
Haspelarm / Reelarm Premium Flow 618/620/622/625/630/635



Haspelarm / Reelarm
Premium Flow 618/620/622/625/630/635

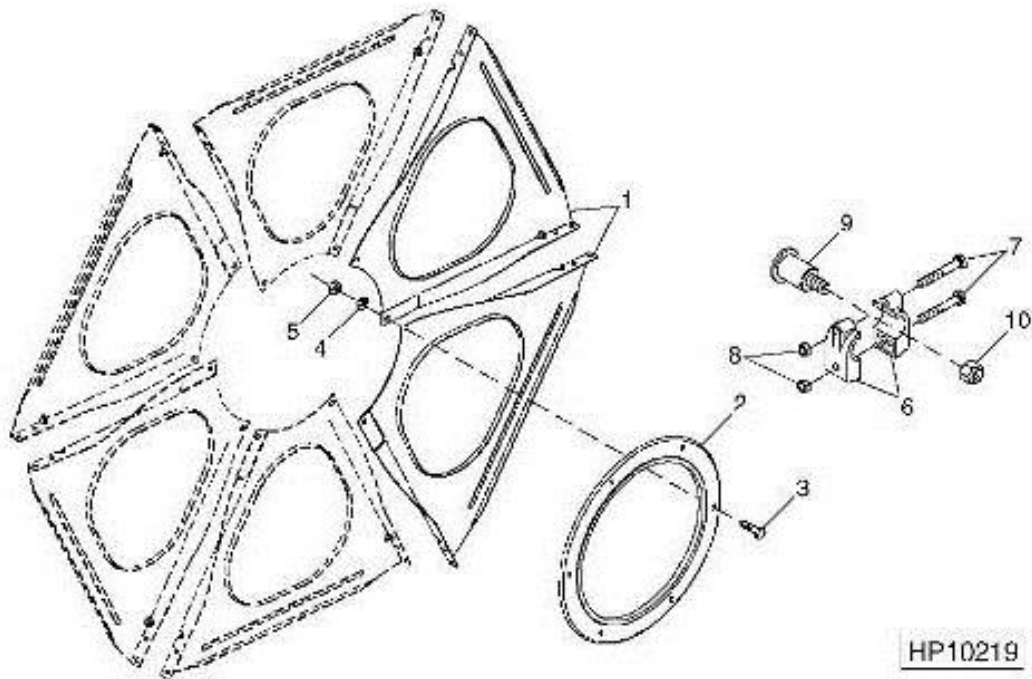
Pos.	Bezeichnung	Description	Artikelnummer/ Part No.	Tech. Info	Menge/ Qty.
1	Haspelarm Rechts 18-30ft	Reel Arm Right 18-30ft	5ZN50181	618/620/622/ 625/630	1
	Haspelarm Links 18-30ft	Reel Arm Left 18-30ft	5ZN50182	618/620/622/ 625/630	1
	Haspelarm Rechts 35ft	Reel Arm Right 35ft	5ZN51131	635	1
	Haspelarm Links 35ft	Reel Arm Left 35ft	5ZN51127	635	1
2	Sechskantschraube	Cap Screw	19M7409	M16x50	1
3	Scheibe	Washer	24M7241	17x34x4	2
4	Büchse	Bushing	H147956	20,6x25,4x11mm	2
5	Federring	Lock Washer	12M7069	16mm	1
6	Mutter	Nut	14M7276	M16	1
7	Mutter	Nut	14M7277	M20	1
8	Federring	Lock Washer	12M7070	20mm	1
9	Schraube	Screw	19M7963	M20x100	1
10	Schraube	Screw	19M7801	M8x60	1
11	Rohrschelle	Clamp	AH97280		1
12	Flanschmutter	Flange Nut	14M7298	M8	1
13	Schraube	Screw	37M7089	M6x12	2
14	Feder	Clip	H201097		1
15	Klammer	Retainer	H87239		1
16	Sicherung	Channel	H174444		1
17	Splint	Cotter Pin	11M7015		4
18	Bolzen	Pin Fastener	45M7045	12x90mm	1
19	Schmiernippel	Lubrication Fitting	JD7797		AR
20	Stift	Pin	H178756		1
21	Bolzen	Pin Fastener	45M7050	12x70mm	2
22	Verstellspindel	Bracket	Z103360	618/620/622/625/ 630	1
	Verstellspindel	Bracket	H166076	635	1
23	Mutter	Nut	14H793	3/4" 618/620/622/ 625/630	1
	Mutter	Nut	14H806	3/4" 635	1
24	Haspelhubzylinder LH	Reel Lift Cylinder lh	AH167316	618/620/622/625	1
	Haspelhubzylinder RH	Reel Lift Cylinder rh	AH167315	618/620/622/625	1
	Haspelhubzylinder LH	Reel Lift Cylinder lh	AH174990	630	1
	Haspelhubzylinder LH	Reel Lift Cylinder lh	5ZN51867	635	1
	Haspelhubzylinder RH	Reel Lift Cylinder rh	AH175720	630	1
	Haspelhubzylinder RH	Reel Lift Cylinder rh	AH175734	635	1
25	Haspelhorizontal- zylinder LH	Reel for and After lh	AH168144		1
	Haspelhorizontal- zylinder RH	Reel for and After rh	AH168143		1
26	Schraube	Screw	19M7807	M10x60	1
27	Stopfmutter	Lock Nut	14M7400	M10	1
28	Führung	Guide	5ZN51419	635	1
30	Seegerring	Snap Ring	40M1821	630	1
	Seegerring	Snap Ring	R107627	635	1

Haspeldrehzahlsensor/ Auto Reel Speed Premium Flow 618/620/622/625/630/635



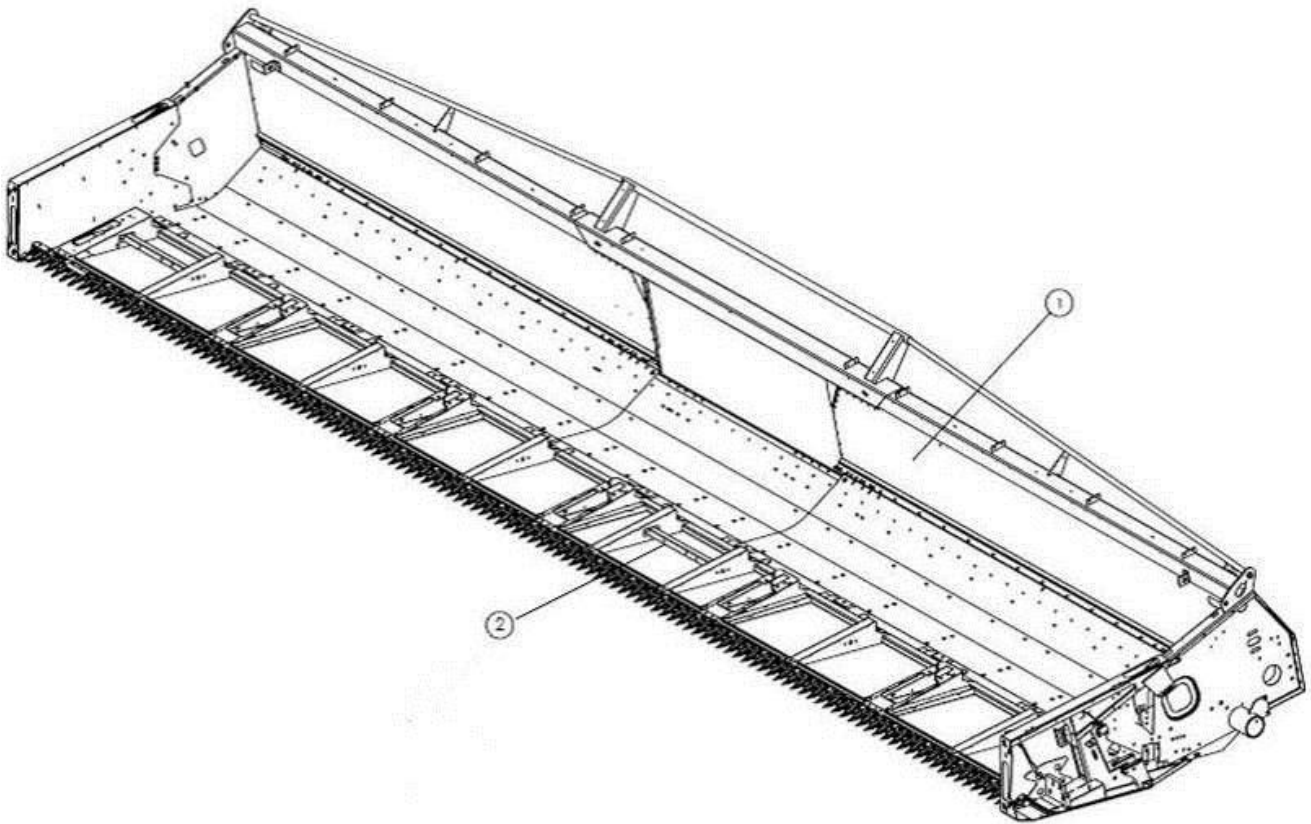
Pos.	Bezeichnung	Description	Artikelnummer/ Part No.	Tech. Info	Menge/ Qty.
1	Mutter	Nut	H104418	19,05mm	2
2	Schlossschraube	Bolt	03M7222	M6x20	2
3	Halter	Bracket	H128686		1
4	Sensor	Sensor	AH116104		1
5	Impulsgeber	Tone Wheel	H129438		1
6	Flanschmutter	Flange Nut	14M7303	M6	2
7	Rohrschelle	Clamp	H75541		1
8	Kabelbinder	Tie Band	H77698		5

Haspelstern / Reel Eccenter Spider Premium Flow 618/620/622/625/630/635



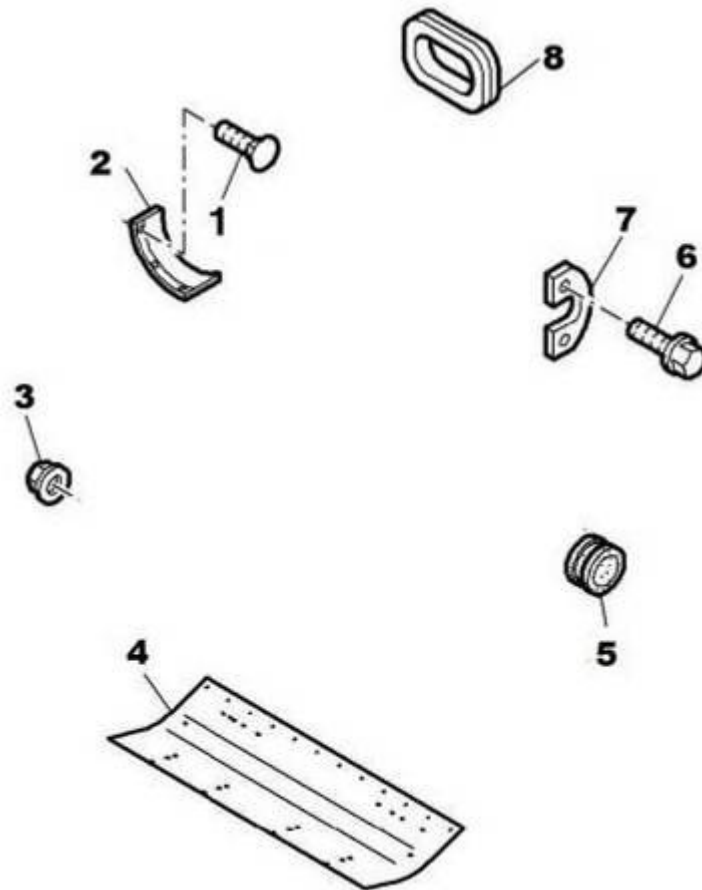
Pos.	Bezeichnung	Description	Artikelnummer/ Part No.	Tech. Info	Menge/ Qty.
1	Haspelstern Segmente	Shield	H175610		6
2	Ring	Ring	H175744		1
3	Sechskantschraube	Cap Screw	19M7139		6
4	Federring	Lock Washer	12M7065	8mm	6
5	Mutter	Nut	14M7273	M8	6
6	Klemmhälfte	Half Clamp	H175603		12
7	Sechskantschraube	Screw	19M8321	M6x45	12
8	Stoppmutter	Lock Nut	H168961	M6	12
9	Spezialschraube	Screw	H175609		6
10	Stoppmutter	Lock Nut	14M7168		6
11	Schutz	Shield	H175747		6

Grundrahmen 18-30ft / Frame 18-30ft
 Premium Flow 618/620/622/625/630



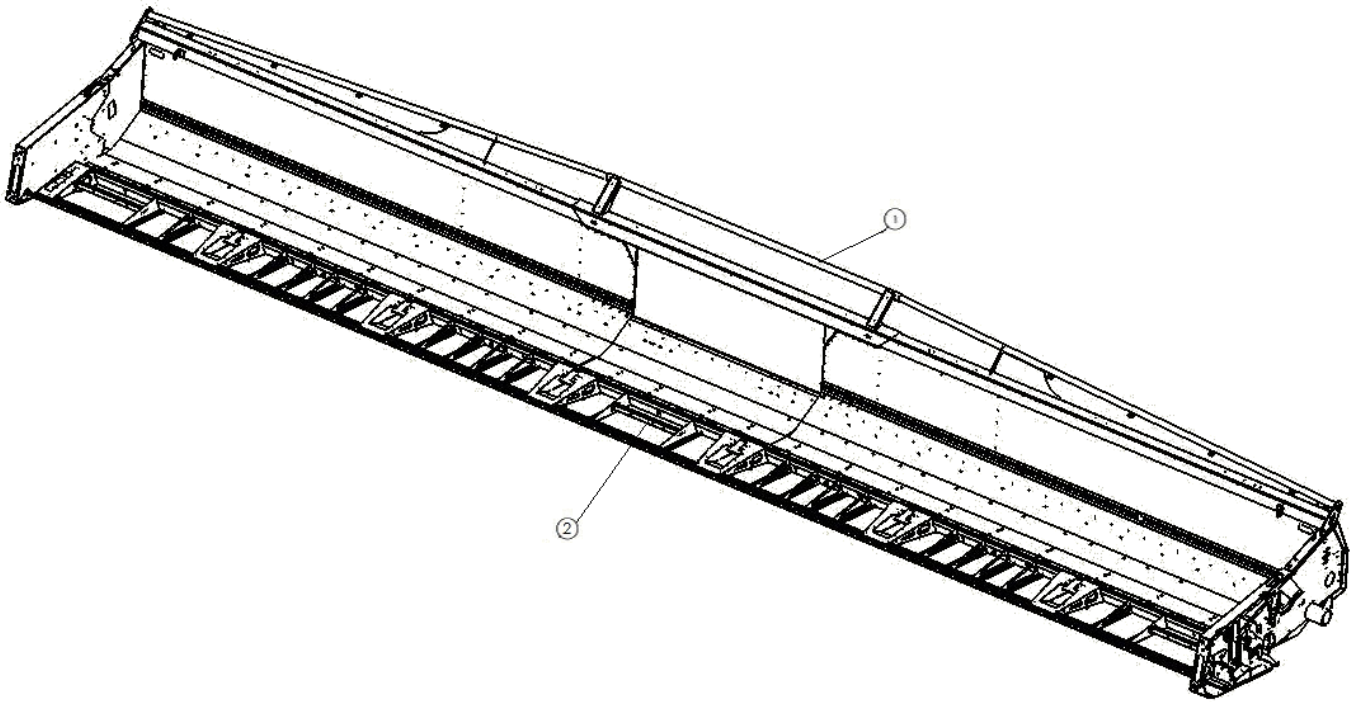
Pos.	Bezeichnung	Description	Artikelnummer/ Part No.	Tech. Info	Menge/ Qty.
1	Grundrahmen 18 ft	Frame 18 ft	5ZN51801	618	1
1	Grundrahmen 20 ft	Frame 20 ft	5ZN51802	620	1
1	Grundrahmen 22 ft	Frame 22 ft	5ZN51803	622	1
1	Grundrahmen 25 ft	Frame 25 ft	5ZN51804	625	1
1	Grundrahmen 30 ft	Frame 30 ft	5ZN51805	630	1
2	Strebe Tastkufenhalter	Support	5ZN50131	618/620/622/625/630	AR

Zubehör Rahmen/ Frame Equipment Premium Flow 618/620/622/625/630/635



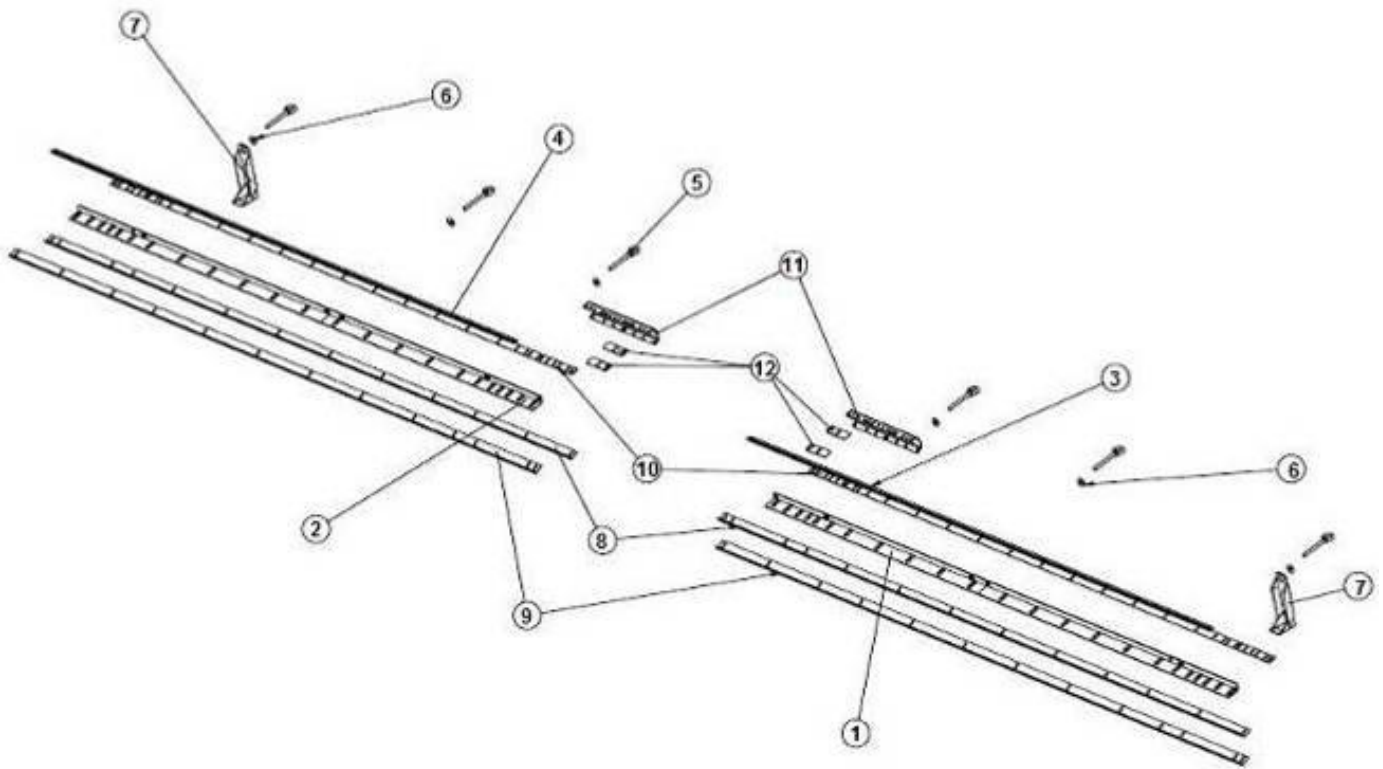
Pos.	Bezeichnung	Description	Artikelnummer/ Part No.	Tech. Info	Menge/ Qty.
1	Bolzen	Bolt	03M7184	M8x20	AR
2	Abweiser	Deflector	H170596		AR
3	Flanschmutter	Flange Nut	14M7298	M8	AR
4	Boden	Floor	H166968		AR
5	Gummidichtung	Grommet	A25647		2
6	Schraube	Screw	19M7784	M10x20	AR
7	Platte	Plate	H137143		2
8	Gummidichtung	Grommet	R20759		1

Grundrahmen 35ft / frame 35ft
Premium Flow 635



Pos.	Bezeichnung	Description	Artikelnummer/ Part No.	Tech. Info	Menge/ Qty.
1	Grundrahmen 35 ft	Frame 35 ft	5ZN51834	635	1
2	Strebe Tastkufenhalter	Support	5ZN50131	636	3

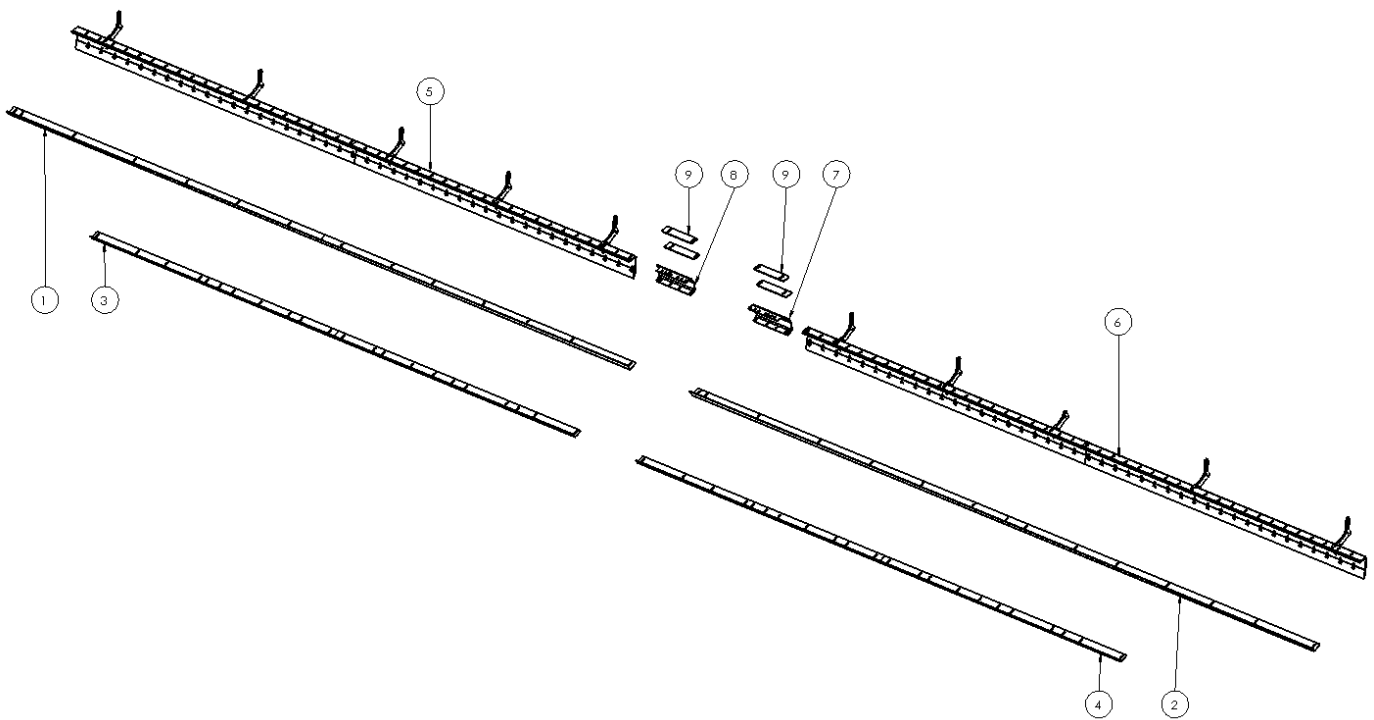
Abstreifer / strippers
Premium Flow 618/620/622/625/630



Abstreifer / strippers
Premium Flow 618/620/622/625/630

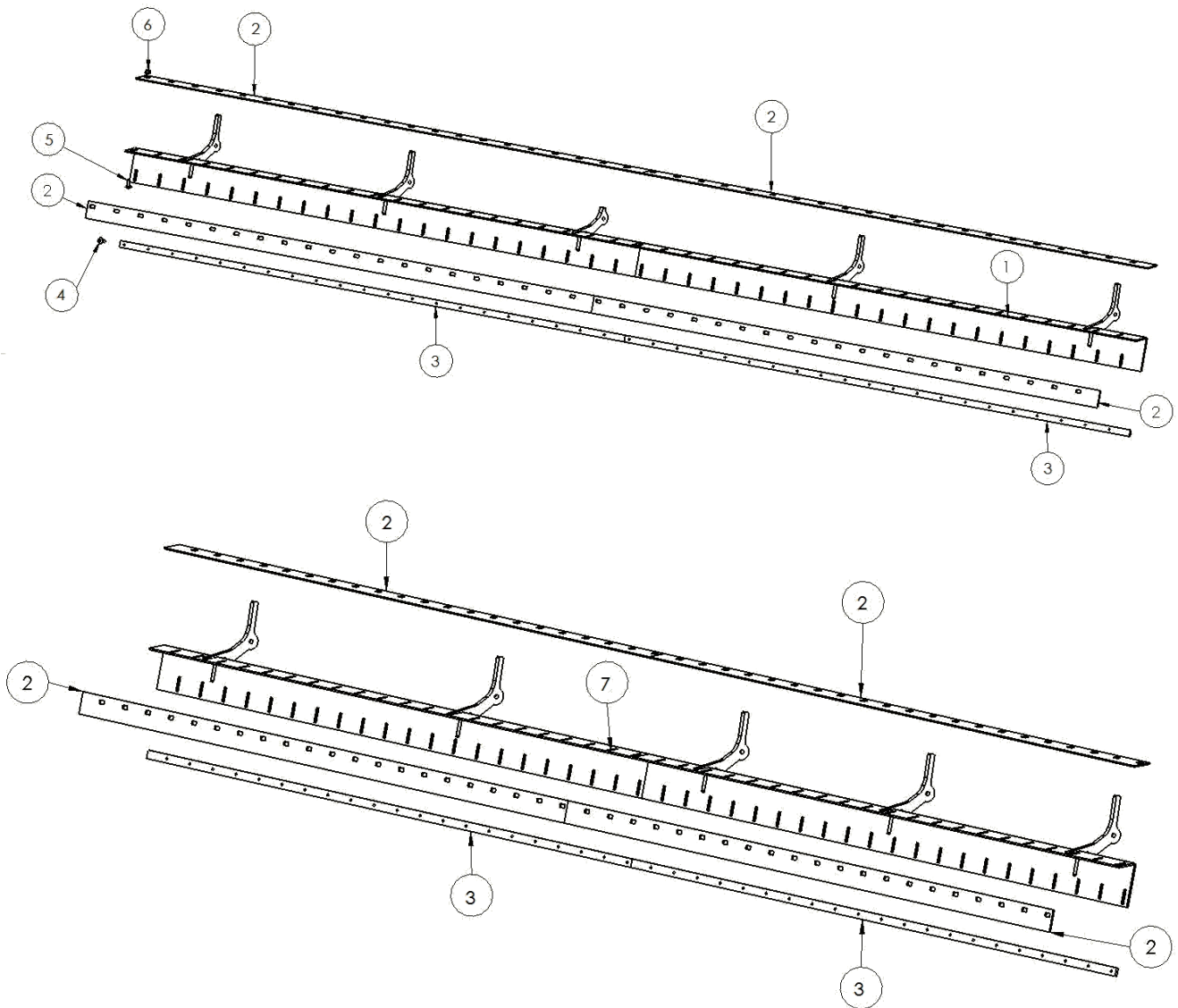
Pos.	Bezeichnung	Description	Artikelnummer/ Part No.	Tech. Info	Menge/ Qty.
1	Abstreifer 18ft links	Top Stripper 18ft left	5ZN50399	618	1
	Abstreifer 20ft links	Top Stripper 20ft left	5ZN50400	620	1
	Abstreifer 22ft links	Top Stripper 22ft left	5ZN50401	622	1
	Abstreifer 25ft links	Top Stripper 25ft left	5ZN50402	625	1
	Abstreifer 30ft links	Top Stripper 30ft left	5ZN50403	630	1
2	Abstreifer 18ft rechts	Top Stripper 18ft Right	5ZN50405	618	1
	Abstreifer 20ft rechts	Top Stripper 20ft Right	5ZN50406	620	1
	Abstreifer 22ft rechts	Top Stripper 22ft Right	5ZN50407	622	1
	Abstreifer 25ft rechts	Top Stripper 25ft Right	5ZN50408	625	1
	Abstreifer 30ft rechts	Top Stripper 30ft Right	5ZN50409	630	1
3	Haltewinkel 18ft links	Holding Angle 18ft Left	5ZN50411	618	1
	Haltewinkel 20ft links	Holding Angle 20ft Left	5ZN50412	620	1
	Haltewinkel 22ft links	Holding Angle 22ft Left	5ZN50413	622	1
	Haltewinkel 25ft links	Holding Angle 25ft Left	5ZN50414	625	1
	Haltewinkel 30ft links	Holding Angle 30ft Left	5ZN50415	630	1
4	Haltewinkel 18ft rechts	Holding Angle 18ft Right	5ZN50417	618	1
	Haltewinkel 20ft rechts	Holding Angle 20ft Right	5ZN50418	620	1
	Haltewinkel 22ft rechts	Holding Angle 22ft Right	5ZN50419	622	1
	Haltewinkel 25ft rechts	Holding Angle 25ft Right	5ZN50420	625	1
	Haltewinkel 30ft rechts	Holding Angle 30ft Right	5ZN50421	630	1
5	Augenschraube	Eye Bolt	5ZN50383	M16x160	6
6	Gummischeibe	Rubberwasher	5ZN50429	15x45x4	6
7	Abstreiferhalter Außen	Stripper Holder Outside	5ZN50426		2
8	1 Bodenabstreifer 18ft	1 Floor Stripper 18ft	H204511	618	2
	1 Bodenabstreifer 20ft	1 Floor Stripper 20ft	H204512	620	2
	1 Bodenabstreifer 22ft	1 Floor Stripper 22ft	5ZN51040	622	2
	1 Bodenabstreifer 25ft	1 Floor Stripper 25ft	5ZN51120	625	2
	1 Bodenabstreifer 30ft	1 Floor Stripper 30ft	5ZN51039	630	2
9	2 Bodenabstreifer 22ft	2 Floor Stripper 22ft	5ZN51117	622	2
	2 Bodenabstreifer 25ft	2 Floor Stripper 25ft	H218570	625	2
	2 Bodenabstreifer 30ft	2 Floor Stripper 30ft	H218314	630	2
10	Abstreifer Oben 18ft	Top Stripper 18ft	H223206	618	2
	Abstreifer Oben 20ft	Top Stripper 20ft	H223207	620	2
	Abstreifer Oben 22ft	Top Stripper 22ft	H223208	622	2
	Abstreifer Oben 25ft	Top Stripper 25ft	H223209	625	2
	Abstreifer Oben 30ft	Top Stripper 30ft	H223210	630	2
11	Abstreiferverlängerung	Stripper Extension	H223175		2
	Abstreiferverlängerung links (S Mährescher)	Stripper Extension Left (S Combine)	5ZN51522	S660 / S670/ S680 / S690	2
	Abstreiferverlängerung rechts (S Mährescher)	Stripper Extension Right (S Combine)	5ZN51523	S660 / S670/ S680 / S690	2
12	Abstreiferverlängerung kurz (6 Schüttler)	Stripper Extension Short (6 Walker)	5ZN50422	W650 /W660/ T660/ T670	4
	Abstreiferverlängerung lang (5 Schüttler)	Stripper Extension Long (5 Walker)	5ZN50423	W540 /W550/ T550 / T560	4
	Abstreiferverlängerung mittig (S Mährescher)	Stripper Extension Middle (S Combine)	5ZN51640	S660 / S670/ S680 / S690	4

Abstreifer / strippers Premium Flow 635 till MY2014



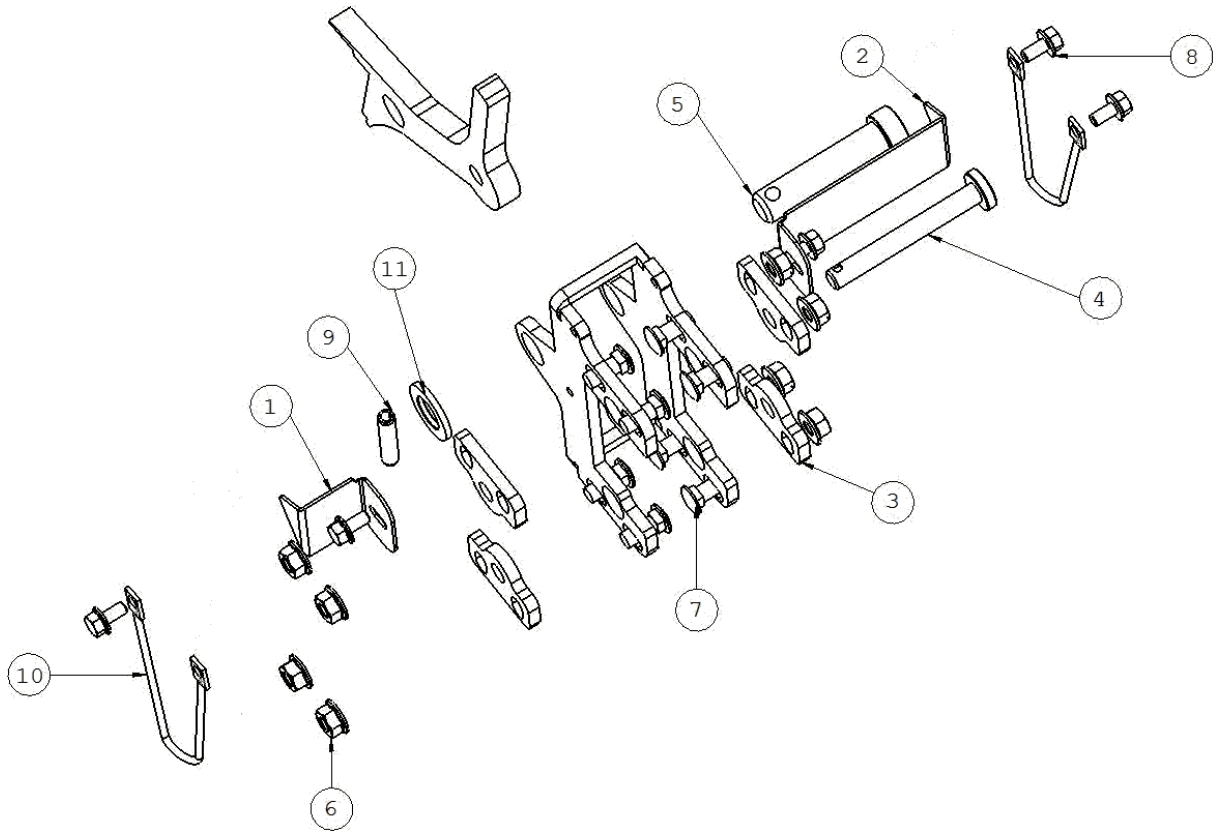
Pos.	Bezeichnung	Description	Artikelnummer/ Part No.	Tech. Info	Menge/ Qty.
1	2 Bodenabstreifer 35ft Rechts	Floor Stripper rh 35Ft	5ZN51532	635	1
2	2 Bodenabstreifer 35ft Links	Floor Stripper lh 35Ft	5ZN51261	635	1
3	1 Bodenabstreifer 35ft Rechts	Front Floor Stripper rh 35Ft	5ZN51533	635	1
4	1 Bodenabstreifer 35ft Links	Front Floor Stripper lh 35Ft	5ZN51534	635	1
5	Klappabstreifer 35ft Rechts Komplett	Flap Stripper rh Complete	5ZN51507	635	1
6	Klappabstreifer 35ft Links Komplett	Flap Stripper lh Complete	5ZN51514	635	1
7	Abstreiferverlängerung links (S Mährescher) till MY2014	Stripper Extension Left (S Combine)	5ZN51522	S660/S670/ S680/S690	1
	Abstreiferverlängerung links (S Mährescher) from MY2015	Stripper Extension Left (S Combine)	5ZN52053	S660/S670/ S680/S690	1
8	Abstreiferverlängerung rechts (S Mährescher) till MY2014	Stripper Extension Right (S Combine)	5ZN51523	S660/S670/ S680/S690	1
	Abstreiferverlängerung rechts (S Mährescher) from MY2015	Stripper Extension Right (S Combine)	5ZN52054	S660/S670/ S680/S690	1
9	Abstreiferverlängerung mittig (S Mährescher)	Stripper Extension Middle (S Combine)	5ZN51640	S660/S670/ S680/S690	4

Klappabstreifer links und rechts / Lap Stripper lh and rh Premium Flow 635 till MY2014



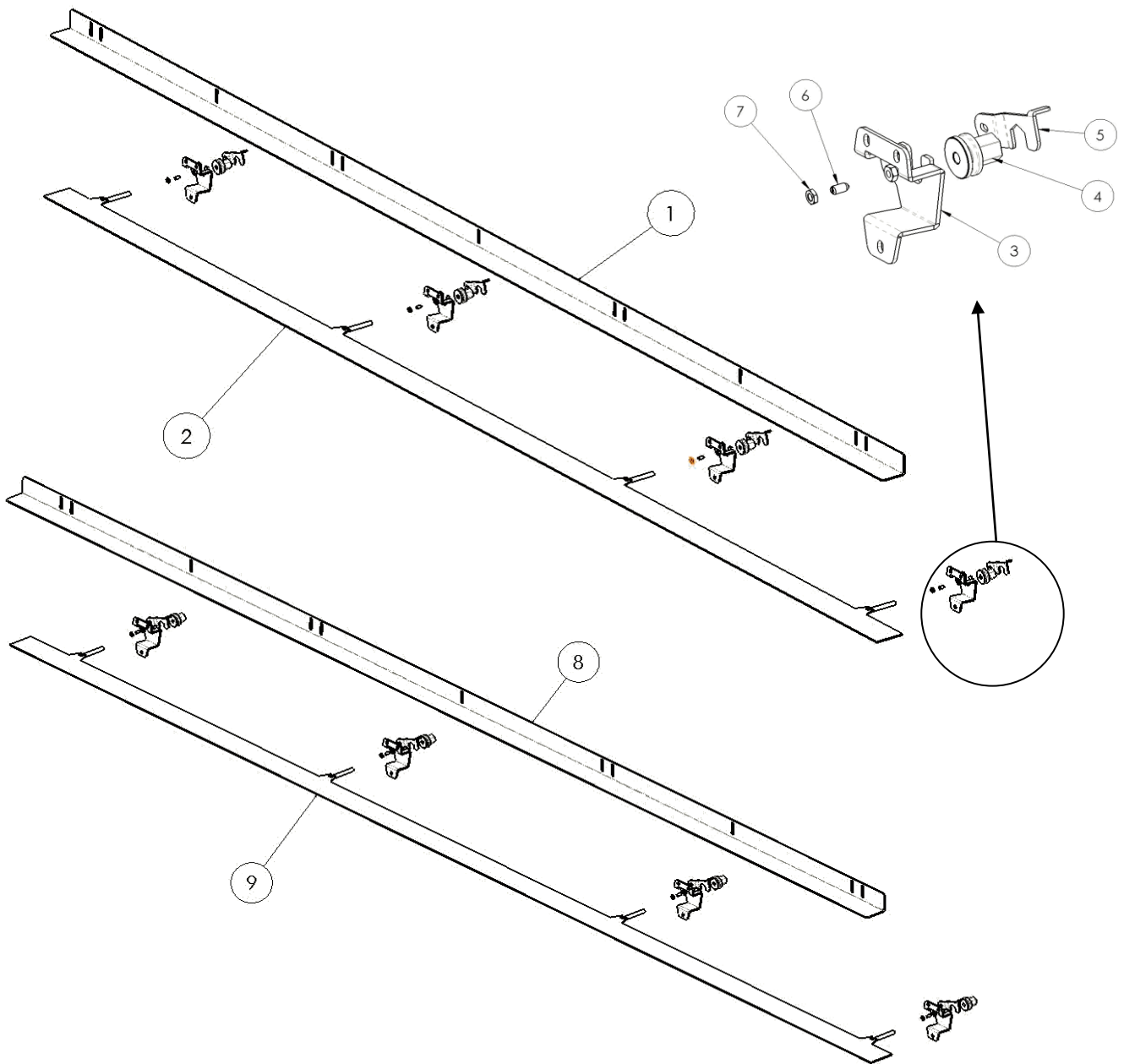
Pos.	Bezeichnung	Description	Artikelnummer/ Part No.	Tech. Info	Menge/ Qty.
1	Klappabstreifer Links	Flap Stripper Left	5ZN51508		1
2	Einstellplatte Lang	Adjusting Plate Long	5ZN51511		8
3	Verbindungsplatte	Connecting Plate	5ZN51513		4
4	Schlossschraube	Button Head Bolt	5ZN70248	M8x12	1
5	Schlossschraube	Flat Head Bolt	03M7184	M8x20	1
6	Flansch Mutter	Flange Nut	5ZN090480	M8	1
7	Klappabstreifer Rechts	Flap Stripper Right	5ZN51503		1

Klappabstreifer Lagerung / Counter Bearing Flap Stripper Premium Flow 635 till MY2014



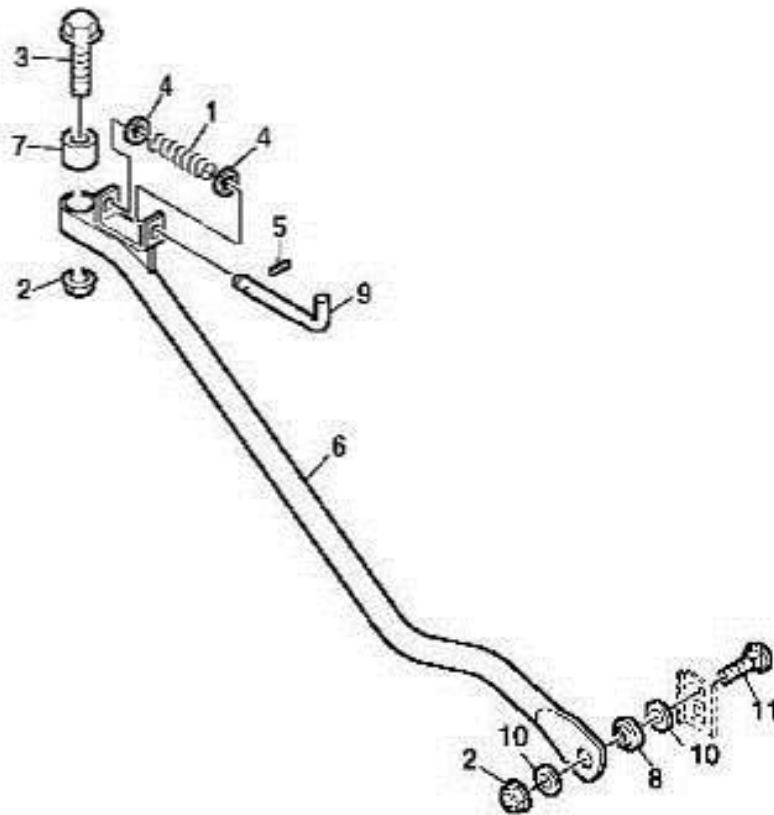
Pos.	Bezeichnung	Description	Artikelnummer/ Part No.	Tech. Info	Menge/ Qty.
1	Abdeckung Lang	Cover Plate Short	5ZN51501		10
2	Abdeckung Kurz	Cover Plate Long	5ZN51500		10
3	Verriegelungsplatte	Locking Plate	5ZN51499		40
4	Verriegelungsbolzen	Locking Pin	5ZN51502		10
5	Drehpunkt Bolzen	Pivot Pin	5ZN51359		10
6	Stoppmutter	Locknut	5ZN70103	M8	80
7	Sechskantschraube	Flat Head Bolt	5ZN70060	M8x20	80
8	Sechskantschraube	Bolt	5ZN70614	M6x10	40
9	Spannstift	Roll Pin	5ZN70171	7x40	10
10	Sicherungskette	Chain	5ZN51503		20
11	Scheibe	Washer	5ZN70364	15mm	AR

Klappabstreifer links und rechts / Lap Stripper lh and rh Premium Flow 635 from MY2015



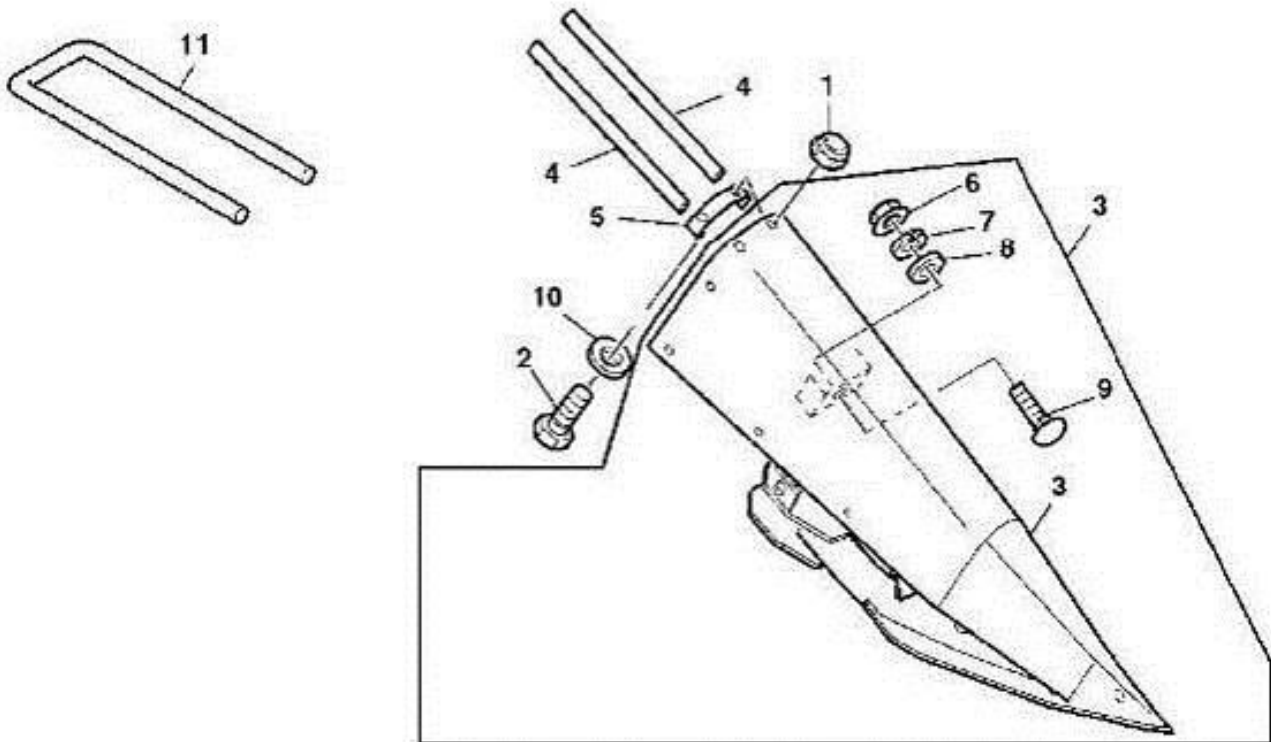
Pos.	Bezeichnung	Description	Artikelnummer/ Part No.	Tech. Info	Menge / Qty.
1	Haltewinkel Abstreifer rechts	Holding angle 35Ft right	5ZN52081		1
2	Abstreifer kpl. Rechts	Stripper right	5ZN52086		1
3	Gegenlager Verstellmutter Abstreifer	Support adjusting nut	5ZN52314		8
4	Verstellmutter Abstreifer	Adjusting nut	5ZN52175		8
5	Sicherungsriegel Verstellmutter	Bracket adjusting nut	5ZN52177		8
6	Federndes Druckstück		5ZN50382	GN 615-M8-KS	8
7	Sechskantmutter M8	Nut	5ZN70005	M8	8
8	Haltewinkel Abstreifer links	Holding angle 35Ft left	5ZN52082		1
9	Abstreifer kpl. links	Stripper left	5ZN52083		1

Halteung Halmteiler / Holder Divider Premium Flow 618/620/622/625/630/635



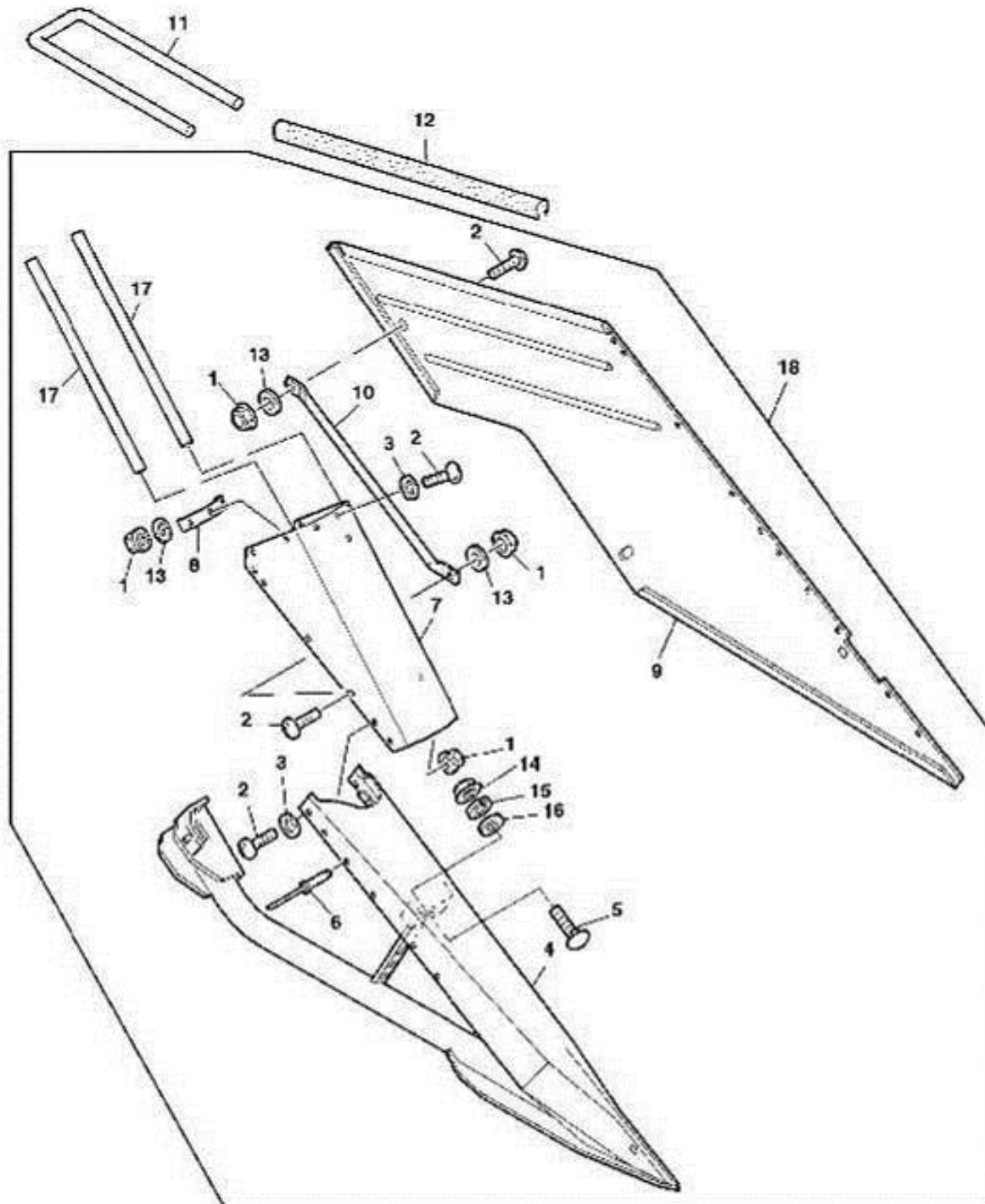
Pos.	Bezeichnung	Description	Artikelnummer/ Part No.	Tech. Info	Menge/ Qty.
1	Druckfeder	Compression Spring	124424		1
2	Kontermutter	Lock Nut	14M7401	M12	2
3	Schraube	Screw	19M7818	M12x80	1
4	Scheibe	Washer	24M7049	17,5x30x3mm	2
5	Spannstift	Spring Pin	34M3853	4x32mm	1
6	Abstützung	Support	AH166509		1
7	Buchse	Bushing	H173173		1
8	Mutter	Nut	Z79399		1
9	Stift	Pin	H173180		1
10	Scheibe	Washer	24H1347	17/32"x2"x0,194"	2
11	Bolzen	Bolt	03M7201	M12x45	1

Halmteiler kurz / Short Divider Premium Flow 618/620/622/625/630/635



Pos.	Bezeichnung	Description	Artikelnummer/ Part No.	Tech. Info	Menge/ Qty.
1	Kontermutter	Lock Nut	14M7528	M6	2
2	Schraube	Screw	21M7455	M6x20	2
3	Halmteiler	Crop Divider	AH166510	LH	1
	Halmteiler	Crop Divider	AH166512	RH	1
4	Stift	Pin	Z44896		2
5	Abstützung	Support	Z79010		1
6	Mutter	Nut	14M7274	M10	1
7	Sicherungsscheibe	Lock Washer	12M7013	10,2mm	1
8	Scheibe	Washer	24M7040	11x20x2mm	1
9	Bolzen	Bolt	03M7085	M10x30	1
10	Scheibe	Washer	24M7035	6,4x18x1,6mm	2
11	Rohr	Tube	Z77358		1

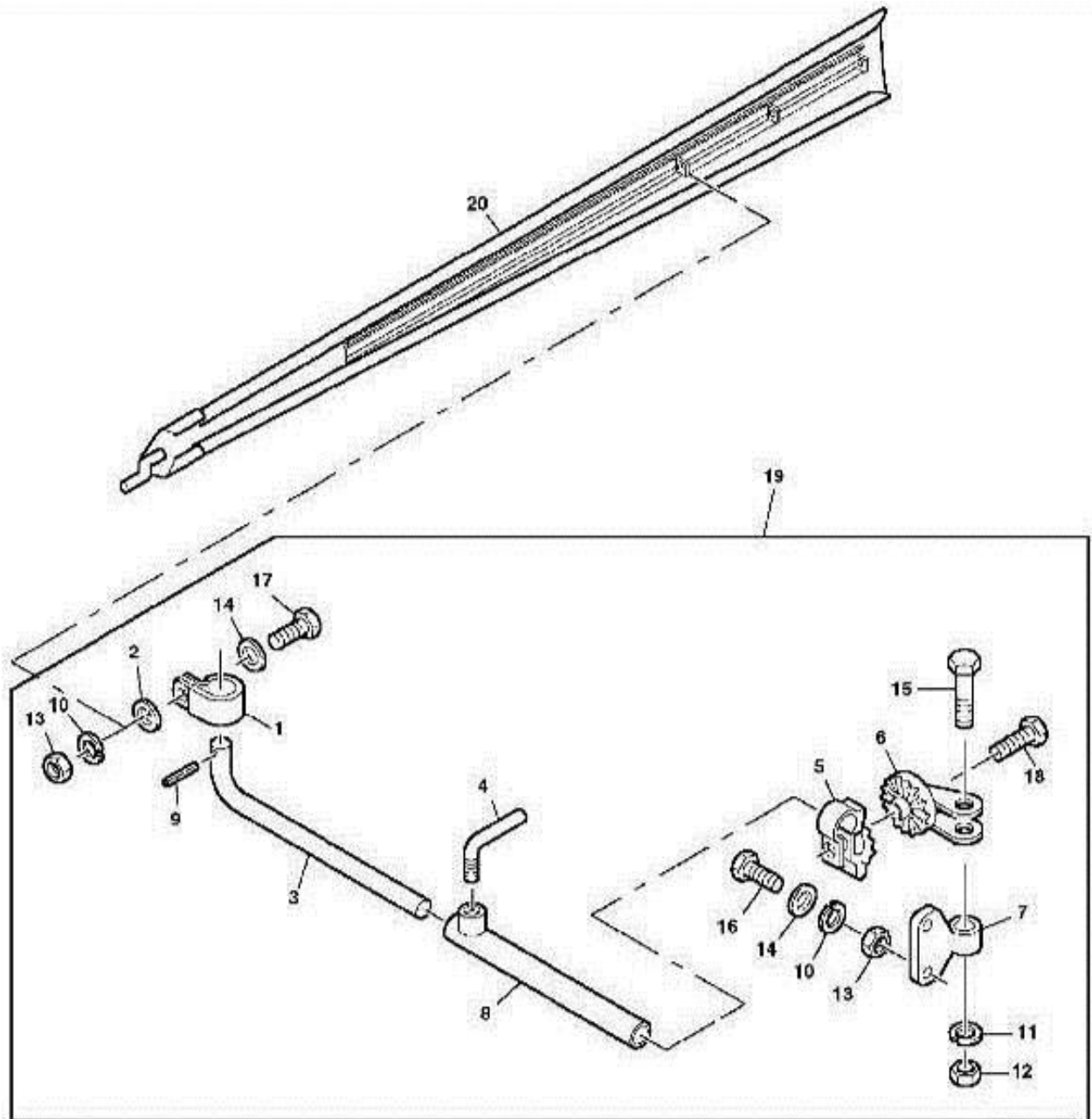
Halmteiler Lang / Long Divider Premium Flow 618/620/622/625/630/635



Halmteiler Lang / Long Divider
Premium Flow 618/620/622/625/630/635

Pos.	Bezeichnung	Description	Artikelnummer/ Part No.	Tech. Info	Menge/ Qty.
1	Kontermutter	Lock Nut	14M7528	M6	AR
2	Schraube	Screw	21M7455	M6x20	AR
3	Scheibe	Washer	24M7100	6,6x22x2mm	6
4	Halmteiler	Crop Divider	AH166511	LH	1
	Halmteiler	Crop Divider	AH166513	RH	1
5	Bolzen	Bolt	03M7085	M10x30	1
6	Niet	Rivet	Z47466		8
7	Abweiser	Deflector	Z75641		1
8	Abstützung	Support	Z79010		1
9	Niet	Deflector	Z77059		1
10	Rohr	Tube	Z100889		1
11	Rohr	Tube	Z77358		1
12	Abdeckung	Guard	Z40677		AR
13	Scheibe	Washer	24M7035	6,4x18x1,6	AR
14	Mutter	Nut	14M7274	M10	1
15	Sicherungsscheibe	Lock Washer	12M7013	10,2mm	1
16	Scheibe	Washer	24M7040	11x20x2mm	1
17	Stift	Pin	Z44896		2
18	Halmteiler	Crop Divider	AH170867	LH	1
	Halmteiler	Crop Divider	AH170869	RH	1

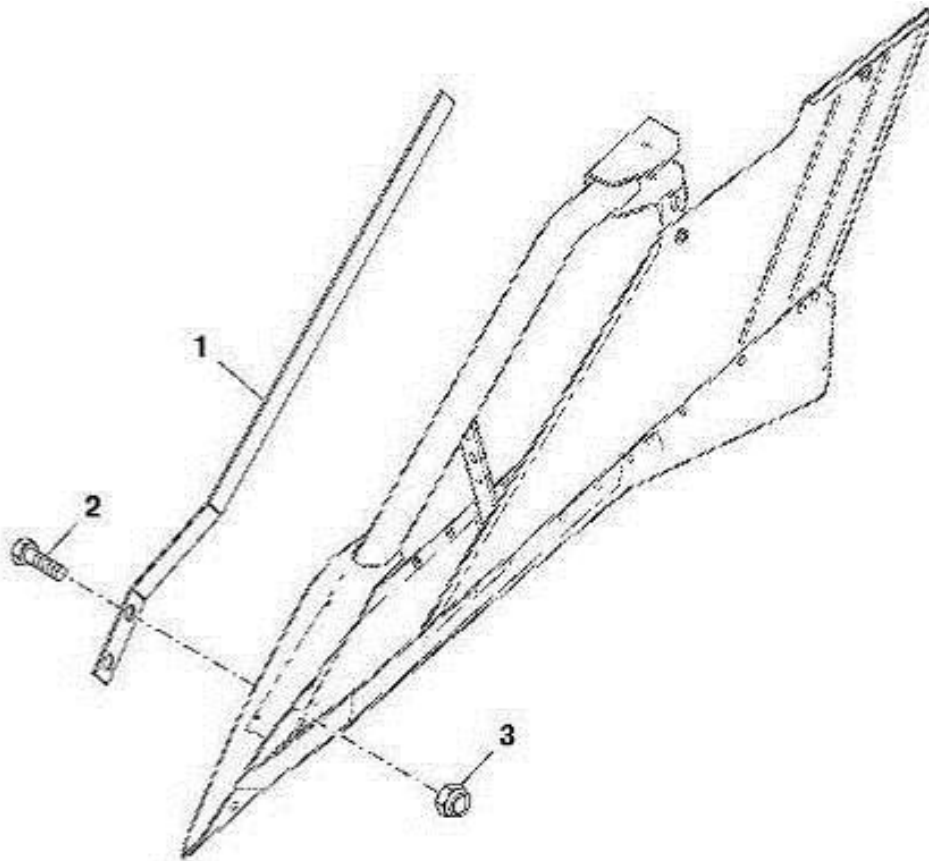
Abweiser Außen / Outside Deflector
Premium Flow 618/620/622/625/630/635



Abweiser Außen / Outside Deflector
Premium Flow 618/620/622/625/630/635

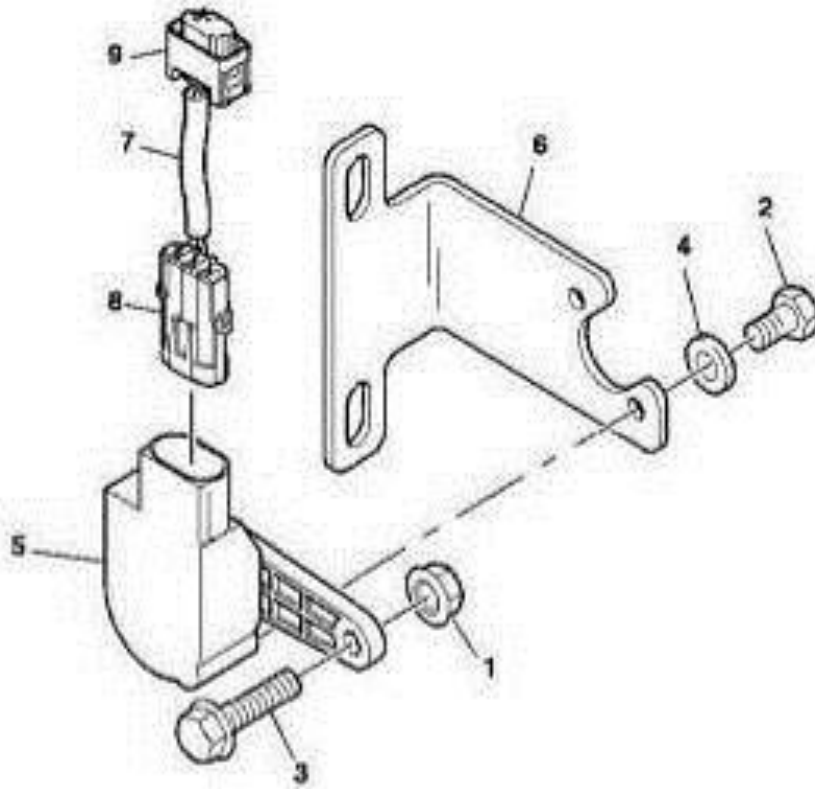
Pos.	Bezeichnung	Description	Artikelnummer/ Part No.	Tech. Info	Menge/ Qty.
1	Bügel	Clamp	Z22324		1
2	Scheibe	Washer	Z22325		1
3	Stange	Rod	Z22323		1
4	Gewindestift	Set Screw	Z21294		1
5	Einstellvorrichtung	Adjuster	Z10174		1
6	Einstellvorrichtung	Adjuster	Z10173		1
7	Halter	Holder	Z10247		1
8	Einstellvorrichtung	Adjuster	AZ12261		1
9	Federstecker	Cotter Pin	11M7020	4x22mm	1
10	Sicherungsscheibe	Lock Washer	12M7013	10,2mm	3
11	Sicherungsscheibe	Lock Washer	12M7014	12mm	1
12	Mutter	Nut	14M7031	M12	1
13	Mutter	Nut	14M7140	M10	3
14	Scheibe	Washer	24M7040	11x20x2mm	3
15	Kopfschraube	Cap Screw	19M7331	M12x65	1
16	Kopfschraube	Cap Screw	19M7169	M10x35	2
17	Kopfschraube	Cap Screw	19M7167	M10x25	1
18	Kopfschraube	Cap Screw	19M7389		1
19	Arretierung	Retainer	AZ12997		1
20	Abweiser	Deflector	AZ26955		1

Abweiser Innen / Inner Deflector
 Premium Flow 618/620/622/625/630/635



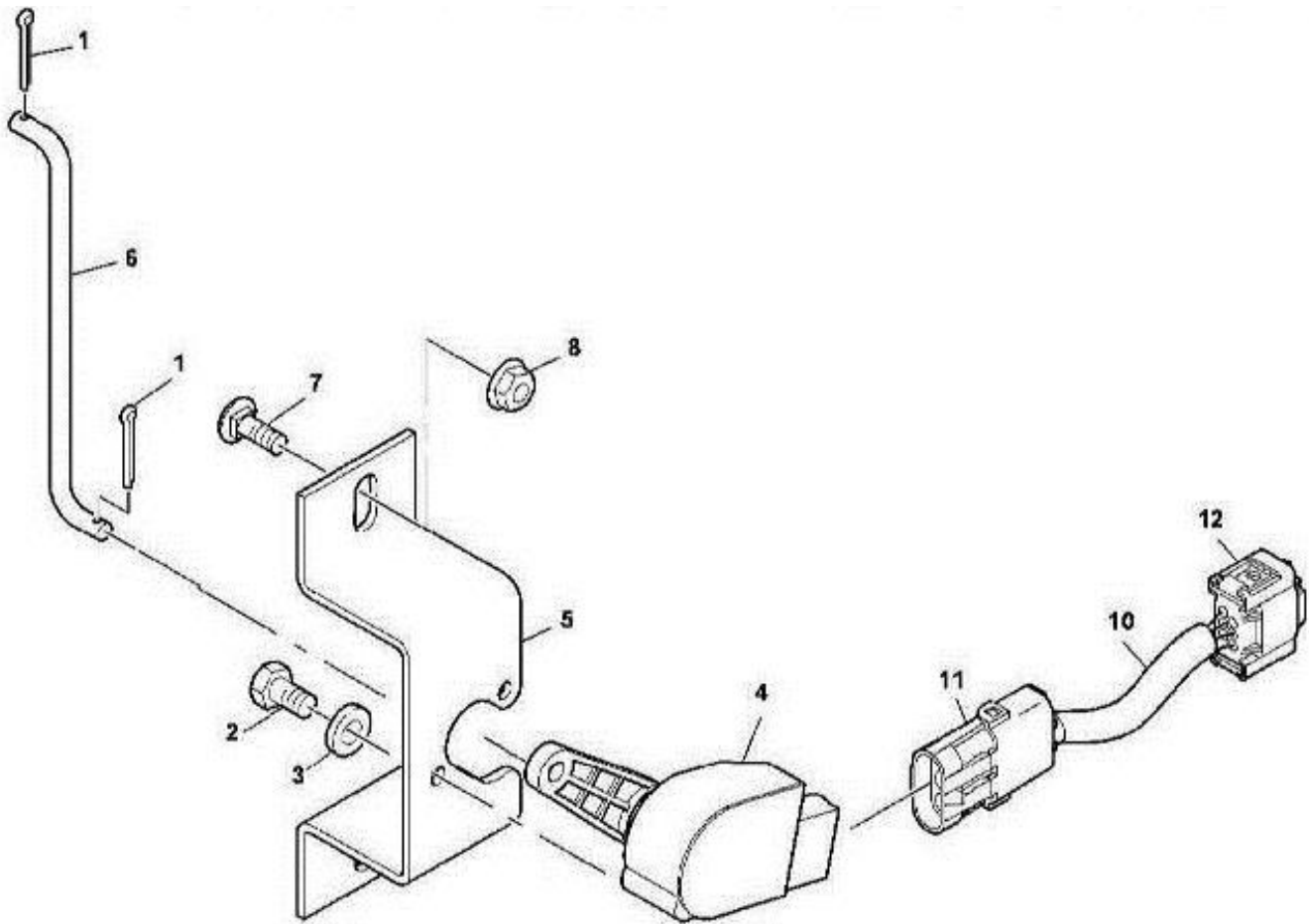
Pos.	Bezeichnung	Description	Artikelnummer/ Part No.	Tech. Info	Menge/ Qty.
1	Halmteiler	Crop Divider	HXE12755		2
2	Schraube	Screw	19M7843	M16x35	4
3	Flanschmutter	Flange Nut	14M7291	M16	4

Haspelhorizontal Sensor / Reel Horizontal Sensor Premium Flow 618/620/622/625/630/635



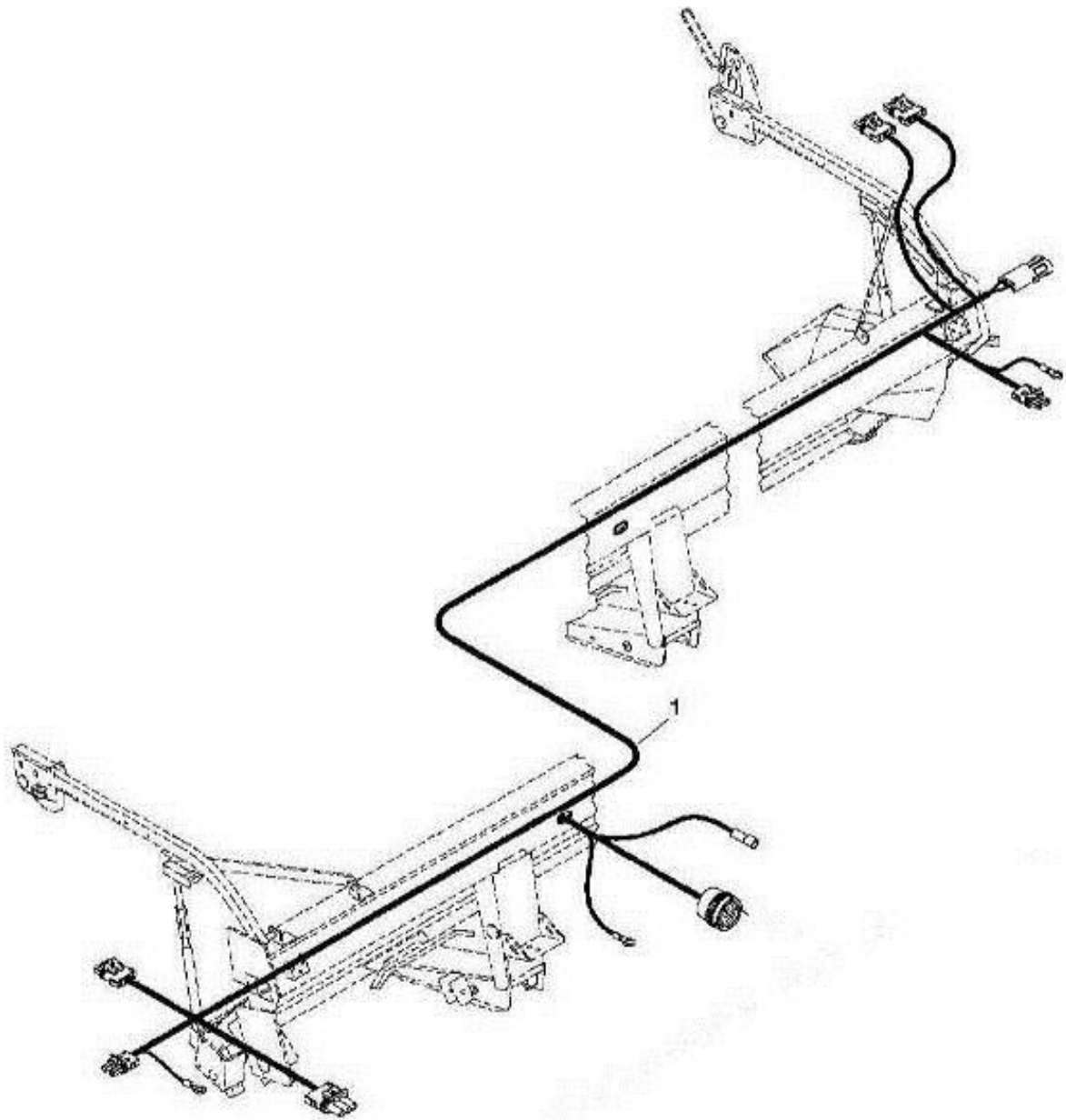
Pos.	Bezeichnung	Description	Artikelnummer/ Part No.	Tech. Info	Menge/ Qty.
1	Kontermutter	Lock Nut	14M7397	M6	1
2	Kopfschraube	Cap Screw	19M7640	M5x12	2
3	Schraube	Screw	19M7797	M6x40	1
4	Scheibe	Washer	24M7027	5,3x10x1mm	2
5	Sensor	Sensor	AZ102673		1
6	Halterung	Bracket	Z104409	635	1
	Halterung	Bracket	5ZN50501	618/620/622/ 625/630	1
7	Kabelbaum	Wiring Harness	AZ100394		1
8	Elektrischer Anschluss	Electrical Connector Assy	R78054		1
9	Elektrischer Anschluss	Electrical Connector Assy	57M7953		1

Haspelhöhen Sensor / Reel High Sensor Premium Flow 618/620/622/625/630/635



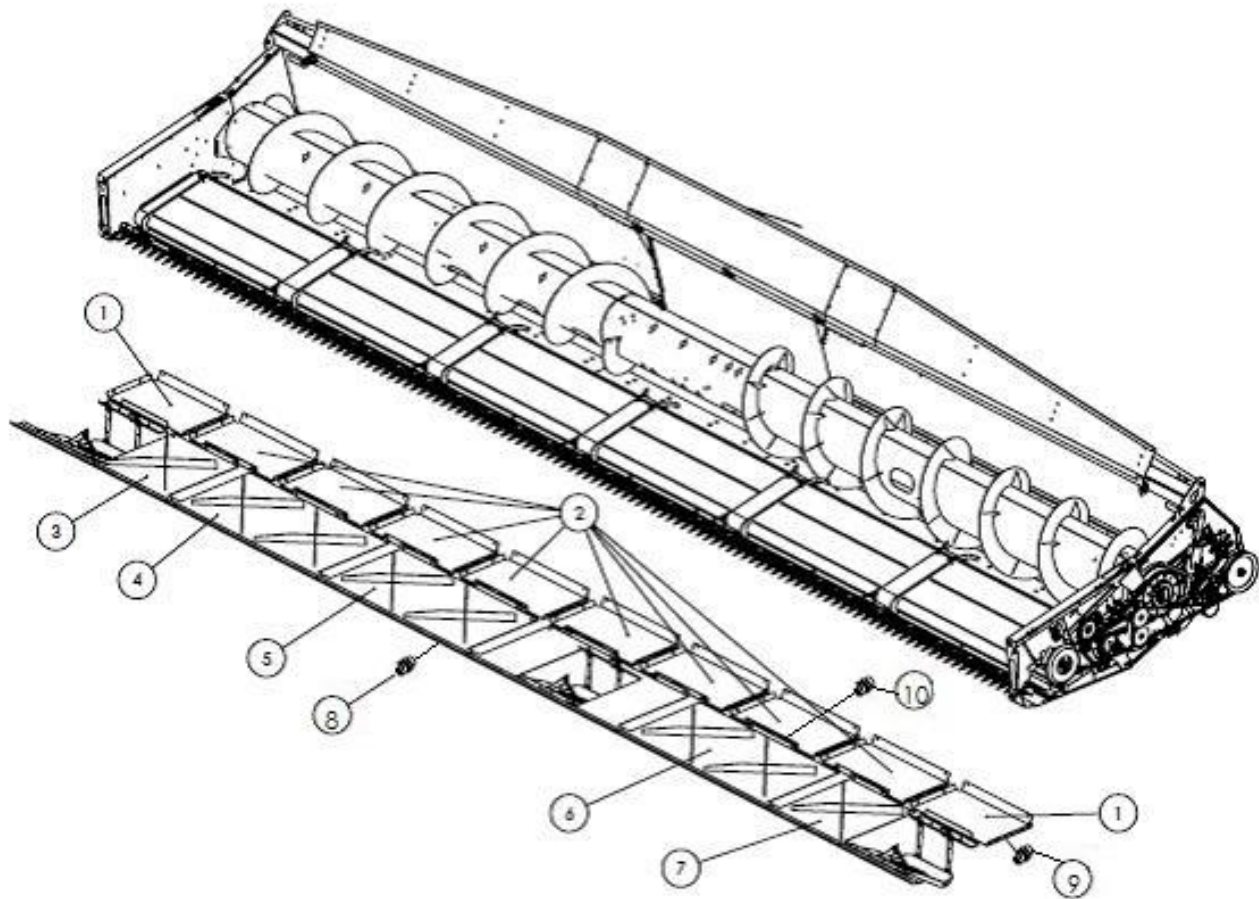
Pos.	Bezeichnung	Description	Artikelnummer/ Part No.	Tech. Info	Menge/ Qty.
1	Federstecker	Cotter Pin	11M7009	2x16mm	2
2	Kopfschraube	Cap Screw	19M7640	M5x12	2
3	Scheibe	Washer	24M7027	5,3x10x1mm	2
4	Sensor	Sensor	AZ102674		1
5	Auflagerbock	Bracket	Z104566		1
6	Bolzen	Pin Fastener	Z104567		1
7	Bolzen	Bolt	03M7184	M8x20	2
8	Flanschmutter	Flange Nut	14M7298	M8	2
10	Kabelbaum	Wiring Harness	AZ100394		1
11	Elektrischer Anschluss	Electrical Connector Assy	R78054		1
12	Elektrischer Anschluss	Electrical Connector Assy	57M7953		1

Hauptkabelbaum / Main Wiring Harness Premium Flow 618/620/622/625/630/635



Pos.	Bezeichnung	Description	Artikelnummer/ Part No.	Tech. Info	Menge/ Qty.
1	Hauptkabelbaum	Main Wiring Harness	AH168092	618/620	1
	Hauptkabelbaum	Main Wiring Harness	5ZN50504	622/625/630	1
	Hauptkabelbaum	Wiring Harness	5ZN51670	635	1

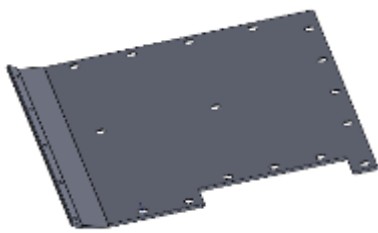
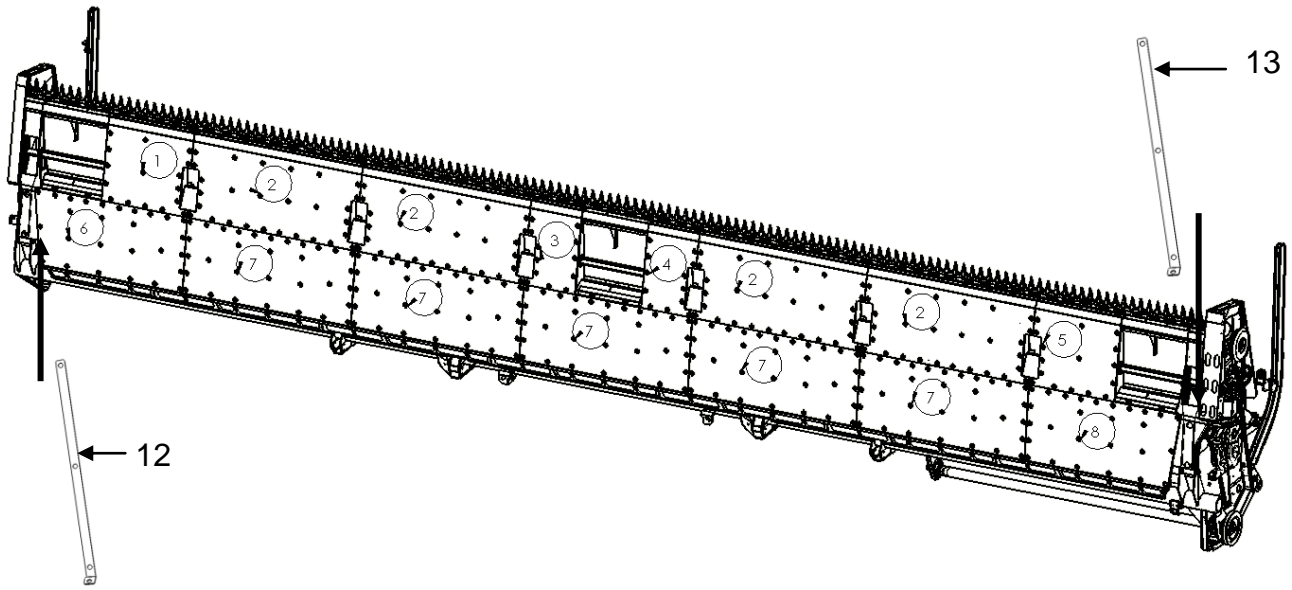
Schleifkufen / Skid plates
Premium Flow 618/620/622/625/630



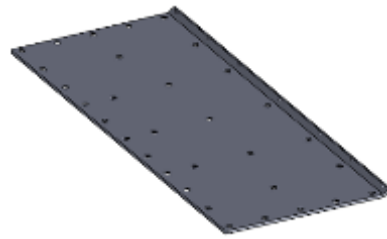
Schleifkufen / Skid plates
Premium Flow 618/620/622/625/630

Pos.	Bezeichnung	Description	Artikelnummer/ Part No.	Tech. Info	Menge/ Qty.
1	Hintere Schleifkufe Rechts und Links	Back Skid Plate Left and Right	5ZN50308	750mm	2
2	Hintere Schleifkufe	Back Skid Plate	5ZN50307	672mm	AR
	Hintere Schleifkufe	Back Skid Plate	5ZN50309	824mm	AR
3	Vordere Schleifkufe Rechts	Front Skid Plate rh	5ZN50135	618/620/622/ 625/630	1
4	Vordere Schleifkufe Rechts	Front Skid Plate rh	5ZN50138	618	1
	Vordere Schleifkufe Rechts	Front Skid Plate rh	5ZN50140	620	1
	Vordere Schleifkufe Rechts	Front Skid Plate rh	5ZN50142	622	1
	Vordere Schleifkufe Rechts	Front Skid Plate rh	5ZN50144	625	1
	Vordere Schleifkufe Rechts	Front Skid Plate rh	5ZN50147	630	1
5	Vordere Schleifkufe Mitte	Front Skid Plate Middle	5ZN50146	630	1
6	Vordere Schleifkufe Links	Front Skid Plate lh	5ZN50137	618	1
	Vordere Schleifkufe Links	Front Skid Plate lh	5ZN50139	620	1
	Vordere Schleifkufe Links	Front Skid Plate lh	5ZN50141	622	1
	Vordere Schleifkufe Links	Front Skid Plate lh	5ZN50143	625	1
	Vordere Schleifkufe Links	Front Skid Plate lh	5ZN50145	630	1
7	Vordere Schleifkufe Links	Front Skid Plate lh	5ZN50134	618/620/622/ 625/630	1
8	Sperrzahnschraube	Flange Bolt	5ZN70043	M8x16	AR
9	Sperrzahnschraube	Flange Bolt	5ZN70048	M10x30	AR
10	Sperrzahnschraube	Flange Bolt	5ZN70044	M8x20	AR

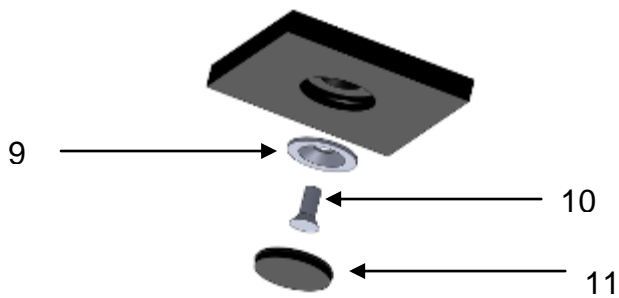
Plastik Schleifkufen / Plastic Skid Plates Premium Flow 635



Skid Plate Front



Skid Plate Back

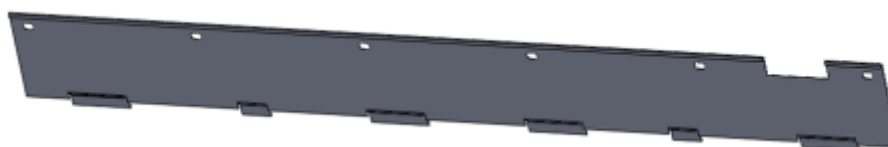
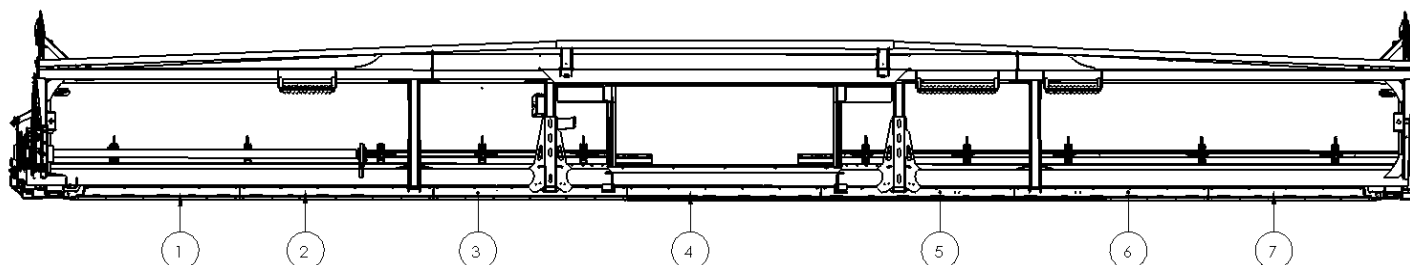


Installation

Plastik Schleifkufen / Plastic Skid Plates
Premium Flow 635

Pos.	Bezeichnung	Description	Artikelnummer/ Part No.	Tech. Info	Menge/ Qty.
1	Vordere Schleifkufe Rechts	Skid Plate Front rh	5ZN51526		1
2	Vordere Schleifkufe Mitte	Skid Plate Front Middle	5ZN51527		4
3	Vordere Schleifkufe Mitte Rechts	Skid Plate Front Middle rh	5ZN51528		1
4	Vordere Schleifkufe Mitte Links	Skid Plate Front Middle lh	5ZN51529		1
5	Vordere Schleifkufe Links	Skid Plate Front lh	5ZN51530		1
6	Hintere Schleifkufe Rechts	Skid Plate Back Rh	5ZN51450		1
7	Hintere Schleifkufe Mitte	Skid Plate Back Middle	5ZN51388		5
8	Hintere Schleifkufe Links	Skid Plate Back lh	5ZN51449		1
9	Senkscheibe	Countersunk Washer	5ZN51639		AR
10	Senkschraube	Countersunk Bolt	5ZN70564	M8 x 20	AR
11	Abdeckung	Cap	5ZN53106		AR
12	Klemmblech	Clamping Plate rh	5ZN51632		1
13	Klemmblech	Clamping Plate lh	5ZN51631		1

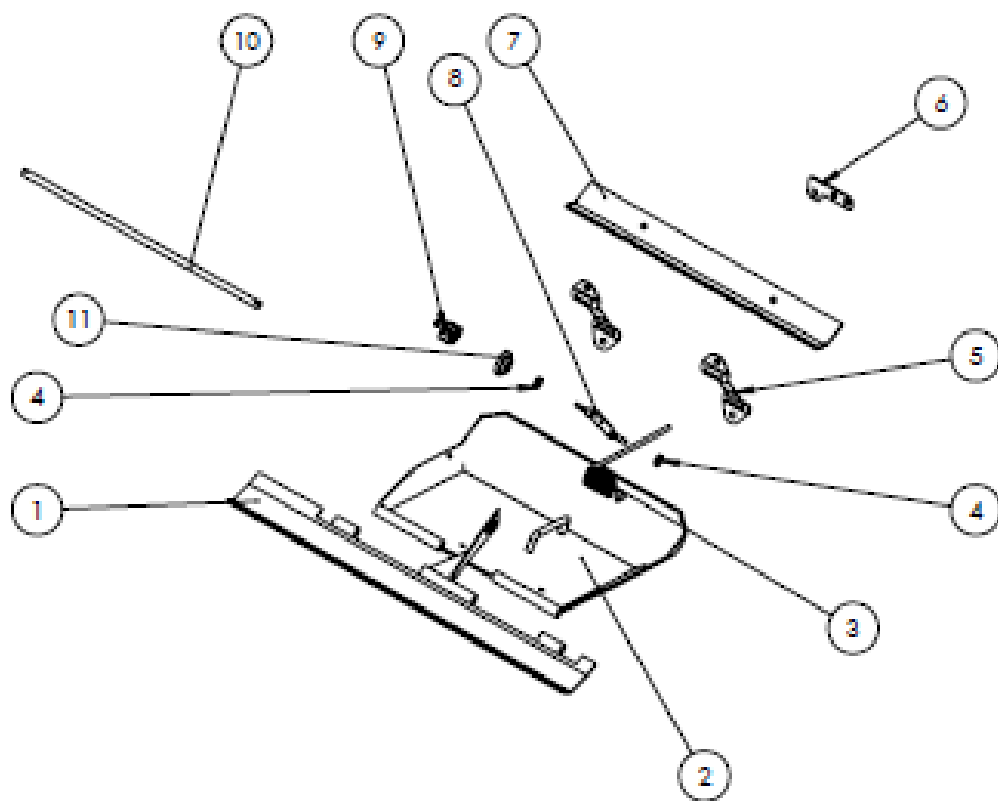
Hinteres Abschlussblech/ Closing Sheet Back Premium Flow 635



Closing sheet

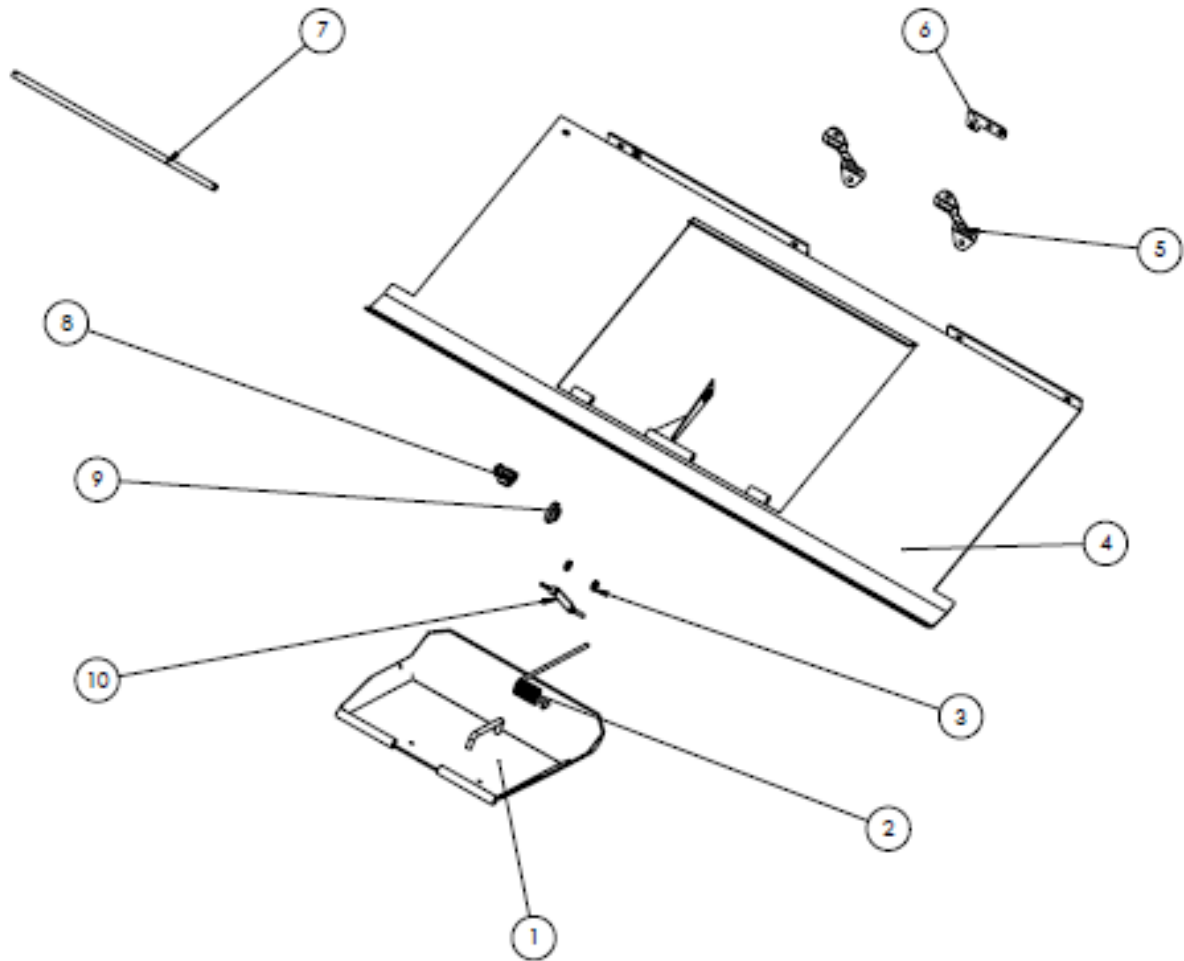
Pos.	Bezeichnung	Description	Artikelnummer/ Part No.	Tech. Info	Menge/ Qty.
1	Abschlussblech links hinten	Closing Sheet lh External	5ZN51447	635	1
2	Abschlussblech links	Closing Sheet lh	5ZN51626	635	1
3	Abschlussblech Mitte links	Closing Sheet lh Middle	5ZN51627	635	1
4	Abschlussblech Mitte	Closing Sheet Middle	5ZN51415	635	1
5	Abschlussblech Mitte rechts	Closing Sheet rh Middle	5ZN51629	635	1
6	Abschlussblech rechts	Closing Sheet rh	5ZN51628	635	1
7	Abschlussblech rechts hinten	Closing Sheet rh External	5ZN51448	635	1

AHC Tastkufe / AHC sensor plate Premium Flow 618/620/622/625/630/635



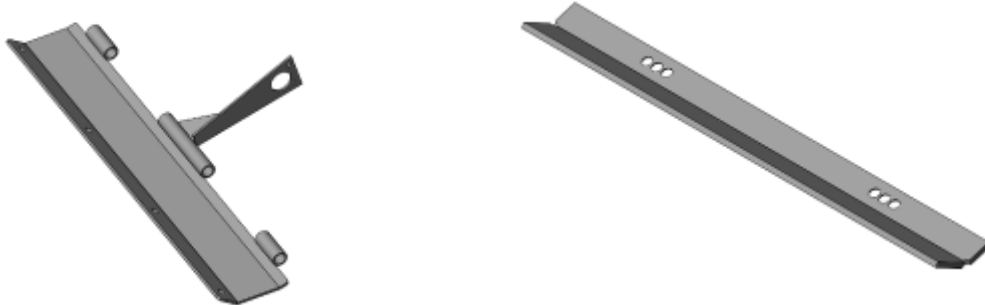
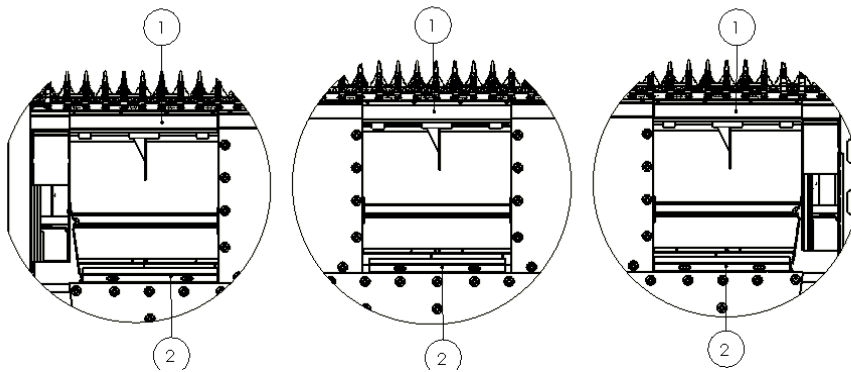
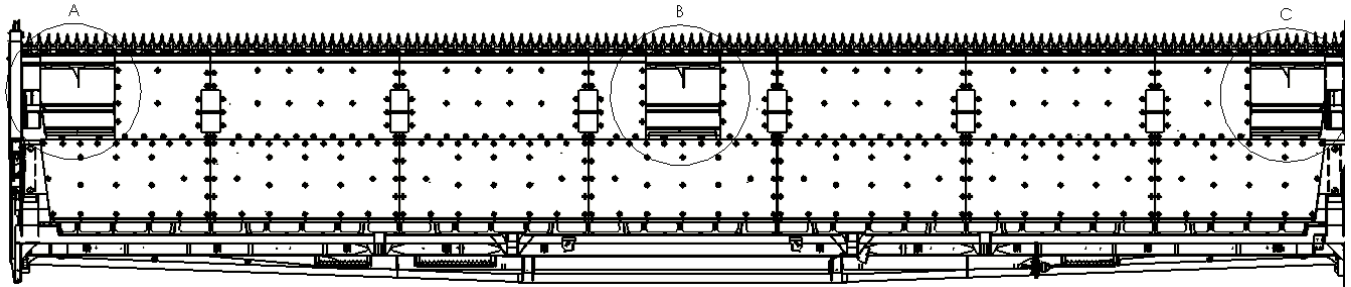
Pos.	Bezeichnung	Description	Artikelnummer/ Part No.	Tech. Info	Menge/ Qty.
1	Halter Tastkufe Rechts	Bracket Sensor Plate rh	5ZN50126	618/620/622/ 625/630	1
	Halter Tastkufe Links	Bracket Sensor Plate lh	5ZN50130	618/620/622/ 625/630	1
	Halter Tastkufe	Bracket Sensor Plate	5ZN51464	635	1
2	Tastkufe	Sensor Plate	5ZN50133		1
	Tastkufe 35Ft	Sensor Plate	5ZN52043	635 from MY2015	1
3	Feder Tastkufe	Spring Sensor Plate	5ZN51042		1
4	Rillenkugellager 608-2RS	Bearing 608-2RS	5ZN50302		2
5	Haltegurt	Restraints	5ZN50105		2
	Haltegurt 35Ft	Restraints	5ZN52094	635 from MY2015	2
6	Halter Feder Tastkufe	Bracket Spring Sensor Plate	5ZN51191		1
7	Abweiserblech	Deflector Plate	5ZN50132	618-630	1
	Abweiser	Deflector	5ZN51451	635 till 2014	1
	Abweiser	Deflector	5ZN52044	635 from MY2015	
8	Sensorhebel	Sensor Lever	5ZN50304		1
9	Potentiometer	Sensor	5ZN50103		1
10	Welle	Shaft	5ZN50125		1
11	Potentiometerbefestigung	Sensor Bracket	5ZN50301		1
	Potentiometergestänge kpl.	Potentiometer Linkage Assembly	5ZN50104	Pos. 4,8,11	1

AHC Tastkufe / AHC sensor plate
Premium Flow 618/620/622/625/630



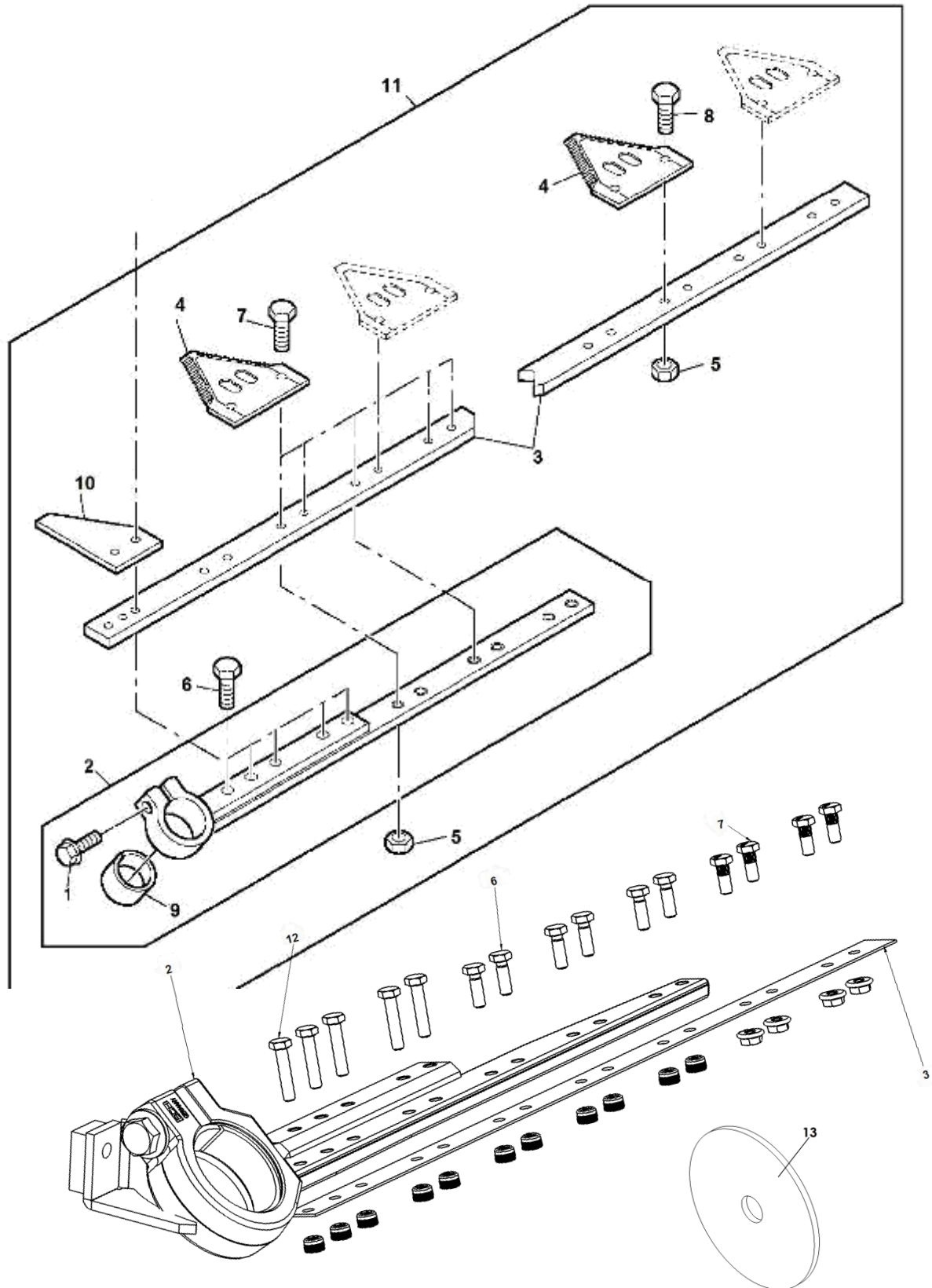
Pos.	Bezeichnung	Description	Artikelnummer/ Part No.	Tech. Info	Menge/ Qty.
1	Tastkufe	Sensor Plate	5ZN50133		1
2	Feder für Tastkufe	Spring Sensor Plate	5ZN51042		1
3	Rillenkugellager 608-2RS	Bearing 608-2RS	5ZN50302		1
4	Halter für Tastkufe Mitte	Bracket Sensor Plate Middle	5ZN50127	622	1
	Halter für Tastkufe Mitte	Bracket Sensor Plate Middle	5ZN50128	625	1
	Halter für Tastkufe Mitte	Bracket Sensor Plate Middle	5ZN50129	630	1
5	Haltegurt	Safety Belt	5ZN50105		2
6	Halter Feder Tastkufe	Bracket Spring Sensor Plate	5ZN51191		1
7	Welle	Shaft	5ZN50125		1
8	Potentiometer	Potentiometer	5ZN50103		1
9	Potentiometer Halter	Potentiometer Bracket	5ZN50301		1
10	Sensorhebel	Sensor Lever	5ZN50304		1
11	Potentiometergestänge kpl.	Potentiometer Linkage Assembly	5ZN50104	Pos. 3,9,10	1

AHC Tastkufe / AHC sensor plate Premium Flow 635



Pos.	Bezeichnung	Description	Artikelnummer/ Part No.	Tech. Info	Menge/ Qty.
1	Halter für Tastkufe	Holder for Sensor Plate	5ZN51464	635	3
2	Abweiser	Deflector AHC Sensor Plate	5ZN51451	635 till MY2014	3
	Abweiser	Deflector AHC Sensor Plate	5ZN52044	635 from MY2015	3

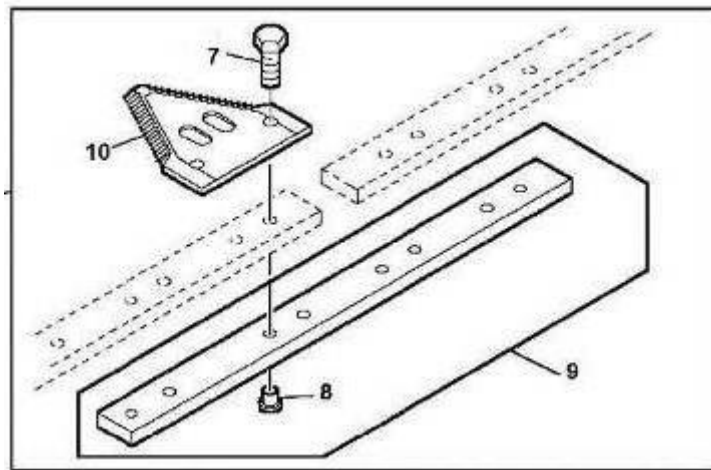
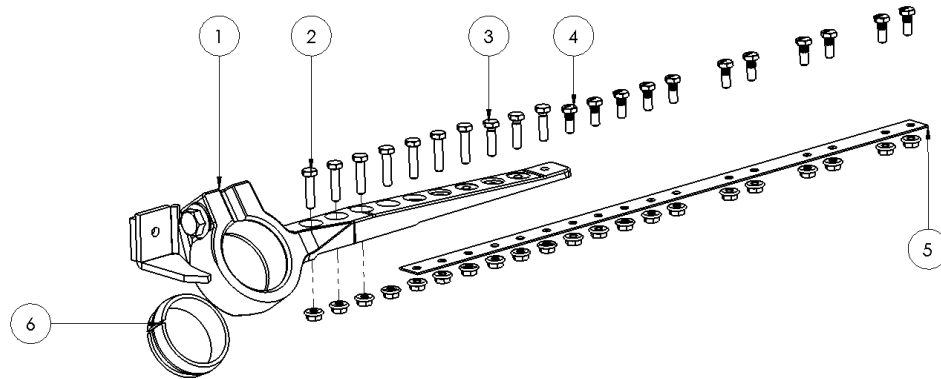
Messerbalkenkopfabschnitt/ Cutterbar Head Section Premium Flow 618/620/622/625/630



Messerbalkenkopfabschnitt/ Cutterbar Head Section
Premium Flow 618/620/622/625/630

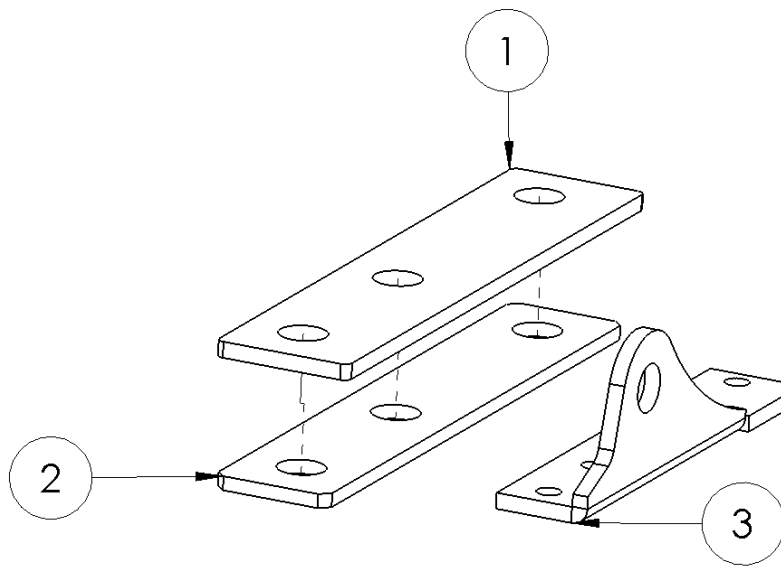
Pos.	Bezeichnung	Description	Artikelnummer/ Part No.	Tech. Info	Menge/ Qty.
1	Bolzen	Bolt	19M7791	M12x40	1
2	Messerkopf 30ft mit Antriebswinkel	Knife Head 30ft	5ZN50921	618/620/622 /625/630	1
3	Verstärkungsleiste Messerkopf 30ft	Strap 30ft	5ZN51718	630	1
4	Klinge Schuhmacher fein	Knife Section	5ZN16152		AR
5	Mutter	Nut	AZ41775		1
6	Kopfschraube	Cap Screw	19M7580	M6x18	5
7	Kopfschraube	Cap Screw	19M8625	M6x16	6
8	Schraube	Screw	H207542		44
9	POM Ring	Pom Ring	5ZN16136		AR
10	Halbe Klinge	Half Knife Section	5ZN16137		AR
11	Messer 18ft kpl. mit Messerkopf fein	Knife Complete with Knife Head 18ft	5ZN52000	618	1
	Messer 20ft kpl. mit Messerkopf fein	Knife Complete with Knife Head 20ft	5ZN52001	620	1
	Messer 22ft kpl. mit Messerkopf fein	Knife Complete with Knife Head 22ft	5ZN52002	622	1
	Messer 25ft kpl. mit Messerkopf fein	Knife Complete with Knife Head 25ft	5ZN52003	625	1
	Messer 30ft kpl. mit Messerkopf fein	Knife Complete with Knife Head 30ft	5ZN52004	630	1
12	Sechskantschraube	Hexagon Bolt	5ZN51372	630	5
13	Scheibe	Washer	5ZN50430	75x12x4	1
	Messerkopf 30ft kpl. mit Verstärkungsleiste	Knife Complete with Strap 30ft	5ZN51719	Pos. 2,3,6,7,12 630	1

Messerbalken, Mittel- und Endabschnitte/ Cutterbar Middle and End Sections Premium Flow 635



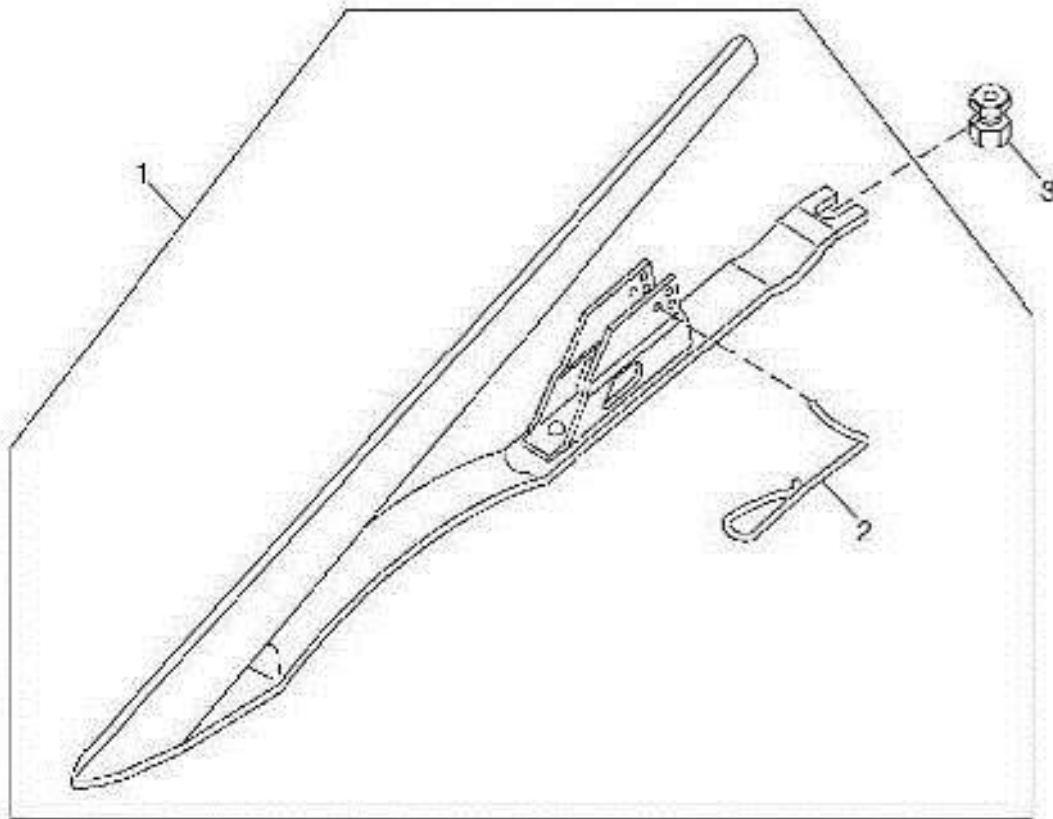
Pos.	Bezeichnung	Description	Artikelnummer/ Part No.	Tech. Info	Menge/ Qty.
1	Messerkopf 35ft mit Antriebswinkel	Knife Head 35ft	5ZN51546		AR
2	Sechskantschraube	Hexagon Bolt	5ZN51372	M6x25	AR
3	Sechskantschraube	Hexagon Bolt	19M7580	M6x18	5
4	Sechskantschraube	Hexagon Bolt	19M8625	M6x16	6
5	Verstärkungsleiste 35ft	Strap 35ft	5ZN51544		AR
6	Ring	Ring	H157812		1
7	Schraube	Screw	19M8625		6
8	Mutter	Nut	H150058		AR
9	Verbindungsset fein	Connection Kit Fine	AH168907		AR
10	Messerklinge fein	Knife Section Fine	Z93078		AR
	Messerkopf 35ft kpl. mit Verstärkungsleiste	Knife Complete with Strap 35ft	5ZN51651	Pos.1-5 635	1
	Messer 35ft kpl. mit Messerkopf fein	Knife Complete with Knife Head 35ft	5ZN51650	635	1

Messermitnehmer rechts/ Knife Drive Plate right Premium Flow 618/620/622/625/630/635



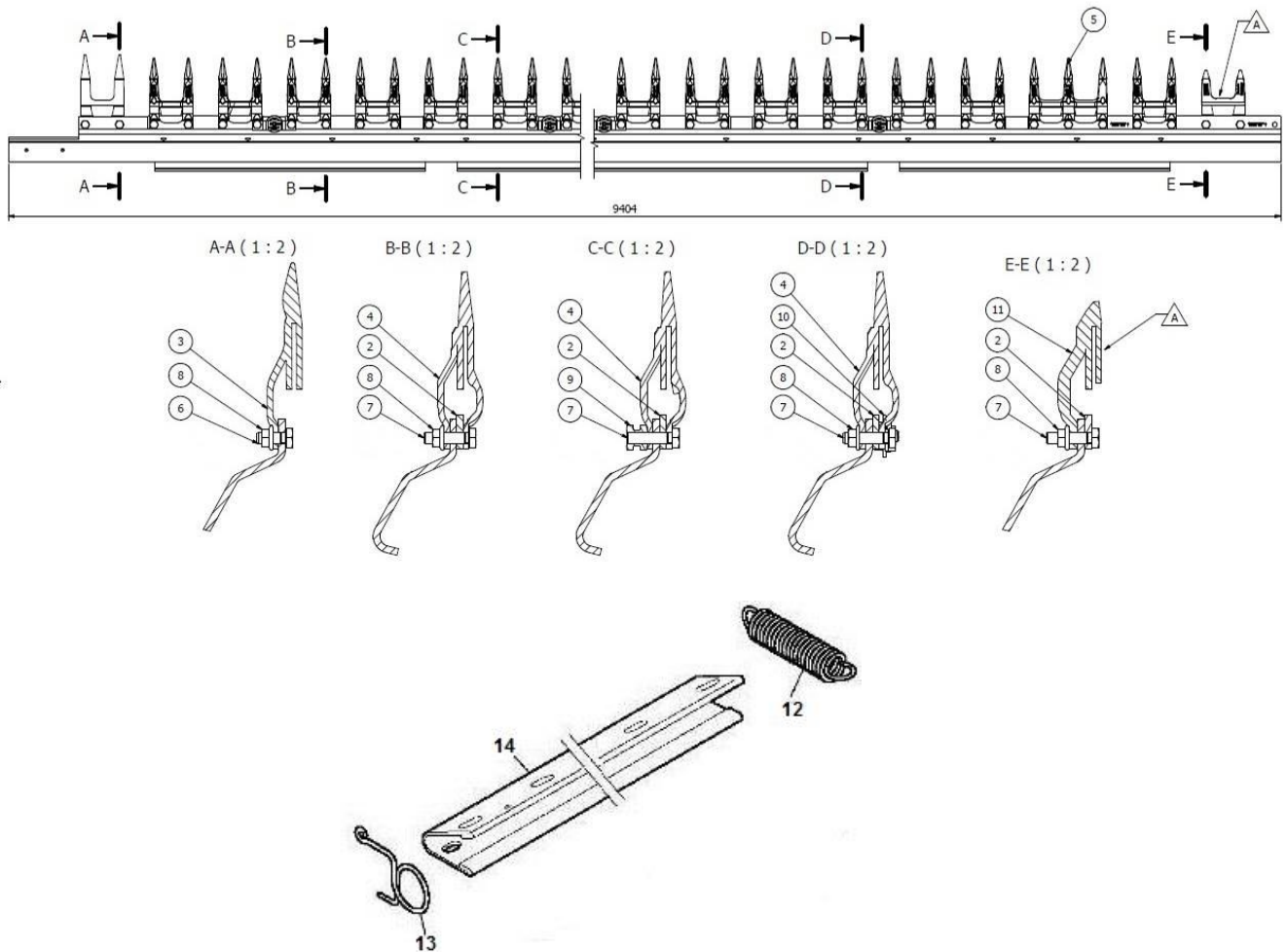
Pos.	Bezeichnung	Description	Artikelnummer/ Part No.	Tech. Info	Menge/ Qty.
1	Platte	Plate	5ZN18226	618/620/622/625/630	1
	Platte Kompakt	Plate Compact	5ZN16906	635	1
2	Platte	Plate	5ZN18227	618/620/622/625/630	1
	Platte Kompakt	Plate Compact	5ZN16907	635	1
3	Antriebsplatte	Drive Plate	5ZN16113	618/ 620/622/625/630/635	1

Ährenheber/ Crop Lifter Premium Flow 618/620/622/625/630/635



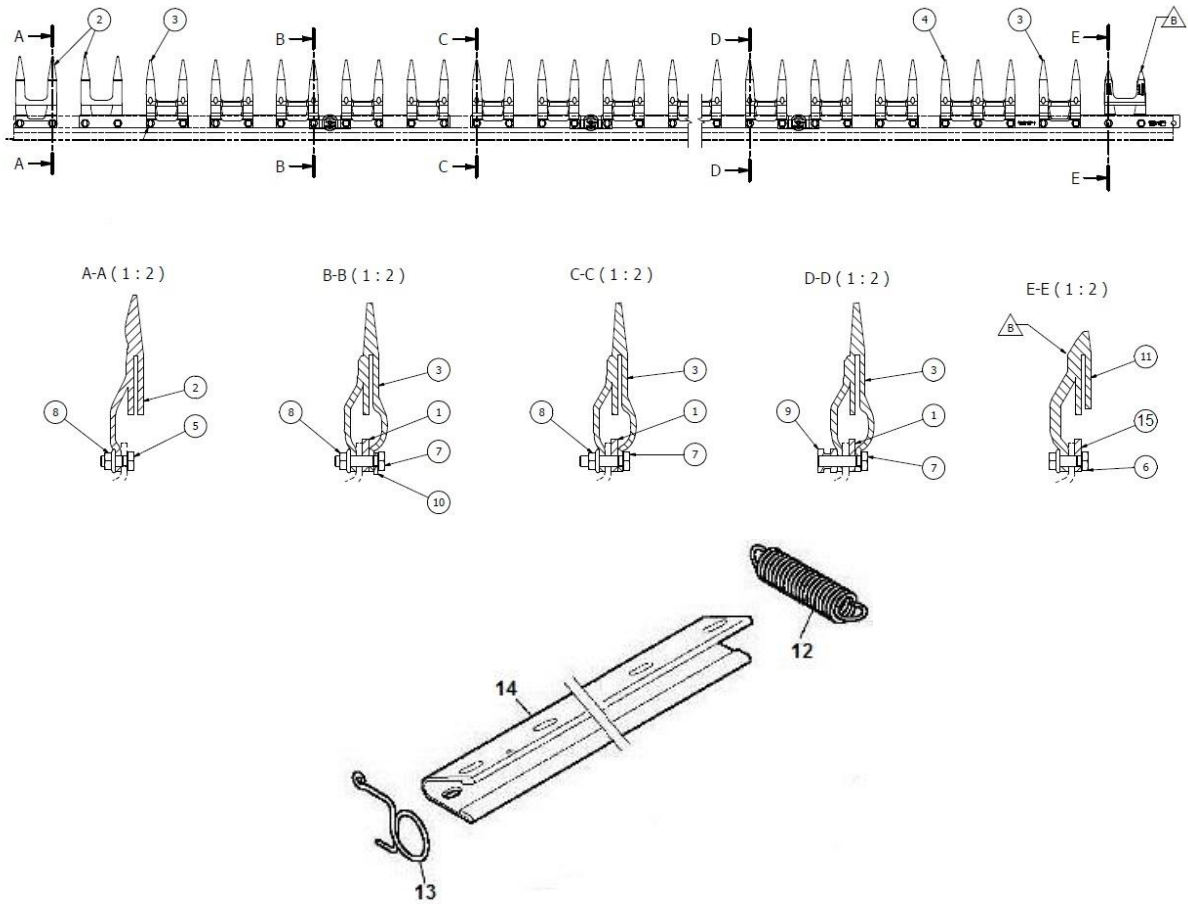
Pos.	Bezeichnung	Description	Artikelnummer/ Part No.	Tech. Info	Menge/ Qty.
1	Ährenheber	Crop Lifter	AZ59818		1
2	Kabel	Wire	Z41246		1
3	Mutter	Nut	H170722		1

Schumacher Finger / Guards and Wear Plates Premium Flow 618/620/622/625/630



Pos.	Bezeichnung	Description	Artikelnummer/ Part No.	Tech. Info	Menge/ Qty.
2	4-Loch Abstandsleiste	Spacerbar 4-Hole	5ZN51212		AR
3	Offener Doppelfinger	Special Double Finger	5ZN18225		AR
4	Doppel Finger	Double Finger	5ZN51210		1
5	Dreifach Finger	Special Finger	5ZN51211		1
6	Sechskantschraube	Bolt	19M7167	M10x25 DIN933	AR
7	Bolzen	Bolt	19M7382	M10x40 DIN933	AR
8	Flanschmutter	Flange Nut	5ZN70391	M10 DIN6923	AR
9	Spulmutter	Offset Lifter Nut	H170722		AR
10	Rollenführung oben	Rollers Guide	5ZN51215		AR
11	Doppelfinger extra kurz	Double Finger Extra Short	5ZN51762	12mm	1
12	Zugfeder	Extension Spring	Z25462		AR
13	Halter	Holder	Z32078		AR
14	Messerschutz	Knife Guard	Z47925		AR

Schumacher Finger / Guards and Wear Plates Premium Flow 635

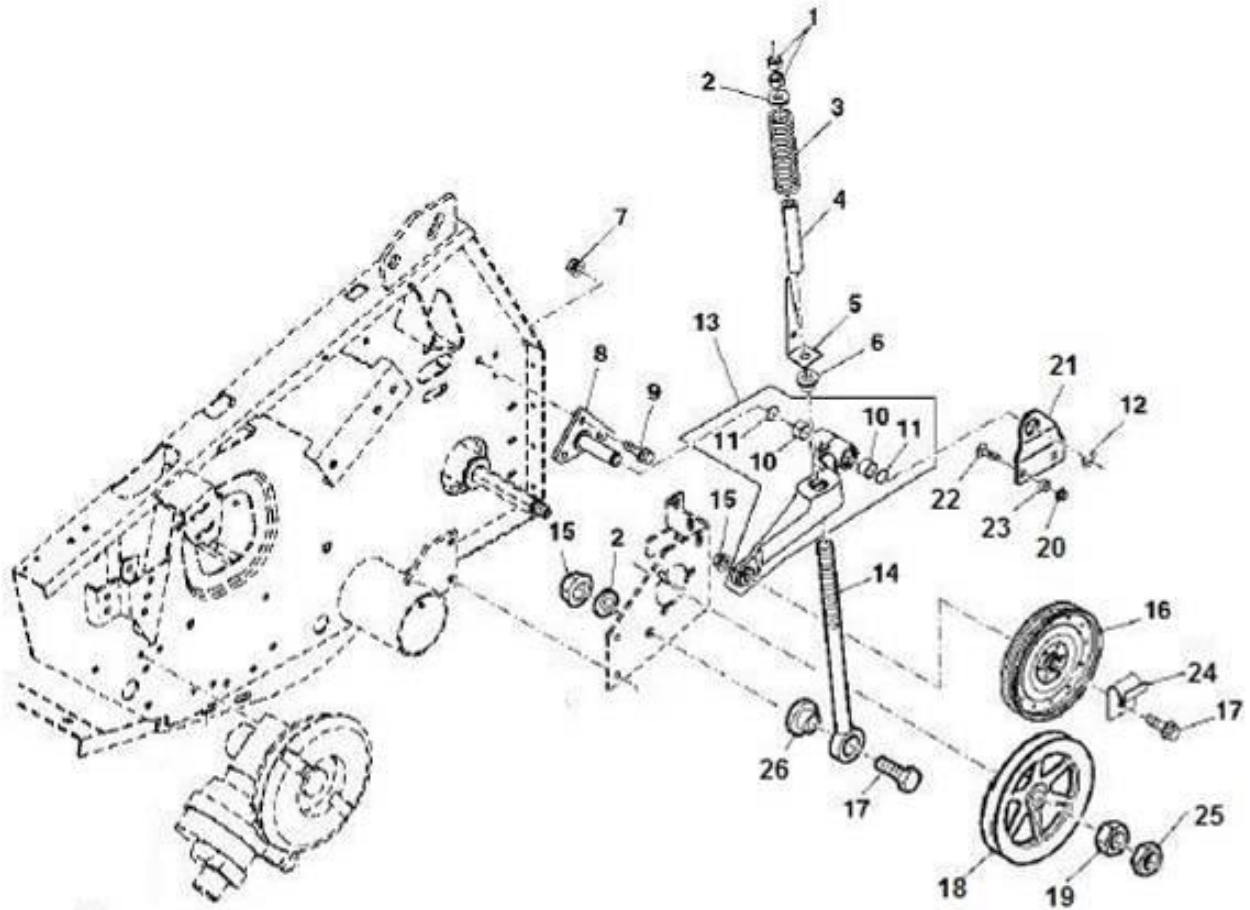


Pos.	Bezeichnung	Description	Artikelnummer / Part No.	Tech. Info	Menge/ Qty.
1	4-Loch Abstandsleiste	Spacerbar 4-Hole	5ZN51212		34
2	Offener Doppelfinger	Special Double Finger	5ZN518225		2
3	Doppel Finger	Double Finger	5ZN51210		66
4	Dreifach Finger	Special Finger	5ZN51211		1
5	Sechskantschraube	Bolt	19M7167	M10x25 DIN933	2
6	Sechskantschraube	Bolt	19M7169	M10x35 DIN933	4
7	Bolzen	Bolt	19M7382	M10x40 DIN933	136
8	Flanschmutter	Flange Nut	5ZN70391	M10 DIN6923	107
9	Spulmutter	Offset Lifter Nut	H170722		34
10	Rollenführung oben	Rollers Guide	5ZN51215		16
11	Doppelfinger extra kurz	Double Finger Extra Short	5ZN51762	12mm	AR
12	Zugfeder	Extension Spring	Z25462		6
13	Halter	Holder	Z32078		6
14	Messerschutz	Knife Guard	Z47925		6
15	5-Loch Abstandsleiste	Spacerbar 5-Hole	5ZN51665	6 mm	1

Messerantrieb / Knife Drive
Premium Flow 618/620/622/625/630/635

Pos.	Bezeichnung	Description	Artikelnummer/ Part No.	Tech. Info	Menge/ Qty.
1	Messergetriebe	Gear Case	DE19785	618/620/622/ 625/630	1
	Messergetriebe	Gear Case	DE30398	635	1
2	Kugellager	Ball Bearing	DE19305		1
3	Druckkeil	Shaft Key	CE19364		1
4	Antriebskegelrad	Bevel Gear Drive	DE19855		1
5	Entlüftung	Breather	CE19254		1
6	Befestigungsstück	Fitting	JD7797		1
7	Abdeckung	Cap	DE19704		1
8	Kugellager	Ball Bearing	DE19852		1
9	Lagerabdeckung	Bearing Cap	CE18651		1
10	Mutter	Nut	CE18662		1
11	Sicherungsring	Snap Ring	40M1865		1
12	Kugellager	Ball Bearing	DE19307		1
13	Arretierung	Retainer	CE18663		1
14	Kugellager	Ball Bearing	DE19306		1
15	Stopfen	Plug	H22789		1
16	Sicherungsring	Snap Ring	40M1839		1
17	Schraube	Screw	CE18661		7
18	Abdeckung	Cover	DE19851		1
19	Gegenlager	Thrust Bearing	DE19850		1
20	Druckkeil	Shaft Key	CE18665		1
21	Achse	Shaft	DE19854		1
22	Hohlrad	Ring Gear	CE18644		1
23	Achse	Shaft	DE19853		1
24	Antriebscheibe	Pulley	CE18641		1
25	Mutter	Nut	H174603		1
26	Antrieb	Actuator	DE19294		1
27	Schraube	Screw	19M7813		2
28	Abdeckung	Cap	CE18653		1
29	Kegelrollenlager	Tapered Roller Bearing	DE19475		1
30	Lagerabdeckung	Bearing Cap	CE18652		1
31	Schraube	Screw	CE19859		1
32	Kugellager	Ball Bearing	DE19311		1
33	Lager mit Gehäuse	Bearing with Housing	CE19129		1

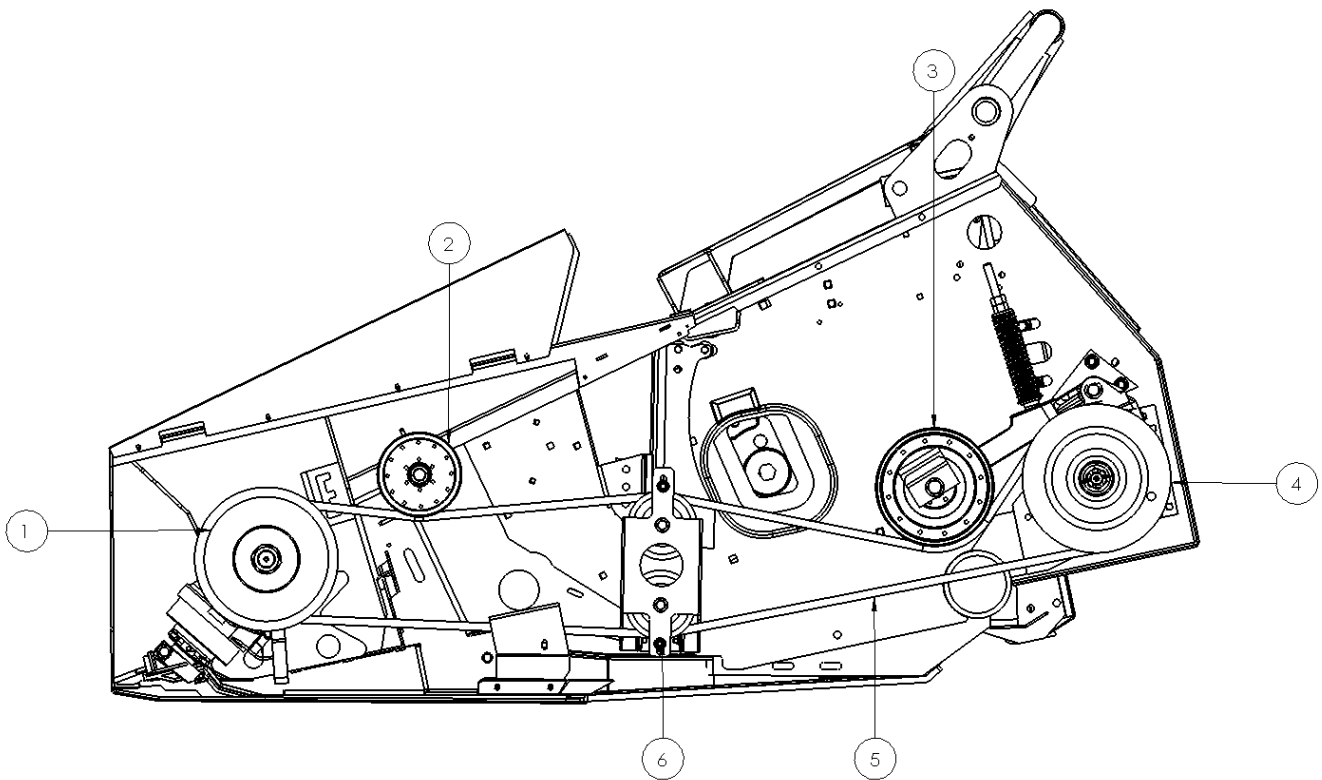
Riementrieb / Knife Drive Line
Premium Flow 618/620/622/625/630/635



Riementrieb / Knife Drive Line
Premium Flow 618/620/622/625/630/635

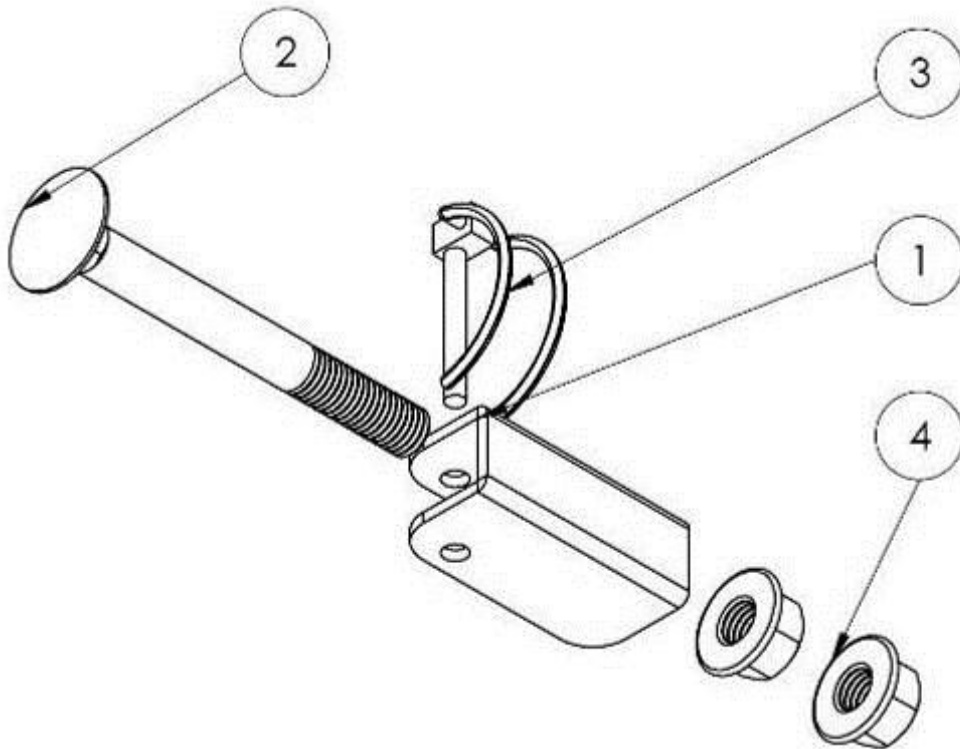
Pos.	Bezeichnung	Description	Artikelnummer/ Part No.	Tech. Info	Menge/ Qty.
1	Mutter	Nut	14M7276	M16	2
2	Scheibe	Washer	24H1373	21/32"x1- 9/16"x0,18"	AR
3	Feder	Spring	H94510		1
4	Buchse	Bushing	28H1605	0,742"x1,05"x6"	1
5	Druckanzeiger	Gauge	H171659		1
6	Gelenk	Pivot	H129208		1
7	Flanschmutter	Flange Nut	14M7299	M12	AR
8	Stift	Pin	AH210916		1
9	Schraube	Screw	19M7788	M12x25	3
10	Buchse	Bushing	H171061		2
11	Abdichtung	Seal	AA5607R		2
12	Federring	Snap Ring	P46402		2
13	Spannarm kpl.	Idler	AH201433		1
14	Ringschraube	Eyebolt	H204589		1
15	Flanschmutter	Flange Nut	14M7291	M16	AR
16	Spannrolle	Idler	AH97031		1
17	Schraube	Screw	19M7824	M16x60	AR
18	Antriebsscheibe Großer Sechskant	Pulley	HXE22628	OD=279mm	1
	Antriebsscheibe Kleiner Sechskant	Pulley	H220998	OD=279mm	1
	Antriebsscheibe Kleiner Sechskant	Pulley	H232235	OD=300mm	1
	Antriebsscheibe Großer Sechskant	Pulley	H232236	OD=300mm	1
19	Mutter	Nut	14M7240	M20	1
20	Flanschmutter	Flange Nut	14M7296	M10	2
21	Auflagerbock	Bracket	H220897		1
22	Bolzen	Bolt	03M7191	M10x25	2
23	Abstandsbuchse	Spacer	H165237	11x20x10mm	1
24	Griff	Handle	H91305		1
25	Sechskantmutter	Nut	14M7237		1
26	Büchse	Bushing	H204591		1

Riementrieb / Knife Drive Line Premium Flow 618/620/622/625/630/635



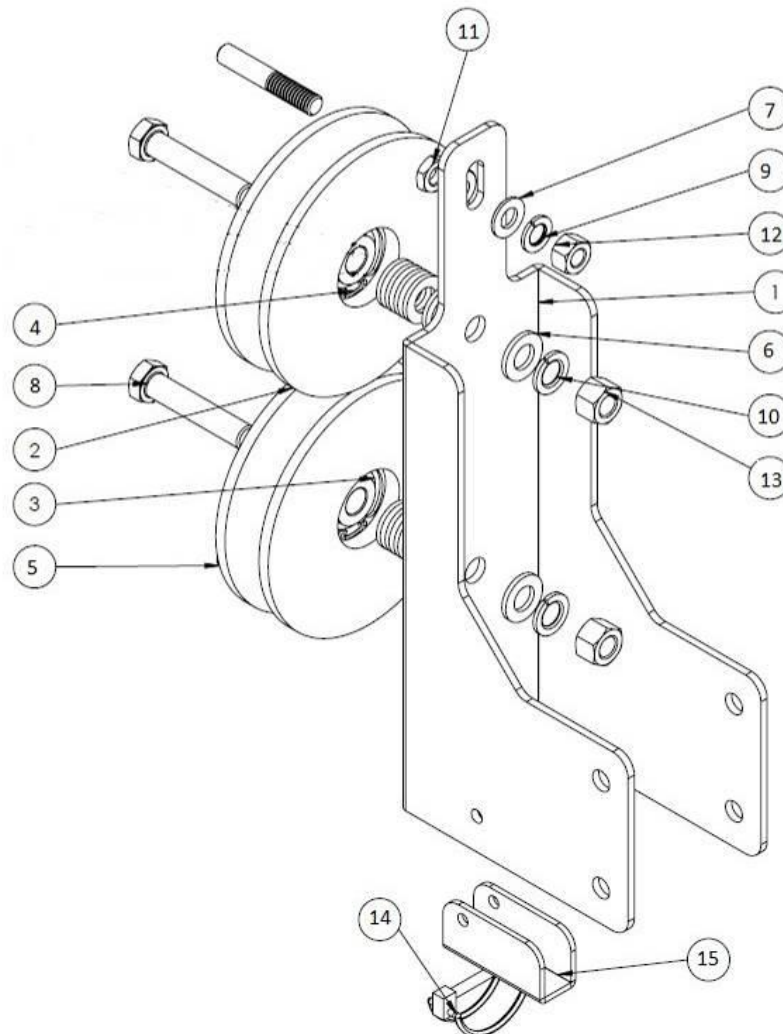
Pos.	Bezeichnung	Description	Artikelnummer/ Part No.	Tech. Info	Menge/ Qty.
1	Messergetriebe	Gear Case	DE19785	618/620/622/ 625/630	1
	Messergetriebe	Gear Case	DE30398	635	1
2	Spannrolle	Idler	5ZN18204		AR
3	Spannrolle	V-Belt Tensioner	AH97031		AR
4	Antriebsscheibe Großer Sechskant	Pulley	HXE22628	625	1
	Antriebsscheibe Kleiner Sechskant	Pulley	H220998	618/620/622	1
	Antriebsscheibe Kleiner Sechskant	Pulley	H232235		1
	Antriebsscheibe Großer Sechskant	Pulley	H232236	630/635	1
5	Keilriemen	V-Belt	5ZN50866	618/620/622/625	AR
	Keilriemen	V-Belt	5ZN50100	630	AR
	Keilriemen	V-Belt	5ZN51553	635	AR
6	Spannrollenhalter kpl.	Pulley Guard		See Page 71/72	AR

Abstützung Einzugsschnecke Rechts / Auger Bracket Right Premium Flow 618/620/622/625/630/635



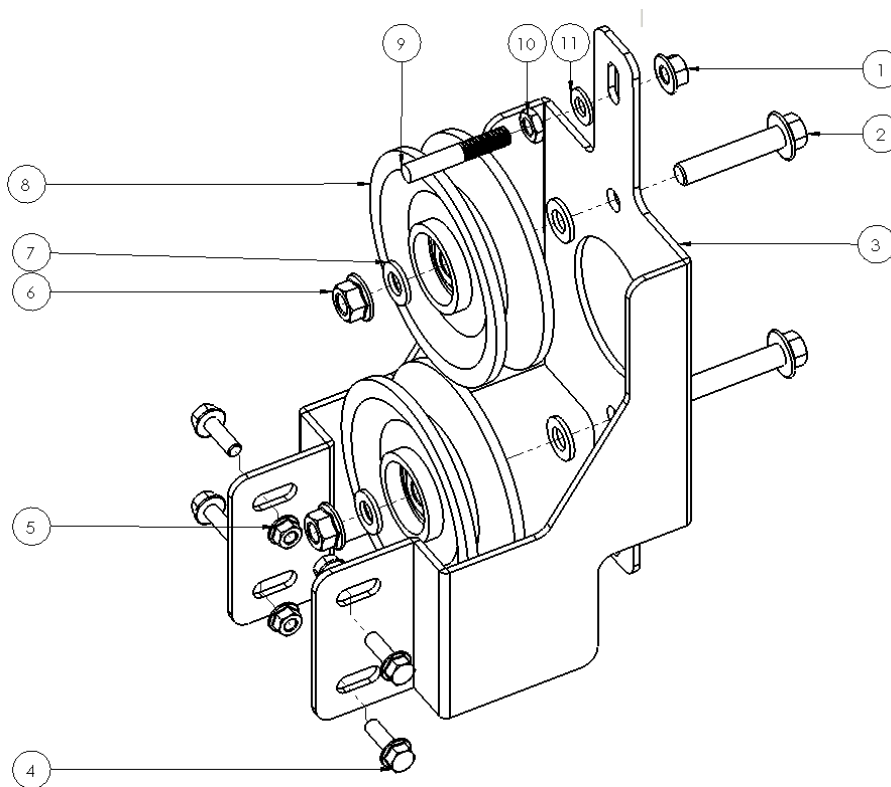
Pos.	Bezeichnung	Description	Artikelnummer/ Part No.	Tech. Info	Menge/ Qty.
1	Sicherungsbügel 63mm	Circlip 63mm	5ZN50372	622/625/630/635	2
	Sicherungsbügel 73mm	Circlip 73mm	5ZN50502	618/620	2
	Sicherungsbügel 20mm	Circlip 20mm	5ZN51947	635	2
2	Schlossschraube	Carriage Bolt	5ZN70144	M12x110	1
3	Rohrklappstecker	Tube Lock Pin	5ZN50371	6mm	2
4	Flanschmutter	Flange Nut	5ZN70012	M12	2

Spannrollenhalter / Pulley Bracket Premium Flow 618/620/622/625/630



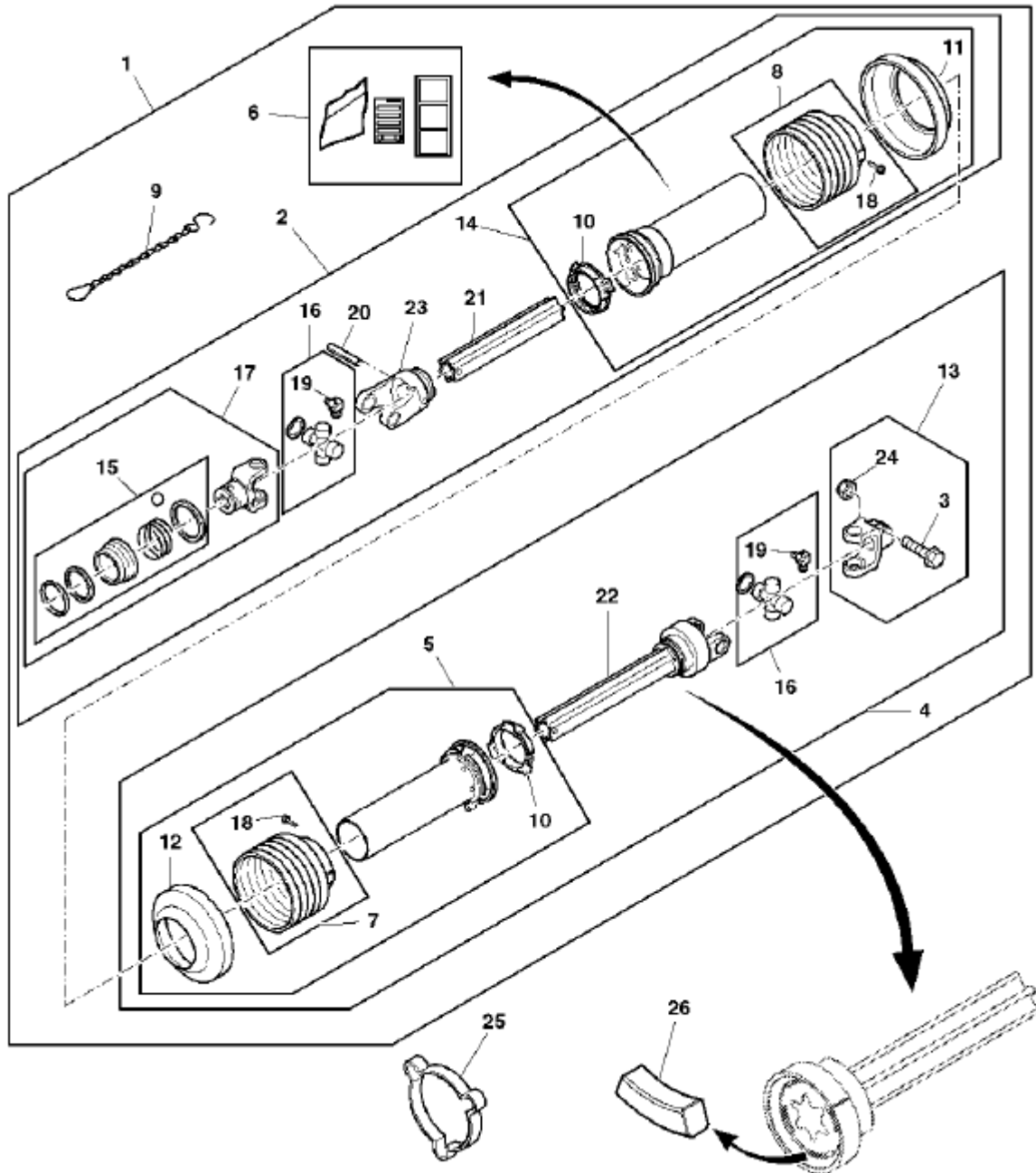
Pos.	Bezeichnung	Description	Artikelnummer/ Part No.	Tech. Info	Menge/ Qty.
1	Halter	Pulley Support	5ZN50253		1
2	Spannrolle Guss Komplett	Pulley Cast Complete	5ZN51644		2
3	Kugellager	Ball Bearing	5ZN16154	203-KRR-AH05	2
4	Seegerring	Lock washer	5ZN16155	40x1,75	2
5	Spannrolle ohne Lager	Pulley without Bearing	5ZN16192		2
6	Scheibe	Washer	5ZN70076	13mm	AR
7	Scheibe	Washer	5ZN70338	10,5mm	AR
8	Sechskantschraube	Hexagon Bolt	5ZN70301	M12x60	2
9	Federring	Snap Ring	5ZN70086	10mm	1
10	Federring	Snap Ring	5ZN70123	12mm	2
11	Mutter niedrige Form	Nut Thin Type	5ZN70007	M10	2
12	Mutter	Nut	5ZN70015	M10	1
13	Mutter	Nut	5ZN70104	M12	2
14	Rohrklappstecker	Tube Lock Pin	5ZN50371	6mm	1
15	Sicherungsbügel 63mm	Circlip 63mm	5ZN50372	622/625/630/635	2
	Sicherungsbügel 73mm	Circlip 73mm	5ZN50502	618/620	2
	Sicherungsbügel 20mm	Circlip 20mm	5ZN51947	635	2

Riementrieb / Knife Drive Line Premium Flow 635



Pos.	Bezeichnung	Description	Artikelnummer/ Part No.	Tech. Info	Menge/ Qty.
1	Flanschmutter	Flange Nut	5ZN70391	M10	1
2	Sechskantschraube	Bolt	5ZN70301	M12 x 60	2
3	Spannrollen Schutz	Pulley Guard	5ZN51581	635	1
4	Sechskantschraube	Bolt	5ZN70044	M8 x 25	4
5	Stoppmutter	Locknut	5ZN70103	M8	4
6	Stoppmutter	Locknut	5ZN70022	M12	2
7	Scheibe	Washer	5ZN70076	A13 DIN125	4
8	Spannrolle komplett	Pulley Complete	5ZN16192	Cast iron	2
9	Stift	Pin	5ZN16125	M10x60	1
10	Mutter	Nut	5ZN70007	M10 DIN439	1
11	Scheibe	Washer	5ZN70025	A10 DIN125	AR

Kardantriebswelle / Universal Drive Shaft Premium Flow 618/620/622/625/630/635

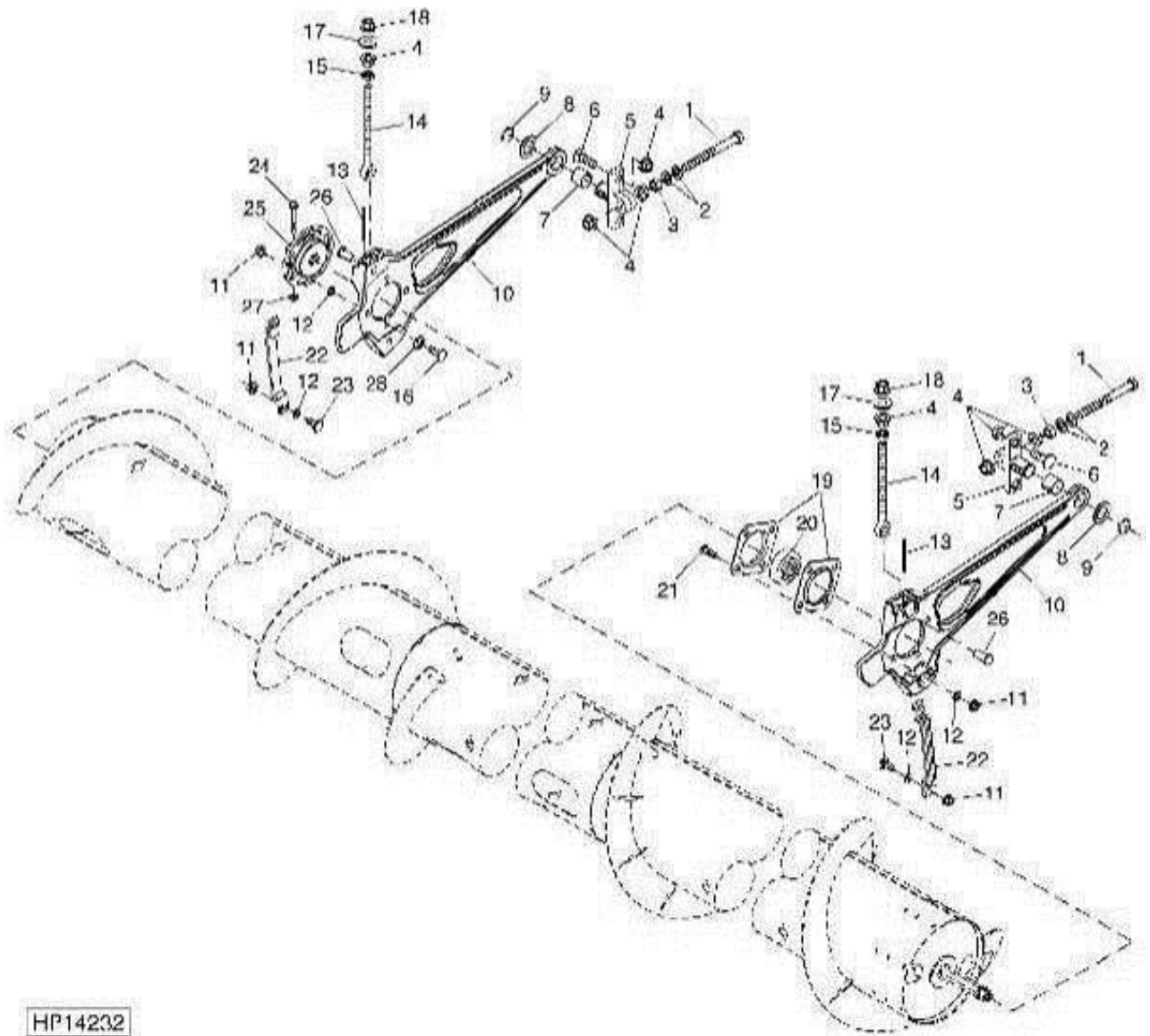


Kardanantriebswelle / Universal Drive Shaft
Premium Flow 618/620/622/625/630/635

Pos.	Bezeichnung	Description	Artikelnummer/ Part No.	Tech. Info	Menge/ Qty.
1	Kardanwelle	Universal Joint with Shaft	AXE10340	618/620/622/ 625/630	1
	Kardanwelle	Universal Joint with Shaft	AXE16590	635	1
2	Kardanwellen Hälfte	Universal Driveshaft	AZ103447		1
3	Sechskantschraube	Cap Screw	19M8088	M12x75	1
4	Kardanwellen Hälfte	Universal Joint with Shaft	AXE10342		1
5	Schutzrohr kpl.	Universal Driveshaft	AZ103450		1
6	Aufkleber	Label	AXE10373		1
7	Schutztrichter	Universal Driveshaft	Z104467		1
8	Schutztrichter	Universal Driveshaft	Z104465		1
9	Kette	Link Chain	AW24500		1
10	Gleitring	Universal Driveshaft	HXE10632		2
11	Schutztrichter Verstärkung	Universal Driveshaft	HXE10633		1
12	Schutztrichter Verstärkung	Universal Driveshaft	Z104466		1
13	Gabel	Universal Driveshaft	AZ103452		1
14	Schutzrohr kpl.	Universal Driveshaft	AZ103449		1
15	QS Verschluss	Universal Driveshaft	AXE10371		1
16	Kreuzgelenk	Universal Driveshaft	AXE10372		2
17	Gabel	Universal Driveshaft	AZ103451		1
18	Blechschraube	Screw	37M7067		6
19	Schmiernippel	Lubrication Fitting	58M5577		2
20	Spannstift	Spring Pin	34M7066	10x80mm	1
21	Zapfwellenprofil	Universal Driveshaft	Z104464		1
22	Zapfwellenprofil	Universal Joint With Shaft	AXE10341		1
23	Gabel	Universal Driveshaft	Z104463		1
24	Stoppmutter	Lock Nut	14M7168	M12	1
25	Sicherungsring	Ring	H168246		1
26	Freilaufbegrenzung	Key	Z106350		4

Förderschneckenhalterung und Schutze/ Auger Brackets and Shields

Premium Flow 618/620/622/625/630

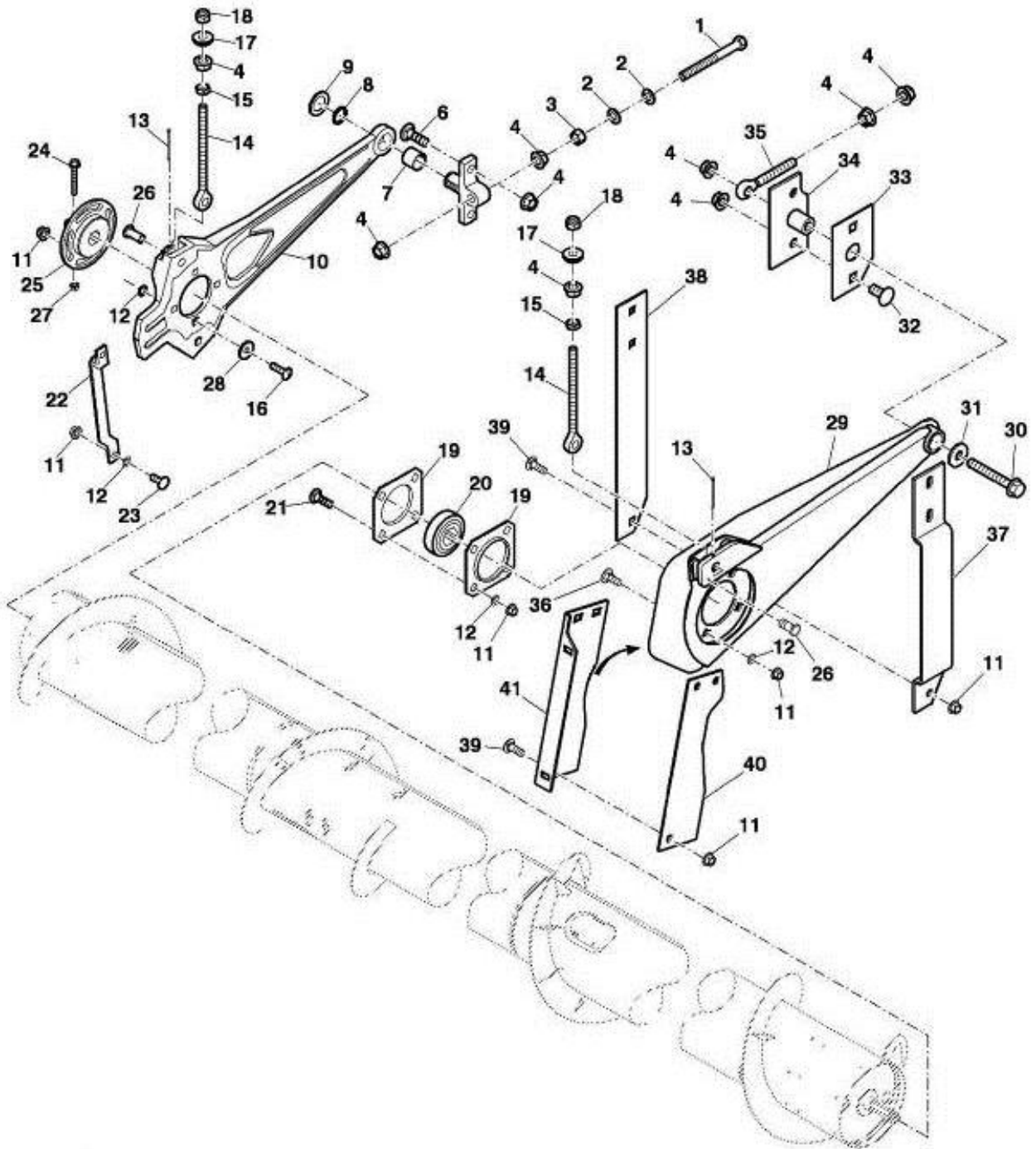


HP14232

Förderschneckenhalterung und Schutze/ Auger Brackets and Shields
Premium Flow 618/620/622/625/630

Pos.	Bezeichnung	Description	Artikelnummer/ Part No.	Tech. Info	Menge/ Qty.
1	Anschlussschraube	Cap Screw	19M7596	M16x160	2
2	Scheibe	Washer	24M7053	17x30x3mm	4
3	Mutter	Nut	14M7276	M16	2
4	Flanschmutter	Flange Nut	14M7291	M16	8
5	Abstützung	Support	H226883		4
6	Bolzen	Bolt	03M7207	M16x50	2
7	Buchse	Bushing	H169371		2
8	Scheibe	Washer	24H1245	1-9/32"x2"x0,105"	2
9	Federring	Snap Ring	P50419		2
10	Armatur	Armature	H207905		AR
11	Flanschmutter	Flange Nut	14M7299	M12	AR
12	Sicherungsscheibe	Push Nut	H143731	12mm	2
13	Federstecker	Cotter Pin	11M7083	3,2x50mm	2
14	Ringschraube	Eyebolt	H152450		2
15	Mutter	Nut	14M7260	M16	4
16	Bolzen	Bolt	H212944	M12x40	2
17	Scheibe	Washer	H178088	M16	2
18	Kontermutter	Lock Nut	14M7328		2
19	Flanschlager Gehäuse	Pressed Flanged Housing	E62484		1
20	Kugellager	Ball Bearing	AE37204		4
21	Bolzen	Bolt	H150316	M12x32	2
22	Arretierung	Retainer	5ZN50351		AR
23	Bolzen	Bolt	03M7198	M12x50	AR
	Bolzen	Bolt	03M7108	M8x70	1
24	Schraube	Screw	19M7803		1
25	Abstützung	Support	H169076		2
26	Bolzen	Pin Fastener	H170006		2
27	Flanschmutter	Flange Nut	14M7298	13x37x3mm	4
28	Scheibe	Washer	24M7180		2

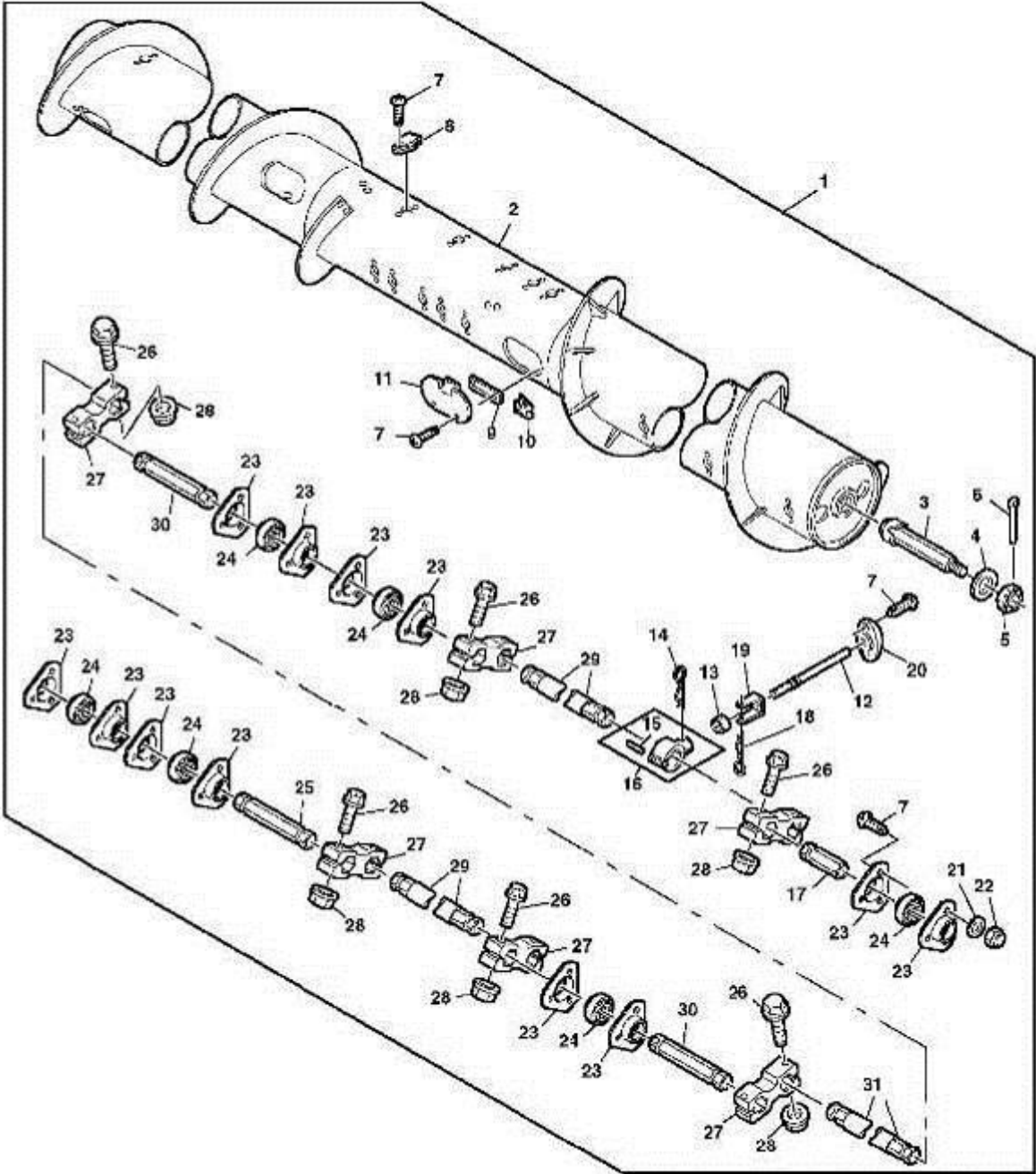
Förderschneckenhalterung und Schutze/ Auger Brackets and Shields Premium Flow 635



Förderschneckenhalterung und Schutze/ Auger Brackets and Shields
Premium Flow 635

Pos.	Bezeichnung	Description	Artikelnummer/ Part No.	Tech. Info	Menge/ Qty.
1	Anschlussschraube	Cap Screw	19M7596	M16x160	2
2	Scheibe	Washer	24M7053	17x30x3mm	4
3	Mutter	Nut	14M7276	M16	2
4	Flanschmutter	Nut	14M7291	M16	8
5	Gelenk	Pivot	H226883		8
6	Bolzen	Bolt	03M7207	M16x50	4
7	Buchse	Bushing	H169371		2
8	Scheibe	Washer	24H1245	1-9/32"x2"x0,105"	2
9	Federring	Snap Ring	P50419		2
10	Armatur	Armature	H231092	RH	2
11	Flanschmutter	Flange Nut	14M7299	M12	AR
12	Sicherungsscheibe	Push Nut	H143731	12mm	AR
13	Federstecker	Cotter Pin	11M7083	3,2x50mm	2
14	Ringschraube	Eyebolt	H152450		2
15	Mutter	Nut	14M7260	M16	2
16	Bolzen	Bolt	Z106092	M12x40	4
17	Scheibe	Washer	H178088	M16	2
18	Kontermutter	Lock Nut	14M7328		2
19	Flanschlager Gehäuse	Pressed Flanged Housing	E62484		2
20	Kugellager	Ball Bearing	AE37204		1
21	Bolzen	Bolt	Z106294	M12x32	4
22	Arretierung	Retainer	5ZN50351	M12x30	2
23	Bolzen	Bolt	03M7198	M12x50	AR
	Bolzen	Bolt	03M7108	M8x70	AR
24	Schraube	Screw	19M7803		1
25	Abstützung	Support	H169076		1
26	Bolzen	Pin Fastener	H170006		2
27	Flanschmutter	Flange Nut	14M7298	13x37x3mm	2
28	Scheibe	Washer	24M7180		4
29	Arm	Arm	5ZN51481	LH	2
30	Schraube	Screw	19M8610	M16x110	1
31	Scheibe	Washer	24H1380	11/16"x1-3/4"x0,194	1
32	Bolzen	Bolt	03M7306	M16x35	1
33	Platte	Plate	H222262		1
34	Pivot	Pivot	AH220824		1
35	Ringschraube	Eyebolt	H172174		1
36	Bolzen	Bolt	Z106294	M12X32	1
37	Bügel	Clamp	5ZN51515		AR
38	Platte	Plate	5ZN51519		AR
39	Bolzen	Bolt	03M7199	M12X35	4
40	Platte	Plate	5ZN51520		AR
41	Bügel	Clamp	5ZN51521		AR
42	Armatur	Armature	AH230998		2

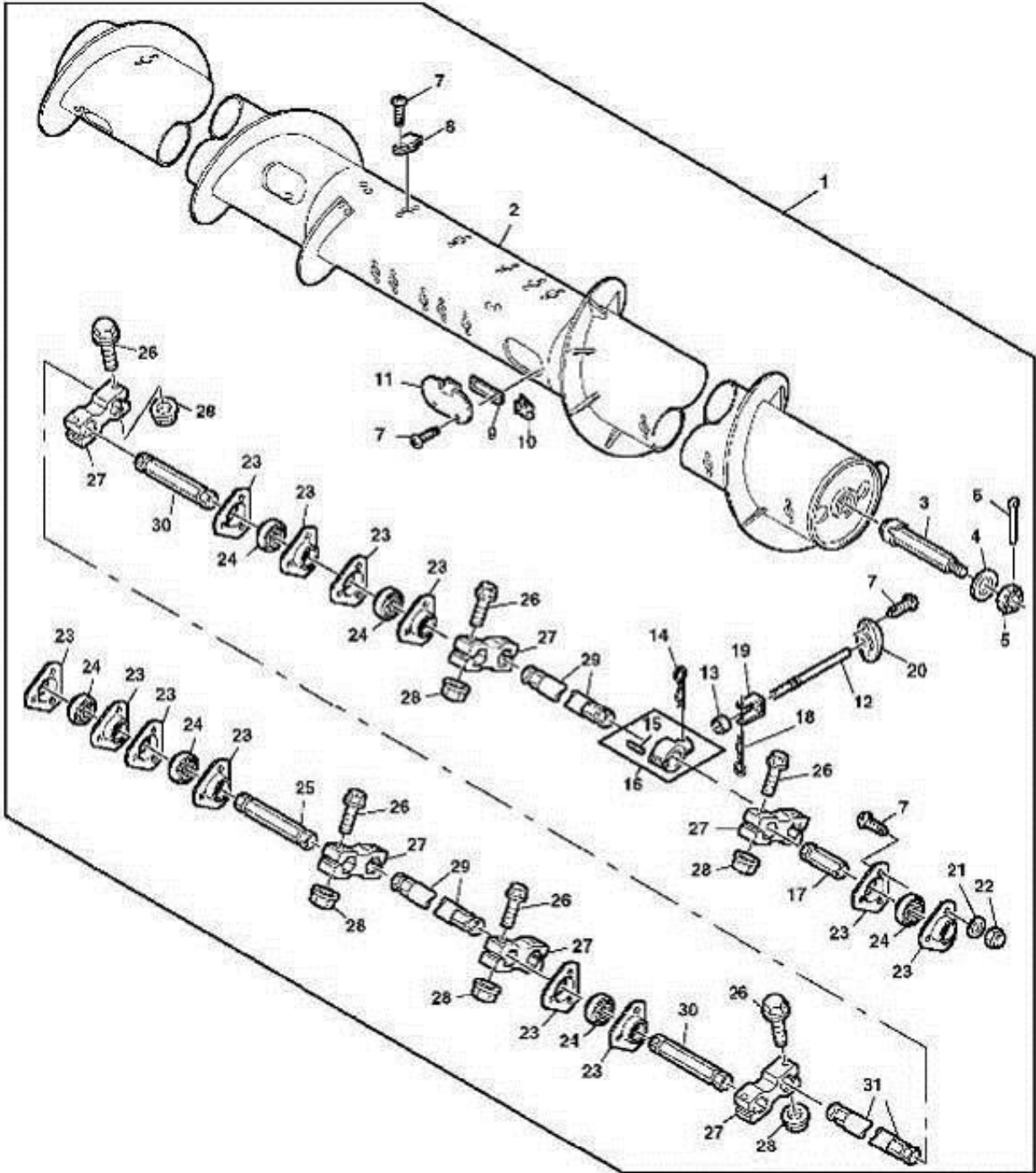
Förderschneckenlager und -wellen/ Full Finger Auger Bearings
and Shafts
Premium Flow 618/620



Förderschneckenlager und -wellen/ Full Finger Auger Bearings and Shafts
Premium Flow 618/620

Pos.	Bezeichnung	Description	Artikelnummer/ Part No.	Tech. Info	Menge/ Qty.
1	Schnecke	Auger	AXE11544	618	1
	Schnecke	Auger	AXE11543	620	1
2	Schnecke	Auger		NSEP	1
3	Achse	Shaft	AH207295	LGTH=454mm	1
4	Scheibe	Washer	24M7243	25,4x50x6mm	1
5	Mutter	Nut	14M7189	M24	1
6	Federstecker	Cotter Pin	11M7030	5x40mm	1
7	Schraube	Screw	H201027		AR
8	Abdeckung	Cover	H87193		7
9	Platte	Plate	H203898		11
10	Mutter	Nut	M84971		22
11	Abdeckung	Cover	H203897		11
12	Finger	Finger	H169914		AR
13	Arretierung	Retainer	H169912		AR
14	Stift	Spring Locking Pin	H169913		AR
15	Stift	Pin	H171190		1
16	Lager	Bearing	AH171602		AR
17	Achse	Shaft	H169045	LGTH=116mm	AR
18	Klappstecker	Spring Locking Pin	28316		AR
19	Arretierung	Retainer	H172459		AR
20	Abdeckung	Cap (Hat)	H168206		AR
21	Scheibe	Washer	24M7096	10,5x18x1,6mm	AR
22	Kontermutter	Lock Nut	14M7167	M10	15
23	Flanschlager Gehäuse	Pressed Flanged Housing	H161529		10
24	Kugellager	Ball Bearing	AN102010		5
25	Sechskantwelle	Bar	H206765	LGTH=543,7mm RH	1
26	Bolzen	Bolt	03M7380	M12x70	12
27	Arm	Crank	H173791		6
28	Kontermutter	Lock Nut	H137329	M12	12
29	Sechskantwelle	Bar	AH206634	LGTH=760mm 618	2
	Sechskantwelle	Structural Tubing	AH206633	LGTH=989mm 618	2
	Sechskantwelle	Structural Tubing	AH206974	LGTH=1445mm 618	2
	Sechskantwelle	Structural Tubing	AH206630	LGTH=1749mm 620	2
30	Welle	Shaft	H169044	LGTH=201mm	2
31	Welle	Shaft	AH162517	LGTH=1348,5mm	1

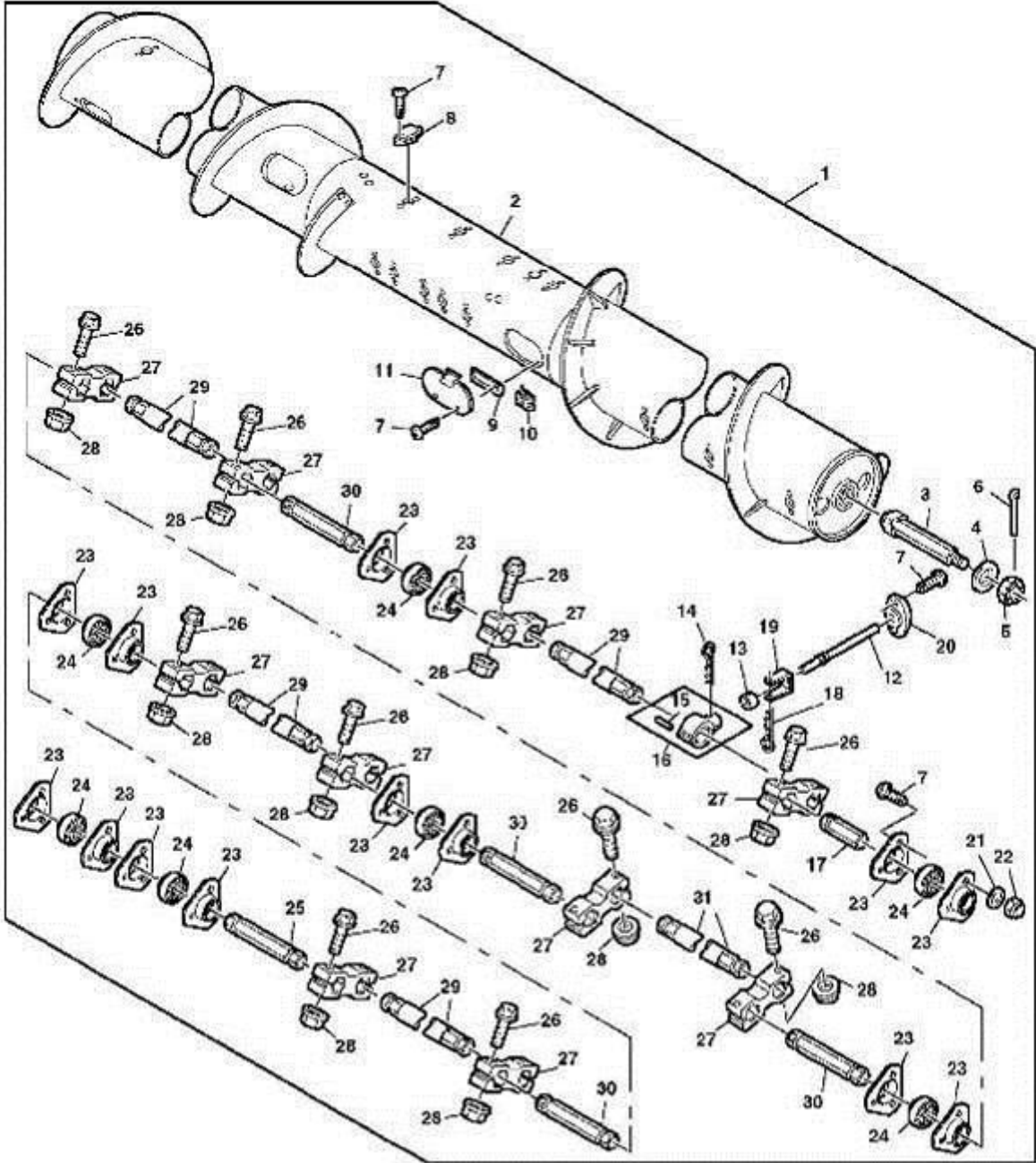
Förderschneckenlager und -wellen/ Full Finger Auger Bearings
and Shafts
Premium Flow 622/625



Förderschneckenlager und –wellen/ Full Finger Auger Bearings and Shafts
Premium Flow 622/625

Pos.	Bezeichnung	Description	Artikelnummer/ Part No.	Tech. Info	Menge/ Qty.
1	Schnecke	Auger	AXE11542	622	1
	Schnecke	Auger	AXE11541	625	1
2	Schnecke	Auger		NSEP	1
3	Achse	Shaft	AH207295	LGTH=454mm	1
4	Scheibe	Washer	24M7243	25,4x50x6mm	AR
5	Mutter	Nut	14M7189	M24	1
6	Federstecker	Cotter Pin	11M7030	5x40mm	1
7	Schraube	Screw	H201027		AR
8	Abdeckung	Cover	H87193		AR
9	Platte	Plate	H203898		AR
10	Mutter	Nut	M84971		AR
11	Abdeckung	Cover	H203897		AR
12	Finger	Finger	H169914		AR
13	Arretierung	Retainer	H169912		AR
14	Stift	Spring Locking Pin	H169913		AR
15	Stift	Pin	H171190		AR
16	Lager	Bearing	AH171602		AR
17	Achse	Shaft	H169045	LGTH=116mm	1
18	Klappstecker	Spring Locking Pin	28316		AR
19	Arretierung	Retainer	H172459		AR
20	Abdeckung	Cap (Hat)	H168206		AR
21	Scheibe	Washer	24M7096	10,5x18x1,6mm	AR
22	Kontermutter	Lock Nut	14M7167	M10	AR
23	Flanschlager Gehäuse	Pressed Flanged Housing	H161529		14
24	Kugellager	Ball Bearing	AN102010		7
25	Sechskantwelle	Bar	H206765	LGTH=543,7mm RH	1
26	Bolzen	Bolt	03M7380	M12x70	10
27	Arm	Crank	H173791		20
28	Kontermutter	Lock Nut	H137329	M12	10
29	Sechskantwelle	Structural Tubing	AH206632	LGTH=927mm 622	4
	Sechskantwelle	Structural Tubing	AH206631	LGTH=1155mm 625	4
30	Welle	Shaft	H169044	LGTH=201mm	4
31	Welle	Shaft	AH162517	LGTH=1348,5mm	1

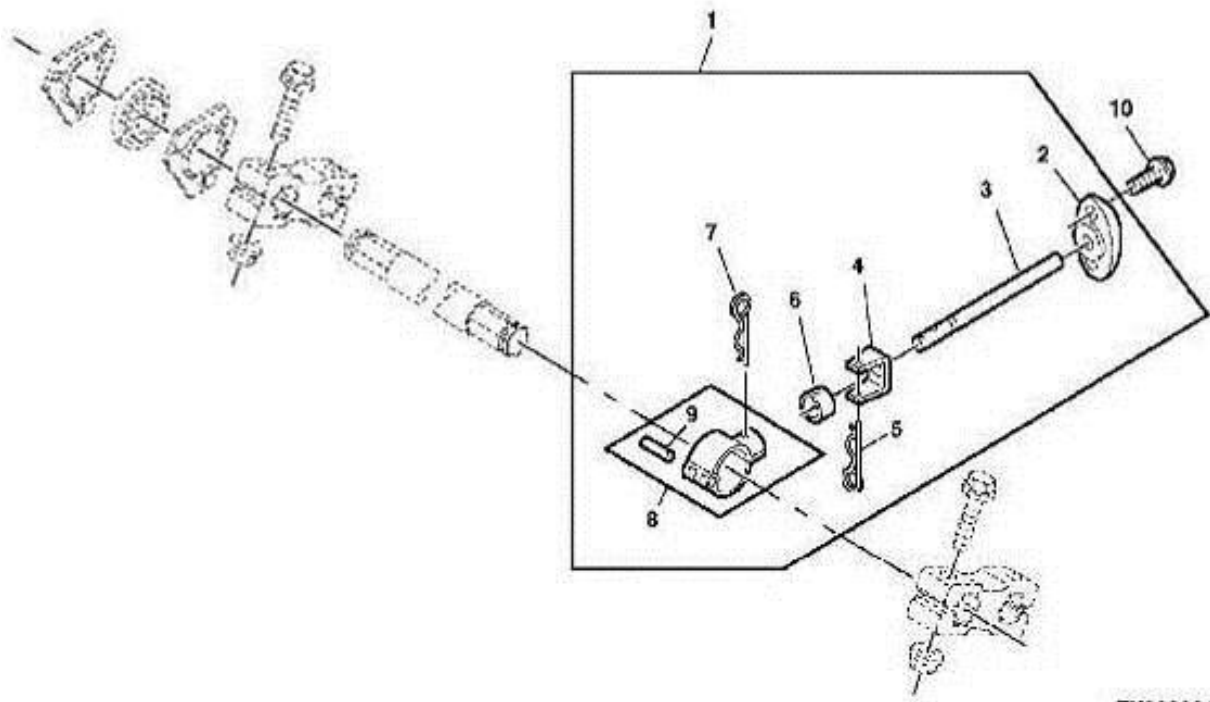
Förderschneckenlager und –wellen/ Full Finger Auger Bearings
and Shafts
Premium Flow 630/635



Förderschneckenlager und -wellen/ Full Finger Auger Bearings and Shafts
Premium Flow 630/635

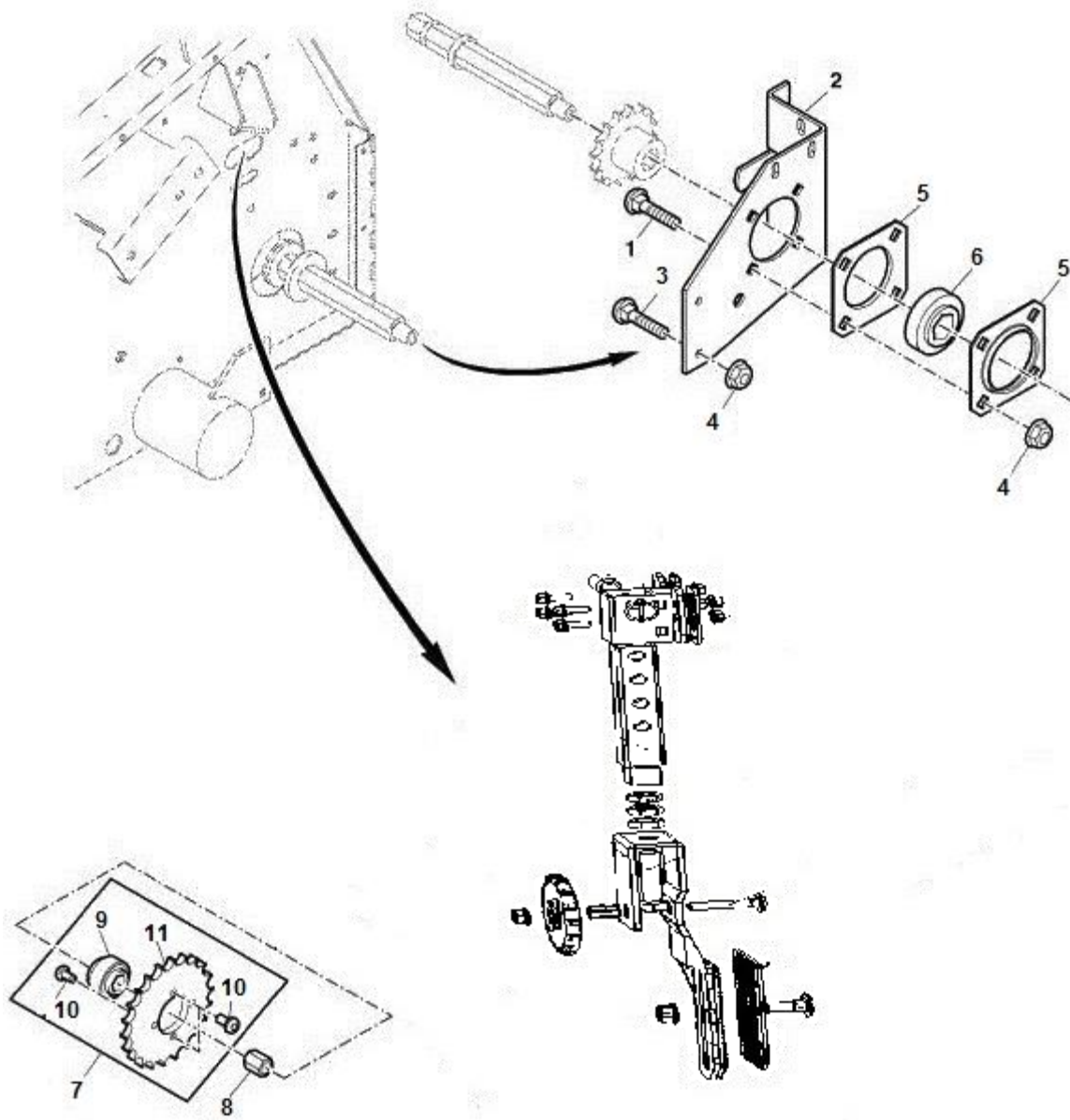
Pos.	Bezeichnung	Description	Artikelnummer/ Part No.	Tech. Info	Menge/ Qty.
1	Schnecke	Auger	AXE11540	630	1
	Schnecke	Auger	AXE16049	635	1
2	Schnecke	Auger		NSEP	1
3	Achse	Shaft	AH206707	LGTH=464mm	1
4	Scheibe	Washer	24M7243	25,4x50x6mm	AR
5	Mutter	Nut	14M7189	M24	1
6	Federstecker	Cotter Pin	11M7030	5x40mm	1
7	Schraube	Screw	H201027		AR
	Bolzen	Bolt	03M7276	M10x25 635	AR
8	Abdeckung	Cover	H87193		AR
9	Platte	Plate	H203898		AR
10	Mutter	Nut	M84971		AR
11	Abdeckung	Cover	Z105015		AR
12	Finger	Finger	H169914		AR
13	Arretierung	Retainer	H169912		AR
14	Stift	Pin	H169913		AR
15	Stift	Pin	H171190		AR
16	Lager	Bearing	AH171602		AR
17	Achse	Shaft	H169045	LGTH=116mm	1
18	Klappstecker	Spring Locking Pin	28316		AR
19	Arretierung	Retainer	H172459		AR
20	Abdeckung	Cap (Hat)	H168206		AR
21	Scheibe	Washer	24M7096	10,5x18x1,6mm	AR
22	Kontermutter	Lock Nut	14M7167	M10	AR
23	Flanschlager Gehäuse	Pressed Flanged Housing	H161529		14
24	Kugellager	Ball Bearing	AN102010		7
25	Sechskantwelle	Bar	H206765	LGTH=543,7mm RH	1
26	Bolzen	Bolt	03M7380	M12x70	20
27	Arm	Crank	H173791		10
28	Kontermutter	Lock Nut	H137329	M12	20
29	Sechskantwelle	Structural Tubing	AH206629	LGTH=1537mm 630	4
	Sechskantwelle	Structural Tubing	AH208260	LGTH=1918mm 635	4
30	Welle	Shaft	H169044	LGTH=201mm	4
31	Welle	Shaft	AH162517	LGTH=1348,5mm	1

Förderschneckenfinger und Träger / Auger Finger And Support Premium Flow 618/620/622/625/630/635



Pos.	Bezeichnung	Description	Artikelnummer/ Part No.	Tech. Info	Menge/ Qty.
1	Finger	Finger	AZ60037		1
2	Abdeckung	Cap (Hut)	H168206		7
3	Finger	Finger	H169914		7
4	Arretierung	Retainer	H172459		7
5	Klappstecker	Spring Locking Pin	28316		7
6	Arretierung	Retainer	H169912		7
7	Stift	Pin	H169913		7
8	Lager	Bearing	AH171602		7
9	Stift	Pin	H171190		7
10	Schraube	Screw	H201027		2

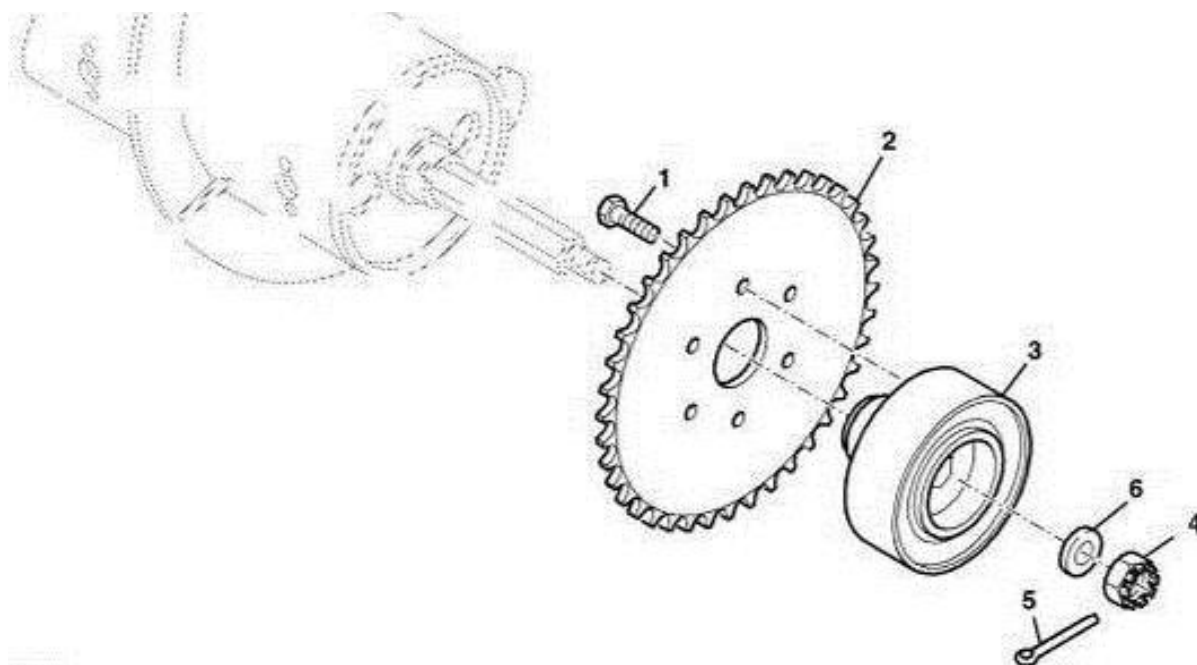
Lager und Kettenspanner für Antrieb der Einzugsschnecke/
Bearings and Chain Tensioner for Auger Drive
Premium Flow 618/620/622/625/630/635



Lager und Kettenspanner für Antrieb der Einzugsschnecke/ Bearings and Chain
Tensioner for Auger Drive
Premium Flow 618/620/622/625/630/635

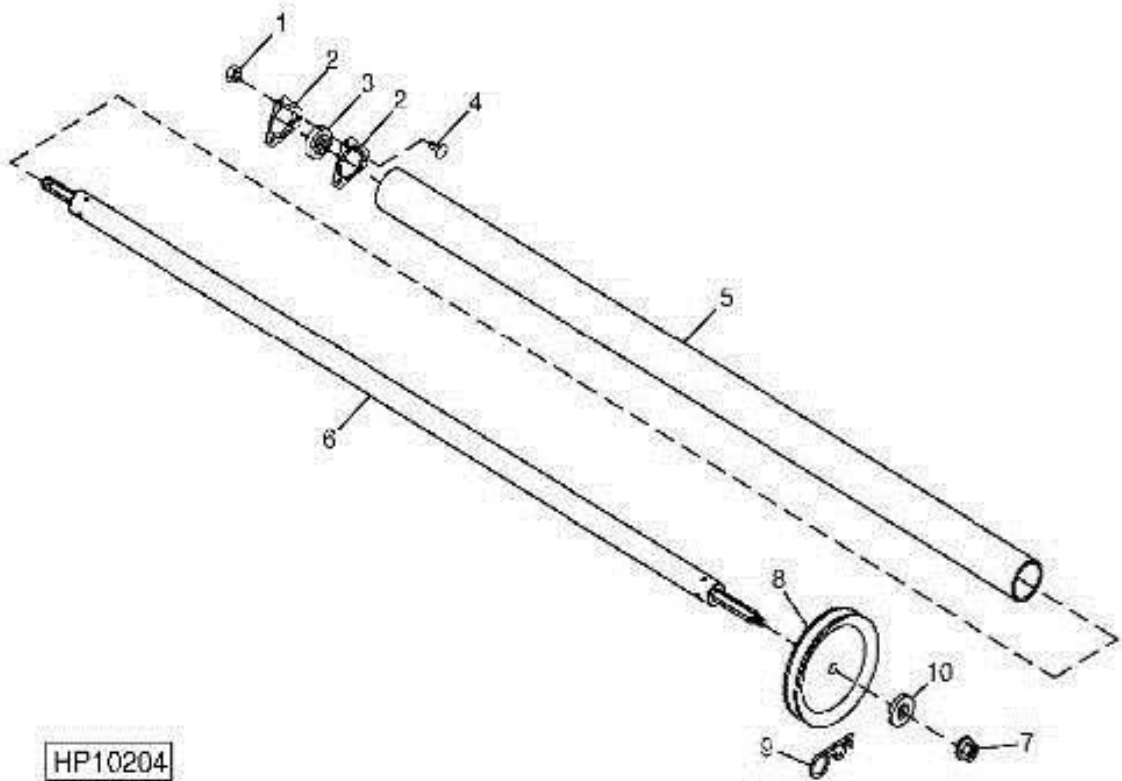
Pos.	Bezeichnung	Description	Artikelnummer/ Part No.	Tech. Info	Menge/ Qty.
1	Bolzen	Bolt	03M7197	M12x25	4
2	Auflagerbock	Bracket	H216306	618/620/622	1
	Auflagerbock	Bracket	H220416	625/630/635	1
3	Bolzen	Bolt	03M7193	M10x35	5
4	Flanschmutter	Flange Nut	14M7296	M10	AR
5	Flanschlager Gehäuse	Pressed Flange Housing	H161529	618/620/622	2
	Flanschlager Gehäuse	Pressed Flange Housing	E62484	625/630/635	2
6	Kugellager	Ball Bearing	AN102010	618/620/622	1
	Kugellager	Ball Bearing	AE37204	625/630/635	1
7	Spannrad komplett	Idler Sprocket	AH206131	60H 618/620/622	1
	Spannrad komplett	Idler Sprocket	AXE11317	80H 625/630/635	1
8	Buchse	Bushing	H147370		1
9	Kugellager	Ball Bearing	JD7126		1
10	Schraube	Screw	H86918		4
11	Spannrad	Idler Sprocket	HXE12266		1
12	Kettenspanner	Chain Tensioner		See Page 103	1

Rutschkupplung Förderschnecke/ Auger Slip Clutch Premium Flow 618/620/622/625/630/635



Pos.	Bezeichnung	Description	Artikelnummer/ Part No.	Tech. Info	Menge/ Qty.
1	Schraube	Screw	19M7787	M12x20	6
2	Kettenrad	Chain Sprocket	5ZN51036	618/620/622	1
	Kettenrad	Chain Sprocket	5ZN51125	625/630/635	1
3	Rutschkupplung	Slip Clutch	AH226112	618-630	1
	Rutschkupplung	Slip Clutch	AXE15323	635	1
4	Mutter	Nut	14M7189	M24	1
5	Splint	Cotter Pin	11M7030	5x40mm	1
6	Scheibe	Washer	24M7237	25,4x50x6mm	1

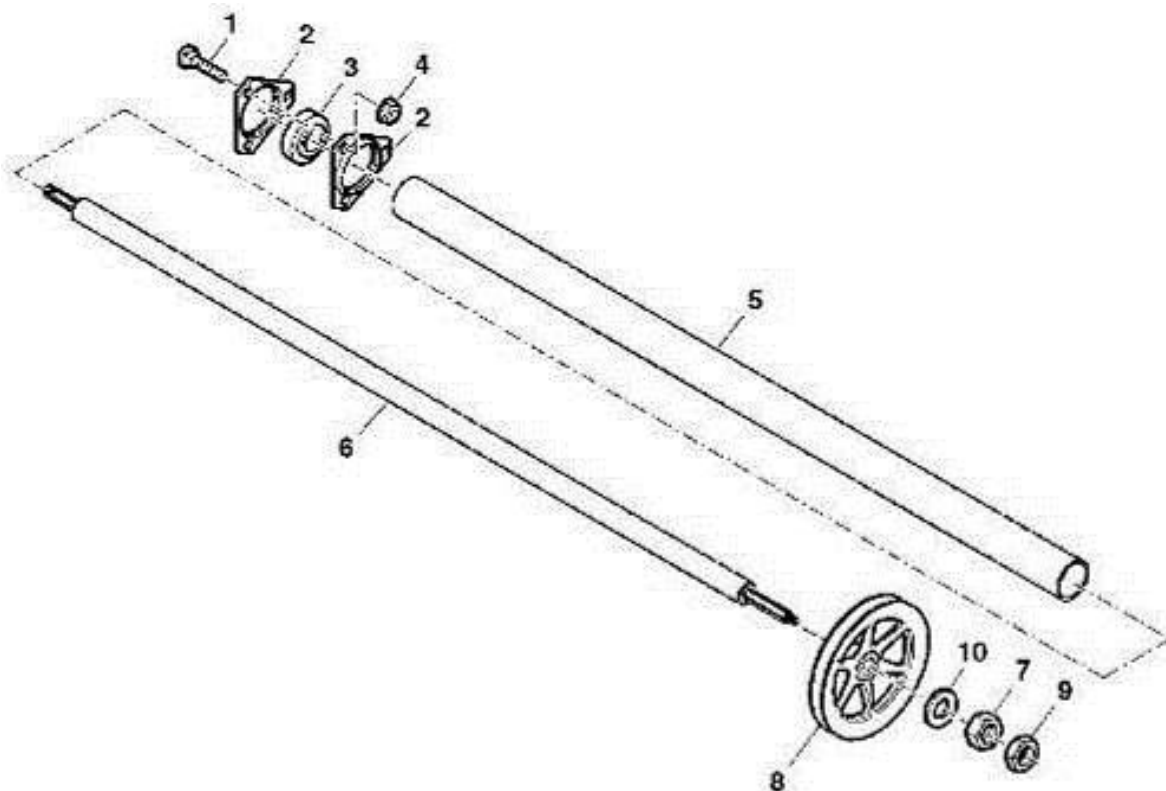
Vorgelegewelle/ Backshaft Premium Flow 618/620/622



HP10204

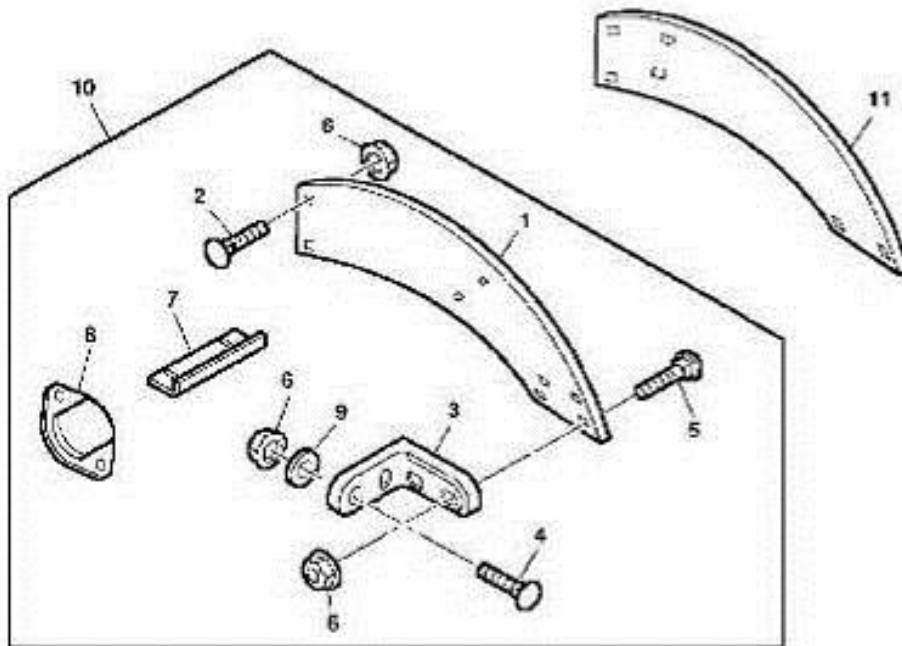
Pos.	Bezeichnung	Description	Artikelnummer/ Part No.	Tech. Info	Menge/ Qty.
1	Flanschmutter	Flange Nut	14M7296	M10	3
2	Kettenrad	Pressed Flanged Housing	H161529		2
3	Kugellager	Ball Bearing	AN102010		1
4	Bolzen	Bolt	03M70191	M10x25	3
5	Schutz	Shield	H174260	618	1
	Schutz	Shield	H172784	620	1
	Schutz	Shield	H172783	622	1
6	Antriebswelle	Drive Shaft	AH168320	618	1
	Antriebswelle	Drive Shaft	AH166888	620	1
	Antriebswelle	Drive Shaft	AH166890	622	1
7	Kontermutter	Lock Nut	14M7340		1
8	Antriebsscheibe	Pulley	H220998	279mm	1
	Antriebsscheibe	Pulley	H232235	300mm	1
9	Klappstecker	Cotter Pin	11M7087		1
10	Scheibe	Washer	Z76397		1

Vorgelegewelle/ Backshaft Premium Flow 625/630/635



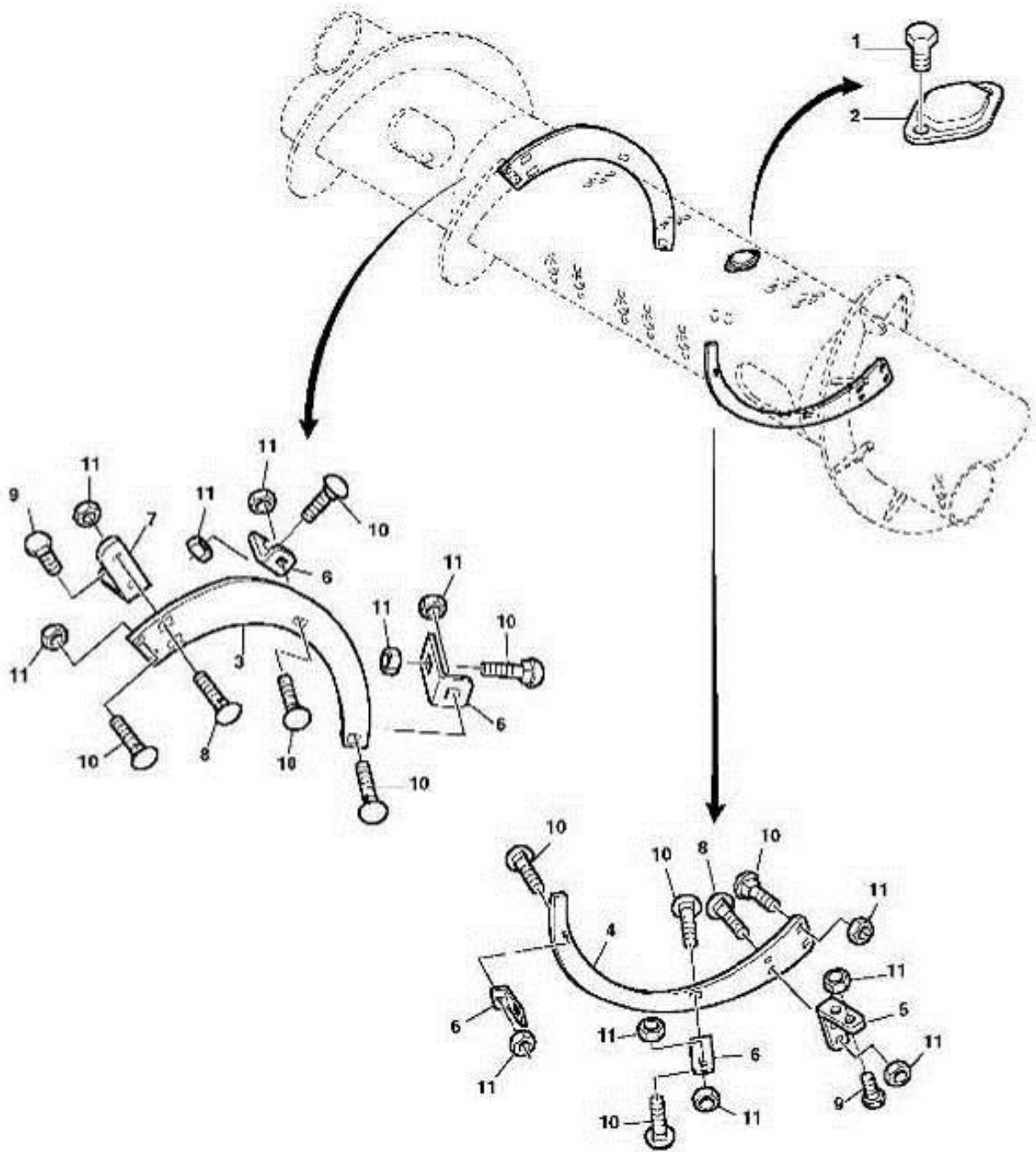
Pos.	Bezeichnung	Description	Artikelnummer/ Part No.	Tech. Info	Menge/ Qty.
1	Schraube	Flange Nut	14M7296	M10	3
2	Flanschlager Gehäuse	Pressed Flange Housing	H161529		2
3	Kugellager	Ball Bearing	AN102010		1
4	Bolzen	Bolt	03M7191	M10x25	3
5	Schutz	Shield	H172782	625	1
	Schutz	Shield	H172533	630/635	1
6	Antriebswelle	Drive Shaft	AXE10868	625	1
	Antriebswelle	Drive Shaft	AXE10828	630/635	1
7	Mutter	Nut	14M7240	M24	1
8	Antriebsscheibe	Pulley	HXE22628	625	1
	Antriebsscheibe	Pulley	H232236	630/635	1
	Antriebsscheibe	Pulley	5ZN51247	630/635	1
9	Mutter	Nut	14M7240	M24	1
10	Scheibe	Washer	24M7237	25,4x50x6mm	1

Schneckenangverlängerungen/ Auger Flight Extensions Premium Flow 618/620/622/625/630/635



Pos.	Bezeichnung	Description	Artikelnummer/ Part No.	Tech. Info	Menge/ Qty.
1	Verlängerung	Extension	Z106381	RH	1
	Verlängerung	Extension	Z106380	LH	1
2	Bolzen	Bolt	03M7185	M8x25	4
3	Gusswinkel	Gusset	H145998	LH	2
	Gusswinkel	Gusset	H145997	RH	2
4	Schraube	Screw	19M8317	M8x40	8
5	Bolzen	Bolt	03M7187	M8x35	8
6	Flanschmutter	Flange Nut	14M7298	M8	20
7	Abstreifer	Stripper	H204515		2
8	Abdeckung	Cover	H87193		7
9	Scheibe	Washer	Z26243		8
10	Schneckenwindungs- verlängerung	Flight	AZ60038	Short	1
11	Verlängerung	Extension	H171647	Short RH 618,620,622,625,630	1
	Verlängerung	Extension	H171648	Short LH 618,620,622,625,630	1
	Verlängerung	Extension	H172325	Short LH 635	1
	Verlängerung	Extension	H172324	Short LH 635	1
	Verlängerung	Extension	H201077	Long RH	1
	Verlängerung	Extension	H201076	Long LH	1

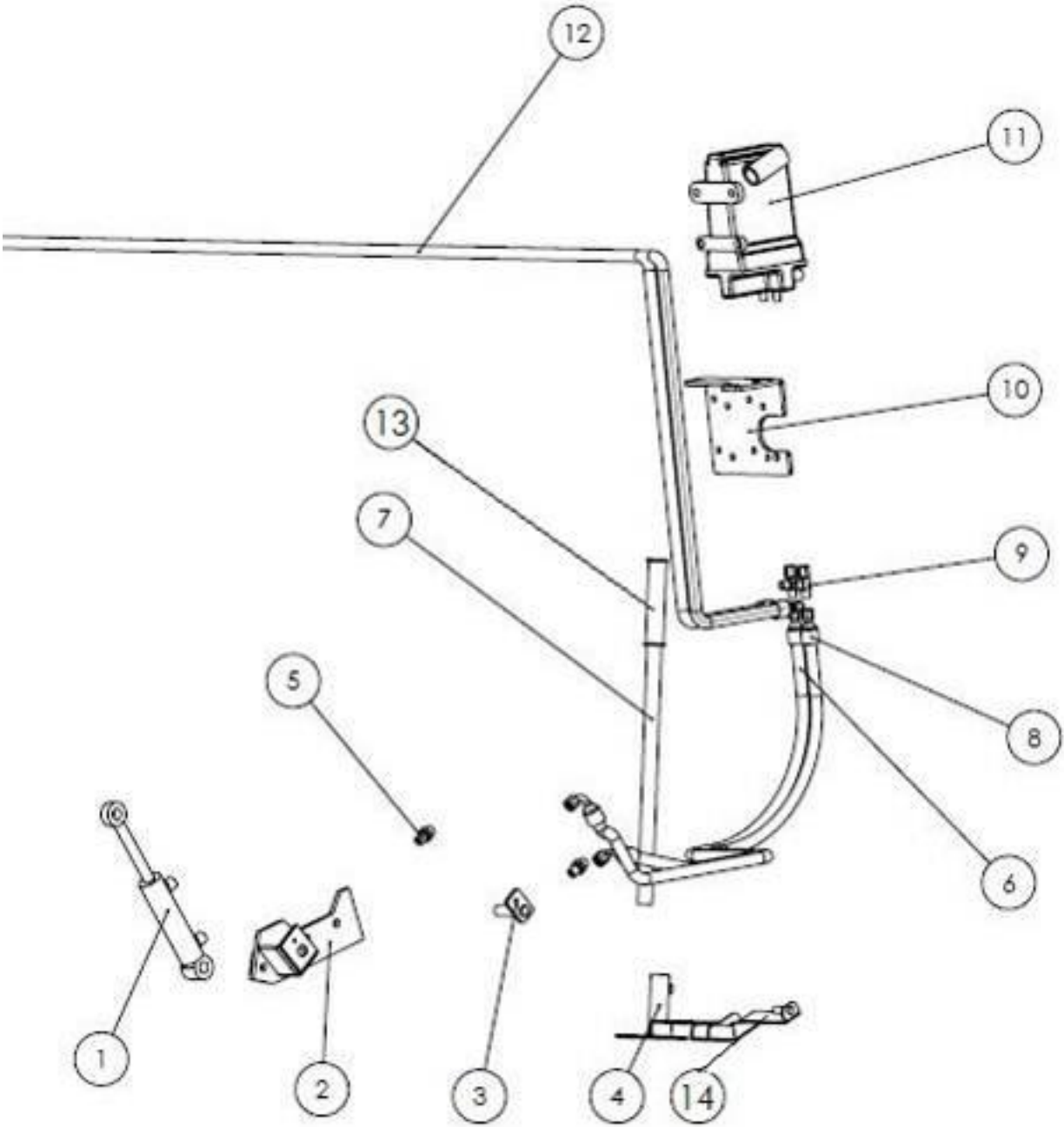
Schneckengangverlängerung/ Auger Flight Extensions Premium Flow 618/620/622/625/630/635



Schneckengangverlängerung/ Auger Flight Extensions
Premium Flow 618/620/622/625/630/635

Pos.	Bezeichnung	Description	Artikelnummer/ Part No.	Tech. Info	Menge/ Qty.
1	Schraube	Screw	H201027		44
2	Abdeckung	Cover	H87193		22
3	Blech	Sheet	Z106382	LH	1
4	Blech	Sheet	Z106383	RH	1
5	Gusswinkel	Gusset	H145998	LH	1
6	Scheibe	Angle	Z100711		4
7	Gusswinkel	Gusset	H145997	RH	1
8	Bolzen	Bolt	03M7187	M8x35	8
9	Schraube	Screw	19M8317	M8x40	4
10	Bolzen	Bolt	03M7185	M8x25	12
11	Flanschmutter	Flange Nut	14M7298	M8	24
	Scheibe	Washer	Z26243	9,5x24x2mm	12
	Scheibe	Screw	19M7867	M8x25	4

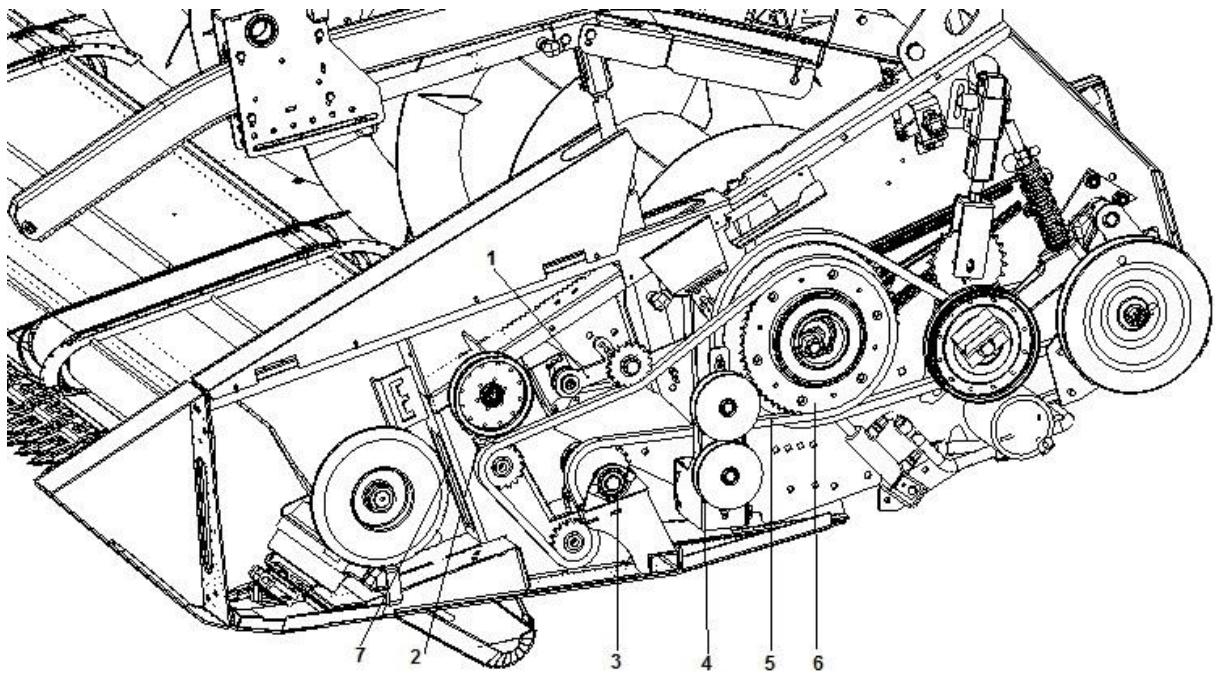
Einzugschneckenhöhenverstellung / Auger High Adjustment
Premium Flow 618/620/622/625/630/635



Einzugschneckenhöhenverstellung / Auger High Adjustment
Premium Flow 618/620/622/625/630/635

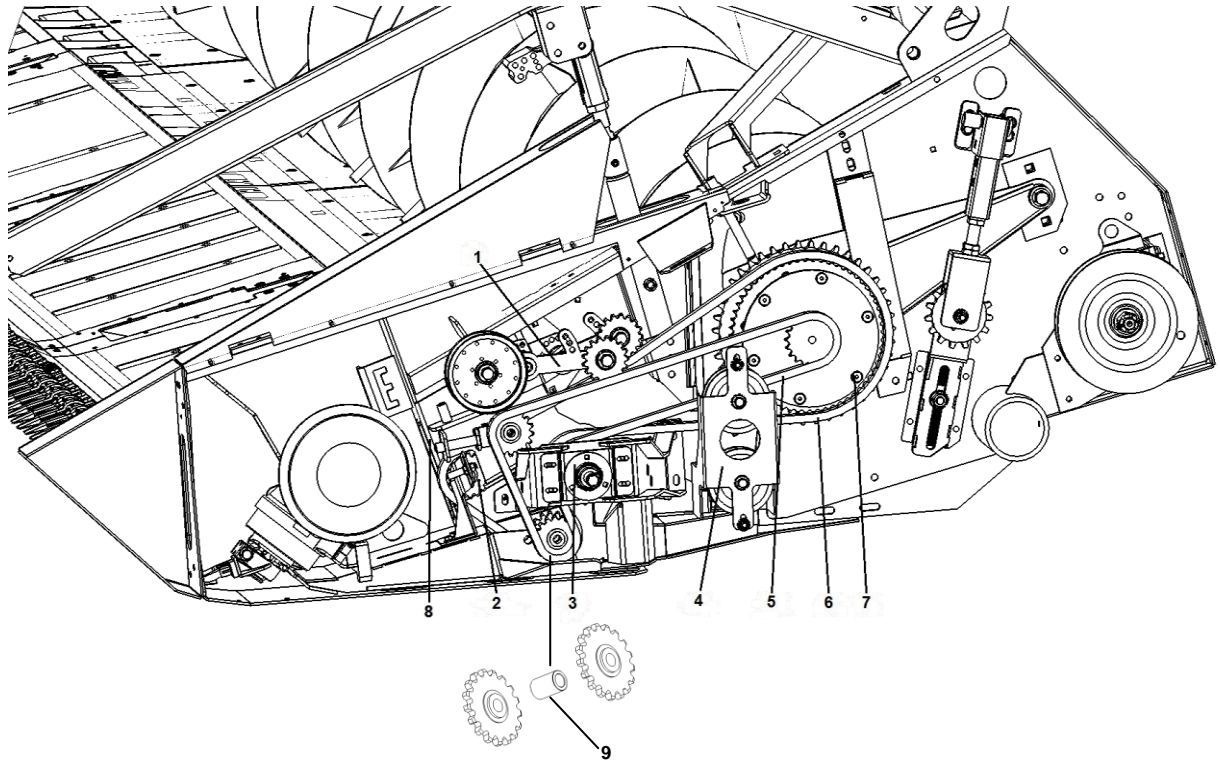
Pos.	Bezeichnung	Description	Artikelnummer/ Part No.	Tech. Info	Menge / Qty.
1	Hydraulikzylinder Einzugschneckenhöhenverstellung	Hydraulic Cylinder Auger High Adjustment	5ZN50348		1
2	Zylinderhalter Rechts	Holder Bracket Right	5ZN50367		1
	Zylinderhalter Links	Holder Bracket Left	5ZN50352		1
3	Bolzen	Pin	5ZN50353		1
4	Halter und Schlauchschutz komplett	Support and Hose Guard Complete	5ZN50381		1
5	Einschraubstück Zylinder	Adapter Cylinder	5ZN50349		3
6	Schlauch 700mm Anschluss 45°	Hydraulic Hose 700mm 45°	5ZN50347		1
7	Pumpenhebel Komplett	Lever with Grip	5ZN50380		1
8	Schlauch 800mm Anschluss 90°	Hydraulic Hose 800mm 90°	5ZN50346		1
9	T-Stück 6L P-EL V6LS	T-Adapter	5ZN50377		1
10	Pumpenhalter	Holder Bracket Pump	5ZN50378		1
11	Hydraulikpumpe FHP17E	Hydraulic Pump	5ZN50376		1
12	Hydraulikschlauch 18ft Schlauchlänge 7000mm	Hydraulic Hose 18ft	5ZN50362		1
	Hydraulikschlauch 20ft Schlauchlänge 7600mm	Hydraulic Hose 20ft	5ZN50363		1
	Hydraulikschlauch 22ft Schlauchlänge 8200mm	Hydraulic Hose 22ft	5ZN50364		1
	Hydraulikschlauch 25ft Schlauchlänge 9050mm	Hydraulic Hose 25ft	5ZN50365		1
	Hydraulikschlauch 30ft Schlauchlänge 10650mm	Hydraulic Hose 30ft	5ZN50366		1
	Hydraulikschlauch 35ft Schlauchlänge 12180mm	Hydraulic Hose 35ft	5ZN51345		1
13	Kunststoffgriff für Pumpenhebel	Handle	5ZN50379		1
14	Federndes Druckstück GN 615-M8-KS	Spring Plunger	5ZN50382		1

Bandantrieb / Belt Drive Premium Flow 618/620/622/625/630



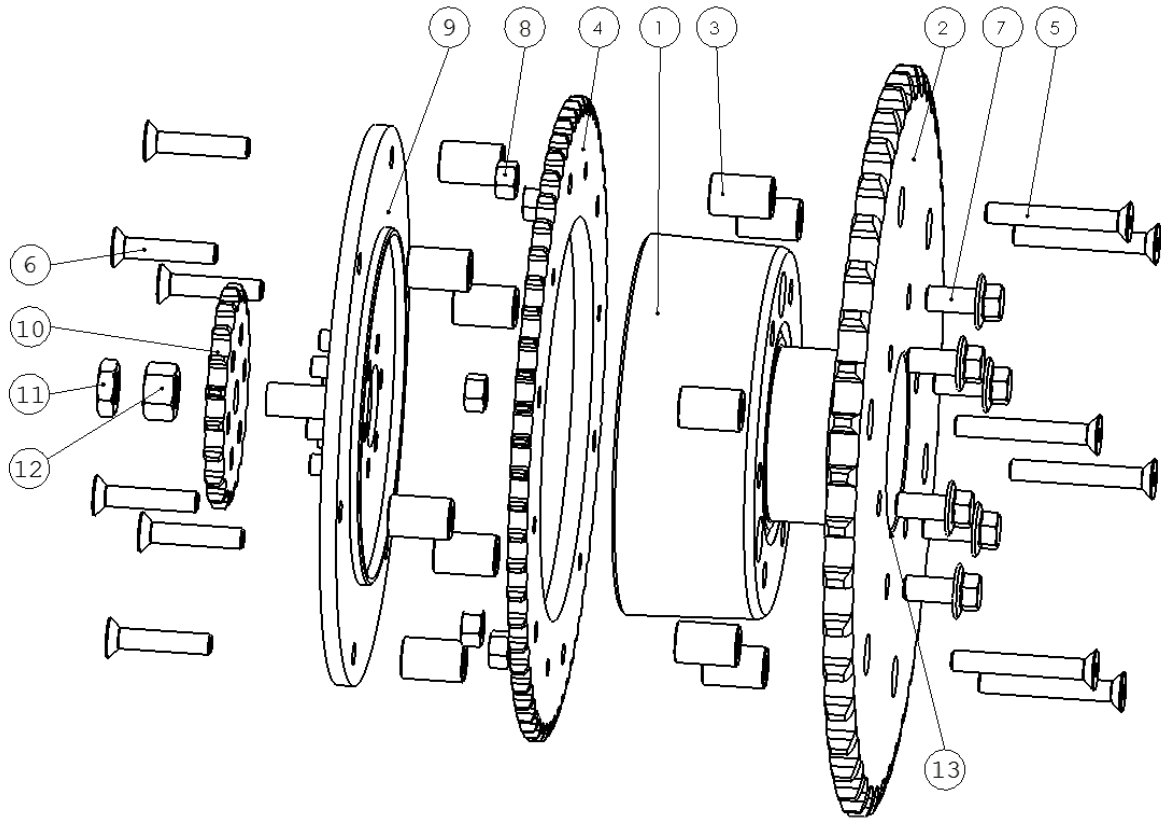
Pos.	Bezeichnung	Description	Artikelnummer/ Part No.	Tech. Info	Menge/ Qty.
1	Automatischer Kettenspanner	Automatic Chain Adjuster	5ZN51061	See Page 99	1
2	Kettenspanner	Chain Tensioner		See Page 100	1
3	Bandantrieb komplett	Belt Drive Shaft Complete		See Page 99	1
4	Halter	Pulley Support	5ZN50253	See Page 69	1
5	Bandantriebskette	Belt Drive Chain	5ZN51337	50H	1
6	Kettenrad	Chain Sprocket	5ZN50334		1
7	Deckelblech Randtraverse links	Cover, Cross Bar	5ZN51112		1
	Kettenschloss	Joining Link 50H	5ZN50336		AR
	Halbes Glied	Half Link 50H	5ZN50337		AR

Bandantrieb / Belt Drive Premium Flow 635



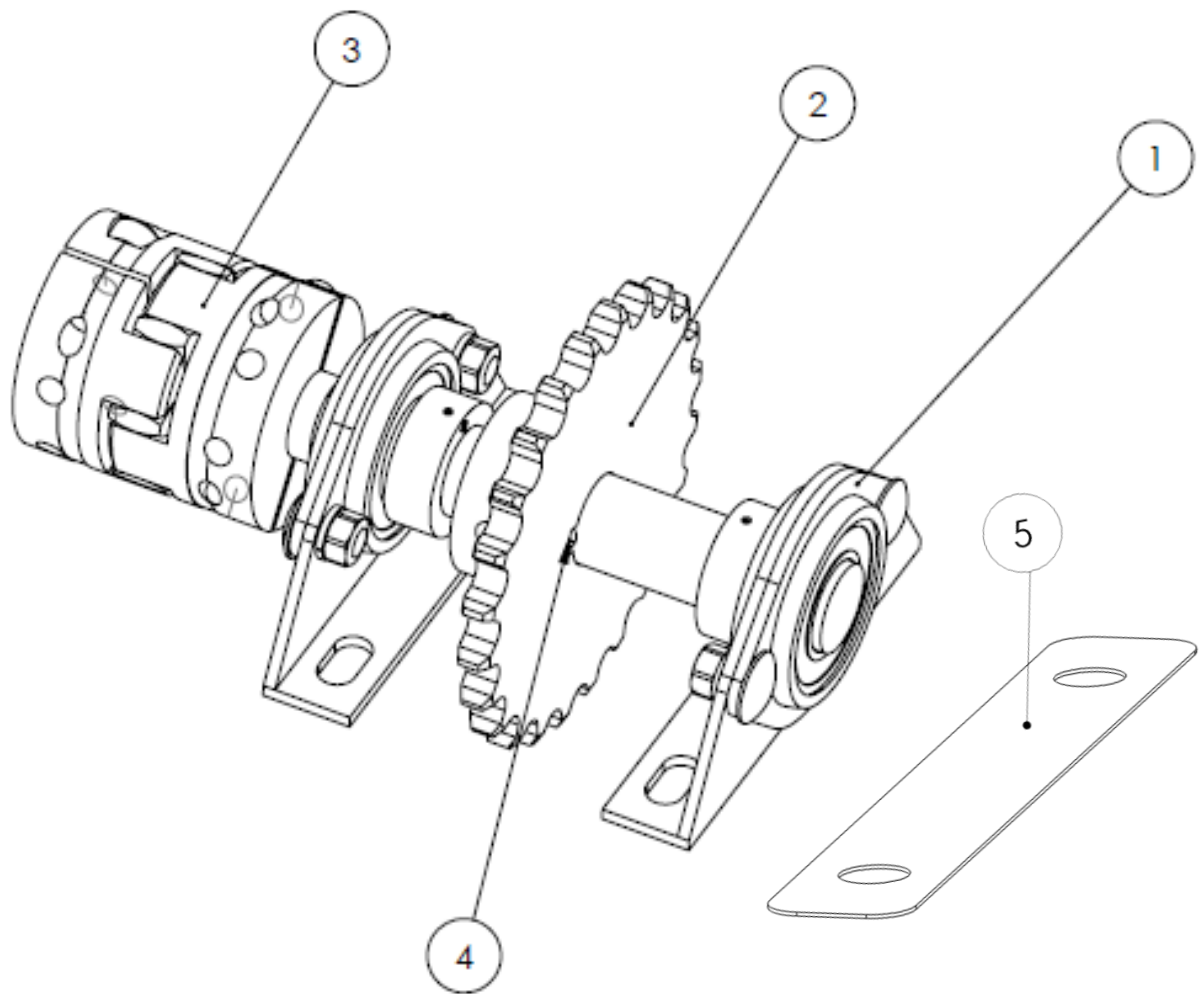
Pos.	Bezeichnung	Description	Artikelnummer/ Part No.	Tech. Info	Menge/ Qty.
1	Automatischer Kettenspanner	Automatic Chain Adjuster	5ZN51611		1
2	Kettenspanner	Chain Tensioner		See Page 100	1
3	Lagerhalter Bandantriebswelle und Bandantrieb komplett	Bracket Drive Shaft and Belt Drive Shaft Complete		See Page 101,104	1
4	Halter	Pulley Support	5ZN50253	See Page 70	1
5	Bandantriebskette außen	Belt Drive Chain Outside	5ZN51865	Chain 50H + 2 x Half link +Joining link	1
	Bandantriebskette außen	Belt Drive Chain Outside	5ZN51948	Chain 5/8" 50H for sprocket 40 teeth	
6	Bandantriebskette innen	Belt Drive Chain Inside	5ZN51866	Chain 50H + Half link +Joining link	1
7	Kettenrad, langsame Geschwindigkeit	Sprocket, Slow Speed	5ZN51564		1
8	Deckelblech Randtraverse links	Cover, Cross Bar	5ZN51112		1
9	Distanzhülse	Spacer	5ZN51901		1
	Kettenschloss	Joining Link 50H	5ZN50336		AR
	Halbes Glied	Half Link 50H	5ZN50337		AR

Rutschkupplung Einzugschnecke / Slip Clutch Auger Drive Premium Flow 618/620/622/625/630/635



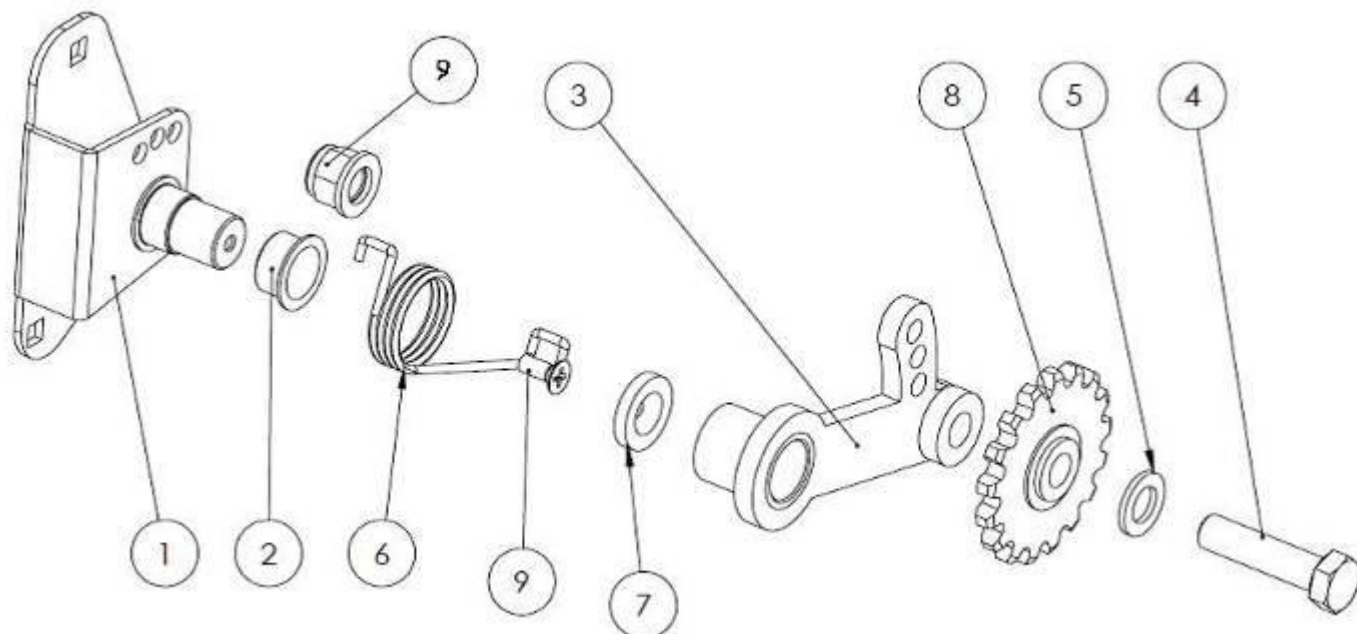
Pos.	Bezeichnung	Description	Artikelnummer/ Part No.	Tech. Info	Menge/ Qty.
1	Rutschkupplung	Slip Clutch	AXE15323	635	1
	Rutschkupplung	Slip Clutch	AH226112	618/620/622/625/630	1
2	Kettenrad	Chain Sprocket	5ZN51036	618/620/622	1
	Kettenrad	Chain Sprocket 80H	5ZN51125	44 Teeth 625/630 and 635 till MY2014	1
	Kettenrad	Chain Sprocket		40 Teeth 35Ft from MY2015	1
3	Distanzhülse 40mm	Spacer 40mm	5ZN50335	618/620/622/625/630	6
	Distanzhülse 30mm	Spacer 30mm	5ZN51361	635	12
4	Kettenrad	Chain Sprocket 50H	5ZN50334	60 Teeth	1
5	Senkschraube	Countersunk Bolt	5ZN70142	M10 x 75 DIN 7991	6
6	Senkschraube	Countersunk Bolt	5ZN70342	M10 x 50 635	6
7	Bolzen	Bolt	19M7789	M12x20	6
8	Stoppmutter	Locknut	14M7400	M10 ISO 7719	5
9	Adapterscheibe	Flange Plate	5ZN51954	635	1
10	Wechselzahnrad	Chain Sprocket	5ZN51951	20 teeth 635	1
10.1	Wechselzahnrad	Chain Sprocket	5ZN51952	40 teeth 635	1
11	Mutter	Nut	5ZN70018	M16 635	1
12	Mutter	Nut	5ZN70456	M16 635	1
13	Gleitbuchse	Bushing	5ZN51734	GSM 1213-10 not shown	6

Antriebswelle Bandantrieb / Shaft Belt Drive Premium Flow 618/620/622/625/630



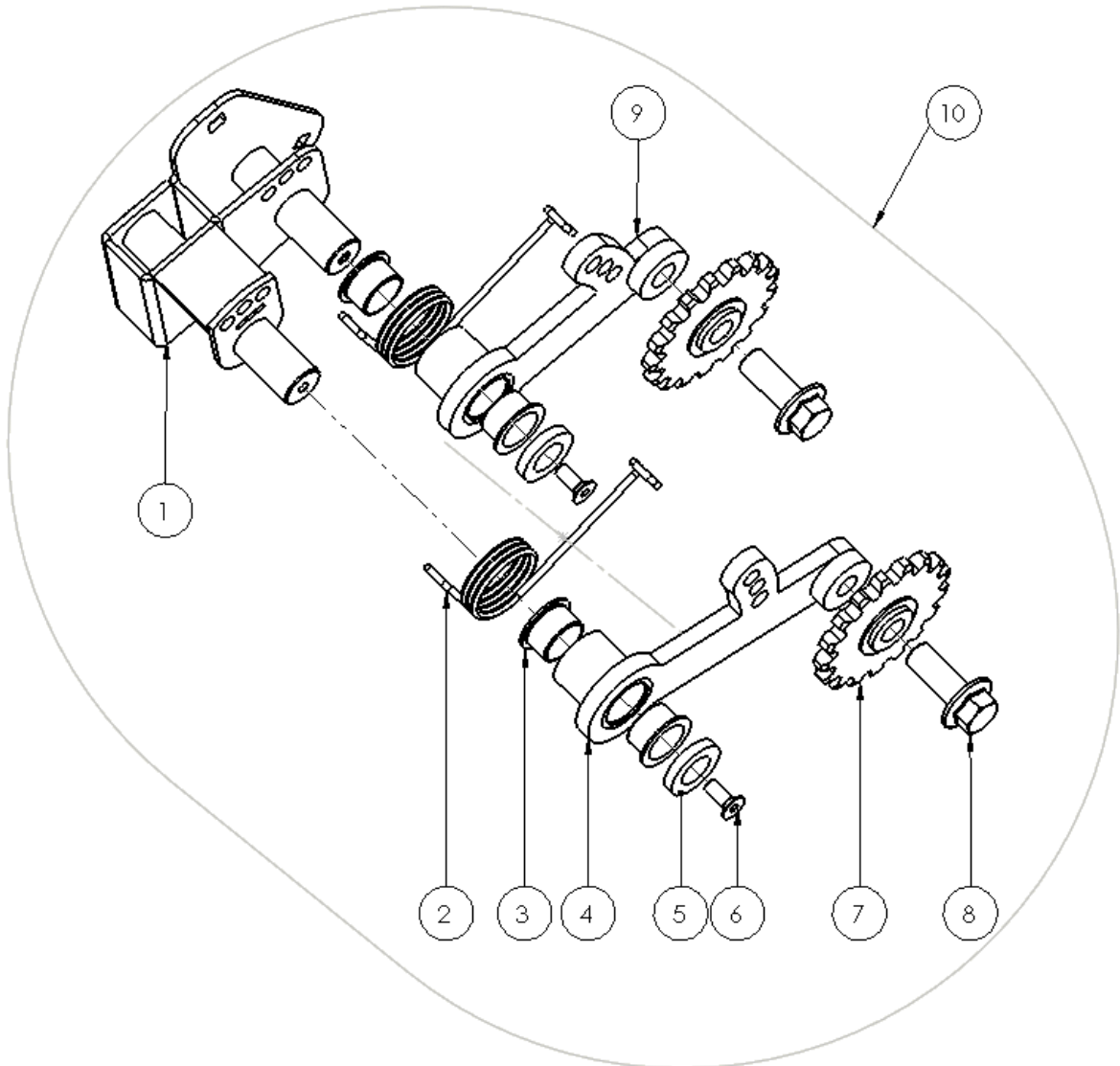
Pos.	Bezeichnung	Description	Artikelnummer/ Part No.	Tech. Info	Menge/ Qty.
1	Stehlager Komplett	Bearing Complete	5ZN50758		1
2	Zahnrad	Sprocket	5ZN50120	Z=24	1
	Passfeder	Feather Key	5ZN50243		1
3	Rotex Kupplung Komplett	Rotex Coupling Complete	5ZN50902		1
4	Antriebswelle	Shaft	5ZN50119		1
5	Unterlegscheibe Stehlager T=0,5	Washer for the Bearing 0,5mm	5ZN51107		AR
	Unterlegscheibe Stehlager T=0,75	Washer for the Bearing 0,75mm	5ZN51108		AR
1-4	Bandantriebswelle	Belt Drive Shaft	5ZN51869	618/620/622/ 625/630	1

Kettenspanner Bandantrieb / Tension System Belt Drive Chain Premium Flow 618/620/622/625/630



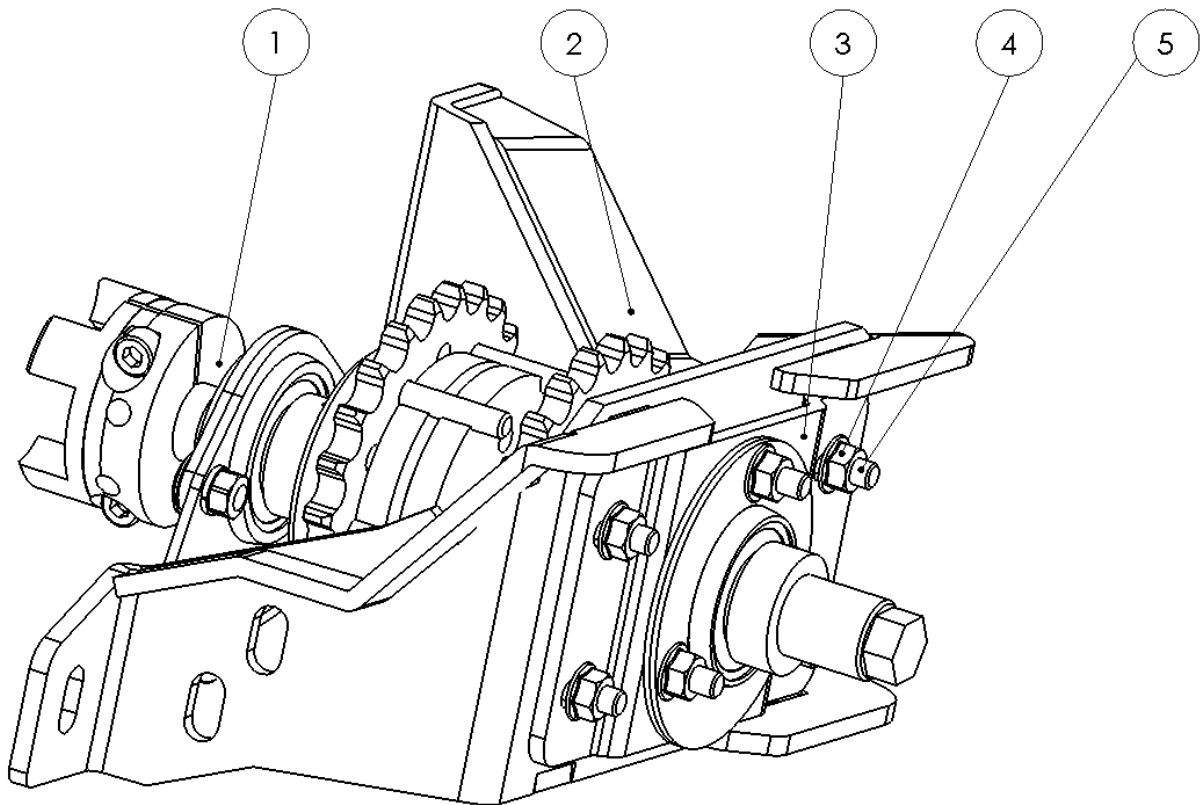
Pos.	Bezeichnung	Description	Artikelnummer/ Part No.	Tech. Info	Menge/ Qty.
1	Halteplatte Kettenspanner	Support Chain Tensioner	5ZN51069		1
2	Gleitbuchse	Bushing	5ZN51067	JFM 2528-21	2
3	Schwingarm	Sprocket Support	5ZN51064		1
4	Sechskantschraube	Hexagon Bolt	5ZN70065	M16x65	1
5	Scheibe	Washer	5ZN25019	17mm	1
6	Feder	Spring	5ZN51063		1
7	Spezielscheibe	Special Washer	5ZN51062		1
8	Kettenspannrad	Sprocket	5ZN50121	Z=17	1
9	Stoppmutter	Lock Nut	5ZN70023	M16	1
1-9	Kettenspanner 50H Komplett	Chain Tensioner System Complete	5ZN51061		1

Kettenspanner Bandantrieb / Automatic Chain Tensioner Premium Flow 635



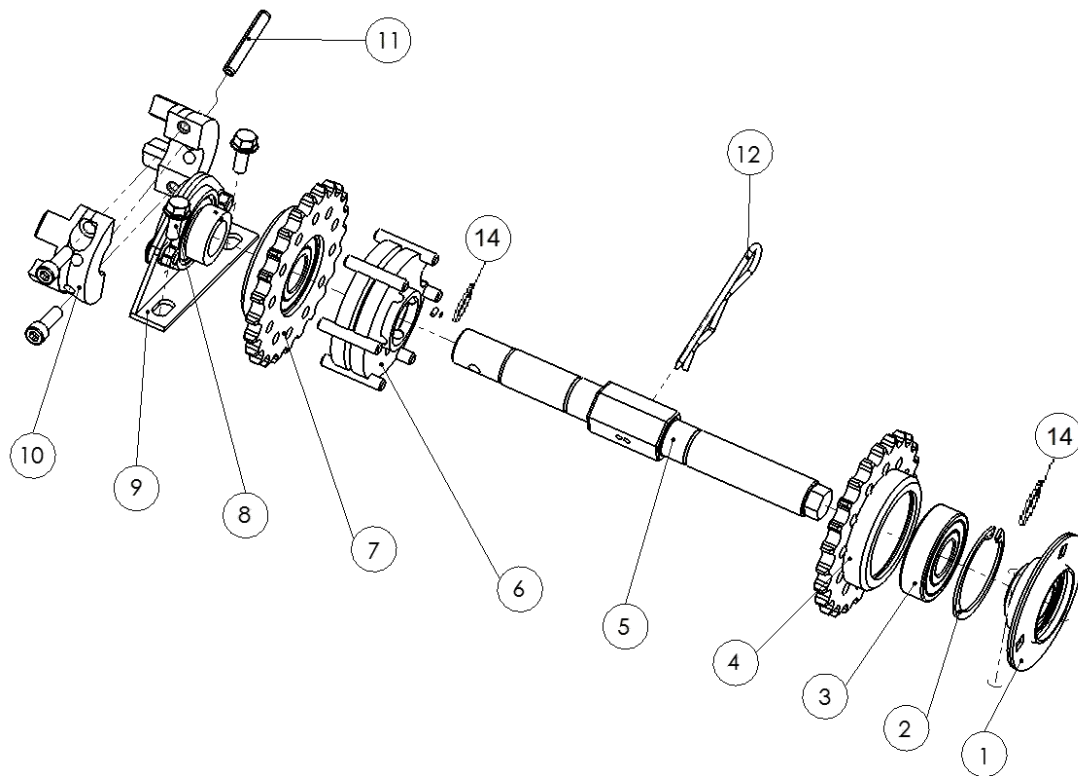
Pos.	Bezeichnung	Description	Artikelnummer/ Part No.	Tech. Info	Menge/ Qty.
1	Auflage 50H	Bracket 50H	5ZN51623	635	1
2	Feder 50H	Spring 50H	5ZN51063		2
3	Gleitlagerbuchse	Slide Bush	5ZN51067	JFM-2528-21	4
4	Hebel	Lever	5ZN51603		2
5	End Platte Kettenspanner 50H	End Plate Chain Tensioner 50H	5ZN51062		2
6	Senkschraube	Countersunk Bolt	5ZN70034	M8 x 20 DIN 7991	2
7	Kettenrad	Sprocket	5ZN51346	Z=17 635	1
8	Flanschschraube	Flange Bolt	5ZN70134	M16 x 40	2
9	Hebel	Lever 50H	5ZN51064		2
10	Spanner komplett	Complete Tensioner	5ZN51611		1

Lagerhalter Bandantriebswelle und Bandantrieb komplett/
 Bracket drive shaft and belt drive shaft complete
 Premium Flow 635



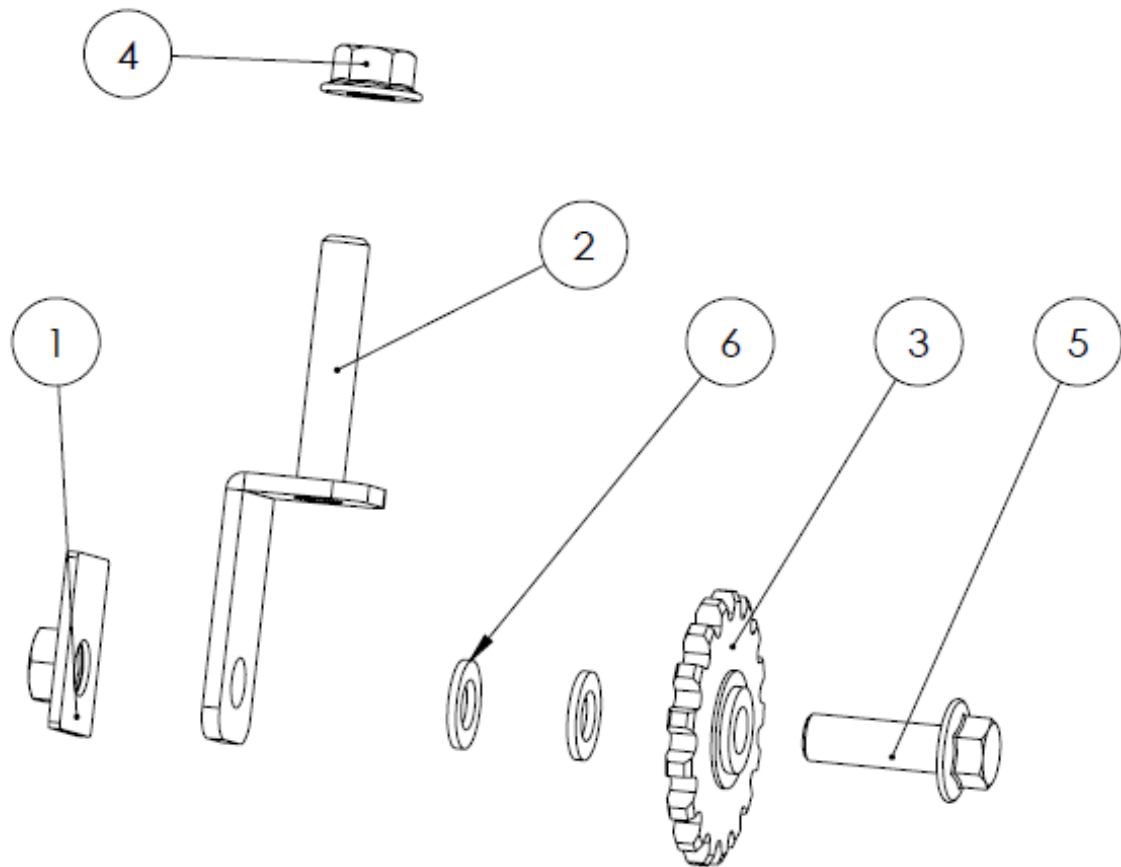
Pos.	Bezeichnung	Description	Artikelnummer/ Part No.	Tech. Info	Menge/ Qty.
1	Bandantriebswelle vormontiert	Belt Drive Shaft Pre- mounted		See Page 104	1
2	Antriebswellenhalter	Bracket	5ZN51779		1
3	Verstellplatte Lagerbock	Bearing Support Plate	5ZN51777		1
4	Schraube	Screw			AR
5	Stopfmutter	Lock Nut	5ZN70103		AR

Bandantrieb komplett/ Belt Drive Shaft Complete Premium Flow 635



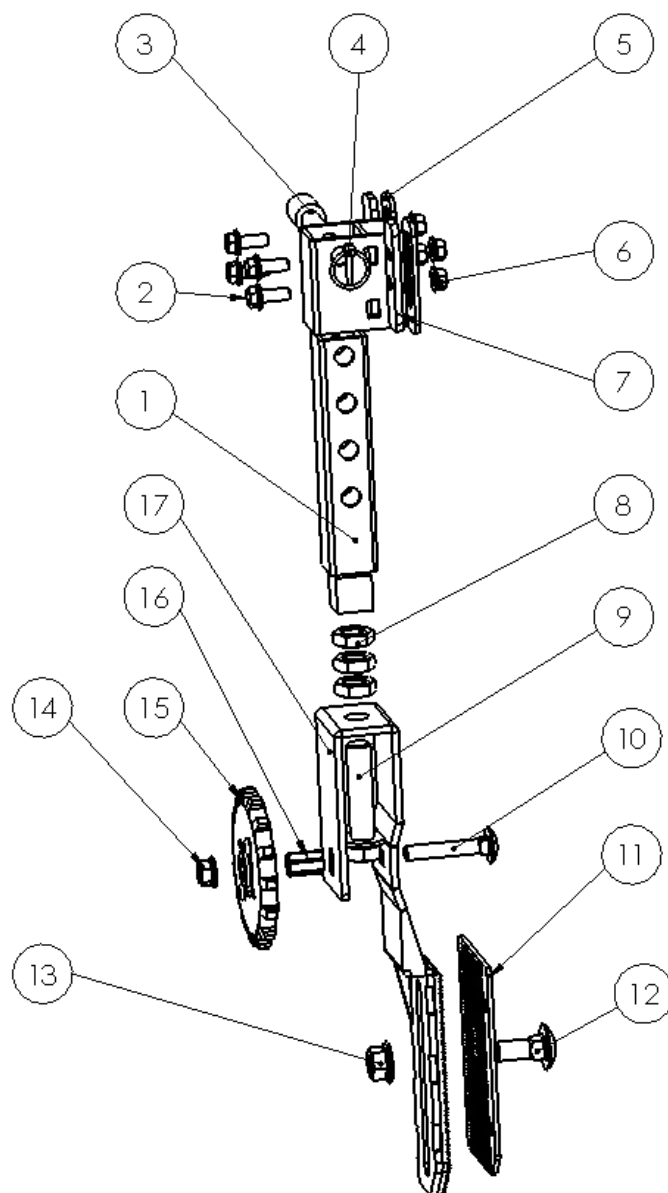
Pos.	Bezeichnung	Description	Artikelnummer/ Part No.	Tech. Info	Menge/ Qty.
1	Lagersatz B-BF 25	Set of Bearings	5ZN50757		1
2	Sicherungsring	Circlip	5ZN70618	62 x 2 DIN472	1
3	Lager	Bearing	5ZN51568	6305-2RSR	1
4	Kettenrad	Sprocket	5ZN51560	24 teeth	1
5	Achse	Shaft	5ZN51567		1
6	Auswahl- Bandgeschwindigkeit	Selector Belt Speed	5ZN51571		1
7	Kettenrad komplett	Sprocket Complete	5ZN51643	Consisting of Pos. 2,3,4	1
8	Sechskantschraube	Bolt	5ZN70044	M8x 20	4
9	Vertikale Auflage	Vertical Bearing	5ZN50758	PBS25	2
10	Klauenkupplung	Claw Coupling	5ZN50902		2
11	Spannstift	Roll Pin	5ZN70249	8 x 50	1
12	Federbolzen	Splint Pin	5ZN51641		1
13	Unterlegscheibe Stehlager T=0,5	Washer for the Bearing 0,5mm	5ZN51107		AR
	Unterlegscheibe Stehlager T=0,75	Washer for the Bearing 0,75mm	5ZN51108		AR
14	Sicherungsring	Circlip	5ZN70968	25x2 DIN471	2
1-11	Bandantrieb	Belt Drive	5ZN51837		1

Kettenspanner / Chain Tensioner Premium Flow 618/620/622/625/630/635



Pos.	Bezeichnung	Description	Artikelnummer/ Part No.	Tech. Info	Menge/ Qty.
1	Spezialmutter	Special Nut	5ZN51113		1
2	Halter Kettenrad	Holder Tension Sprocket	5ZN50338	618/620/622/ 625/630	1
	Halter Kettenrad	Holder Tension Sprocket	5ZN51106	635	1
3	Spannrad	Tension Sprocket	5ZN50121	Z=17 618/620/ 622/625/630	1
	Kettenrad	Sprocket	5ZN51346	Z=17	1
4	Stoppmutter	Lock Nut	5ZN70023	M16	1
5	Flanschschraube	Flange Bolt	5ZN70064	M16x50	1
6	Scheibe	Washer	5ZN70247	17mm	2

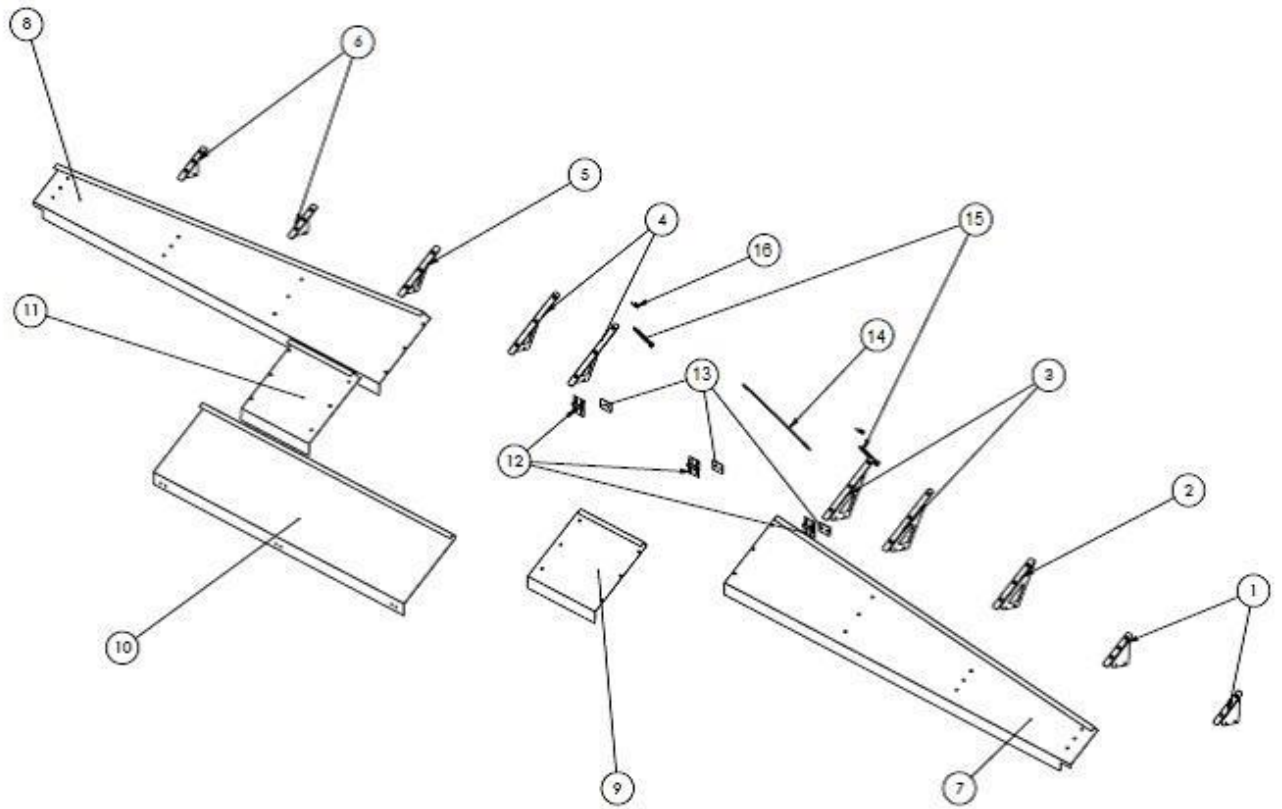
Kettenspanner komplett/ Chain Tensioner Complete Premium Flow 618/620/622/625/630/635



Kettenspanner /Chain Tensioner
Premium Flow 618/620/622/625/630

Pos.	Bezeichnung	Description	Artikelnummer/ Part No.	Tech. Info	Menge/ Qty.
1	Führungsstange	Guiding Tube	5ZN51730		1
2	Sperrzahnschraube	Latch Screw	5ZN70047	M10x25	4
3	Bolzen	Pin Fastener	5ZN50342		1
4	Vorstecker	Linchpin	5ZN25021	D=4,5 mm	1
5	Verstärkungsplatte Führungshalter	Guiding Plate	5ZN51738		1
6	Flanschmutter	Flange Nut	5ZN70011	M10	6
7	Führungslager	Guide	5ZN50341		1
8	Sechskantmutter	Nut	5ZN70616	M20	3
9	Sechskantschraube mit Gewinde bis Kopf	Thread Bolt	5ZN70617	M20x100 DIN961	1
10	Schlossschraube	Carriage Bolt	03M7380	M12x70	1
11	Zahnplatte Schneidwerksseite	Tooth Plate Header Side	5ZN51740		1
12	Schlossschraube	Carriage Bolt	03M7306	Niedriger Vierkant M16x35	1
13	Flanschmutter	Flange Nut	14M7291	M16	1
14	Flanschmutter	Flange Nut	14M7299	M12	1
15	Kettenrad	Sprocket 80H	AXE11317	625/630/635	1
	Kettenrad	Sprocket 60H	AH206131	618/620/622	1
16	Buchse	Bushing	H147370		1
17	Kettenspannhalter mit Verzahnung	Tooth Plate Tensioner	5ZN51742		1

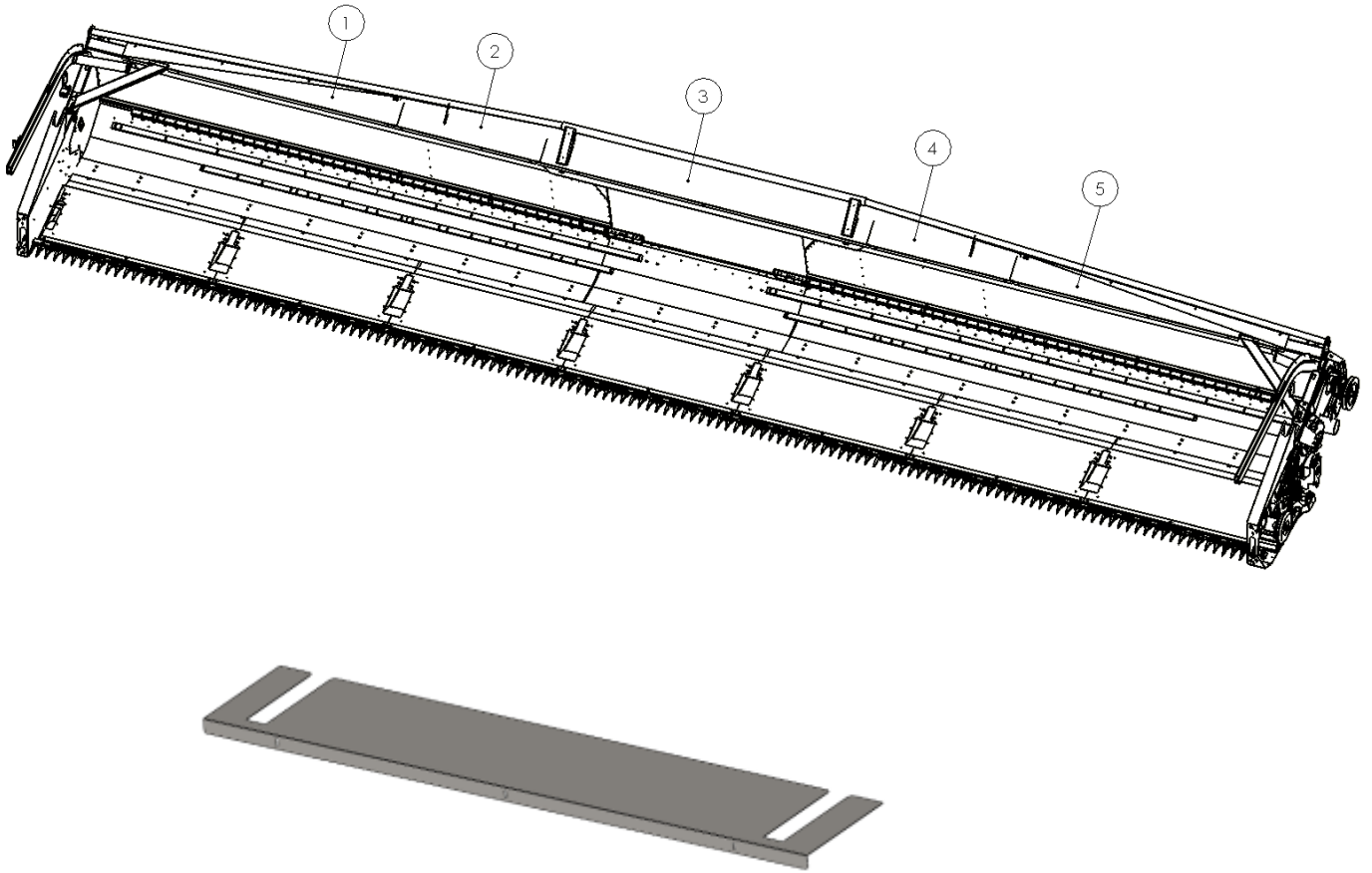
Prallblech / Splash Guard Premium Flow 618/620/622/625/630



Prallblech / Splash Guard
Premium Flow 618/620/622/625/630

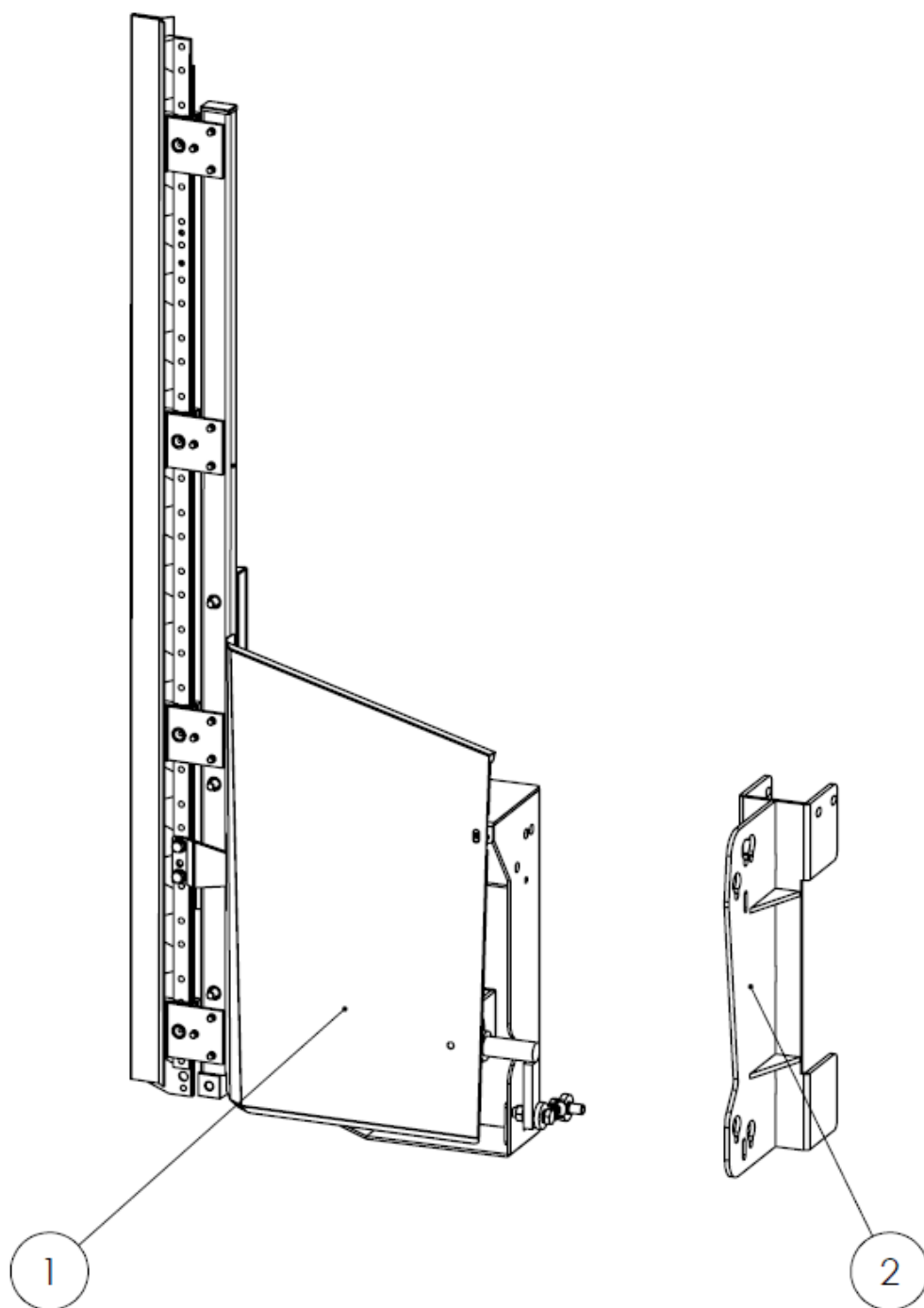
Pos.	Bezeichnung	Description	Artikelnummer/ Part No.	Tech. Info	Menge/ Qty.
1	Prallblechstütze Außen Links	Splash Guard Bracket Outside Left	5ZN50487		2
2	Prallblechstütze Mitte Außen Links	Splash Guard Bracket Outside Middle Left	5ZN50488		1
3	Prallblechstütze Mitte Links	Splash Guard Bracket Middle Left	5ZN50489		2
4	Prallblechstütze Mitte Rechts	Splash Guard Bracket Middle Right	5ZN50490		2
5	Prallblechstütze Mitte Außen Rechts	Splash Guard Bracket Outside Middle Right	5ZN50491		1
6	Prallblechstütze Außen Rechts	Splash Guard Bracket Right Outside	5ZN50492		2
7	Prallblech Links Außen	Splash Guard Left End	5ZN50151	618	1
	Prallblech Links Außen	Splash Guard Left End	5ZN50152	620	1
	Prallblech Links Außen	Splash Guard Left End	5ZN50153	622	1
	Prallblech Links Außen	Splash Guard Left End	5ZN50154	625	1
	Prallblech Links Außen	Splash Guard Left End	5ZN50155	630	1
8	Prallblech Rechts Außen	Splash Guard Right End	5ZN50160	618	1
	Prallblech Rechts Außen	Splash Guard Right End	5ZN50161	620	1
	Prallblech Rechts Außen	Splash Guard Right End	5ZN50162	622	1
	Prallblech Rechts Außen	Splash Guard Right End	5ZN50163	625	1
	Prallblech Rechts Außen	Splash Guard Right End	5ZN50164	630	1
9	Prallblech Mitte Links	Splash Guard Middle Left	5ZN50156	618/620/622/ 625/630	1
10	Prallblech Mitte	Splash Guard Middle	5ZN50157	618/620/622/ 625/630	1
11	Prallblech Mitte Rechts	Splash Guard middle Right	5ZN50158	618/620/622/ 625/630	1
12	Scharnier	Hinge	5ZN16121		3
13	Abstandsblech Scharnier	Spacer Plate	5ZN50391		3
14	Halteband	Safety Belt	5ZN50392		1
15	Halteschlaufe	Holder	LCB494907		2
16	Rohrschelle	Clamp	H75541		1

Abdeckbleche/ Splash Guard Premium Flow 635



Pos.	Bezeichnung	Description	Artikelnummer/ Part No.	Tech. Info	Menge/ Qty.
1	Abdeckblech rechts außen	Splash Guard rh External	5ZN51543	635	1
2	Abdeckblech rechts	Splash Guard rh	5ZN51541	635	1
3	Abdeckschutz Mitte	Middle Splash Guard	5ZN51539	635	1
4	Abdeckblech links	Splash Guard lh	5ZN51540	635	1
5	Abdeckblech links außen	Splash Guard lh External	5ZN51542	635	1

Seitentrenner Komplett / Side Knife Complete
Premium Flow 618/620/622/625/630/635

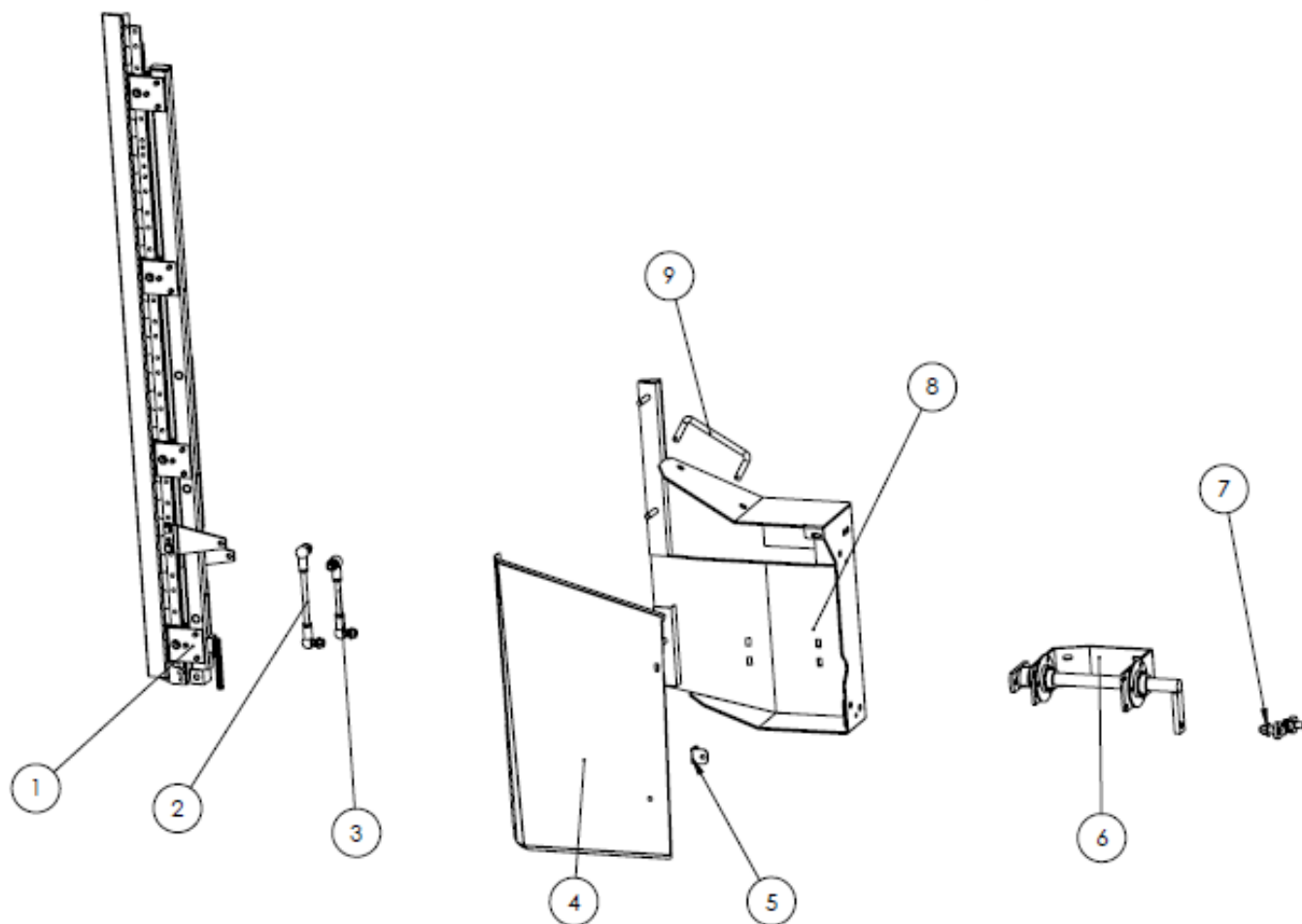


Seitentrenner Komplett / Side Knife Complete
Premium Flow 618/620/622/625/630/635

Pos.	Bezeichnung	Description	Artikelnummer/ Part No.	Tech. Info	Menge/ Qty.
1	Seitentrenner Links Komplett	Side Knife Complete Left	5ZN50462	618/620/622/ 625/630/635	1
	Seitentrenner Rechts Komplett	Side Knife Complete Right	5ZN50463	618/620/622/ 625/630/635	1
2	Halter für Schneidwerkswagen 200mm	Holder for the Trailer 200mm	5ZN50517	618/620	1
	Halter für Schneidwerk Links	Holder for the Back of the Header Left	5ZN50395	622/625/630	1
	Halter für Schneidwerk Rechts	Holder for the Back of the Header Right	5ZN50396	622/625/630	1
	Halter für Schneidwerk Links	Holder for the Back of the Header Left	5ZN51677	635	1
	Halter für Schneidwerk Rechts	Holder for the Back of the Header Right	5ZN51680	635	1

Seitentrenner Komplett / Side Knife Complete

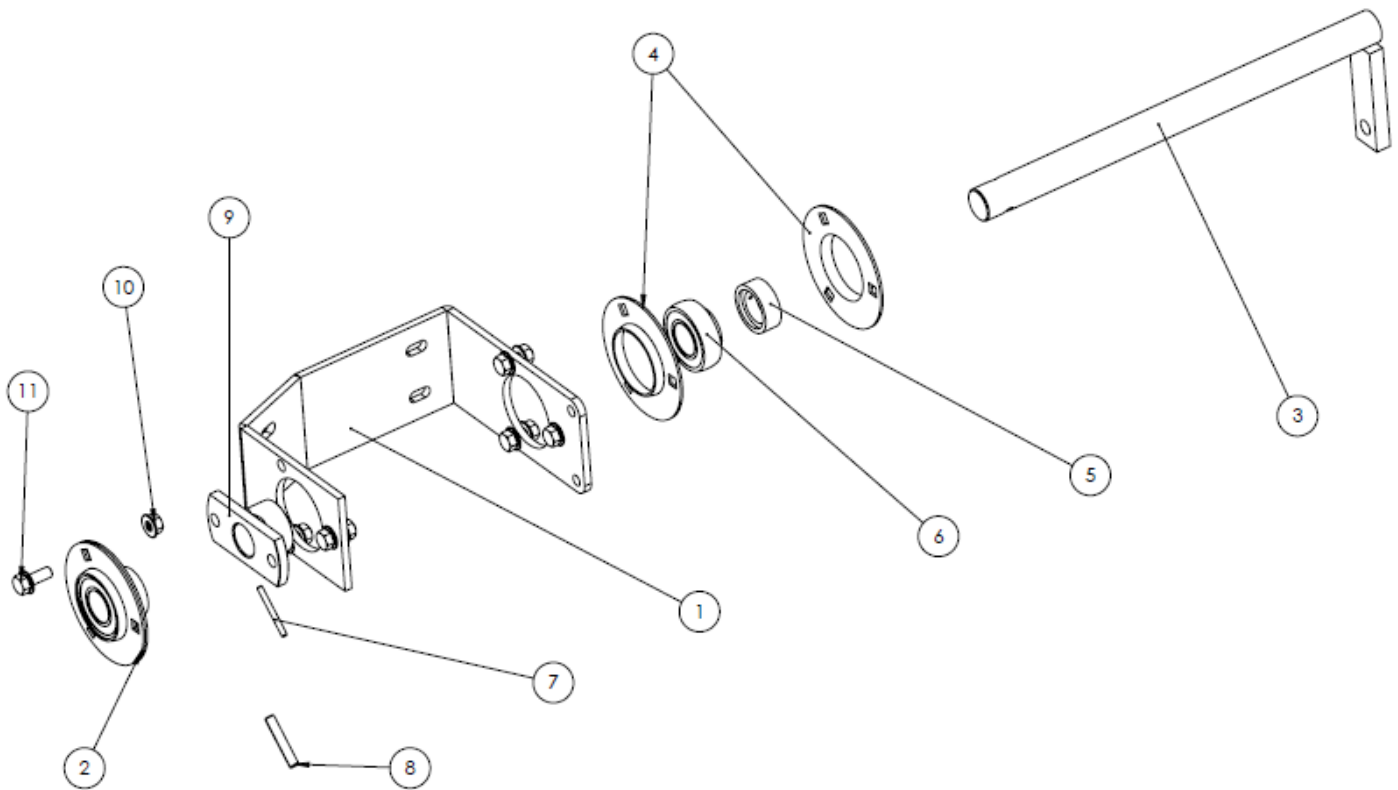
Premium Flow 618/620/622/625/630/635



Seitentrenner Komplett / Side Knife Complete
Premium Flow 618/620/622/625/630/635

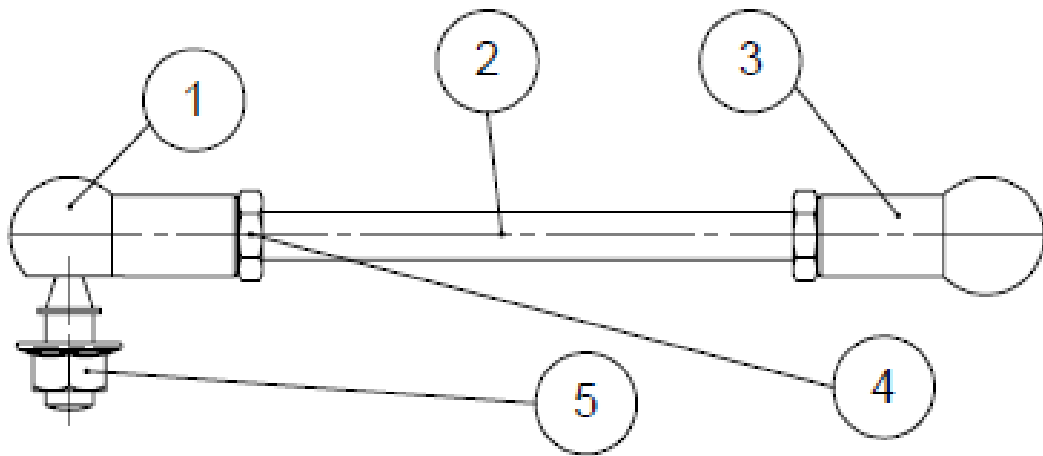
Pos.	Bezeichnung	Description	Artikelnummer/ Part No.	Tech. Info	Menge/ Qty.
1	Balkeneinheit Links Komplett	Vertical Knife Section Left Complete	5ZN16903		1
	Balkeneinheit Rechts Komplett	Vertical Knife Section Right Complete	5ZN16901		1
2	Montageeinheit Kugelgelenk 150mm Rechts	Assembling Parts Ball Joints 170mm rh		See Page 118	1
	Montageeinheit Kugelgelenk 150mm Links	Assembling Parts Ball Joints 170mm lh		See Page 118	1
3	Montageeinheit Kugelgelenk 110mm Rechts	Assembling Parts Ball Joints 130mm rh		See Page 118	1
	Montageeinheit Kugelgelenk 110mm Links	Assembling Parts Ball Joints 130mm lh		See Page 118	1
4	Edelstahlschutz Links	Stainless Steel Shield lh	5ZN50389		1
	Edelstahlschutz Rechts	Stainless Steel Shield rh	5ZN50290		1
5	Haltewinkel	Holding Angle	5ZN50840		1
6	Seitentrenner Antrieb Links Komplett	Side Knife Drive lh Complete		See Page 117	1
	Seitentrenner Antrieb Rechts Komplett	Side Knife Drive rh Complete		See Page 117	1
7	Montageeinheit GIR und GAR Links	Assambling Part GIR and GAR lh	5ZN51378		1
	Montageeinheit GIR und GAR Rechts	Assembling Part GIR and GAR	5ZN18006		1
8	Seitentrenner Rahmen Links	Side Knife Frame lh	5ZN50390		1
	Seitentrenner Rahmen Rechts	Side Knife Frame rh	5ZN50297		1
9	Griff	Handle	5ZN50296		1

Seitentrenner Komplett / Side Knife Complete Premium Flow 618/620/622/625/630/635



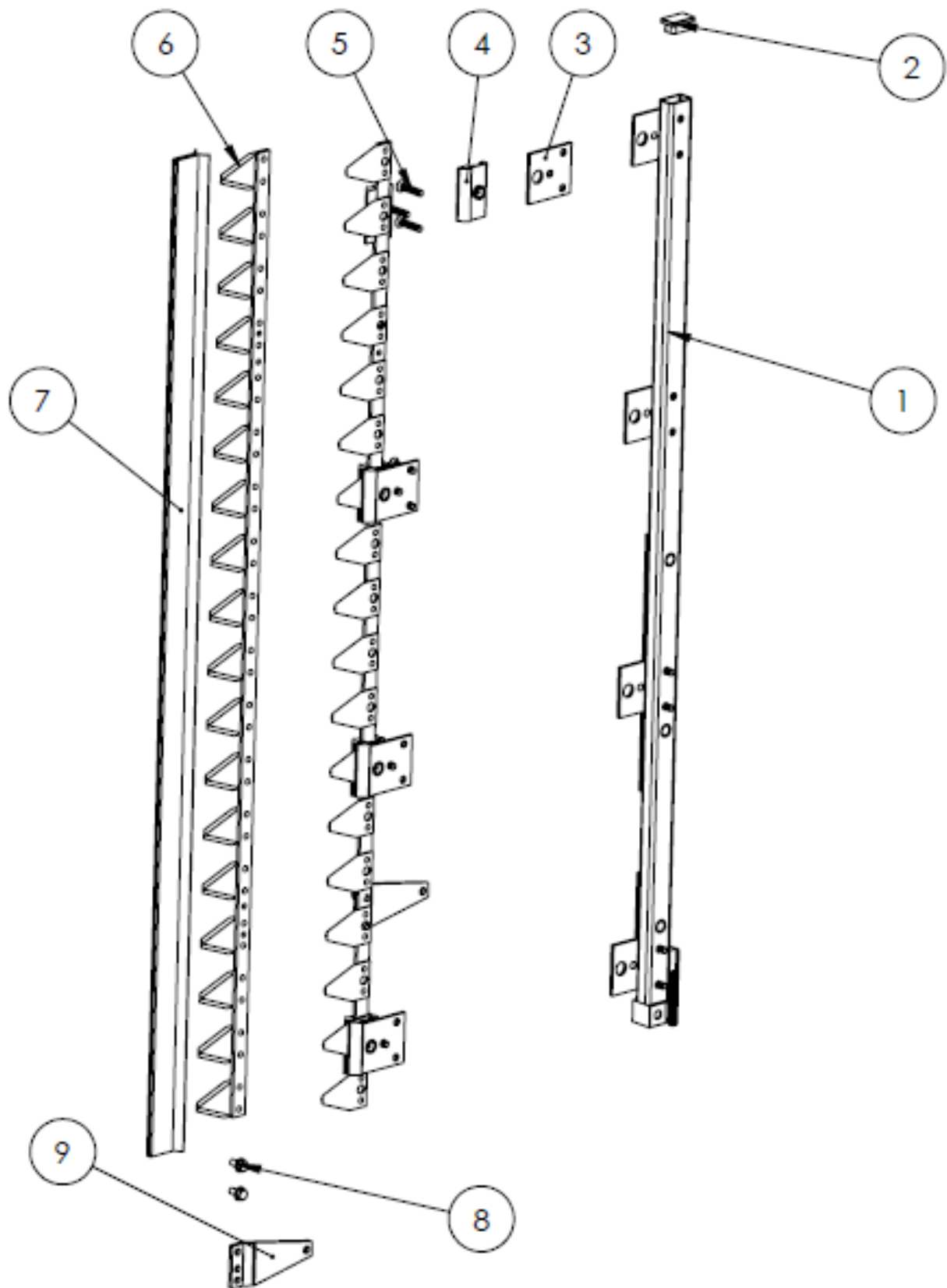
Pos.	Bezeichnung	Description	Artikelnummer/ Part No.	Tech. Info	Menge/ Qty.
1	Halter Umlenkeinheit Seitentrenner Premium Flow	Bracket	5ZN50456		1
2	Lagersatz B-BF 25	Set of Bearings	5ZN50757		1
3	Antriebswelle Links	Drive Shaft lh	5ZN50293		1
	Antriebswelle Rechts	Drive Shaft rh	5ZN50292		1
4	Lagerschale	Bearing	5ZN18372		2
5	Stelling	Collar	5ZN18371		1
6	Kugellager	Ball Bearing	5ZN18373		1
7	Spannstift	Locking Pin	5ZN70094	4x40	1
8	Spannstift	Locking Pin	5ZN70171	7x40	1
9	Schwenkhebel	Lever	5ZN18381		1
10	Flanschmutter	Flange Nut	5ZN70060	M8	6
11	Sperrzahnschraube	Latch Screw	5ZN70005	M8x20	6

Seitentrenner Komplett / Side Knife Complete Premium Flow 618/620/622/625/630/635



Pos.	Bezeichnung	Description	Artikelnummer/ Part No.	Tech. Info	Menge/ Qty.
1	Kugelkopf	Ball Head	5ZN18384	M10	2
2	Stange	Bolt	5ZN50298	M10x130	1
	Stange	Bolt	5ZN50299	M10x170	1
3	Kugelkopf gekürzt	Ball Head Shortened	5ZN19375	M10	1
4	Mutter niedrige Form	Nut Thin Type	5ZN70007	M10	2
5	Sperrzahnmutter	Flange Nut	5ZN70006	M10	1

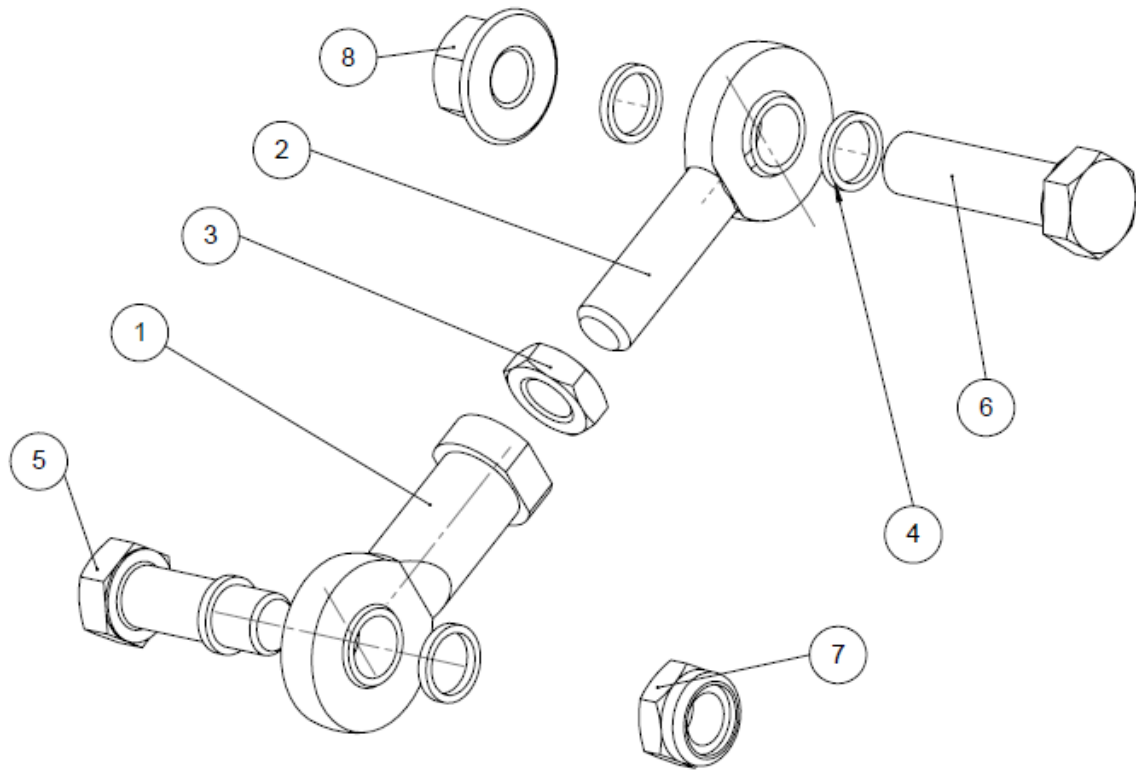
Seitentrenner Komplet / Side Knife Complete
Premium Flow 618/620/622/625/630/635



Seitentrenner Komplett / Side Knife Complete
Premium Flow 618/620/622/625/630/635

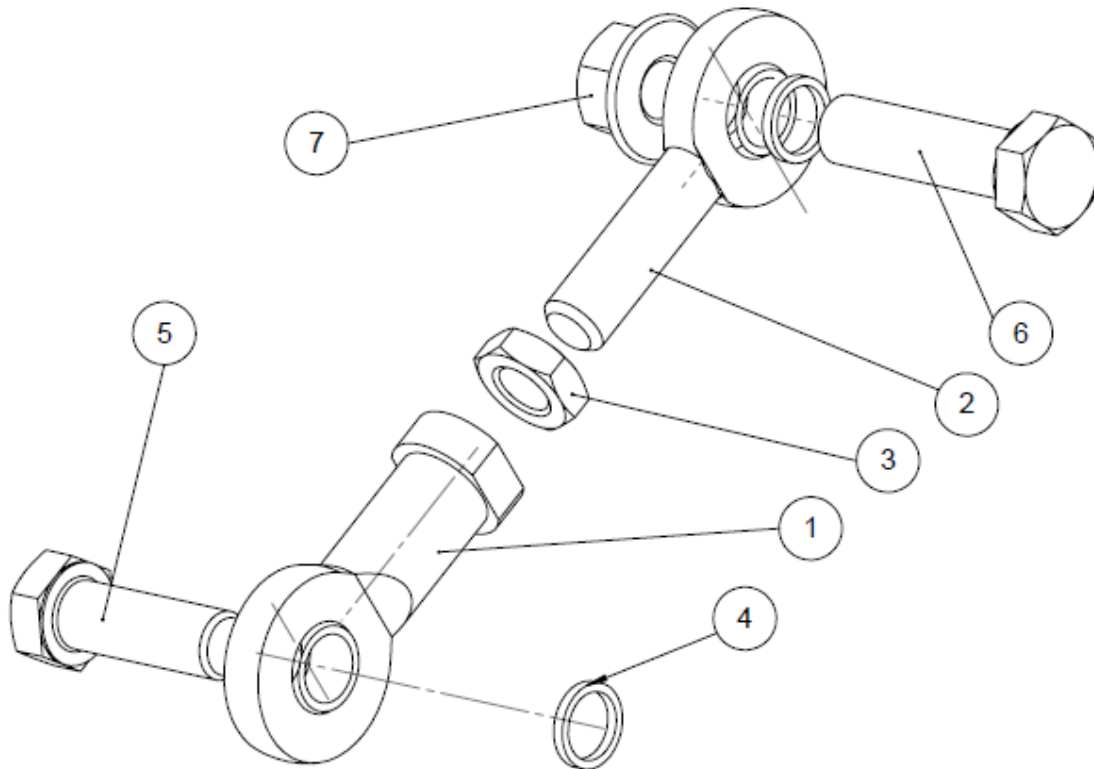
Pos.	Bezeichnung	Description	Artikelnummer/ Part No.	Tech. Info	Menge/ Qty.
1	Balken mechanisch Komplett Links	Bar Mechanic Complete lh	5ZN16102		1
	Balken Komplett mechanisch Rechts	Bar Mechanic Complete rh	5ZN16101		1
2	Lamellenstopfen	Fins Plug	5ZN18359		1
3	Platte	Plate	5ZN18342		4
4	Messerführung	Knife Guide	5ZN18343		8
5	Senkschraube	Counter Sunk Bolt	5ZN70097	M8x42	8
6	Messer mechanisch	Knife Mechanic	5ZN18307	18 Klingen	2
	Klinge	Blade	5ZN18352		1
	Niete	Rivet	5ZN18353	5,5x13	AR
7	Messerschutz	Knife	5ZN18350	1,4mtr	1
8	Sperrzahnschraube	Latch Screw	5ZN70042	M8x12	2
9	Antriebshebel Links 140mm	Plate 140mm Left	5ZN18362		1
	Antriebshebel Rechts 140mm	Plate 140mm Right	5ZN18361		1

Seitentrenner Komplett / Side Knife Complete Premium Flow 618/620/622/625/630/635



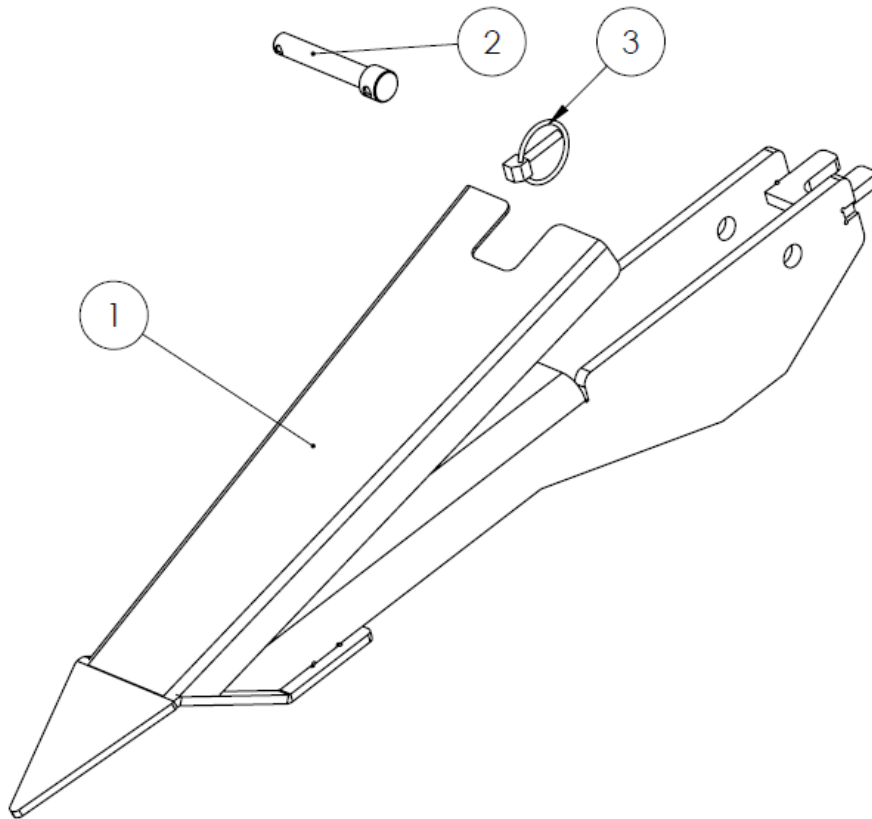
Pos.	Bezeichnung	Description	Artikelnummer/ Part No.	Tech. Info	Menge/ Qty.
1	GIR 12 DO	GIR 12 DO	5ZN18302		1
2	GAR 12 DO	GAR 12 DO	5ZN21008		1
3	Mutter niedrige Form	Nut Thin Type	5ZN70008	M12	1
4	Distanzring	Spacer	5ZN18388		4
5	Sechskantschraube	Hexagon Bolt	5ZN50356		1
6	Sechskantschraube	Hexagon Bolt	5ZN70054	M12x40	1
7	Stoppmutter	Lock Nut	5ZN70022	M12	1
8	Sperrzahnmutter	Flange Nut	5ZN70104	M12	1
1-8	Montageeinheit GIR und GAR Rechts	Mounting Unit GIR and GAR rh	5ZN18006		1

Seitentrenner Komplett / Side Knife Complete Premium Flow 618/620/622/625/630/635



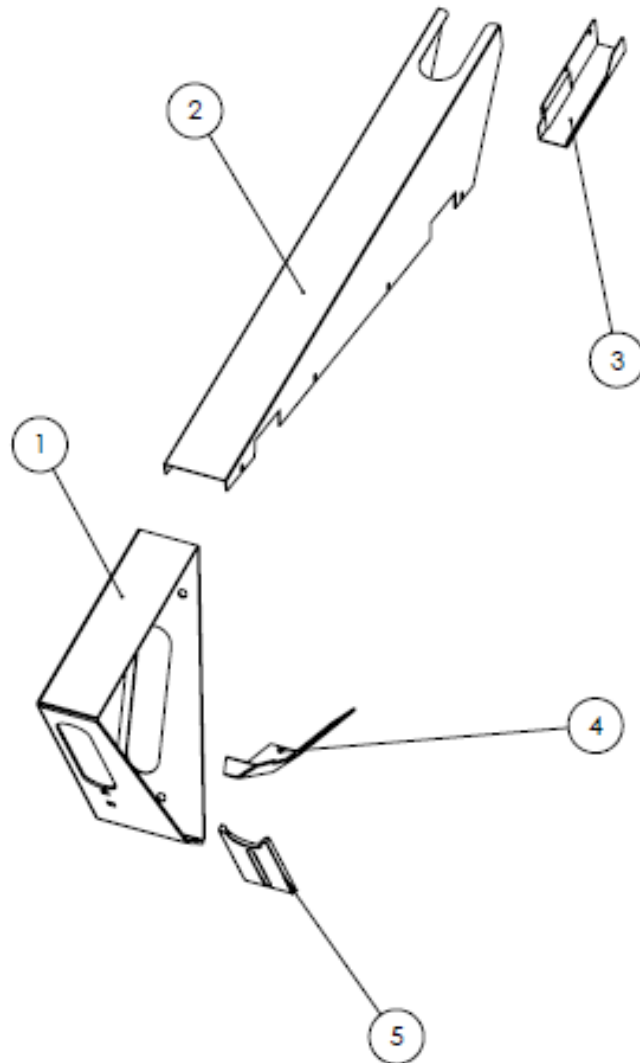
Pos.	Bezeichnung	Description	Artikelnummer/ Part No.	Tech. Info	Menge/ Qty.
1	GIR 12 DO gekürzt	GIR 12 DO Shortened	5ZN51377		1
2	GAR 12 DO gekürzt	GAR 12 DO Shortened	5ZN51294		1
3	Mutter niedrige Form	Nut Thin Type	5ZN70008	M12	1
4	Distanzring	Spacer	5ZN18388		4
5	Sechskantschraube	Hexagon Bolt	5ZN50356		1
6	Sechskantschraube	Hexagon Bolt	5ZN70054	M12x40	1
7	Sperrzahnmutter	Flange Nut	5ZN70104	M12	1
1-7	Montageeinheit GIR und GAR Links	Mounting Unit GIR and GAR lh	5ZN51378		1

Rapstrennerspitze / Crop Divider Premium Flow 618/620/622/625/630/635



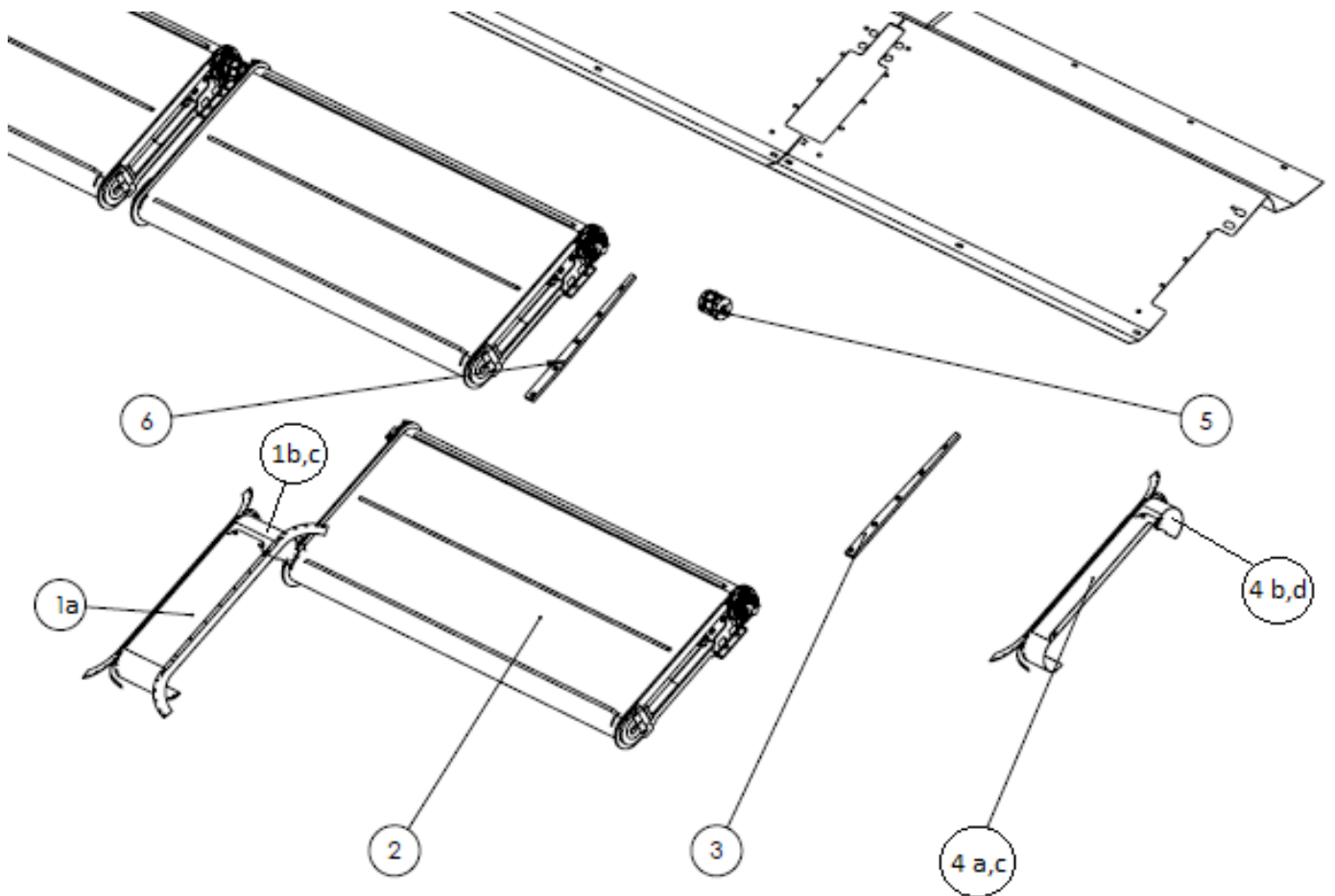
Pos.	Bezeichnung	Description	Artikelnummer/ Part No.	Tech. Info	Menge/ Qty.
1	Rapsspitze	Crop Divider	5ZN16118		1
2	Bolzen	Pin	5ZN16122		1
3	Sicherungsring	Safety Ring	5ZN16131		1

Anbauteile Rechts und Links / Attached Parts Left and Right Premium Flow 618/620/622/625/630/635



Pos.	Bezeichnung	Description	Artikelnummer/ Part No.	Tech. Info	Menge/ Qty.
1	Spitze Links	Crop Divider Left	5ZN50237		1
	Spitze Rechts	Crop Divider Right	5ZN50236		1
2	Seitenwandaufsatz Links	Side Wall Top Left	5ZN50322		1
	Seitenwandaufsatz Rechts	Side Wall Top Right	5ZN50184		1
3	Kabelschutz	Wiring Protector	5ZN50350		1
4	Schutz Messerantrieb	Guard Knife Head	5ZN51307		1
5	Einstellplatte Halmteiler	Plate Divider	Z79341		2

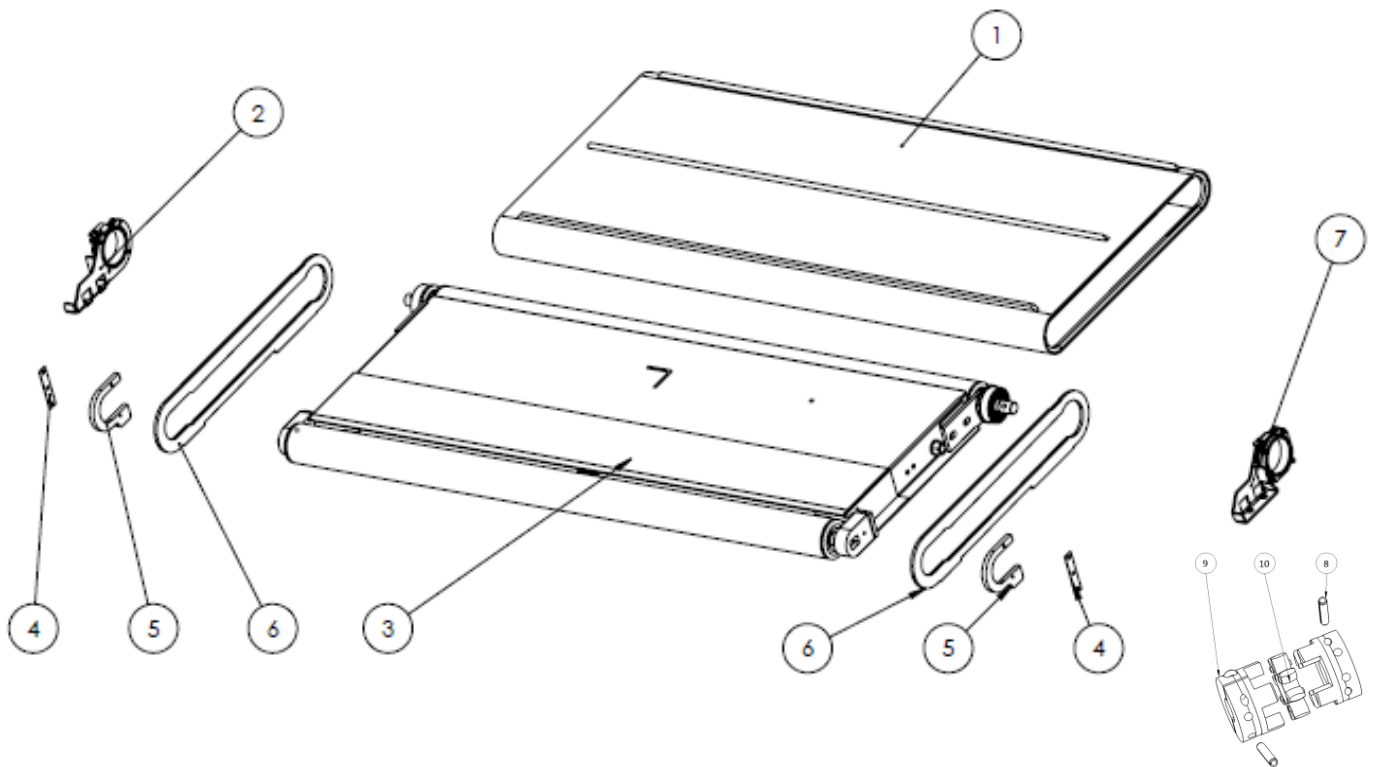
Bandkörper Montageeinheit / Belt Body Mounting Unit Premium Flow 618/620/622/625/630/635



Bandkörper Montageeinheit / Belt Body Mounting Unit
Premium Flow 618/620/622/625/630/635

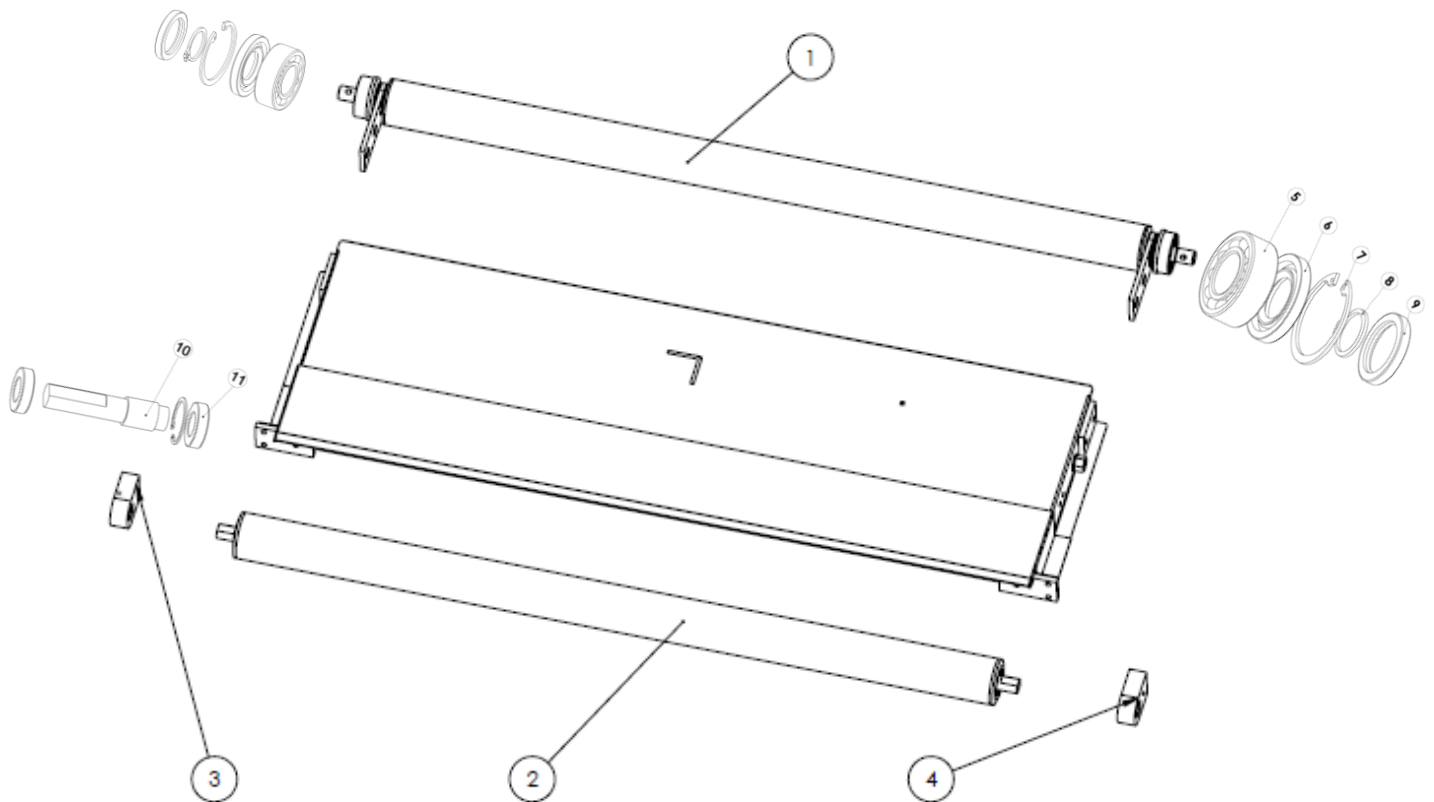
Pos.	Bezeichnung	Description	Artikelnummer/ Part No.	Tech. Info	Menge/ Qty.
1	a Abdeckblech Mitte Vorne	Cover Sheet Front Middle	5ZN50941		AR
	b Abdeckblech Mitte Hinten	Cover Sheet Back Middle	5ZN50942	618-630 and 635 till MY2014	AR
	c Abdeckblech Mitte Hinten 35Ft	Cover Sheet Back Middle	5ZN52327	635 from MY2015	AR
2	Bandkörper Komplett MY 10 Breite 1112mm	Belt Body Complete M10 1112mm	5ZN50939	618/622 till MY2014	AR
	Bandkörper Komplett MY 10 Breite 1417mm	Belt Body Complete MY10 Width 1417mm	5ZN50926	618-630 till MY2014	AR
	Bandkörper Komplett MY 12 Breite 1417mm	Belt Body Complete M12 Width 1417mm	5ZN51597	625/630 from MY2014 635 from MY2015	1
	Bandkörper Komplett 1112mm	Belt Body Complete 1112mm	5ZN52057	618/622 from 2015	AR
3	Abstreifer Links	Stripper lh	5ZN50952		AR
4	a Abdeckblech Links Außen Vorne	Cover Sheet lh Outside Front	5ZN50943		1
	b Abdeckblech Links Außen Hinten	Cover Sheet lh Outside Back	5ZN50944		1
	c Abdeckblech Rechts Außen Vorne	Cover Sheet rh Outside Front	5ZN50945		1
	d Abdeckblech Rechts Außen Hinten	Cover Sheet rh Outside Back	5ZN50946		1
5	Rotex Kupplung Komplett	Rotex Coupling Complete	5ZN50902		AR
6	Abstreifer Rechts	Stripper rh	5ZN50951		AR

Bandkörper Montageeinheit / Belt Body Mounting Unit Premium Flow 618/620/622 till MY2014/ 625/630 till MY2013



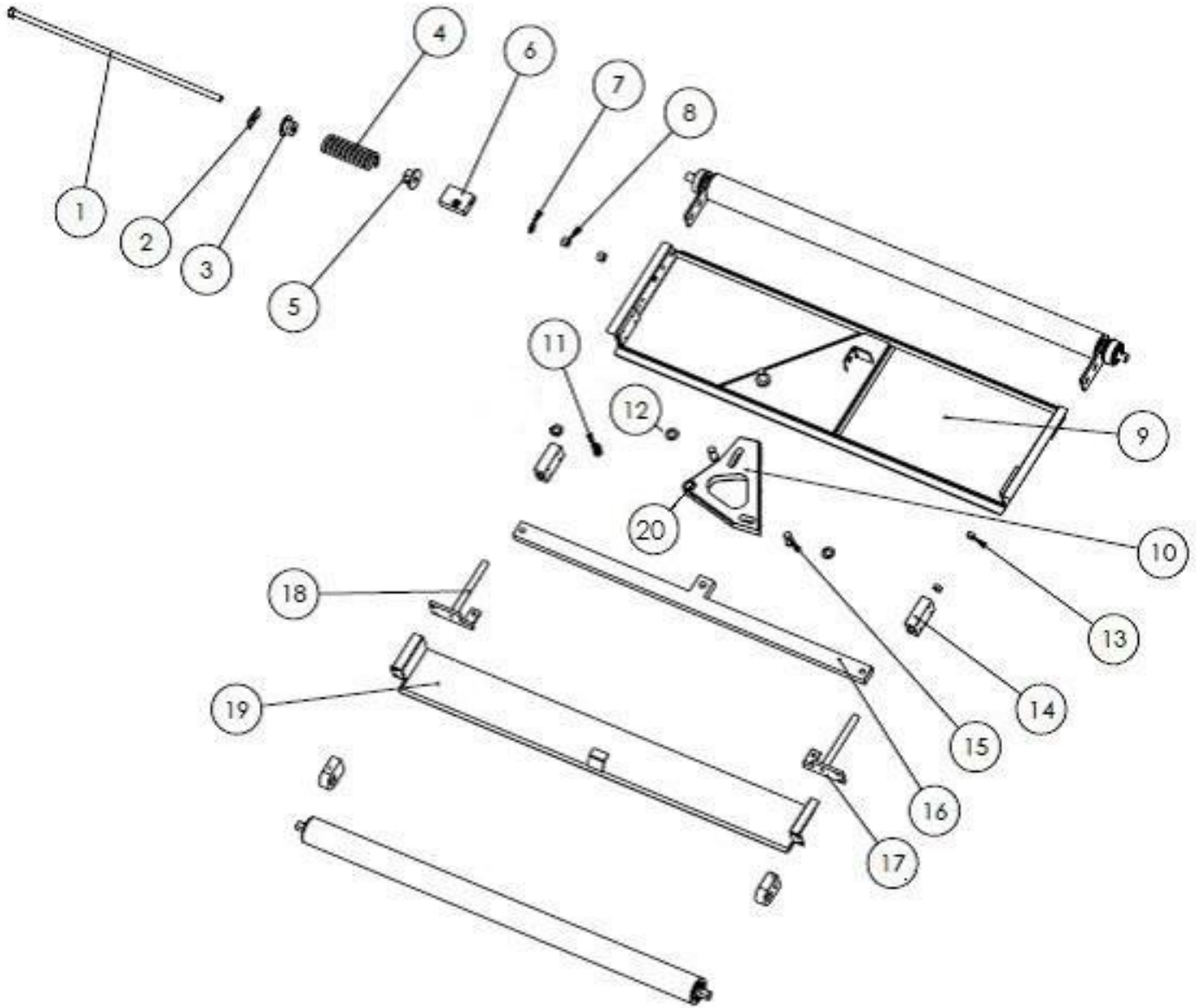
Pos.	Bezeichnung	Description	Artikelnummer/ Part No.	Tech. Info	Menge/ Qty.
1	PVC Band	PVC Band	5ZN50224	1064mm	1
	PVC Band	PVC Band	5ZN50116	1369mm	1
2	Drehlagerbock Links	Pivot Bearing Bracket lh	5ZN50917		1
3	Bandkörper Komplett Breite 1112mm	Belt Body Complete Width 1112mm	5ZN50260		1
	Bandkörper Komplett Breite 1417mm	Belt Body Complete Width 1417mm	5ZN50113		1
4	Halteblech Schottung Beweglich	Holding Bracket	5ZN50148		2
5	Schottung Beweglich	Separation moveable	5ZN50901		2
6	Schottung Fest	Separation fixed	5ZN50903		2
7	Drehlagerbock Rechts	Pivot Bearing Bracket rh	5ZN50918		1
8	Spannstift	Roll Pin	5ZN70096	8 x 40	2
9	Rotex Kupplung	Claw Coupling	5ZN50902	Incl. 10	2
10	Dämpfungselement rot	Absorber Segment, red	5ZN50512		1

Bandkörper Montageeinheit / Belt Body Mounting Unit Premium Flow 618/620/622 till MY2014/ 625/630 till MY2013



Pos.	Bezeichnung	Description	Artikelnummer/ Part No.	Tech. Info	Menge/ Qty.
1	Rolle Hinten 1112mm MY 09	Roll Back 1112mm MY09	5ZN51376		1
	Rolle Hinten 1417mm MY09	Roll Back 1417mm MY09	5ZN51087		1
2	Rolle Vorne 1112mm MY 09	Roll Front 1112mm MY09	5ZN50274		1
	Rolle Vorne 1417mm MY 09	Roll Front 1417mm MY09	5ZN50111		1
3	Alu Rollenträger Vorne Rechts	Rollerholder Front Right	5ZN50268		1
4	Alu Rollenträger Vorne Links	Rollerholder Front Left	5ZN50267		1
5	Wellendichtring	Seal	5ZN50938	30x42x6	2
6	Pendelkugellager	Bearing	5ZN50934		2
7	Circlip DIN 472	Circlip DIN 472	5ZN50937	52x2	2
8	Circlip DIN 471	Circlip DIN 471	5ZN50936	25x1,2	2
9	Wellendichtring	Seal	5ZN50935	25x52x7	2
10	Stummel Kopftrommel Bandkörper	Shaft	5ZN50779		1
11	Rillenkugellager	Bearing	5ZN50310	6005	1

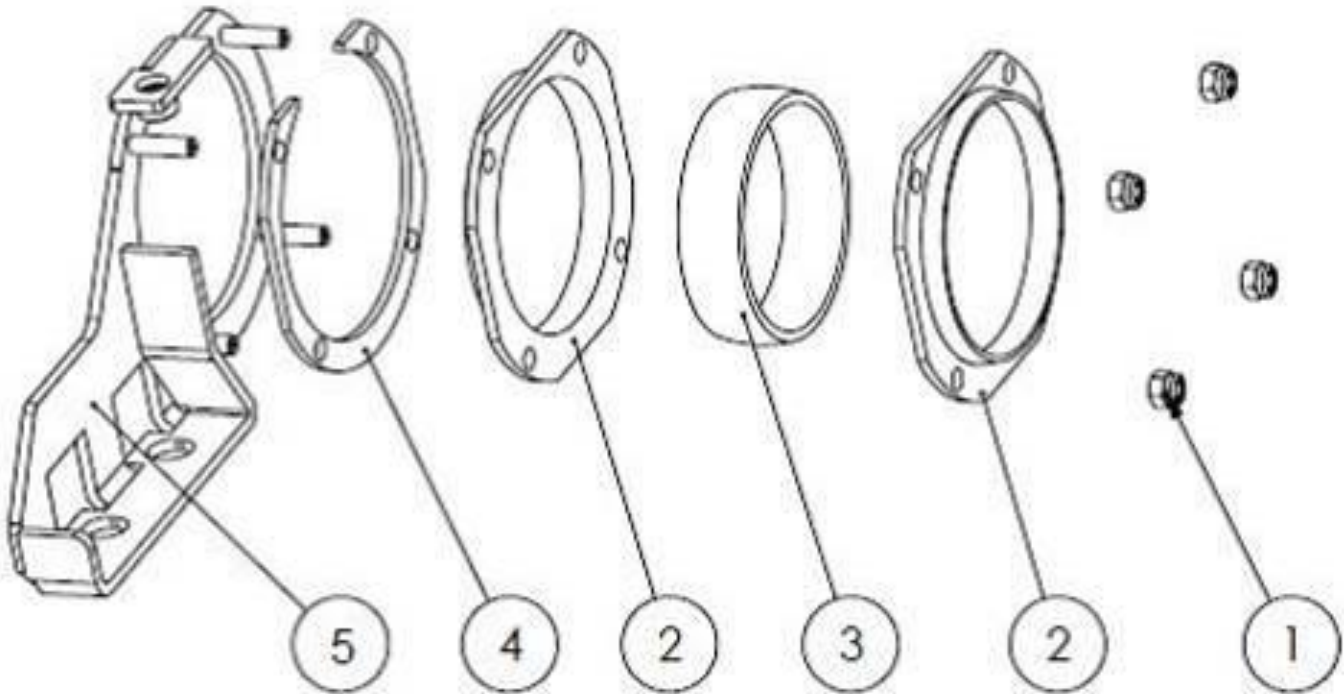
Bandkörper Montageeinheit / Belt Body Mounting Unit
Premium Flow 618/620/622 till MY2014/ 625/630 till MY2013



Bandkörper Montageeinheit / Belt Body Mounting Unit
Premium Flow 618/620/622 till MY2014/ 625/630 till MY2013

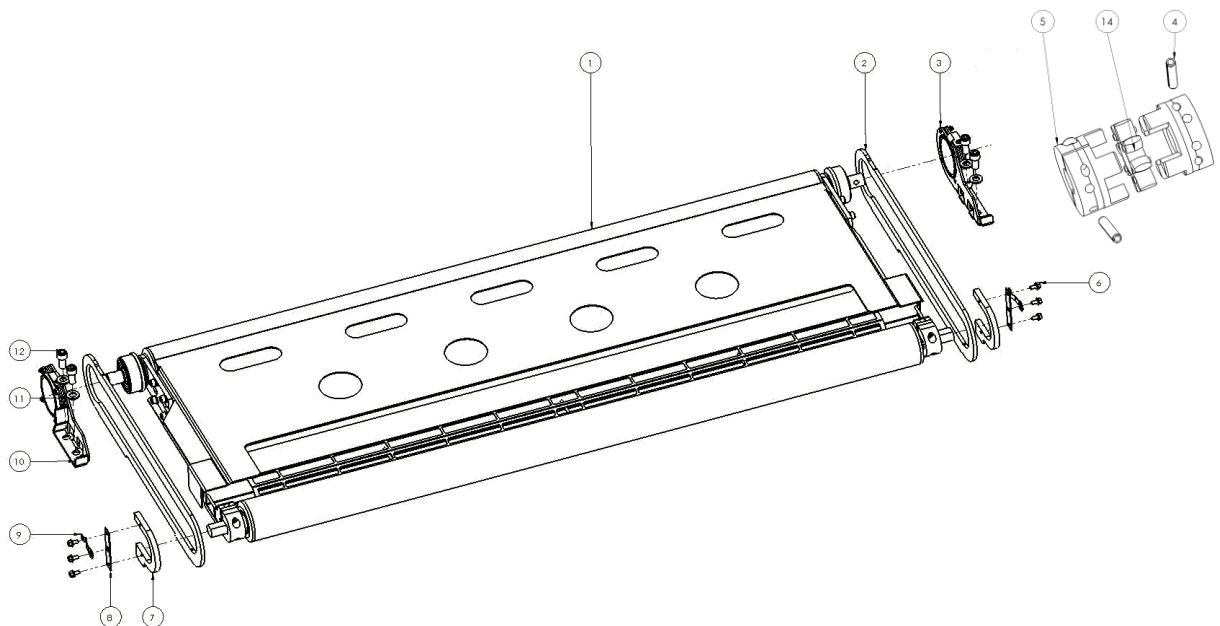
Pos.	Bezeichnung	Description	Artikelnummer/ Part No.	Tech. Info	Menge/ Qty.
1	Spindel für Bandkörper 1112mm	Shaft for Belt Body 1112mm	5ZN50316		1
	Spindel für Bandkörper 1417mm	Shaft for Belt Body 1417mm	5ZN50269		1
2	Verdrehsicherung	Distortion Lock	5ZN50276		1
3	Messingmutter	Brass Nut	5ZN50275		1
4	Feder	Spring	5ZN50270		1
5	Anpresstück	Bracket	5ZN50277		1
6	Laufbüchse mit Gleitlager	Bushing	5ZN51050		1
	Laufbüchse	Bushing	5ZN50278		1
7	Scheibe	Washer	5ZN70078	17mm	1
8	Sechskantmutter	Hexagon Nut	5ZN70018	M16	1
9	Bandkörperrahmen 1112mm	Belt Body Frame 1112mm	5ZN51119		1
	Bandkörperrahmen 1417mm	Belt Body Frame 1417mm	5ZN50900		1
10	Hebel	Lever	5ZN50904		1
11	Gleitlager	Bush Bearing	5ZN50321		1
12	Gleitscheibe	Slide Bush	5ZN50317		1
13	Gleitbüchse	Slide Bush	5ZN50321		1
14	Alu Klotz	Alu Block	5ZN50283		4
	Alu Klotz mit Gleitlager	Alu Block With Bush Bearing	5ZN51049		4
15	Bolzen Spannvorrichtung	Bolt Clamping Device	5ZN50318		1
16	Schubleiste 1112mm	Tension Guide	5ZN50273		1
	Schubleiste 1417mm	Tension Guide	5ZN50272		1
17	Winkel Rechts	Angle rh	5ZN50280		1
18	Winkel Links	Angle lh	5ZN50281		1
19	Verschieblech 1112mm	Sliding Sheet Metal 1112mm	5ZN50266		1
	Verschieblech 1417mm	Sliding Sheet Metal 1417mm	5ZN50265		1
20	Gleitlagerbuchse DU 20/23/30	Sliding Bushing	5ZN50319		1

Bandkörper Montageeinheit / Belt Body Mounting Unit Premium Flow 618/620/622/625/630/635



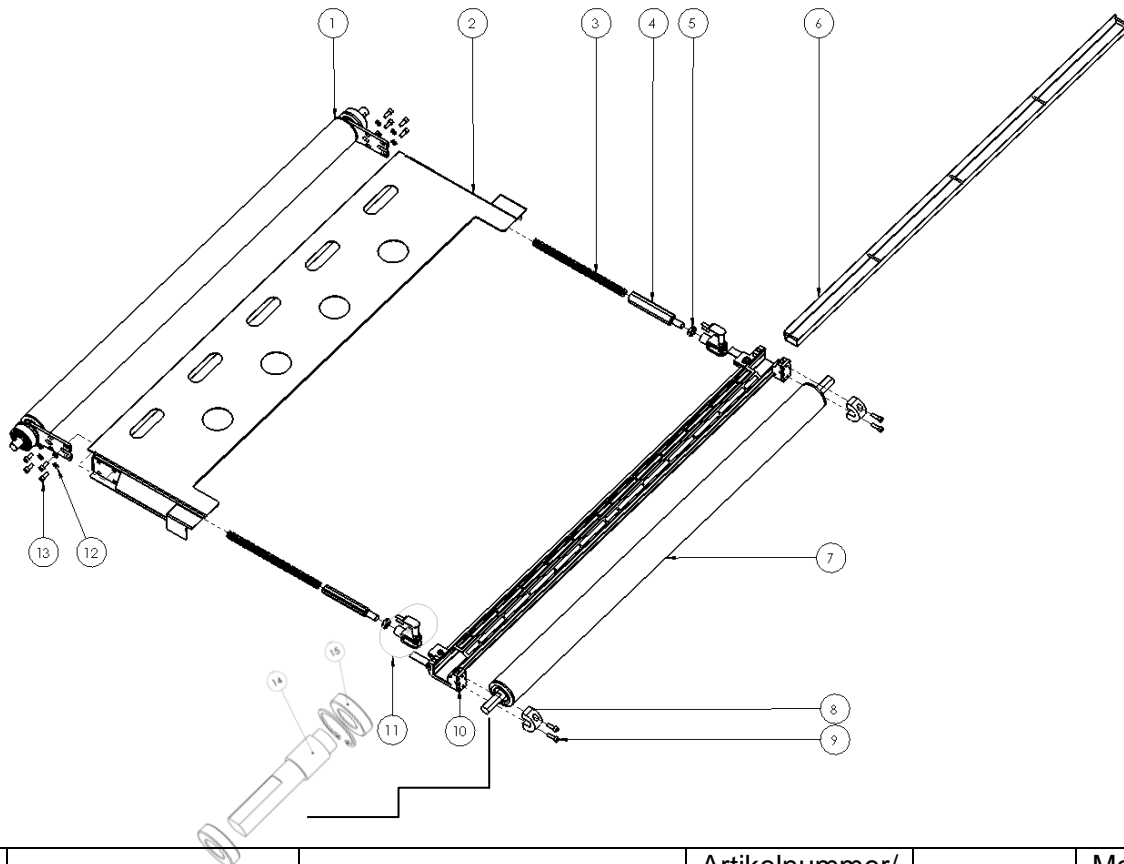
Pos.	Bezeichnung	Description	Artikelnummer/ Part No.	Tech. Info	Menge/ Qty.
1	Stoppmutter	Lock Nut	5ZN70020	M6	4
2	Lagerschale	Bearing	5ZN50897		1
3	Schwenkkalotte	Bearing	5ZN50896		1
4	Distanzscheibe	Spacer	5ZN50898		1
5	Drehlagerbock Links	Pivot Bearing Bracket lh	5ZN50894		1
	Drehlagerbock Rechts	Pivot Bearing Bracket rh	5ZN50895		1

Anbauteile Bandkörper/Assembling Parts Belt Body
Premium Flow 635 from 2011/ 25-30 from 2014/ all from
MY2015



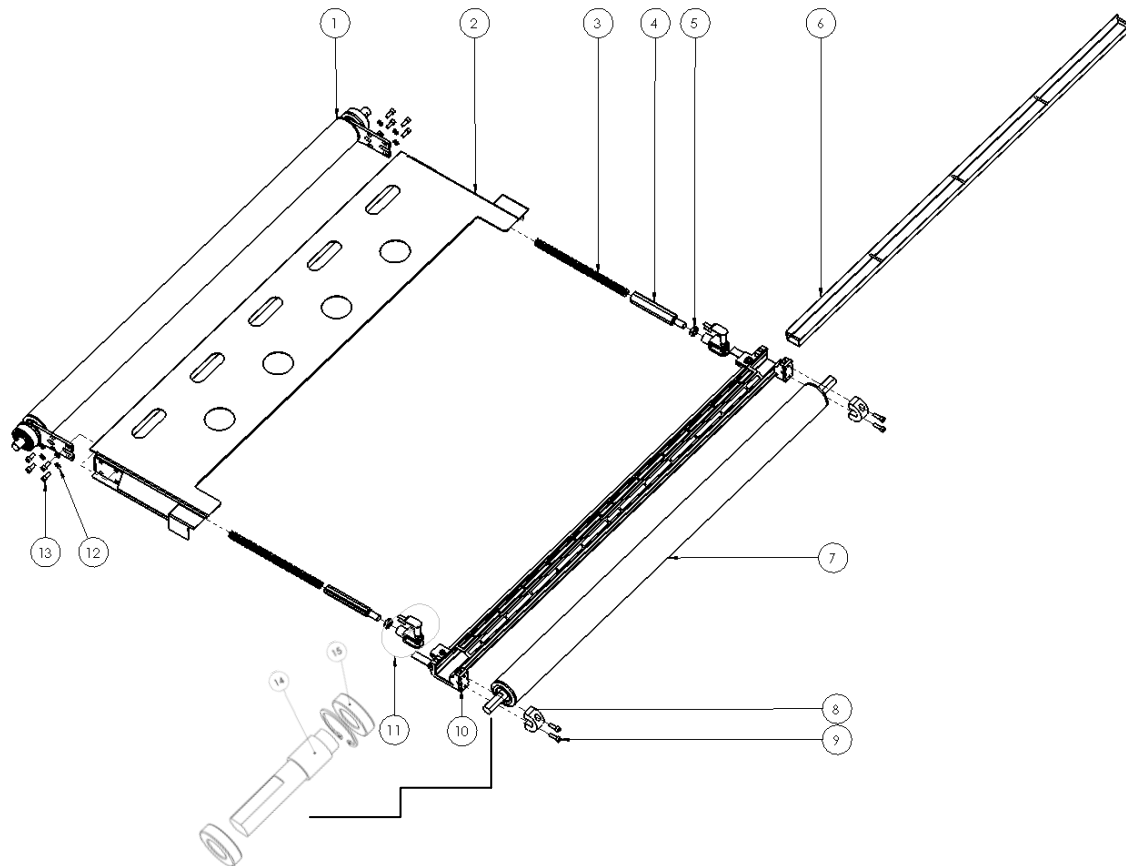
Pos.	Bezeichnung	Description	Artikelnummer/ Part No.	Tech. Info	Menge/ Qty.
1	Bandkörper	Belt Body Complete	5ZN51147	1417mm	1
	Bandkörper	Belt Body Complete	5ZN51992	1112mm	1
2	Schottung	Sealing 35Ft	5ZN51171		2
3	Schwenklagerbock links	Bearing Block lh	5ZN50917		1
4	Spannstift	Roll Pin	5ZN70096	8 x 40	2
5	Rotex Kupplung	Claw Coupling	5ZN50902	Incl. 14	1
6	Sperrzahnschraube	Latch Screw	5ZN70040	M6 x 10	6
7	Dichtung beweglich	Sealing Movable	5ZN50901		2
8	Halter für Schottung	Holder for Sealing	5ZN51416		2
9	Verschluss Schublade	Locking Plate Drawer	5ZN51417		2
10	Schwenklagerbock rechts	Bearing Block rh	5ZN50918		1
11	Scheibe	Washer	5ZN70076	A13 DIN125	4
12	Innensechskantschraube	Allen Bolt	5ZN70125	M12 x 25	4
13	Gummiband	Rubber Belts	5ZN50116	Not shown	1
14	Dämpfungselement rot	Absorber Segment, red	5ZN50512		1
	Dämpfungselement grün	Absorber Segment, green	5ZN51863	635	1

Bandkörper/ Belt Body
Premium Flow 635 from 2011/ 25-30 from 2014/ all from
MY2015



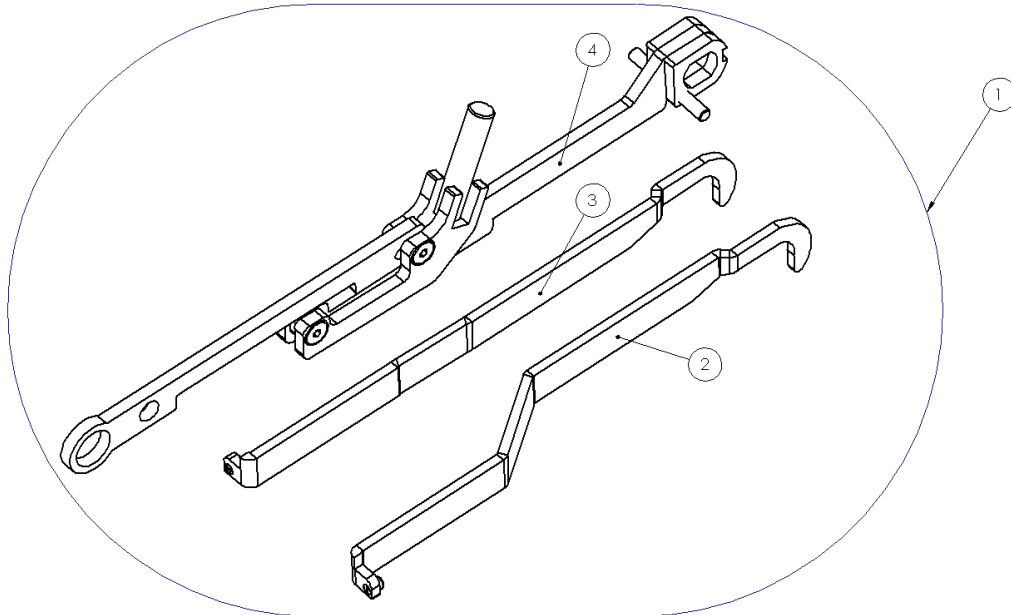
Pos.	Bezeichnung	Description	Artikelnummer/ Part No.	Tech. Info	Menge/ Qty.
1	Hintere Rolle mit Lager	Back Roller Including Bearings and Fixing Plates	5ZN51170	1417mm	1
2	Rahmen	Frame	5ZN51148		1
3	Feder	Spring	5ZN51351		2
4	Spannkolben	Face Plate Jaw	5ZN51154		2
5	Mutter niedrige Form	Nut Tin Type	5ZN70009	M16	2
6	Schublade	Drawer	5ZN51590		1
7	Vordere Rolle mit Lager	Front Roller Including Bearings and Fixing Plates	5ZN51594	1417mm	1
8	Haken	Clamp	5ZN51167		2
9	Innensechskantschraube	Allen Bolt	5ZN70069	M8 x 25	2
10	Schiebestück	Forked Sleeve	5ZN51155		2
11	Gabelgelenk	Fork Joint	5ZN51476		2
12	Scheibe	Washer	5ZN70109	A8,5 DIN125	8
13	Innensechskantschraube	Allen Bolt	5ZN70377	M8 x 20	8
14	Rollenstummel vorn	Shaft	5ZN51596		1
15	Rillenkugellager	Bearing	5ZN50310	6005	1

Bandkörper/ Belt Body Premium Flow 618/622 from MY2015



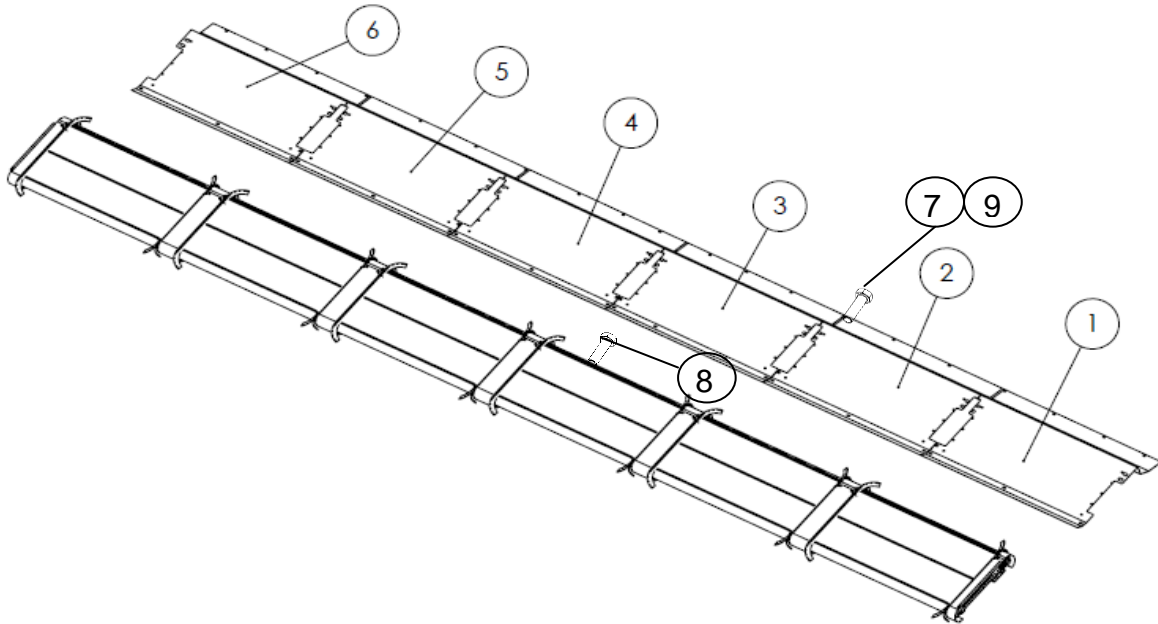
Pos.	Bezeichnung	Description	Artikelnummer/ Part No.	Tech. Info	Menge/ Qty.
1	Hintere Rolle mit Lager	Back Roller Including Bearings and Fixing Plates	5ZN51376	1112mm	1
2	Rahmen	Frame	5ZN51984		1
3	Feder	Spring	5ZN51351		2
4	Spannkolben	Face Plate Jaw	5ZN51154		2
5	Mutter niedrige Form	Nut Tin Type	5ZN70009	M16	2
6	Schublade	Drawer	5ZN51994		1
7	Vordere Rolle mit Lager	Front Roller Including Bearings and Fixing Plates	5ZN51983	1112mm	1
8	Haken	Clamp	5ZN51167		2
9	Innensechskant-schraube	Allen Bolt	5ZN70069	M8 x 25	2
10	Schiebestück	Forked Sleeve	5ZN51987		2
11	Gabelgelenk	Fork Joint	5ZN51476		2
12	Scheibe	Washer	5ZN70109	A8,5 DIN125	8
13	Innensechskant-schraube	Allen Bolt	5ZN70377	M8 x 20	8
14	Rollenstummel vorn	Shaft	5ZN51596		1
15	Rillenkugellager	Bearing	5ZN50310	6005	1

Montage Werkzeug/ Assembling Tool Premium Flow 635



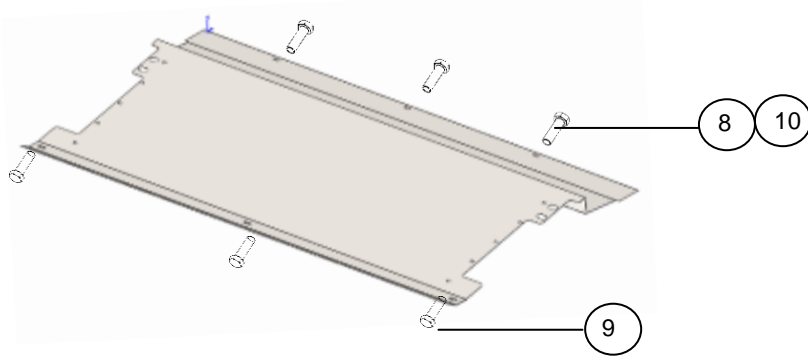
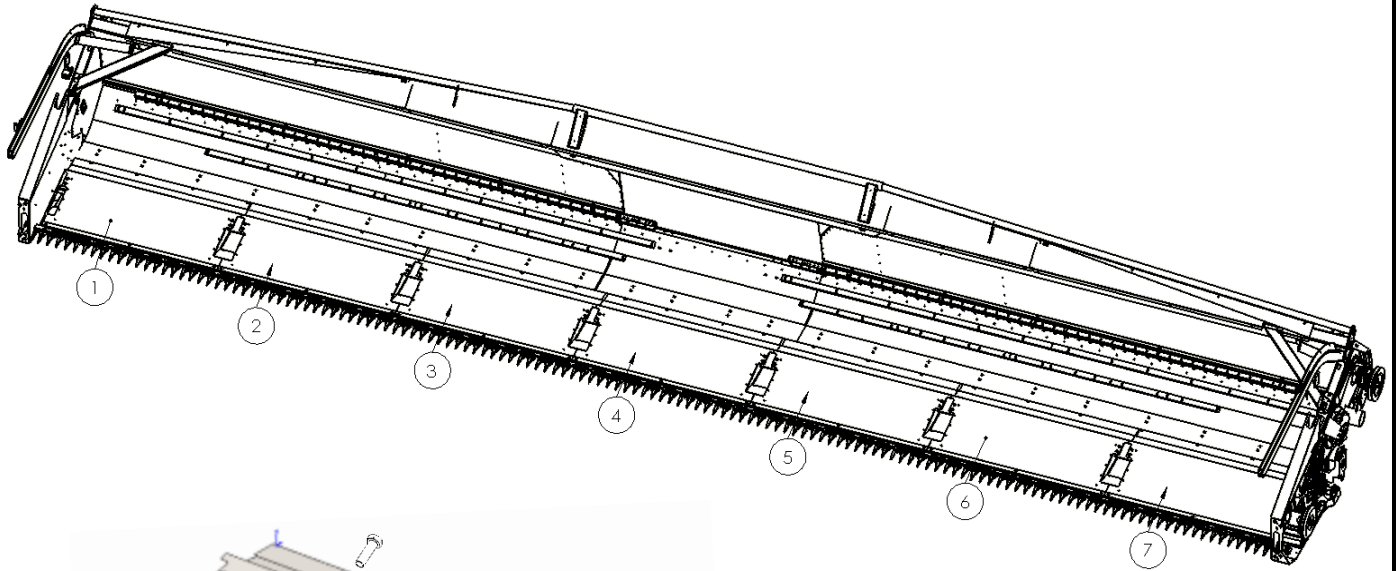
Pos.	Bezeichnung	Description	Artikelnummer/ Part No.	Tech. Info	Menge/ Qty.
1	Spansatz Bandkörper	Tool Kit Belt Body	5ZN51661	Together with pump lever 50380	1
2	Haken links	Hook Left	5ZN51658		1
3	Haken rechts	Hook Right	5ZN51659		1
4	Bandenspannungs- werkzeug	Tension Tool	5ZN51183		1
5	Hebel	Lever	5ZN50380	Not shown	1

Bodenblech / Floor Section Premium Flow 618/620/622/625/630



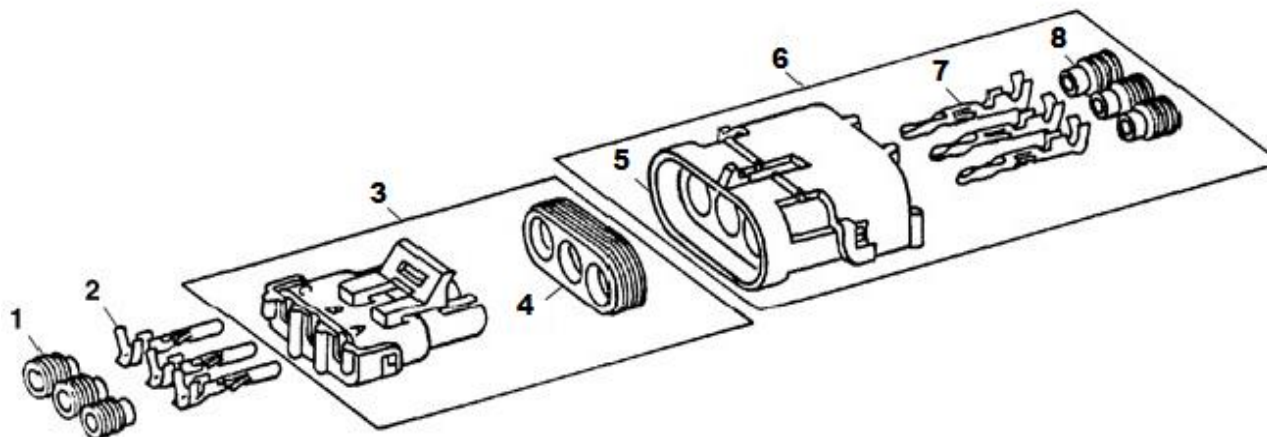
Pos.	Bezeichnung	Description	Artikelnummer/ Part No.	Tech. Info	Menge/ Qty.
1	Bodenblech Links Außen	Floor Section lh Outside	5ZN50198	618	1
	Bodenblech Links Außen	Floor Section lh Outside	5ZN50202	620	1
	Bodenblech Links Außen	Floor Section lh Outside	5ZN50206	622	1
	Bodenblech Links Außen	Floor Section lh Outside	5ZN50211	625	1
	Bodenblech Links Außen	Floor Section lh Outside	5ZN50216	630	1
2	Bodenblech Links	Floor Section Left	5ZN50217	630	1
	Bodenblech Links Mitte	Floor Section lh Middle	5ZN50207	622	1
	Bodenblech Links Mitte	Floor Section lh Middle	5ZN50212	625	1
3	Bodenblech Links Mitte	Floor Section lh Middle	5ZN50199	618	1
	Bodenblech Links Mitte	Floor Section lh Middle	5ZN50203	620	1
	Bodenblech Mitte	Floor Section Middle	5ZN50208	622	1
	Bodenblech Mitte	Floor Section Middle	5ZN50213	625	1
	Bodenblech Links Mitte	Floor Section lh Middle	5ZN50218	630	1
4	Bodenblech Rechts Mitte	Floor Section rh Middle	5ZN50200	618	1
	Bodenblech Rechts Mitte	Floor Section rh Middle	5ZN50204	620	1
	Bodenblech Rechts Mitte	Floor Section rh Middle	5ZN50219	630	1
5	Bodenblech Rechts	Floor Section Right	5ZN50220	630	1
	Bodenblech Rechts Mitte	Floor Section rh Middle	5ZN50209	622	1
	Bodenblech Rechts Mitte	Floor Section rh Middle	5ZN50214	625	1
6	Bodenblech Rechts Außen	Floor Section rh Outside	5ZN50201	618	1
	Bodenblech Rechts Außen	Floor Section rh Outside	5ZN50205	620	1
	Bodenblech Rechts Außen	Floor Section rh Outside	5ZN50210	622	1
	Bodenblech Rechts Außen	Floor Section rh Outside	5ZN50215	625	1
	Bodenblech Rechts Außen	Floor Section rh Outside	5ZN50221	630	1
7	Sperrzahnschraube SW10	Latch Screw SW10	5ZN70969	M6x20	AR
8	Schraube Halbrundkopf mit Bund	Button Head Screw	5ZN70970	M8x12	AR
9	Scheibe	Washer	5ZN70177	6,4x20x1,25 DIN522	AR

Bodenblech/ Floor Section Premium Flow 635



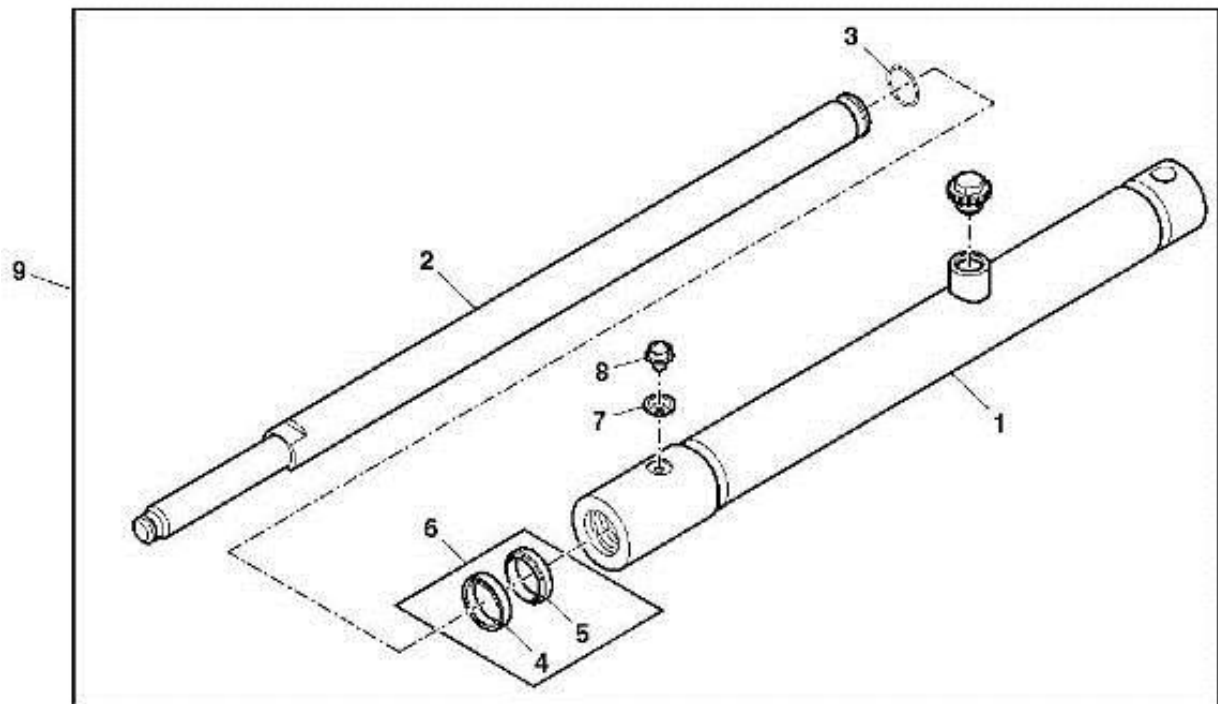
Pos.	Bezeichnung	Description	Artikelnummer/ Part No.	Tech. Info	Menge/ Qty.
1	Bodenblech rechts außen	Floor Section rh External	5ZN51458	635 till MY2014	1
	Bodenblech rechts außen	Floor Section rh External	5ZN52063	635 from MY2015	1
2	Bodenblech rechts	Floor Section rh	5ZN51463	635 till MY2014	1
	Bodenblech rechts	Floor Section rh	5ZN52074	635 from MY2015	1
3	Bodenblech Mitte rechts	Floor Section rh Middle	5ZN51462	635 till MY2014	1
	Bodenblech Mitte rechts	Floor Section rh Middle	5ZN52072	635 from MY2015	1
4	Bodenblech Mitte	Floor Section Middle	5ZN51461	635 till MY2014	1
	Bodenblech Mitte	Floor Section Middle	5ZN52070	635 from MY2015	1
5	Bodenblech Mitte links	Floor Section lh Middle	5ZN51460	635 till MY2014	1
	Bodenblech Mitte links	Floor Section lh Middle	5ZN52068	635 from MY2015	1
6	Bodenblech links	Floor Section lh	5ZN51459	635 till MY2014	1
	Bodenblech links	Floor Section lh	5ZN52065	635 from MY2015	1
7	Bodenblech links außen	Floor Section lh External	5ZN51457	635 till MY2014	1
	Bodenblech links außen	Floor Section lh External	5ZN52060	635 from MY2015	1
8	Sperrzahnschraube SW10	Latch Screw SW10	5ZN70969	M6x20	AR
9	Schraube Halbrundkopf mit Bund	Button Head Screw	5ZN70970	M8x12	AR
10	Scheibe	Washer	5ZN70177	6,4x20x1,2 5 DIN522	AR

Elektrischer Kabelbaum/ Wiring Harness Premium Flow 618/620/622/625/630/635



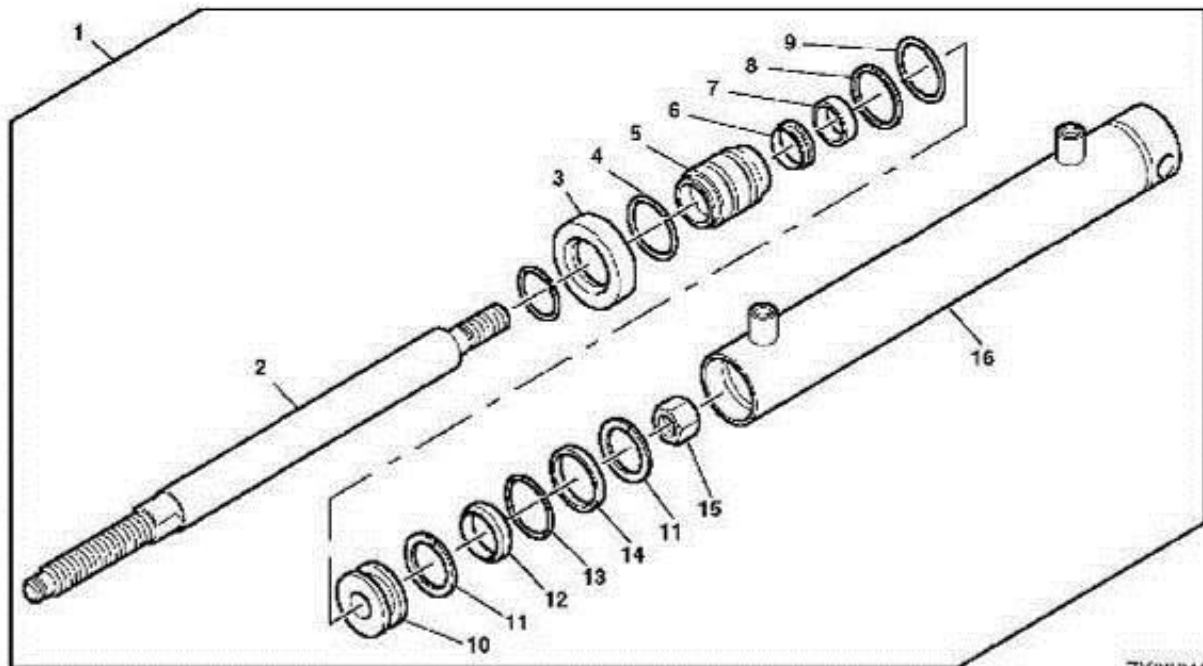
Pos.	Bezeichnung	Description	Artikelnummer/ Part No.	Tech. Info	Menge/ Qty.
1	Dichtungen	Elec. Connector	R78059		3
2	PIN elektrisch männlich	Elec. Connector Terminal	R78057		3
3	Stecker weiblich	Elec. Connector Assy	RE12364		1
4	Dichtung	Seal	R78049		1
5	Stecker männlich	Elec. Connector Assy	R78054		1
6	Stecker	Elec. Connector Assy	RE12332		1
7	PIN elektrisch weiblich	Elec. Connector Terminal	R78061		3
8	Dichtungen	Elec. Connector Seal	R78063		3
9	Verlängerung Tastkufe links 3x1,5mm ²	Wire Header Track Left	5ZN50437	618/620/622/625/630/635 Length: 1400mm Not shown	1
10	Verlängerung Tastkufe rechts 3x1,5mm ²	Wire Header Track Right	5ZN50438	618/620/622/625/630/635 Length: 1100mm Not shown	1
11	Verlängerung Tastkufe Mitte 3x15mm ²	Wire Header Track Middle	5ZN50439	622/625/630/635 Length: 8000mm Not shown	1
12	Verlängerung Haspelhorizontal-zylinder	Wire Reel Fore/After	5ZN50441	618/620/622/625/630/635 Length: 2500mm Not Shown	1

Haspelhubzylinder Links / Reel Lift Slave Cylinder Premium Flow 618/620/622/625/630/635



Pos.	Bezeichnung	Description	Artikelnummer/ Part No.	Tech. Info	Menge/ Qty.
1	Hydraulikzylinderhülse	Hydraulic Cylinder Barrel			1
2	Kolben	Piston			1
	Kolben	Piston			1
3	Sicherungsring	Snap Ring			1
4	Abdichtung	Seal	H158676	OD=25mm	1
	Abdichtung	Seal	H172765	OD=28mm	1
5	Abdichtung	Seal	H164925	OD=25mm	1
	Abdichtung	Seal	H172764	OD=28mm	1
6	Hydraulikzylinder Kit	Hydraulic Cylinder Kit	AH168431	OD=25mm	1
7	Scheibe	Washer	AH222054		1
8	Schraube	Screw	H174464		1
9	Hydraulikzylinder	Hydraulic Cylinder	AH167316	OD=25mm Pos.1-8 618/620/622/625	1
	Hydraulikzylinder	Hydraulic Cylinder	AH174990	OD=28mm 630	1
	Hydraulikzylinder	Hydraulic Cylinder	5ZN51867	OD=28mm 635	1

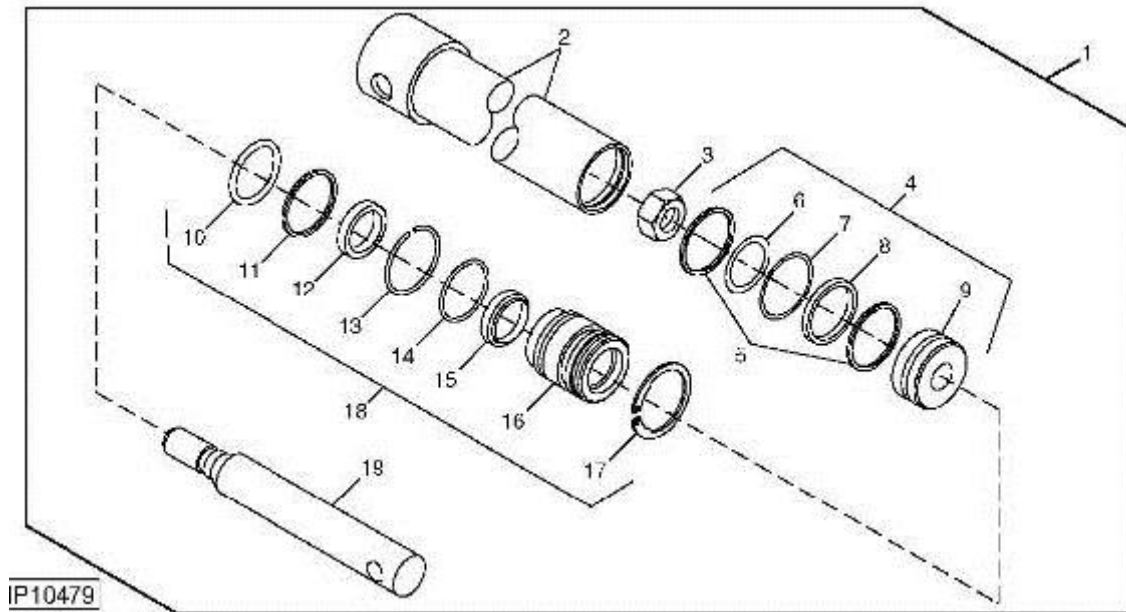
Haspelhubzylinder Rechts / Reel Lift Master Cylinder Premium Flow 618/620/622/625/630/635



ZX03215f

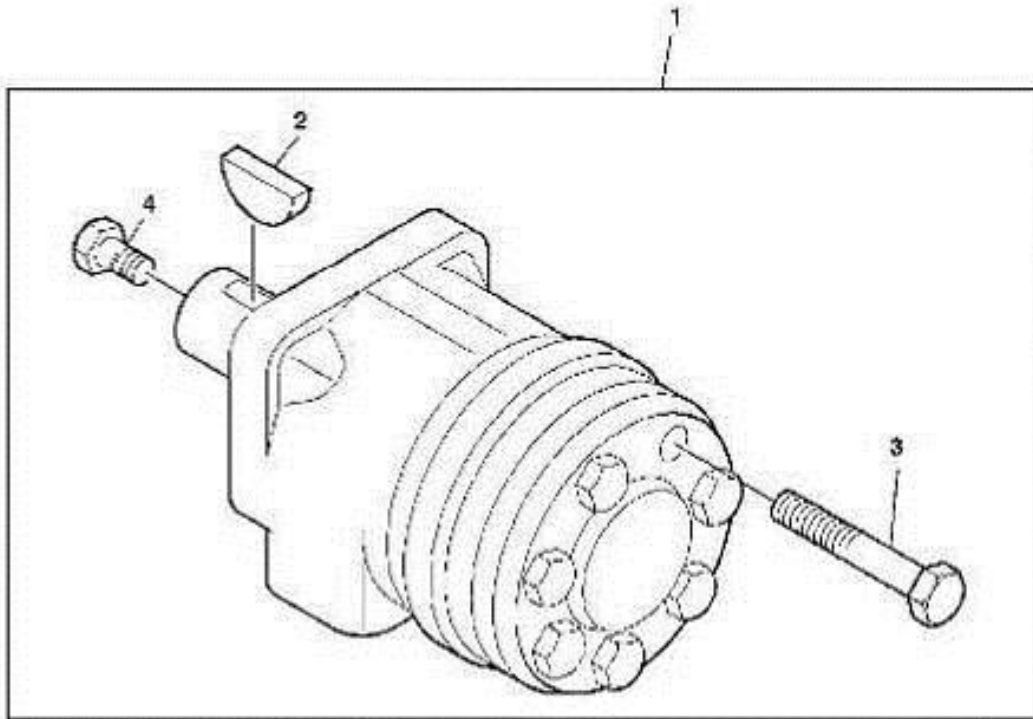
Pos.	Bezeichnung	Description	Artikelnummer/ Part No.	Tech. Info	Menge/ Qty.
1	Zylinder	Cylinder	AH167315	618/620/622/ 625 Pos.2-16	1
	Zylinder	Cylinder	AH175720	630	1
	Zylinder	Cylinder	AH175734	635	1
2	Stange	Rod			1
3	Abdichtung	Cap			1
4	Ring	Ring	H173206		1
5	Hydraulikzylinder Stangenführung	Hydraulic Cylinder Rod Guide			1
6	Abdichtung	Seal	H172765		1
7	Abdichtung	Seal			1
	Abdichtung	Seal	H172764		1
8	Stützring	Back-Up Ring	H162312		1
9	O-Ring	O-Ring	P51079		1
	O-Ring	O-Ring	H162306		1
10	Kolben	Piston			1
11	Stützring	Back-Up Ring			2
12	Abdichtung	Seal			1
13	Abdichtung	Seal			1
14	Abdichtung	Seal			1
15	Mutter	Nut	H170534		1
16	Hydraulikzylinderhülse	Hydraulic Cylinder Barrel			1
	Hydraulikzylinder Kit	Hydraulic Cylinder Kit	AH174428		1

Haspelhorizontalzylinder / Reel Fore/Aft Cylinder Premium Flow 618/620/622/625/630/635



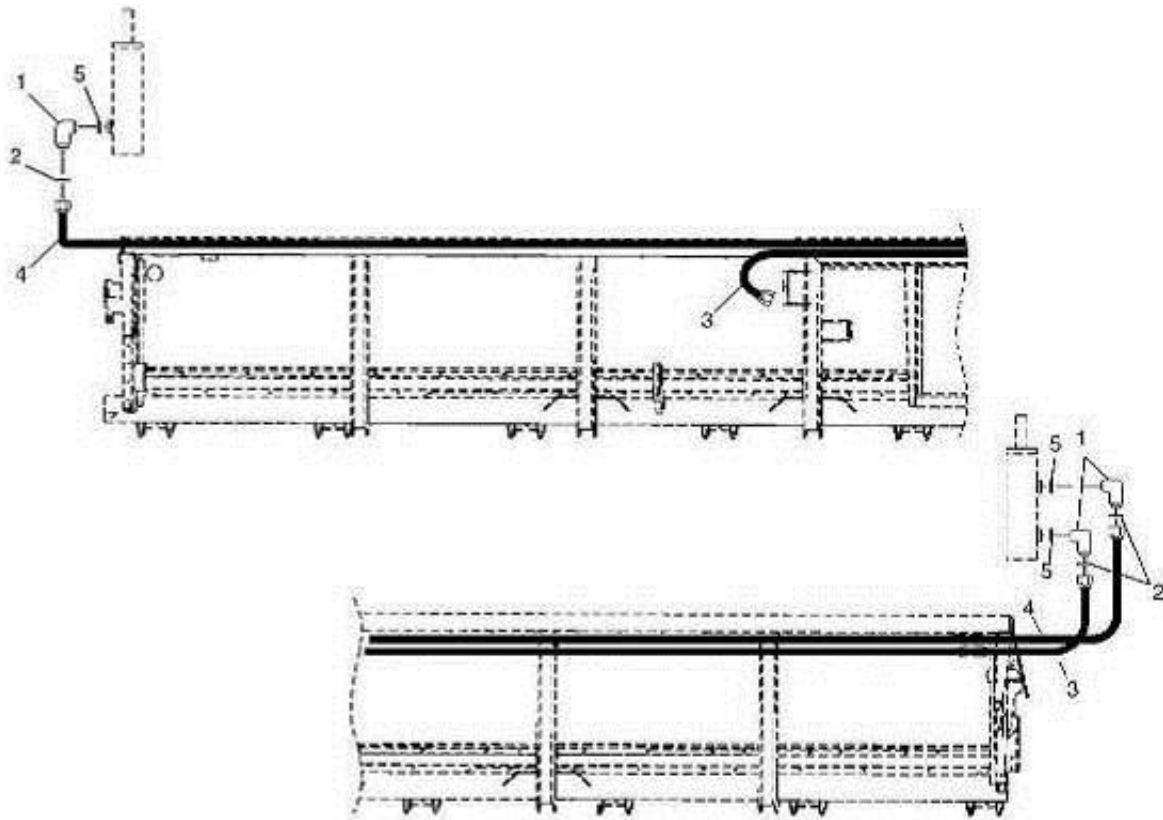
Pos.	Bezeichnung	Description	Artikelnummer/ Part No.	Tech. Info	Menge/ Qty.
1	Zylinder	Cylinder	AH168143	RH	1
	Zylinder	Cylinder	AH168144	LH	1
2	Hydraulikzylinderhülse	Hydraulic Cylinder Barrel			1
3	Mutter	Nut			1
4	Kolben	Piston			1
5	Stützring	Back-Up Ring			2
6	Abdichtung	Seal			1
7	Abdichtung	Seal			1
8	Abdichtung	Seal			1
9	Kolben	Piston			1
10	O-Ring	O-Ring	P51079		1
11	Ring	Ring			1
12	Abdichtung	Seal			1
13	Ring	Ring			1
14	O-Ring	O-Ring			1
15	Abdichtung	Seal			1
16	Hydraulikzylinder Stangenführung	Hydraulic Cylinder Rod Guide			1
17	Sicherheitsring	Snap Ring			1
18	Hydraulikzylinder Stangenführung	Hydraulic Cylinder Rod Guide			1
19	Stange	Rod			1
	Hydraulikzylinder Kit	Hydraulic Cylinder Kit	AH174428	Not shown	1

Haspelmotor / Reel Hydraulic Motor Premium Flow 618/620/622/625/630/635



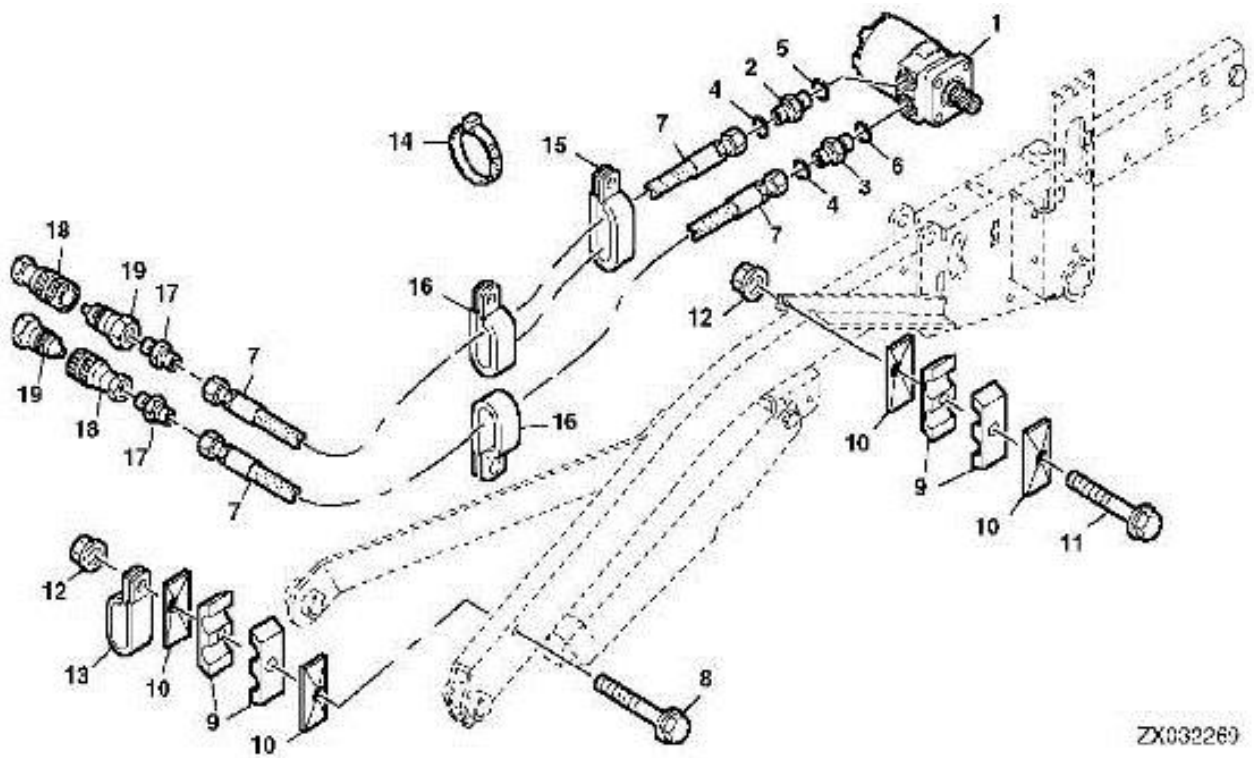
Pos.	Bezeichnung	Description	Artikelnummer/ Part No.	Tech. Info	Menge/ Qty.
1	Hydraulik Motor	Hydraulic Motor	AZ65723		2
2	Passfeder	Shaft Key	Z77367		1
3	Schraube	Bolt			6
4	Sechskantschraube	Cap Screw	19H1996	1/4"x2"	1
	Dichtungssatz	Seal Kit	AA48301		1
	Dichtung	Gasket	AZ62658		1
	Dichtung	Gasket	AZ62659		1
	Nadellager	Needle Bearing	AZ62660		1

Hydraulikleitungen Haspelhub / Reel Lift Line Premium Flow 618/620/622/625/630/635



Pos.	Bezeichnung	Description	Artikelnummer/ Part No.	Tech. Info	Menge/ Qty.
1	Winkelverschraubung	Elbow Fitting	38H1004		3
2	O-Ring	O-Ring	T77613		3
3	Hydraulikschlauch	Hydraulic Hose	AH165631	618	1
	Hydraulikschlauch	Hydraulic Hose	AH165630	620	1
	Hydraulikschlauch	Hydraulic Hose	AH165629	622	1
	Hydraulikschlauch	Hydraulic Hose	AH165628	625	1
	Hydraulikschlauch	Hydraulic Hose	AH165627	630	1
	Hydraulikschlauch	Hydraulic Hose	AXE16260	635	1
4	Hydraulikschlauch	Hydraulic Hose	AH165452	618	1
	Hydraulikschlauch	Hydraulic Hose	AH165445	620	1
	Hydraulikschlauch	Hydraulic Hose	AH165437	622	1
	Hydraulikschlauch	Hydraulic Hose	AH165429	625	1
	Hydraulikschlauch	Hydraulic Hose	AH165029	630	1
	Hydraulikschlauch	Hydraulic Hose	AH204359	635	1
5	O-Ring	O-Ring	R26448		3

Hydraulikleitungen Haspelmotor / Reel Drive Hoses Premium Flow 618/620/622/625/630/635

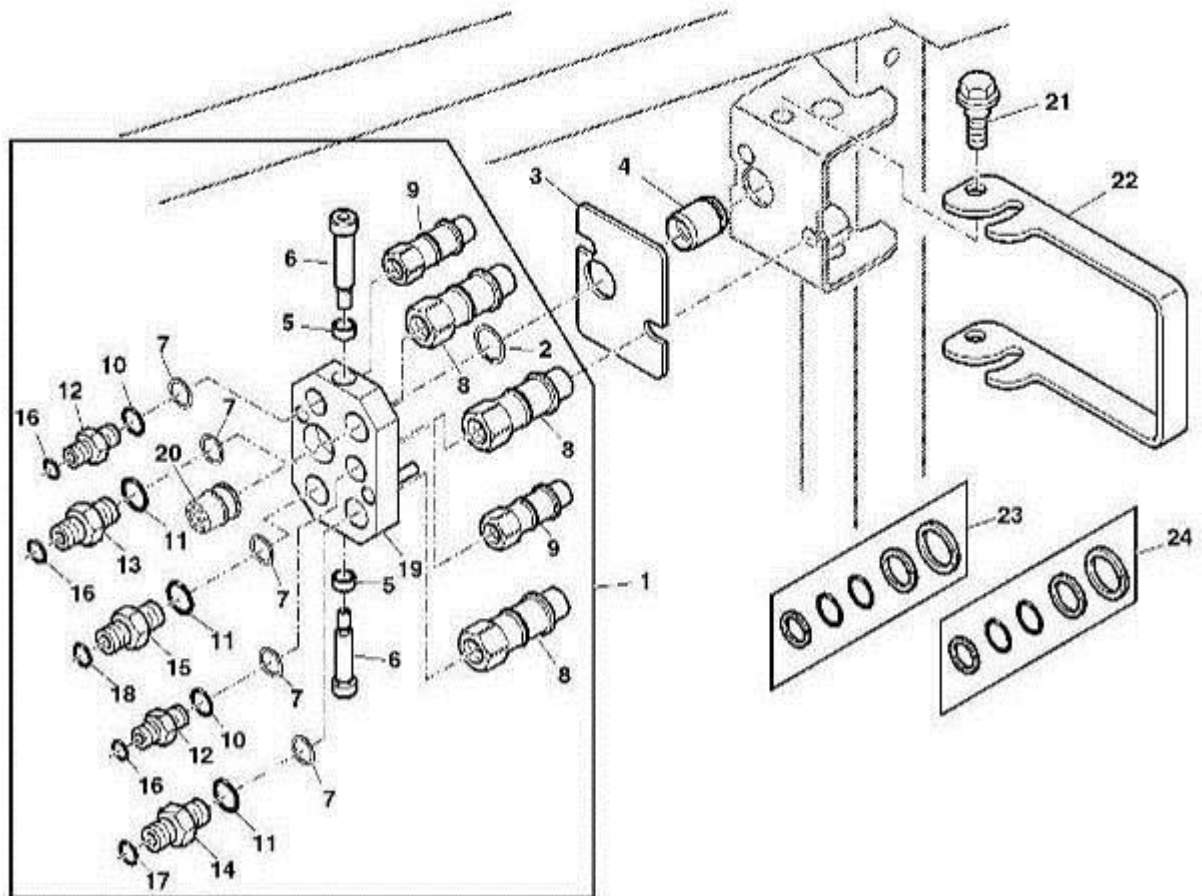


ZX032269

Hydraulikleitungen Haspelmotor / Reel Drive Hoses
Premium Flow 618/620/622/625/630/635

Pos.	Bezeichnung	Description	Artikelnummer/ Part No.	Tech. Info	Menge/ Qty.
1	Hydraulik Motor	Hydraulic Motor	AZ65723		1
2	Anschlussstück	Adapter Fitting	38H1162		1
3	Anschlussstück	Adapter Fitting	38H1174		1
4	O-Ring	O-Ring	R26906		2
5	O-Ring	O-Ring	T77932		1
6	O-Ring	O-Ring	T77857		1
7	Hydraulikschlauch	Hydraulic Hose	AH165440	618	2
	Hydraulikschlauch	Hydraulic Hose	AH165432	620	2
	Hydraulikschlauch	Hydraulic Hose	AH165423	622	2
	Hydraulikschlauch	Hydraulic Hose	AH165025	625	2
	Hydraulikschlauch	Hydraulic Hose	AH204355	630	2
	Hydraulikschlauch	Hydraulic Hose	AH204355	635	2
	Hydraulikschlauch	Hydraulic Hose	5ZN50835	635+AH204355 Big Adapter	1
	Hydraulikschlauch	Hydraulic Hose	5ZN50836	635+AH204355 Small Adapter	1
8	Schraube	Screw	19M7970	M8x100	1
9	Flachklemme	Clamp	H122772		4
10	Plate	Plate	H112567		4
11	Schraube	Screw	19M7801	M8x60	1
12	Flanschmutter	Flange Nut	14M7298	M8	2
13	Bügel	Clip	AH77869		1
14	Kabelbinder	Tie Band	H77698		AR
15	Flachklemme	Clamp	H117952		1
16	Bügel	Clip	AH77869		2
17	Anschlussstück	Adapter Fitting	38H1161		2
18	Hydraulikkupplungsdose	Hydr. Quick Coupler Socket	AH75167		2
19	Hydraulikkupplungsstecker	Hydr. Quick Coupler Plug	AR94522		2
20	Schlauchschutz	Hose Guard	Z76590	LGTH=1000mm Not shown	

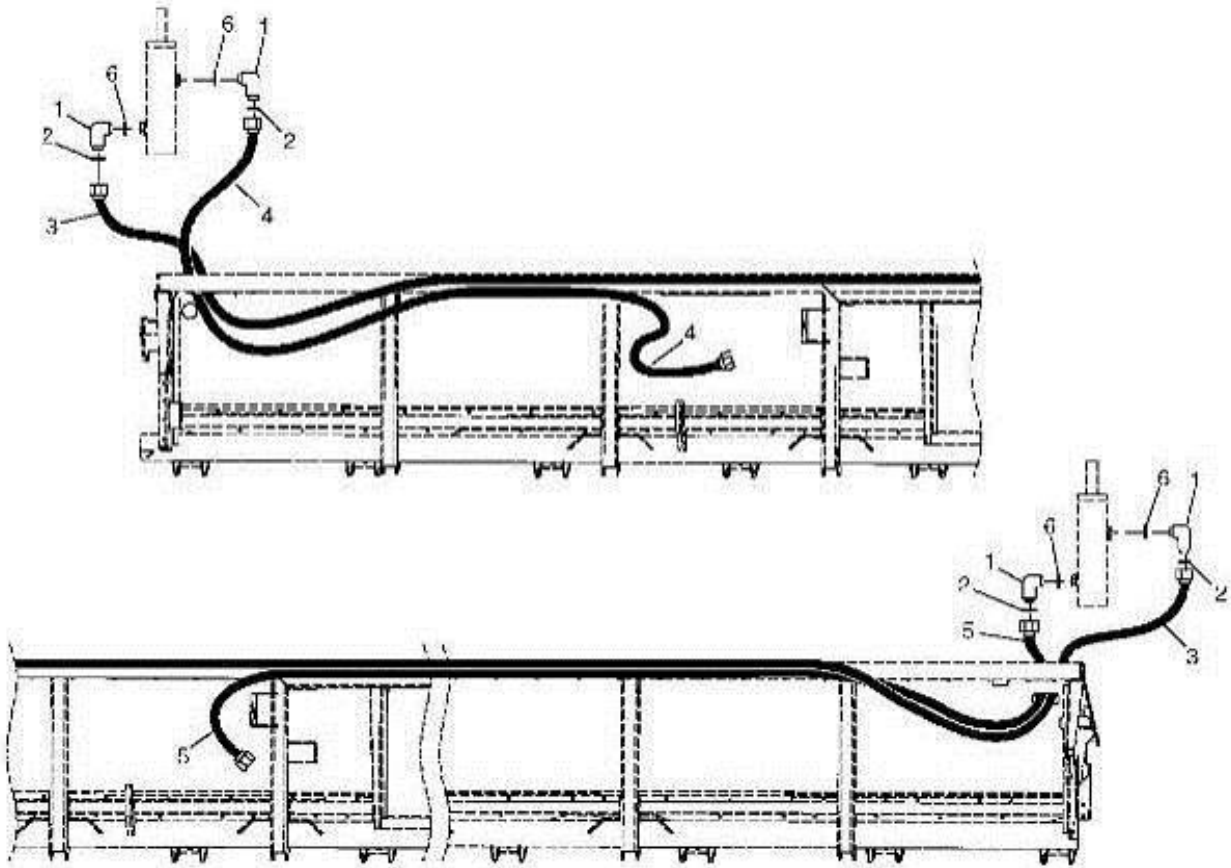
Multikuppler / Multicoupler Premium Flow 618/620/622/625/630/635



Multikuppler / Multicoupler
Premium Flow 618/620/622/625/630/635

Pos.	Bezeichnung	Description	Artikelnummer/ Part No.	Tech. Info	Menge/ Qty.
1	Kupplung	Coupling	AH166991		1
2	Sicherungsring	Snap Ring	H175880		1
3	Auflager	Pad	H201010		1
4	Stopfen	Plug	H176288		1
5	Bolzen	Bolt	H202073		2
6	Buchse	Bushing	H202071		2
7	Sicherungsring	Snap Ring	H178181		5
8	Hydraulikkupplungs- stecker	Hydraulic Quick Coupler Socket	AH225669		3
9	Hydraulikkupplungs- stecker	Hydraulic Quick Coupler Socket	AH225668		2
10	O-Ring	O-Ring	R26375		AR
11	O-Ring	O-Ring	R26906		AR
12	Anschlussstück	Adapter Fitting	38H1171		2
13	Anschlussstück	Adapter Fitting	38H1172		1
14	Anschlussstück	Adapter Fitting	38H1162		1
15	Anschlussstück	Adapter Fitting	38H1174		1
16	O-Ring	O-Ring	T77613		3
17	O-Ring	O-Ring	T77932		1
18	O-Ring	O-Ring	T77857		1
19	Platte	Plate	AH201340		1
20	Steckergehäuse	Electric Connector Housing	AH168765		1
21	Schraube	Screw	H169568		2
22	Griff	Handle	H202866		1
23	Dichtungskit	Seal Kit	AH225672		1
24	Dichtungskit	Seal Kit	AH225673		1

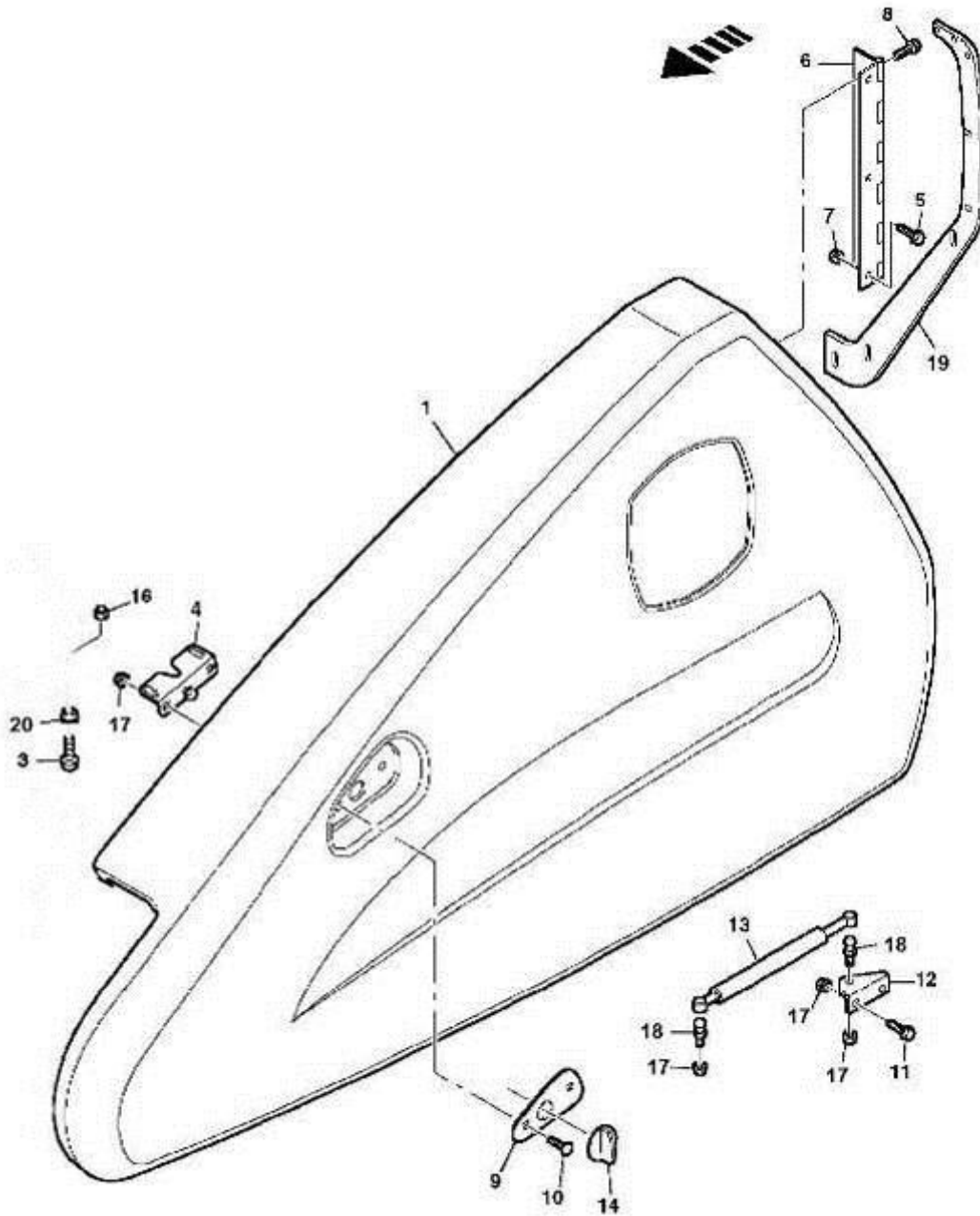
Hydraulikleitungen Haspelhorizontalverstellung / Reel Fore And Aft Hydraulic Lines Premium Flow 618/620/622/625/630/635



Hydraulikleitungen Haspelhorizontalverstellung /
 Reel Fore And Aft Hydraulic Lines
 Premium Flow 618/620/622/625/630/635

Pos.	Bezeichnung	Description	Artikelnummer/ Part No.	Tech. Info	Menge/ Qty.
1	Winkelverschraubung	Elbow Fitting	38H1004		4
2	O-Ring	O-Ring	T77613		4
3	Hydraulikschlauch	Hydraulic Hose	AH165450	618	1
	Hydraulikschlauch	Hydraulic Hose	AH165443	620	1
	Hydraulikschlauch	Hydraulic Hose	AH165435	622	1
	Hydraulikschlauch	Hydraulic Hose	AH165426	625	1
	Hydraulikschlauch	Hydraulic Hose	AH165427	630	1
	Hydraulikschlauch	Hydraulic Hose	AH204357	635	1
4	Hydraulikschlauch	Hydraulic Hose	AH165448	618	1
	Hydraulikschlauch	Hydraulic Hose	AH165441	620	1
	Hydraulikschlauch	Hydraulic Hose	AH165433	622	1
	Hydraulikschlauch	Hydraulic Hose	AH165424	625	1
	Hydraulikschlauch	Hydraulic Hose	AH165026	630	1
	Hydraulikschlauch	Hydraulic Hose	AH204356	635	1
5	Hydraulikschlauch	Hydraulic Hose	AH165449	618	1
	Hydraulikschlauch	Hydraulic Hose	AH165442	620	1
	Hydraulikschlauch	Hydraulic Hose	AH165434	622	1
	Hydraulikschlauch	Hydraulic Hose	AH165425	625	1
	Hydraulikschlauch	Hydraulic Hose	AH165027	630	1
	Hydraulikschlauch	Hydraulic Hose	AH204358	635	1
6	O-Ring	O-Ring	R26448		4

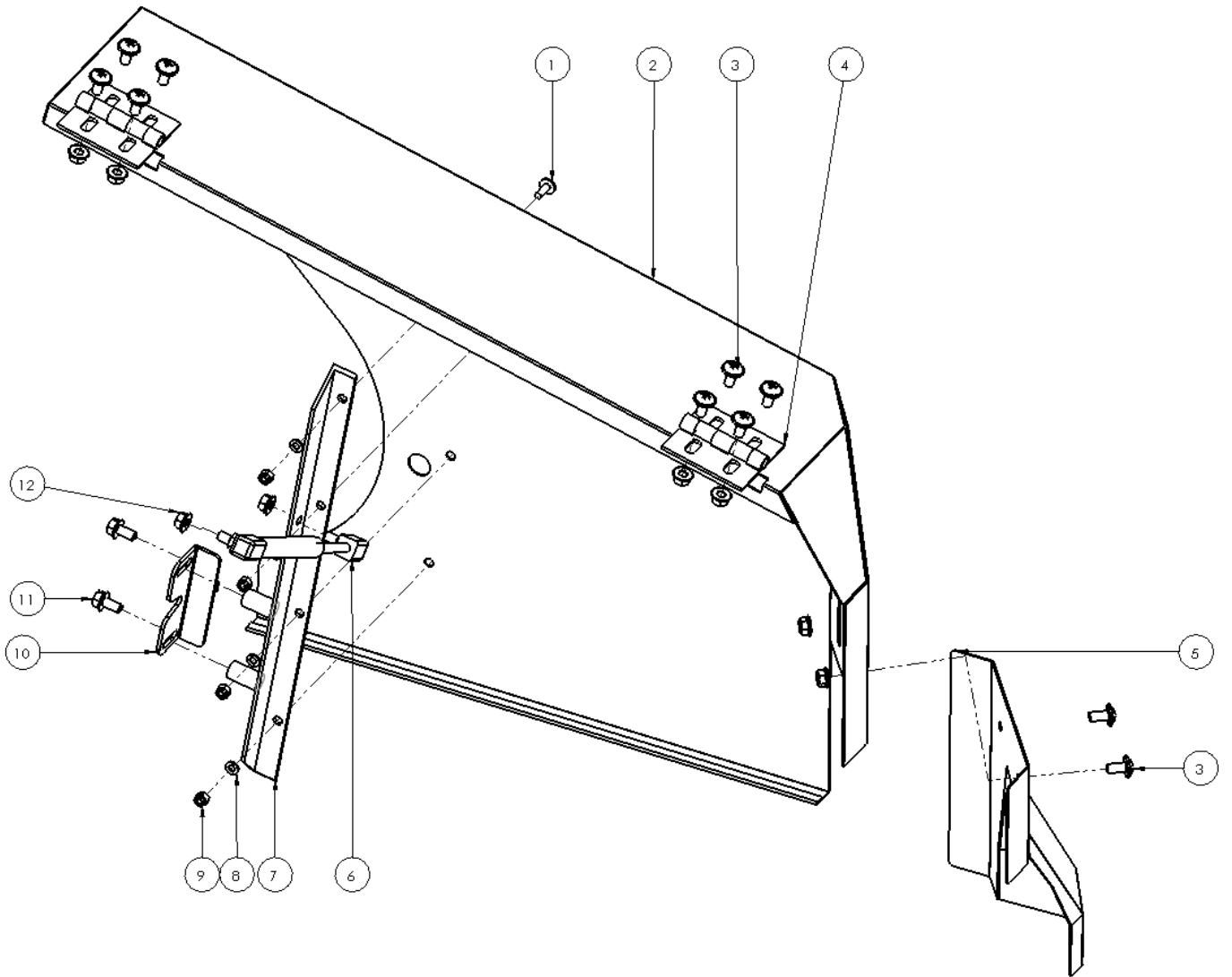
Plastikschutz Hinten / End Shield Left
Premium Flow 618/620/622/625/630/635



Plastikschutz Hinten / End Shield Left
Premium Flow 618/620/622/625/630/635

Pos.	Bezeichnung	Description	Artikelnummer/ Part No.	Tech. Info	Menge/ Qty.
1	Schutztüre	Shield	H176295		1
3	Sechskantschraube	Cap Screw	19M8183	M10x90	2
4	Verriegelung	Buckle	AZ102725		1
5	Schraube	Screw	19M7867	M8x25	2
6	Scharnier	Hinge	AH167427		1
7	Stopfmutter	Lock Nut	H137328	M8	3
8	Schraube	Screw	37M7083	M8x12	4
9	Verstärkung	Reinforcement	H176396		1
10	Schlossschraube	Bolt	03M7184	M8x20	2
11	Sechskantschraube	Screw	19M7866	M8x20	2
12	Haltewinkel	Bracket	H173921		1
13	Gasdruckfeder	Gas Operated Cylinder	AZ101728		1
14	Griff	Handle	Z63847		1
16	Stopfmutter	Lock Nut	14M7400	M10	2
17	Flanschmutter	Flange Nut	14M7296	M8	1
18	Kugelzapfen	Ball Stud	R237474		2
19	Verstärkung	Spacer	H202851		1
20	Flanschmutter	Flange Nut	14M7296	M10	1

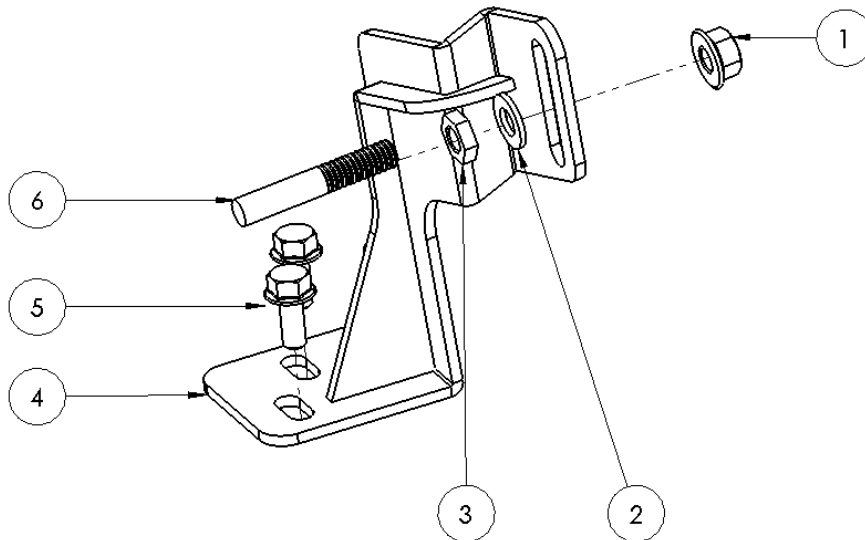
Edelstahlschutz Vorne Links / Stainless Guard Left Premium Flow 618/620/622/625/630/635



Edelstahlschutz Vorne Links / Stainless Guard Left
Premium Flow 618/620/622/625/630/635

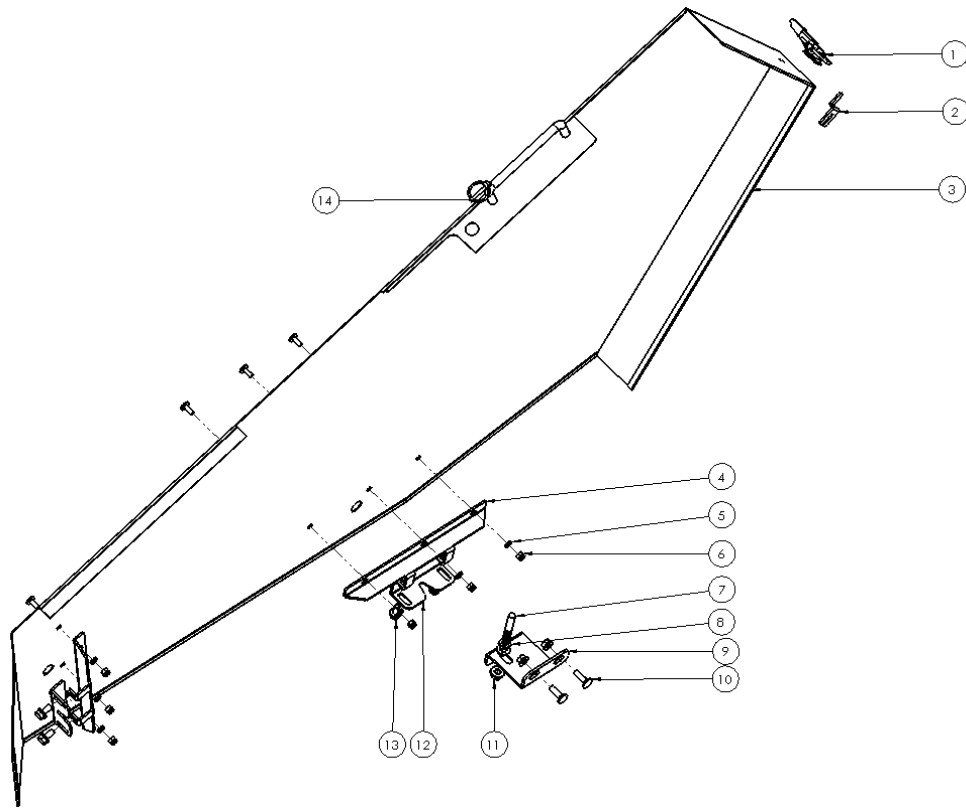
Pos.	Bezeichnung	Description	Artikelnummer/ Part No.	Tech. Info	Menge/ Qty.
1	Flachrundschaube	Screw	21M7577	M6x15	1
2	Edelstahlschutz Groß	Stainless Guard Big	5ZN50234	618/620/622/ 625/630	1
	Edelstahlschutz Groß	Stainless Guard Big	5ZN51263	635	1
3	Flachrundschaube	Screw	5ZN70033	M8x20	10
4	Scharnier	Hinge	5ZN16121		2
5	Edelstahlschutz Klein	Stainless Guard Small	5ZN50330		2
6	Gasdruckfeder	Gas Operated Cylinder	5ZN50464		1
7	Schlosswinkel	Latch Angle	5ZN50465		1
8	Scheibe	Washer	5ZN70074	6,4mm	4
9	Stopfmutter	Lock Nut	5ZN70020	M6	4
10	Schloss	Latch	5ZN18240		1
11	Flachrundschaube	Screw	5ZN70146	M8x16	2
12	Sperrzahnmutter	Flange Nut	5ZN70005	M8	1
13	Edelstahl-Schutzhaube links groß incl. Schlosswinkel	Shield LH Including Latch Assembly	5ZN50230	Pos.1-12 618-630	
	Edelstahl-Schutzhaube links groß incl. Schlosswinkel	Shield LH Including Latch Assembly	5ZN51262	Pos.1-12 635	

Auflage Edelstahlschutz links/ Bracket for lh Stainless Steel
Shield
Premium Flow 618/620/622/625/630/635



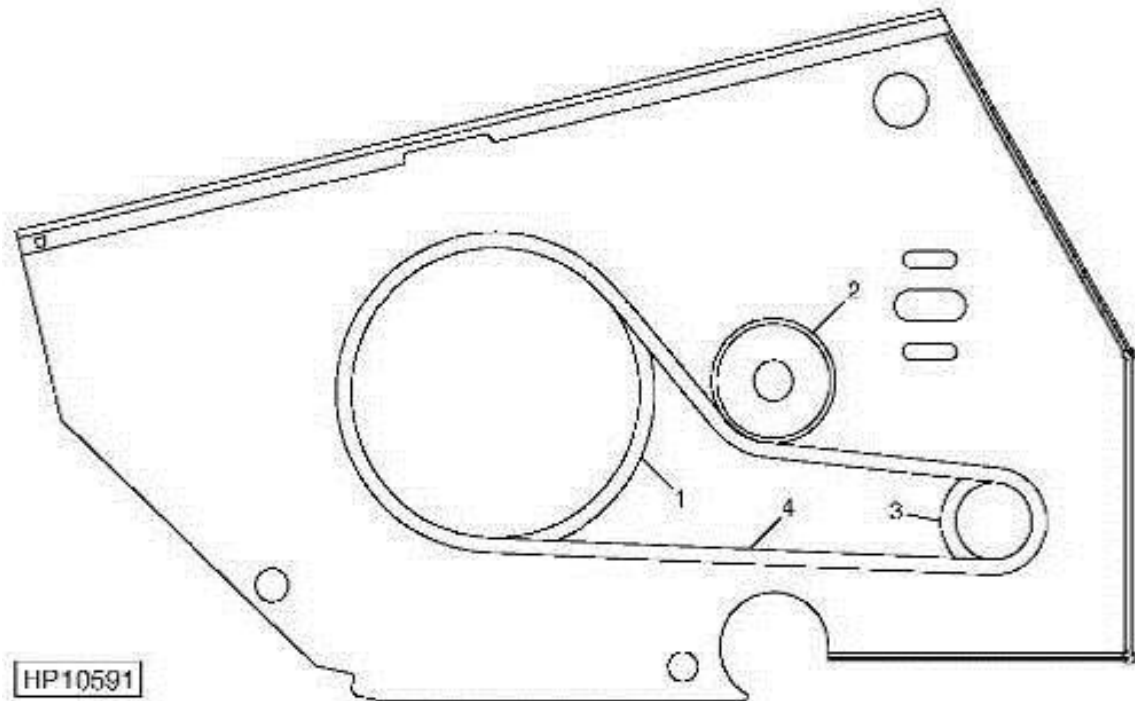
Pos.	Bezeichnung	Description	Artikelnummer/ Part No.	Tech. Info	Menge/ Qty.
1	Mutter	Nut	5ZN70015	M10	1
2	Scheibe	Washer	5ZN70338	10,5mm	1
3	Niedrige Mutter	Small Nut	5ZN70007	M10	1
4	Halter Edelstahlschutz Vorne	Holder Stainless Guard	5ZN51116	618/620/622/ 625/630	1
	Halter Edelstahlschutz Vorne	Holder Stainless Guard	5ZN51577	635	1
5	Sperrzahnschraube	Flange Nut	5ZN70044	M8x20	2
6	Stiftschraube	Stub	5ZN16125	M10x60	1

Schutz Hinten Rechts / Back Guard Right Premium Flow 618/620/622/625/630/635



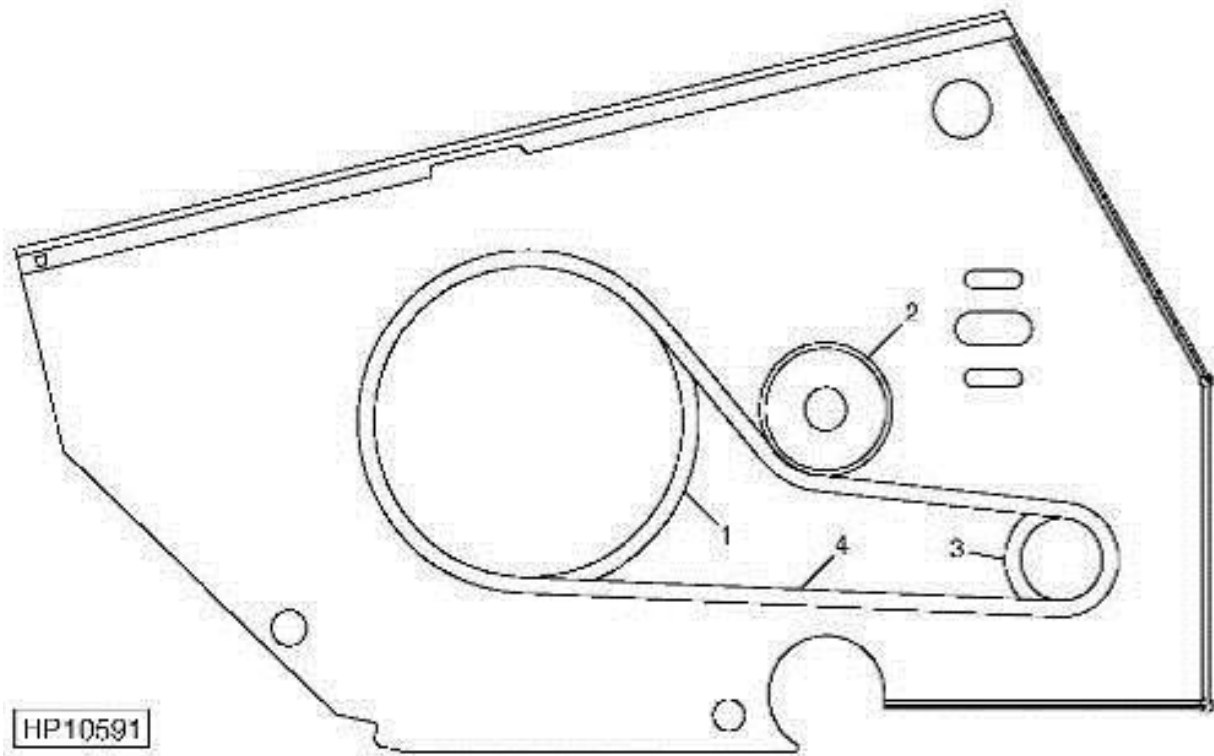
Pos.	Bezeichnung	Description	Artikelnummer/ Part No.	Tech. Info	Menge/ Qty.
1	Schnappverschluss	Fastener	5ZN50387		1
2	Haken	Hook Fastener	5ZN50375		1
3	Schutz rechts Hinten	Shield Right	5ZN50386	618/620/622/ 625/630	1
	Schutz rechts Hinten	Shield Right	5ZN51471	635	1
4	Schlosswinkel	Latch Support	5ZN16156		1
5	Scheibe	Washer	5ZN70074	6,4mm	6
6	Stopfmutter	Nut	5ZN70020	M6	6
7	Stiftschraube	Stub	5ZN16125	M10x60	1
8	Scheibe	Washer	5ZN70338	10,5mm	1
9	Verschlussbolzenhalter	Pin Holder	5ZN51598	635	1
	Türbolzenhalter	Bracket	5ZN50373	618/620/622/625/630	
10	Schlossschraube	Carriage Bolt	5ZN70119	M8x25	8
11	Flanschmutter	Flange Nut	5ZN70006	M10	1
12	Verriegelung	Latch	5ZN18240		1
13	Sperrzahnschraube	Latch Screw	5ZN70043	M8x16	1
14	Klappstecker	Linch Pin	5ZN25021	D=4,5	1
1-14	Seitenschutz rechts komplett	Guard, Side RH Assembly	5ZN50385		1

Einzugsschneckenkette 60H / Auger Chain 60H Premium Flow 618/620/622



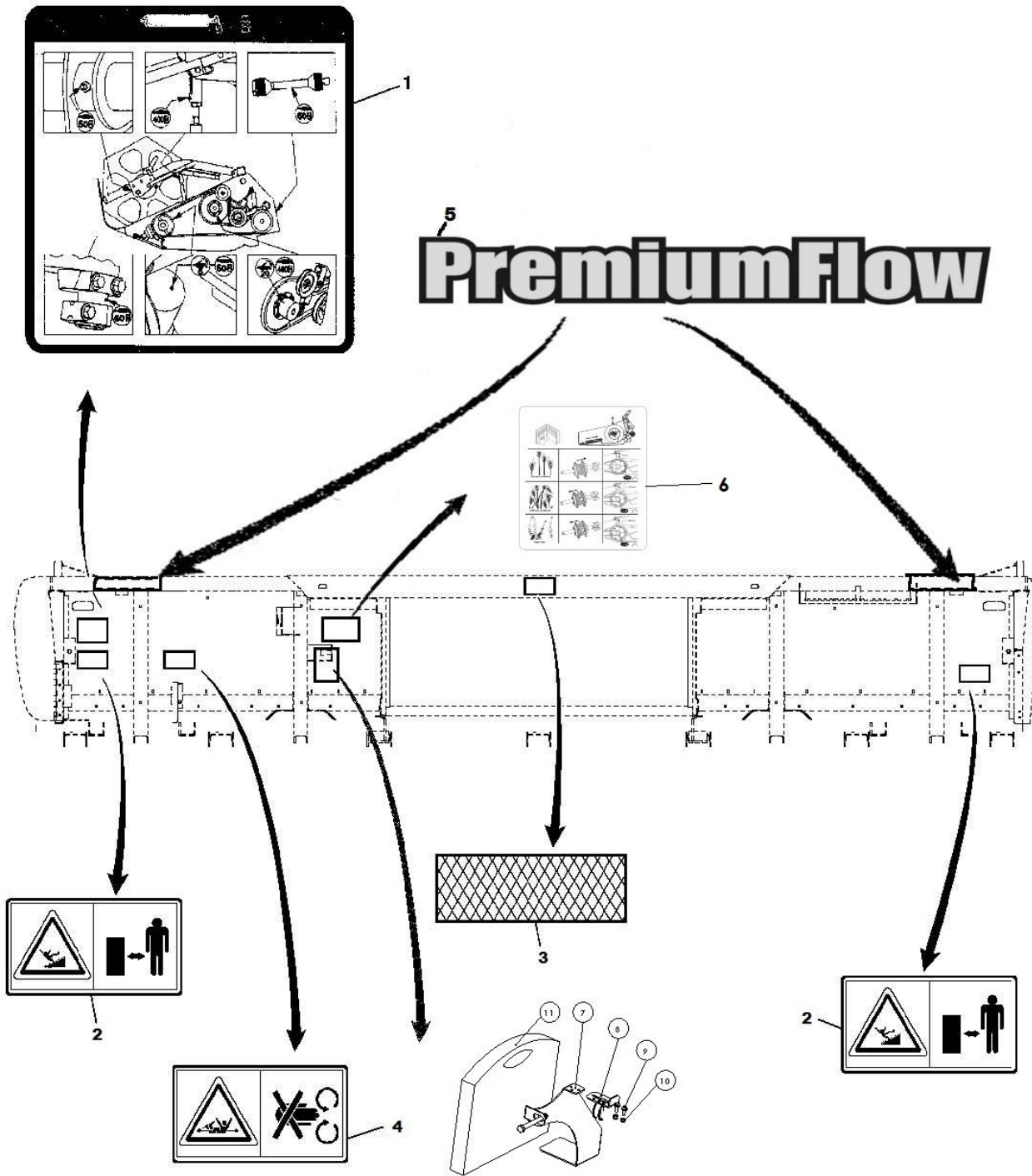
Pos.	Bezeichnung	Description	Artikelnummer/ Part No.	Tech. Info	Menge/ Qty.
1	Kettenrad	Chain Sprocket	5ZN51036	Z=58	1
2	Kettenrad	Chain Sprocket	AH206131		1
3	Kettenrad	Chain Sprocket	AH168647	Z=15	1
4	Kette 60H	Chain 60H	AH221003	AH162957	1
	VerbindungsKit	Link Kit	AZ102617		1
	Kettenschloss	Joining Link	5ZN50354		1
5	Ketten Kit 60H	Chain Kit		Pos. 1-4	1

Einzugsschneckenkette 80H / Auger Chain 80H Premium Flow 625/630/635



Pos.	Bezeichnung	Description	Artikelnummer/ Part No.	Tech. Info	Menge/ Qty.
1	Kettenrad	Chain Sprocket	5ZN51125	Z=44	1
	Kettenrad	Chain Sprocket	5ZN52052	Z=40 35Ft ab SN 20691 25/30Ft ab SN 20801	1
2	Kettenrad	Chain Sprocket	AXE11317		1
3	Kettenrad	Chain Sprocket	AH220303	Z=13	1
4	Kette 80H	Chain 80H	5ZN51300	AH215201	1
	Kette inkl. Kettenschloss und Halbem Verbindungsglied	Chain Kit Incl. Joining Link And Half Link	5ZN51347	35Ft bis SN 20690 25/30Ft bis SN 20800	1
	Kette inkl. Kettenschloss und Halbem Verbindungsglied	Chain Kit Incl. Joining Link And Half Link	5ZN52717	35Ft ab SN 20691 25/30Ft ab SN 20801	1
	Kettenschloss	Joining Link	5ZN51301		1
	Halbes Verbindungsglied	Half Link	5ZN51302		1

Hintere Aufkleber /Rear Decals Premium Flow 618/620/622/625/630/635

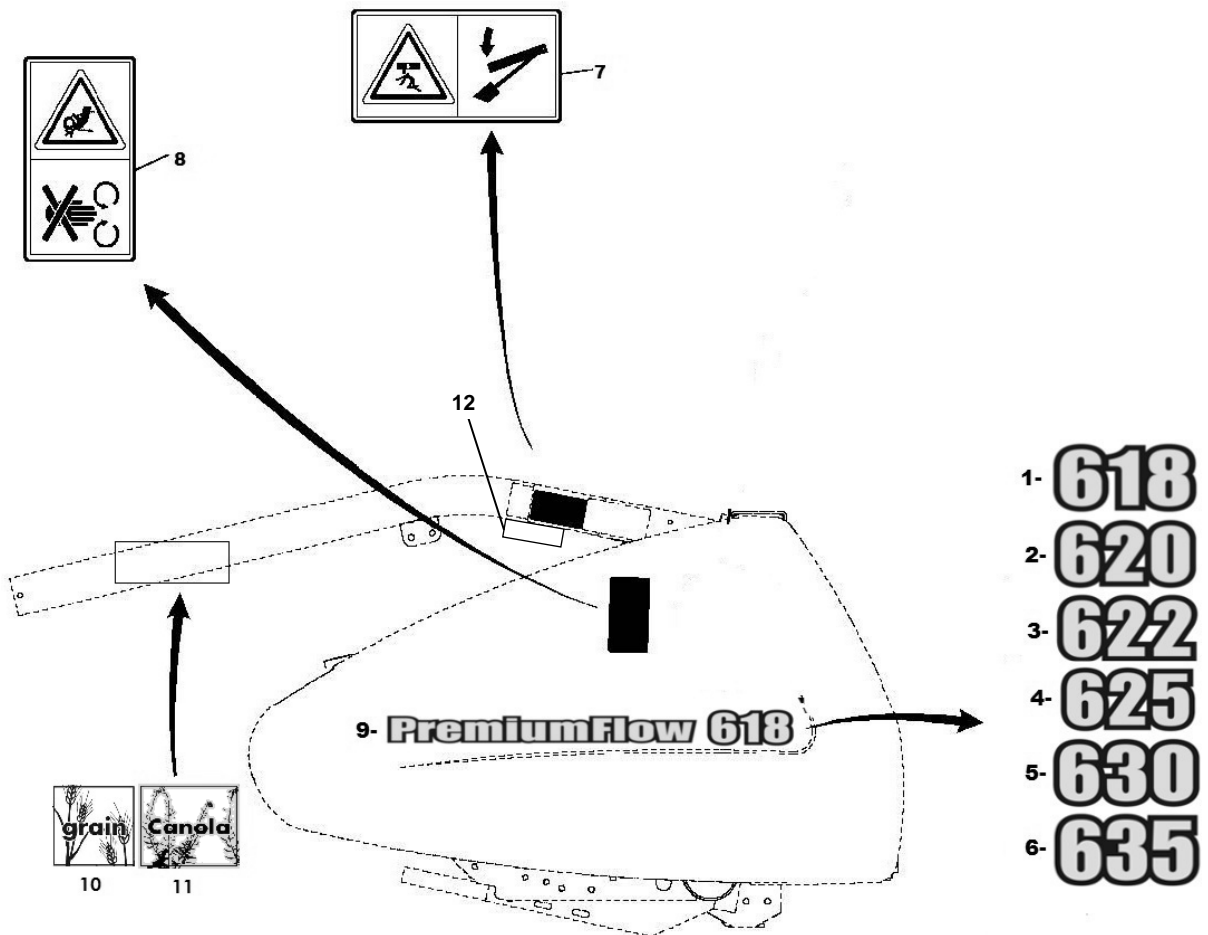


ZX033860

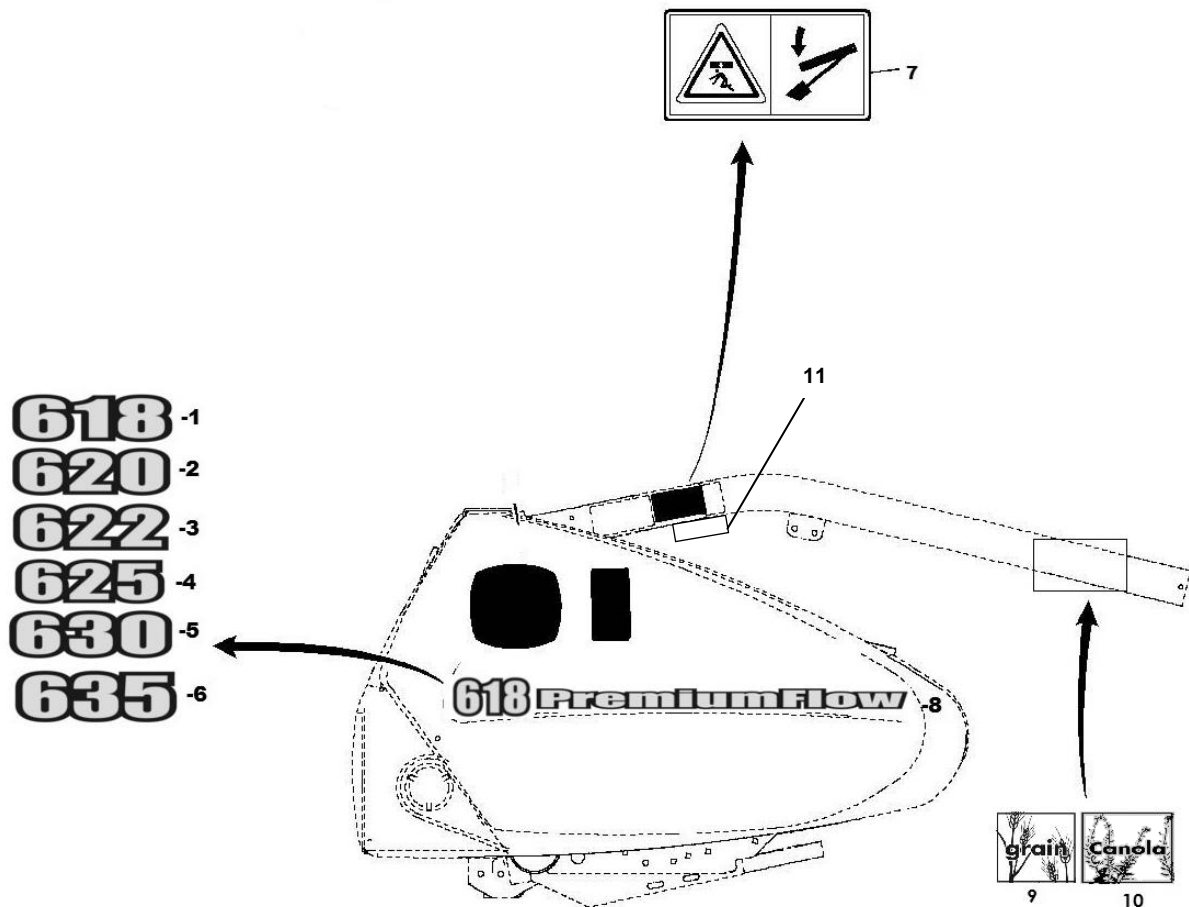
Hintere Aufkleber /Rear Decals
Premium Flow 618/620/622/625/630/635

Pos.	Bezeichnung	Description	Artikelnummer/ Part No.	Tech. Info	Menge/ Qty.
1	Aufkleber	Label	H202435		1
2	Aufkleber	Label	Z60640		2
3	Aufkleber	Label	Z42149		1
4	Aufkleber	Label	Z60639		1
5	Aufkleber Premium Flow	Decal Premium Flow	5ZN51694	small	2
6	Aufkleber Doppelte Bandgeschwindigkeit	Decal	5ZN51967		1
7	Haltebügel	Holder	5ZN51961		1
8	Schubriegel	Lock Bolt	5ZN51963		1
9	Schraube	Screw	5ZN70041	M6x16	2
10	Mutter	Nut	5ZN70020	M6	2
11	Kiste Zahnrad/ Kettenrad	Box Chain Sprocket/ Sprocket	5ZN51960		1

Aufkleber Linke Seite/ Decals lh side
Premium Flow 618/620/622/625/630/635



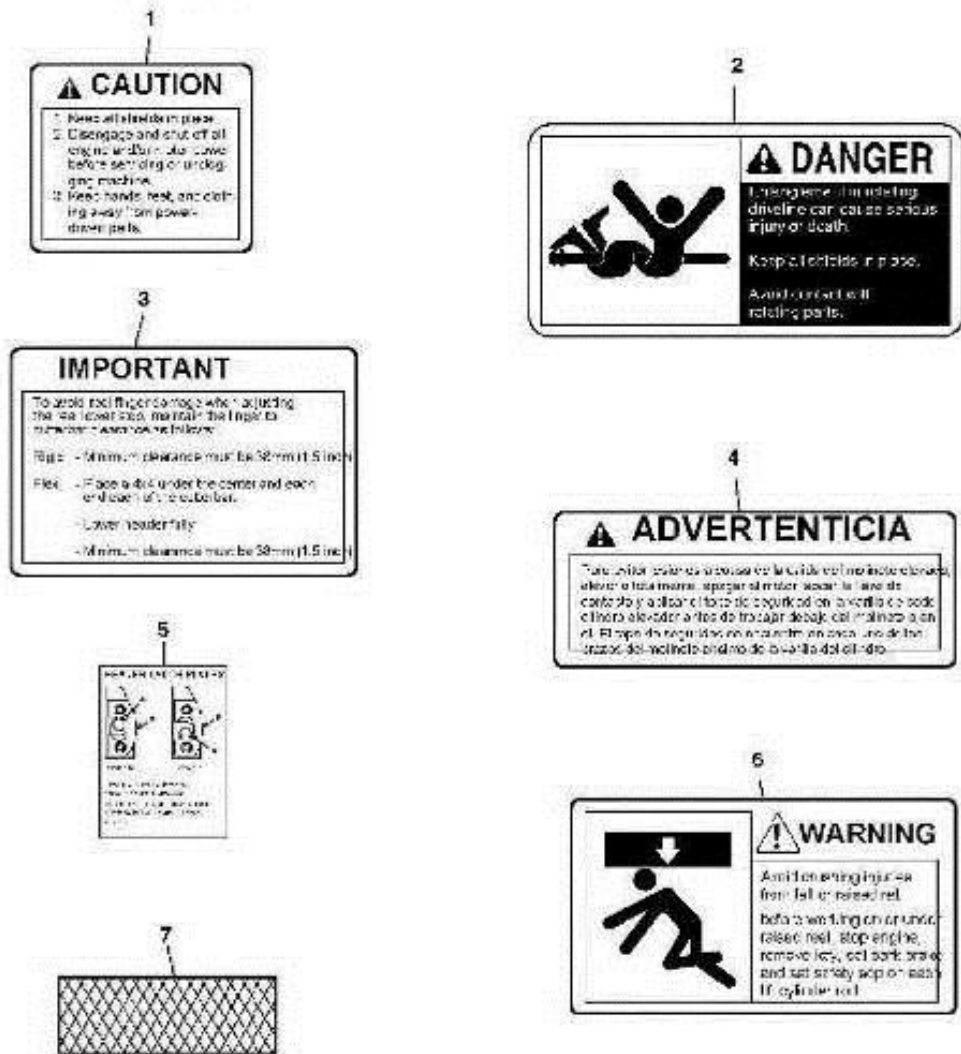
Aufkleber Rechte Seite/ Decals rh side Premium Flow 618/620/622/625/630/635



Pos.	Bezeichnung	Description	Artikelnummer/ Part No.	Tech. Info	Menge/ Qty.
1	Aufkleber PF-18Ft	Decal PF-18Ft	5ZN51695	MY2013-	1
2	Aufkleber PF-20Ft	Decal PF-20Ft	5ZN51696	MY2013-	1
3	Aufkleber PF-22Ft	Decal PF-22Ft	5ZN51697	MY2013-	1
4	Aufkleber PF-25Ft	Decal PF-25Ft	5ZN51698	MY2013-	1
5	Aufkleber PF-30Ft	Decal PF-30Ft	5ZN51699	MY2013-	1
6	Aufkleber PF-35Ft	Decal PF-35Ft	5ZN51700	MY2013-	1
7	Aufkleber	Label	H151671		1
8	Aufkleber	Label	Z60325		1
9	Aufkleber Premium Flow	Decal Premium Flow	5ZN51693	big	1
10	Aufkleber Haspelrollwagen Raps	Decal Rape Seed	5ZN51689		1
11	Aufkleber Haspelrollwagen Getreide	Decal Cereal	5ZN51690		1
12	Warnmarkierung	Red Label	HXE78039		2

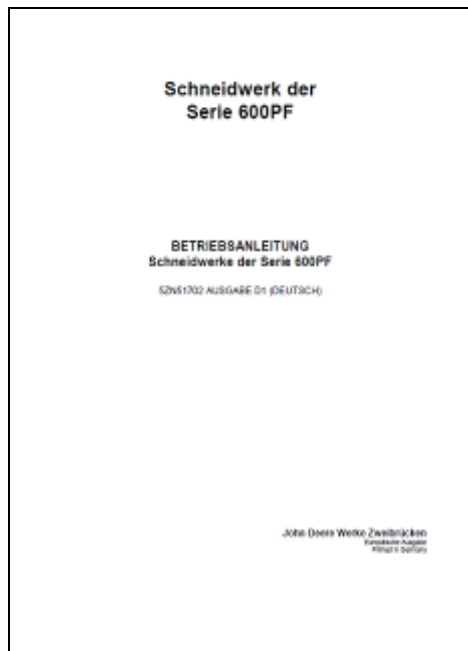
Pos.	Bezeichnung	Description	Artikelnummer/ Part No.	Tech. Info	Menge/ Qty.
1	Aufkleber PF-18Ft	Decal PF-18Ft	5ZN51695	MY2013-	1
2	Aufkleber PF-20Ft	Decal PF-20Ft	5ZN51696	MY2013-	1
3	Aufkleber PF-22Ft	Decal PF-22Ft	5ZN51697	MY2013-	1
4	Aufkleber PF-25Ft	Decal PF-25Ft	5ZN51698	MY2013-	1
5	Aufkleber PF-30Ft	Decal PF-30Ft	5ZN51699	MY2013-	1
6	Aufkleber PF-35Ft	Decal PF-35Ft	5ZN51700	MY2013-	1
7	Aufkleber	Label	H151671		1
8	Aufkleber Premium Flow	Decal Premium Flow	5ZN51693	big	1
9	Aufkleber Haspelrollwagen Raps	Decal Rape Seed	5ZN51689		1
10	Aufkleber Haspelrollwagen Getreide	Decal Cereal	5ZN51690		1
11	Warnmarkierung		HXE78039		2

Sicherheitsaufkleber/ Safety Decals Premium Flow 618/620/622/625/630/635



Pos.	Bezeichnung	Description	Artikelnummer/ Part No.	Tech. Info	Menge/ Qty.
1	Aufkleber	Label	E82510		1
2	Sicherheitszeichen	Safety Sign	E82514		1
3	Aufkleber	Label	H145147		1
4	Zeichen	Sign	H159341		1
5	Aufkleber	Label	H136751		1
6	Sicherheitszeichen	Safety Sign	H170871		1
7	Aufkleber	Label	Z42149		1
	Reflektor	Reflector	JD5920		1
	Reflektor	Reflector	JD5921		1
	Reflektor	Reflector	JD5922		1

Bedienungsanleitungen/Manual und Ersatzteilliste/Parts Catalogue



Pos.	Bezeichnung	Description	Artikelnummer/ No.	Menge/ Qty.
1	Betriebsanleitung Deutsch	Operators Manual German	5ZN51702	1
2	Betriebsanleitung Englisch	Operators Manual English	5ZN51703	1
3	Betriebsanleitung Französisch	Operators Manual French	5ZN51704	1
4	Betriebsanleitung Estnisch	Operators Manual Estonian	5ZN51891	1
5	Betriebsanleitung Dänisch	Operators Manual Danish	5ZN51892	1
6	Betriebsanleitung Litauisch	Operators Manual Lithuanian	5ZN51893	1
7	Betriebsanleitung Lettisch	Operators Manual Latvian	5ZN51894	1
8	Betriebsanleitung Ungarisch	Operators Manual Hungarian	5ZN51895	1
9	Betriebsanleitung Polnisch	Operators Manual Polish	5ZN51896	1
10	Betriebsanleitung Russisch	Operators Manual Russian	5ZN51897	1
11	Betriebsanleitung Schwedisch	Operators Manual Swedish	5ZN51898	1
12	Betriebsanleitung Rumänisch	Operators Manual Romanian	5ZN51899	1
13	Betriebsanleitung Bulgarisch	Operators Manual Bulgarian	5ZN51935	1
14	Ersatzteilkatalog Deutsch/ Englisch	Preliminary Parts Catalog German/ English	5ZN51900	1

