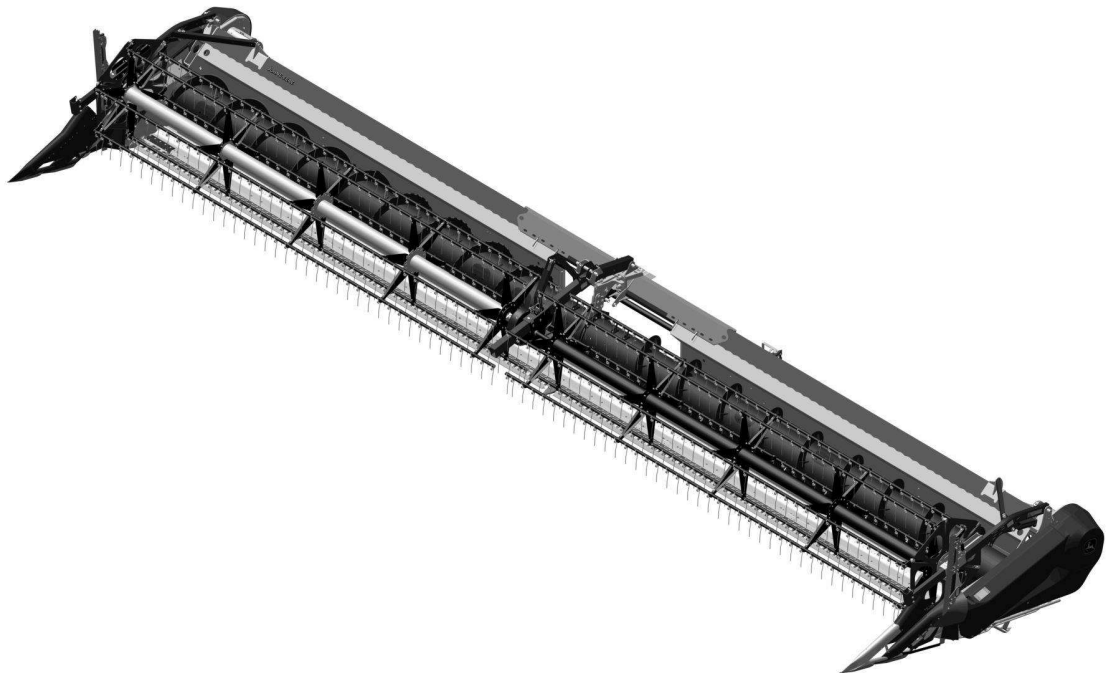


ERSATZTEILKATALOG

735 Premium Flow - 10,70 m

Artikelnummer: 55808



Impressum

2. Auflage 2023 (Version A)

Redaktionsdatum 06/2023 © Zürn Harvesting GmbH & Co. KG

Alle Rechte, auch die Übersetzung, vorbehalten.

Kein Teil dieser Ersatzteilliste darf in irgendeiner Form (Druck Fotokopie oder einem anderen Verfahren) ohne schriftliche Zustimmung der Firma Zürn Harvesting GmbH & Co. KG, Schöntal reproduziert oder unter Verwendung elektronischer Systeme verarbeitet, vervielfältigt oder verbreitet werden.

Technische Änderungen vorbehalten.

Gedruckt auf Papier aus chlorfrei und säurefrei gebleichtem Zellstoff.

Masthead

2nd edition 2023 (version A)

Editorial date 06/2023 © Zürn Harvesting GmbH & Co. KG

All rights reserved, also applies to the translation.

No part of this spare-parts list must be reproduced in any form (print, photocopy or any other process) or processed, duplicated or distributed using electronic systems without the written permission of the Zürn Harvesting GmbH & Co. KG, Schöntal.

We reserve the right to make technical amendments.

Printed on paper made from chlorine-free and acid-free bleached pulp.

Inhaltsverzeichnis

Vorwort	5
Typenschild	6
Drehmomenttabelle	7
Main Frame Mounting Elements	9
Side Wall, LH	11
Side Wall, RH	12
Cutterbar Head Section, LH	13
Cutterbar Head Section, RH	14
Cutterbar Head Section Kit	15
Pickup Reel, Plastic Tine	16
Reel Arm, RH	18
Reel Arm, LH	19
Reel Eccentric Spider, LH	21
Reel Eccentric Spider, RH	22
Saddle Bracket, Reel, LH	23
Reel Drive Mountings and Gears, RH	24
Knife, LH	25
Knife, RH	26
Crop Lifter	27
Knife Drive, LH	28
Knife Drive Shaft, LH	30
Knife Drive Shaft, LH	32
Cutterbar Drive, LH	34
Cutterbar Drive, LH	36
Knife Drive, RH	38
Knife Drive Shaft, RH	40
Top Shaft	42
Auger Mount, LH	43
Auger Mount, RH	45
Auger Mount, Center	47
Auger Fingers	49
Auger Flights and Fingers	50
Auger, LH	51
Auger, LH	52
Auger, RH	53
Auger, RH	54
Bearings and Chain Tensioner for Auger Drive, Standard	55
Strippers and Supports, Frame	56
Strippers Feeder House Extension for S Series	57
Strippers Feeder House Extension for 6 Walker	58
Attachment, Foldable Crop Divider, Short, LH	59
Foldable Crop Divider, Short, LH	60

Attachment, Foldable Crop Divider, Short, RH	62
Foldable Crop Divider, Short, RH	63
Crop Divider Extension, Attachment	65
Cover, Upper Shaft Shields	66
End Shield and Mounting, LH	67
End Shield and Mounting, LH	69
End Shield and Mounting, RH	70
End Shield and Mounting, RH	72
Skid Plates	73
Front Building	74
Belt Conveyor Covers and Strippers	75
Belt Conveyor Kit	76
Belt Body Mounting Unit	77
Belt Body Mounting Tool	78
Attachment, Rear Flood Lamps	79
Rear Flood Lamp, RH	80
Rear Flood Lamp, LH	81
Backshaft and Universal Drive Shaft	82
Universal Drive Shaft	83
Attachment, Tool Box	85
Tool Box	86
Reel Fore and Aft Sensors and Mounting, RH	87
Reel Height Sensor, RH	88
Side Knife, LH	89
Clutch, Side Knife, LH	92
Crop Side Knife Divider, Attachment	93
Side Knife, RH	94
Clutch, Side Knife, RH	96
Auto Header Height Control Sensors	97
Hydraulic Auger Lift	99
Hydraulic Valve, Hoses and Reel Lift Slave Cylinder, LH	100
Hydraulic Valve, Hoses and Reel Lift Slave Cylinder, LH	104
Hydraulic Valve, Hoses and Reel Lift Slave Cylinder, LH (North America Only)	106
Hydraulic Valve, Hoses and Reel Lift Slave Cylinders	108
Hydraulic Valve, Hoses and Reel Lift Slave Cylinders	112
Hydraulic Valve, Hoses and Reel Lift Slave Cylinders	116
Hydraulic Valve, Hoses and Reel Lift Slave Cylinders	120
Hydraulic Valve, Hoses and Reel Lift Slave Cylinders (North America Only)	124
Main Wiring Harness (1 of 2)	128
Main Wiring Harness (2 of 2)	129
Main Wiring Harness, (For North America)	130
Transport Warning Lights (For North America)	131

Inhaltsverzeichnis

Decals	132
Decals	133
Decals	134
Decals (For North America)	135
Feeder House Deflector for 5 Walker, W/T Series, W/ Lateral Tilt	136
Feeder House Deflector for 5 Walker, HillMaster™	137
Feeder House Deflector for S Series	138
Feeder House Deflector for 6 Walker, W/T Series	139

Foreword

This machine is designed only for the usual application in agricultural work or similar activities. Any other use beyond this is deemed improper use of the machine. The manufacturer accepts no liability whatsoever for damage resulting from improper use; the risk will be borne solely by the user. Proper use also includes complying with the operation, maintenance and service conditions specified by the manufacturer.

Read the operating manual thoroughly to familiarise yourself with the correct operation and maintenance of the machine and to prevent injuries or damage to the machine. Not doing so can result in injuries or machine damage. This operating manual and the safety labels on the machine may also be available in other languages: please enquire at your dealership.

This operating manual is part of the machine and should be handed over to the purchaser if the machine is re-sold.

Dimensions specified in this operating manual are metric. Use only appropriate parts and bolts. Different spanners are required for metric bolts and bolts with imperial (inch) dimensions.

The designations "left" and "right" are with reference to the forward direction of the machine.

Enter the serial number in the first section of the operating manual. Please record all numbers accurately. In case of theft, these numbers can be important for tracing the machine. Your dealer also needs these numbers when you order spare parts. It is a good idea to keep a second record of these numbers in another location.

Your dealer has carried out an inspection of the machine prior to delivery. A further inspection should be carried out by your dealer after the first 20 to 50 hours of operation in order to ensure the best possible performance for the machine.

This machine must only be used, serviced and repaired by persons who are familiar with it and who have been briefed about its hazards. The relevant accident prevention regulations and other generally recognized rules and laws for safety, occupational health and road traffic must also be observed. Unauthorized changes to this trailer release the manufacturer from liability for any resulting damage.

Typenschild

ZÜRN HARVESTING	
Typ	<input type="text"/>
Variante	<input type="text"/>
Bezeichnung	<input type="text"/>
Serien-Nr.	<input type="text"/>
Baujahr	<input type="text"/>
Leergewicht	<input type="text"/> kg
zul. Gesamtgew.	<input type="text"/> kg
zul. Achslast vo	<input type="text"/> kg
zul. Achslast hi	<input type="text"/> kg
Stützlast	<input type="text"/> kg

Zürn Harvesting GmbH & Co. KG
 Kapellenstr. 1
 D-74214 Schöntal-Westernhausen
 Tel. +49 7943/9105-0

 Made in Germany
 www.zuern.de

Bitte notieren Sie in der nachfolgenden Tabelle die Typenbezeichnung und die Seriennummer Ihrer Maschine, die Sie auf dem Typenschild finden. Das Typenschild ist auf der Rückwand rechts neben der Schrägfördereröffnung angebracht.

Diese Informationen sind bei Ersatzteilbestellungen oder Garantiefragen dem autorisierten Vertriebspartner mitzuteilen.

Typenbezeichnung:	<input type="text"/>
Seriennummer:	<input type="text"/>

Rating plate

Please make a note of the type designation and serial number of your machine here. This information must be given to the authorised dealer when ordering spare parts or making guarantee enquiries.

Typenbezeichnung:	<input type="text"/>
Seriennummer:	<input type="text"/>

Drehmomente für metrische Schrauben

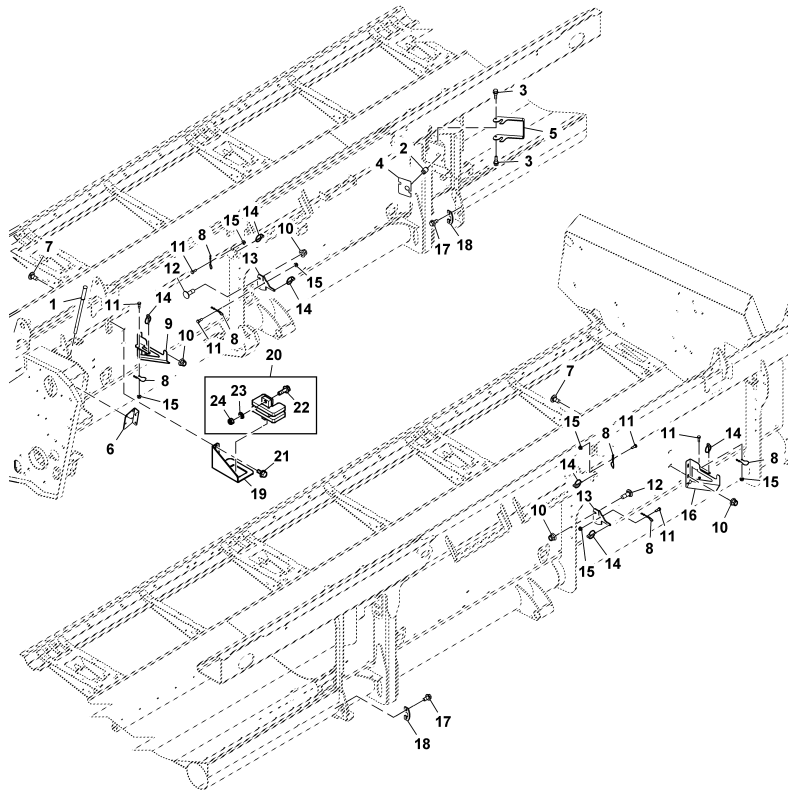
Schrauben	Güteklasse 4.8				Güteklasse 8.8 oder 9.8				Güteklasse 10.9				Güteklasse 12.9			
	Eingeölt		Trocken		Eingeölt		Trocken		Eingeölt		Trocken		Eingeölt		Trocken	
Größe	N•m	lb-in	N•m	lb-in	N•m	lb-in	N•m	lb-in	N•m	lb-in	N•m	lb-in	N•m	lb-in	N•m	lb-in
M6	4,7	42	6	53	8,9	79	11,3	100	13	115	16,5	146	15,5	137	19,5	172
M8	11,5	102	14,5	128	22	194	27,5	243	32	23,5	40	29,5	37	27,5	47	35
M10	23	204	29	21	43	32	55	40	63	46	80	59	75	55	95	70
M12	40	29,5	50	37	75	55	95	70	110	80	140	105	130	95	165	120
M14	63	46	80	59	120	88	150	110	175	130	220	165	205	150	260	190
M16	100	74	125	92	190	140	240	175	275	200	350	255	320	235	400	300
M18	135	100	170	125	265	195	330	245	375	275	475	350	440	325	560	410
M20	190	140	245	180	375	275	475	350	530	390	675	500	625	460	790	580
M22	265	195	330	245	510	375	650	480	725	535	920	680	850	625	1080	800
M24	330	245	425	315	650	80	820	600	920	680	1150	850	1080	800	1350	1000
M27	490	360	625	460	950	700	1200	885	1350	1000	1700	1250	1580	1160	2000	1475
M30	660	490	850	625	1290	950	1630	1200	1850	1350	2300	1700	2140	1580	2700	2000
M33	900	665	1150	850	1750	1300	2200	1625	2500	1850	3150	2325	2900	2150	3700	2730
M36	1150	850	1450	1075	2250	1650	2850	2100	3200	2350	4050	3000	3750	2770	4750	3500
<p>Die angegebenen Drehmomente sind Richtwerte. Diese Werte NICHT verwenden, wenn ein anderes Drehmoment oder ein anderes Befestigungsverfahren für eine bestimmte Anwendung angegeben ist. Für Schrauben und Muttern aus Edelstahl oder für Muttern an Bügelschrauben siehe spezifische Anweisungen. Kontermuttern mit Plastikeinsatz oder gebördelte Stahl-Kontermutter mit dem in der Tabelle angegebenen entsprechenden Drehmomente für trockene Schrauben und Muttern anziehen, sofern nicht andere Anweisungen gegeben werden.</p>								<p>Scherbolzen sind so ausgelegt, dass sie bei einer bestimmten Belastung abgesichert werden. Beim Austausch von Scherbolzen nur Bolzen gleicher Güte verwenden. Beim Austausch von Schrauben und Muttern darauf achten, dass entsprechende Teile gleicher oder höherer Güte verwendet werden. Schrauben und Muttern höherer Güte mit dem gleichen Drehmoment anziehen wie die ursprünglich verwendeten Teile. Sich vergewissern, dass die Gewinde sauber und Die Schrauben richtig eingesetzt sind. Wenn möglich, normale und verzinkte Schrauben und Muttern (mit Ausnahme von Kontermuttern, Radschrauben oder -mutter) einölen, wenn nicht bei der spezifischen Anwendung andere Anweisungen gegeben werden.</p>								
<p>„Eingeölt“ bedeutet, dass die Schrauben mit einem Schmiermittel wie z. B. Motoröl versehen werden, oder dass phosphatierte oder geölte Schrauben bzw. Schrauben mit Zinkbeschichtung nach JDM F13C mit einer Größe am M20 verwendet werden.</p>																
<p>„Trocken“ bedeutet, dass normale oder verzinkte Schrauben ohne jede Schmierung bzw. Schrauben mit einer Größe zwischen M6 und M18 mit Zinkbeschichtung nach JDM F13B verwendet werden.</p>																

Torques for Metric Bolts

Bolts	Grade 4.8				Grade 8.8 oder 9.8				Grade 10.9				Grade 12.9			
	Oiled		Dry		Oiled		Dry		Oiled		Dry		Oiled		Dry	
Size	N•m	lb-in	N•m	lb-in	N•m	lb-in	N•m	lb-in	N•m	lb-in	N•m	lb-in	N•m	lb-in	N•m	lb-in
M6	4,7	42	6	53	8,9	79	11,3	100	13	115	16,5	146	15,5	137	19,5	172
M8	11,5	102	14,5	128	22	194	27,5	243	32	23,5	40	29,5	37	27,5	47	35
M10	23	204	29	21	43	32	55	40	63	46	80	59	75	55	95	70
M12	40	29,5	50	37	75	55	95	70	110	80	140	105	130	95	165	120
M14	63	46	80	59	120	88	150	110	175	130	220	165	205	150	260	190
M16	100	74	125	92	190	140	240	175	275	200	350	255	320	235	400	300
M18	135	100	170	125	265	195	330	245	375	275	475	350	440	325	560	410
M20	190	140	245	180	375	275	475	350	530	390	675	500	625	460	790	580
M22	265	195	330	245	510	375	650	480	725	535	920	680	850	625	1080	800
M24	330	245	425	315	650	80	820	600	920	680	1150	850	1080	800	1350	1000
M27	490	360	625	460	950	700	1200	885	1350	1000	1700	1250	1580	1160	2000	1475
M30	660	490	850	625	1290	950	1630	1200	1850	1350	2300	1700	2140	1580	2700	2000
M33	900	665	1150	850	1750	1300	2200	1625	2500	1850	3150	2325	2900	2150	3700	2730
M36	1150	850	1450	1075	2250	1650	2850	2100	3200	2350	4050	3000	3750	2770	4750	3500
<p>The tightening torques given are guideline values. Do NOT use these values if a different torque or another securing method is specified for a specific application. For stainless steel bolts and nuts for stirrup bolts, see specific instructions. Tighten locking nuts with plastic insert or edge-raised steel locking nuts to the corresponding torque for dry bolts and nuts given in the table unless otherwise instructed.</p>								<p>Shear pins are designed to break at a certain load. When replacing shear pins, use only pins of the same grade. When replacing bolts and nuts, make sure that equivalent parts of the same or a higher grade are used. Tighten higher-grade nuts and bolts to the same torque as the originally used parts. Make sure that the thread is clean and the bolts correctly fitted. If possible, oil normal and galvanised nuts and bolts (except for locking nuts and wheel studs or nuts) unless specified otherwise for the specific application.</p>								
<p>"Oiled" means that a lubricant, such as engine oil, is applied to the bolts or that phosphatized or oiled bolts with a size from M20 are used.</p>																
<p>"Dry" means the use of normal or galvanised bolts without lubrication or bolts with a size between M6 and M18 that are zinc-coated.</p>																

Main Frame Mounting Elements

XG327557R5

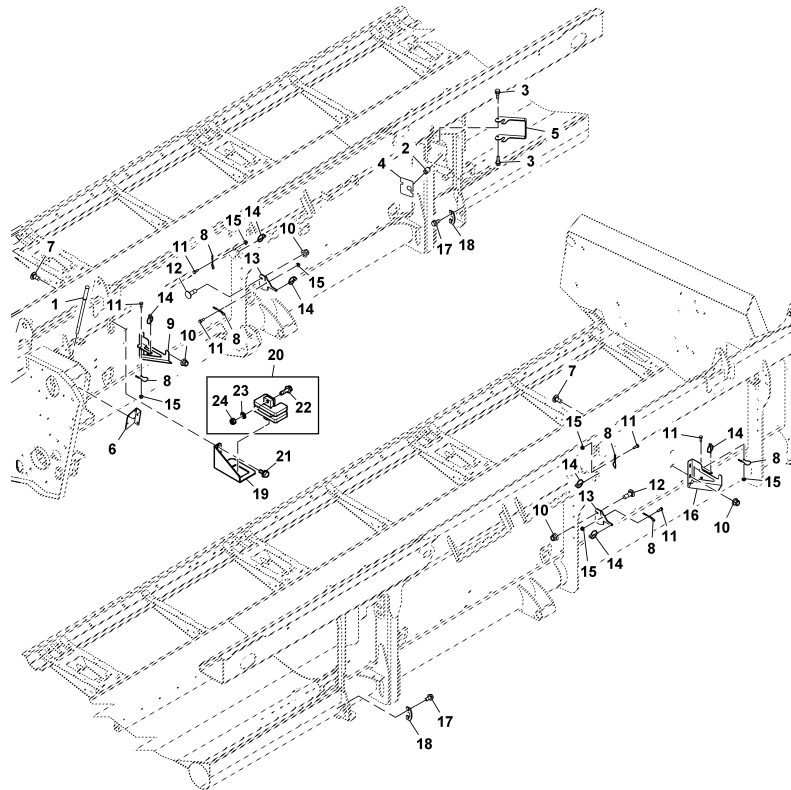


XG327557R5

Pos.	Artikel-Nr.	Benennung	Menge	Serial	No.
1	50380	LEVER, PUMP WITH HANDLE	1		
2	H176288	PLUG-MULTICOUPLER ELECTRICAL	1		
3	H169568	SCREW, SCREW,M8X1.25 THRD 8MM DEEP	2		
4	H201010	PAD-MULTICOUPLER STORAGE BRACKET	1		
5	H202866	HANDLE, SINGLE POINT STORAGE BRACKE	1		
6	54081	BRACKET, PUMP	1		
7	03M7197	BOLT, RD HD SQ SHORT NECK, METRIC	4		
8	H167815	STRAP, LYNCH PIN	6		
9	HXE116690	BRACKET, STORAGE DEVICE DIVIDER AND	1		
10	14M7401	NUT, METRIC, HEX FL, SELF LOCKING	8		
11	19M7560	SCREW, HEX HEAD, METRIC	6		
12	03M7199	BOLT, RD HD SQ SHORT NECK, METRIC	4		
13	HXE102573	BRACKET, STORAGE DEVICE DIVIDER AND	2		
14	M72598	PIN, LYNCH	6		
15	14M7303	NUT, METRIC, HEX FLANGE	6		
16	HXE116691	BRACKET, STORAGE DEVICE DIVIDER AND	1		
17	19M7784	SCREW, FLANGED, METRIC	4		
18	H137143	PLATE-FDR HSE LATCH PIN HOLD-DOWN	2		
19	54753	BRACKET	1		
20	54738	WASHER	1		
21	19M7865	SCREW, FLANGED, METRIC	2		
22	093230	SCREW	1		
23	70109	DIN125 FLAT WASHER 8,4 MM, YELLOW	1		

Main Frame Mounting Elements

XG327557R5

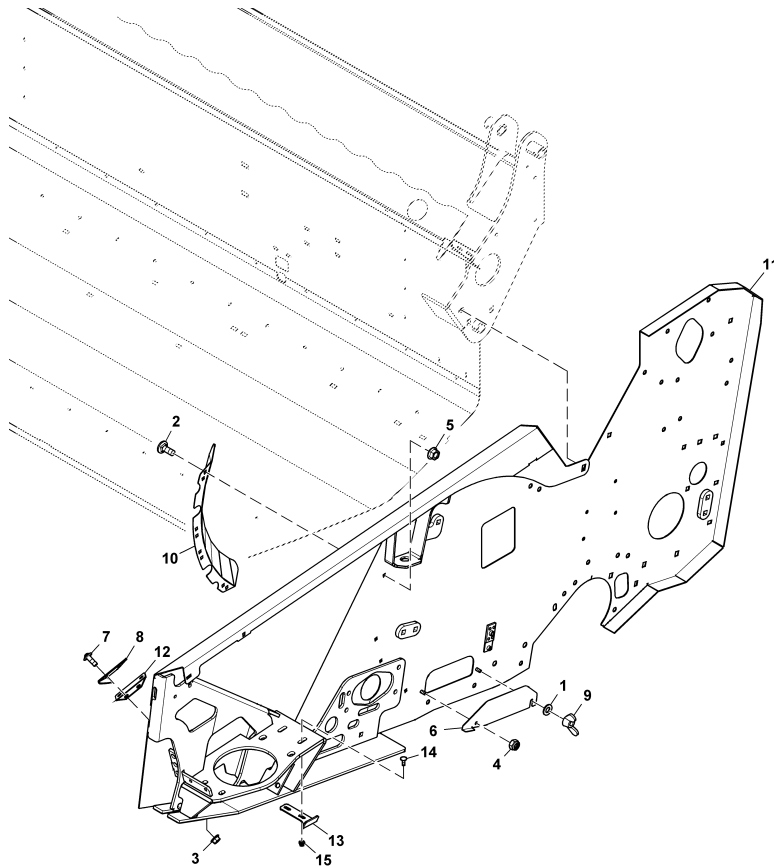


XG327557R5

Pos.	Artikel-Nr.	Benennung	Menge	Serial	No.
24	70103	DIN 985 HEXAGON NUT M8, BLUE	1		

Side Wall, LH

XG327548R1

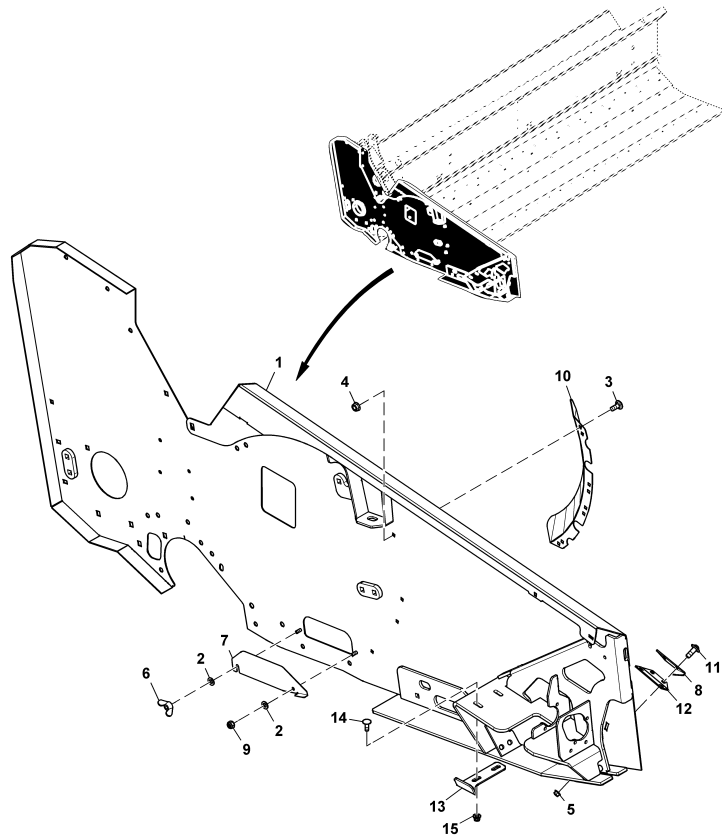


XG327548R1

Pos.	Artikel-Nr.	Benennung	Menge	Serial	No.
1	092182	WASHER DIN125 A8	2		
2	03M7184	BOLT, RD HD SQ SHORT NECK, METRIC	4		
3	14M7397	NUT, METRIC, HEX FL, SELF LOCKING	4		
4	092529	HEXAGON NUT	1		
5	14M7298	NUT, METRIC, HEX FLANGE	4		
6	54398	COVER, CLEANING, RIGHT	1		
7	70029	HALF-ROUND HEAD SCREW WITH HEXAGON	4		
8	53264	GUARD, FINGER	1		
9	091675	WING NUT DIN315 M8	1		
10	53332	SIDE WALL	1		
11	54413	SIDEWALL LEFT	1		
12	54786	GUARD	1		
13	54196	BRACKET , SIDE DOOR, LEFT	1		
14	093289	SCREW	2		
15	14M7400	NUT, METRIC, HEX FL, SELF LOCKING	2		

Side Wall, RH

XG327549R2

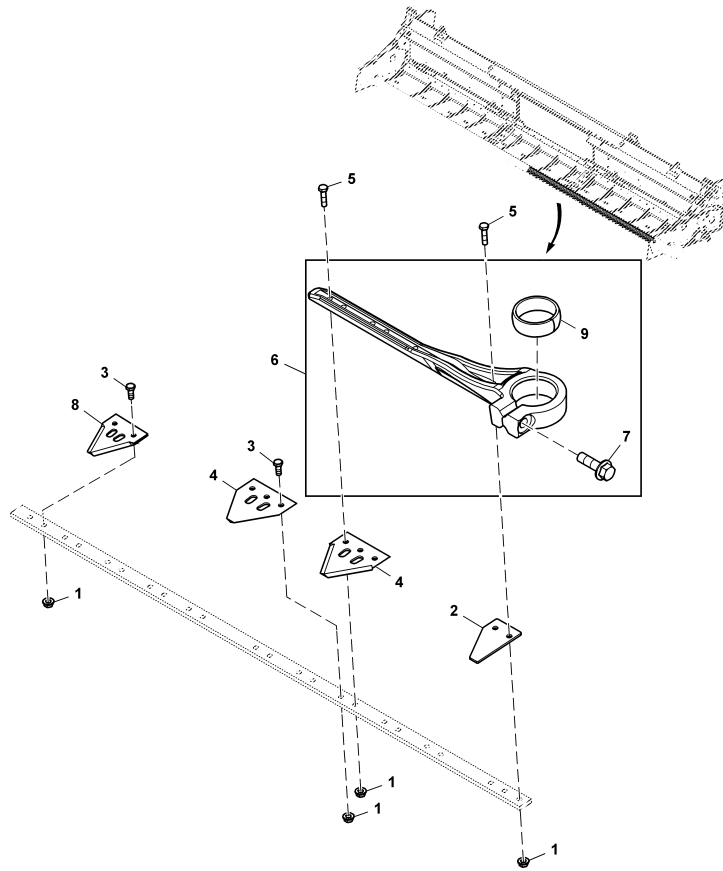


XG327549R2

Pos.	Artikel-Nr.	Benennung	Menge	Serial	No.
1	54544	SIDEWALL RIGHT	1		
2	092182	WASHER DIN125 A8	2		
3	03M7184	BOLT, RD HD SQ SHORT NECK, METRIC	4		
4	14M7298	NUT, METRIC, HEX FLANGE	4		
5	70233	HEXAGONAL NUT WITH FLANGE DIN6923 M	4		
6	091675	WING NUT DIN315 M8	1		
7	54397	COVER, CLEANING, LEFT	1		
8	53265	GUARD, FINGER	1		
9	092529	HEXAGON NUT	1		
10	53332	SIDE WALL	1		
11	70029	HALF-ROUND HEAD SCREW WITH HEXAGON	4		
12	54786	GUARD	1		
13	54200	BRACKET , SIDE DOOR, RIGHT	1		
14	093289	SCREW	2		
15	14M7400	NUT, METRIC, HEX FL, SELF LOCKING	2		

Cutterbar Head Section, LH

XG298900

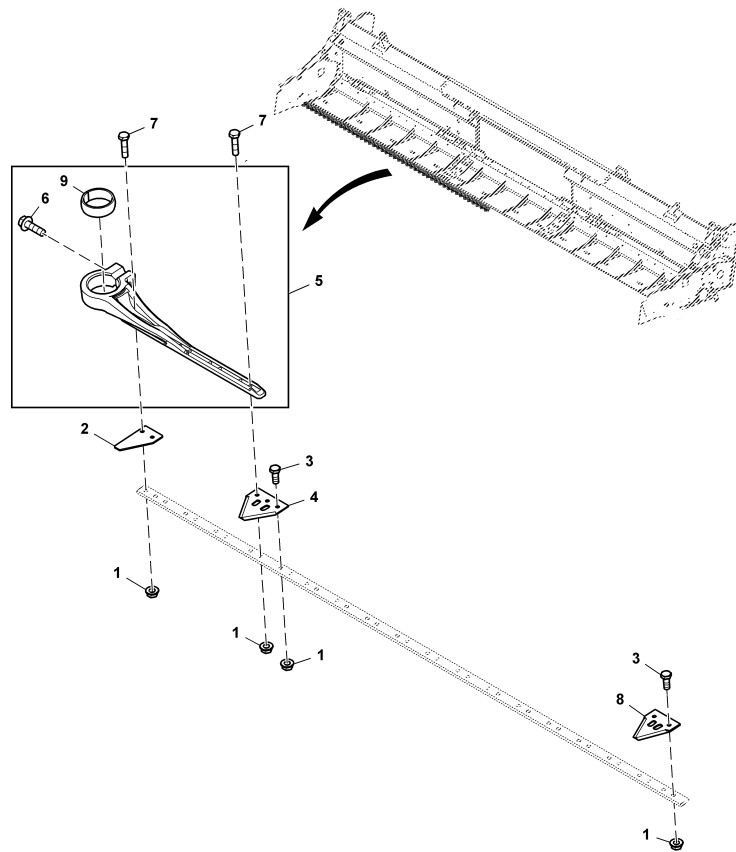


XG298900

Pos.	Artikel-Nr.	Benennung	Menge	Serial	No.
1	14M7303	NUT, METRIC, HEX FLANGE	140		
2	H202522	SECTION, HALF SECTION - EUROPEAN 3	1		
3	H207542	BOLT, M6 X 16	131		
4	Z93078	SECTION, SECTION	68		
5	19M7933	SCREW, HEX HEAD, METRIC	9		
6	AXE37160	KNIFEHEAD, OFFSET, ASSY, WITH BUSHI	1		
7	19M7791	SCREW, FLANGED, METRIC	1		
8	HXE66317	SECTION, SECTION 2.5"	1		
9	H157812	RING, KNIFEHEAD	1		

Cutterbar Head Section, RH

XG298901

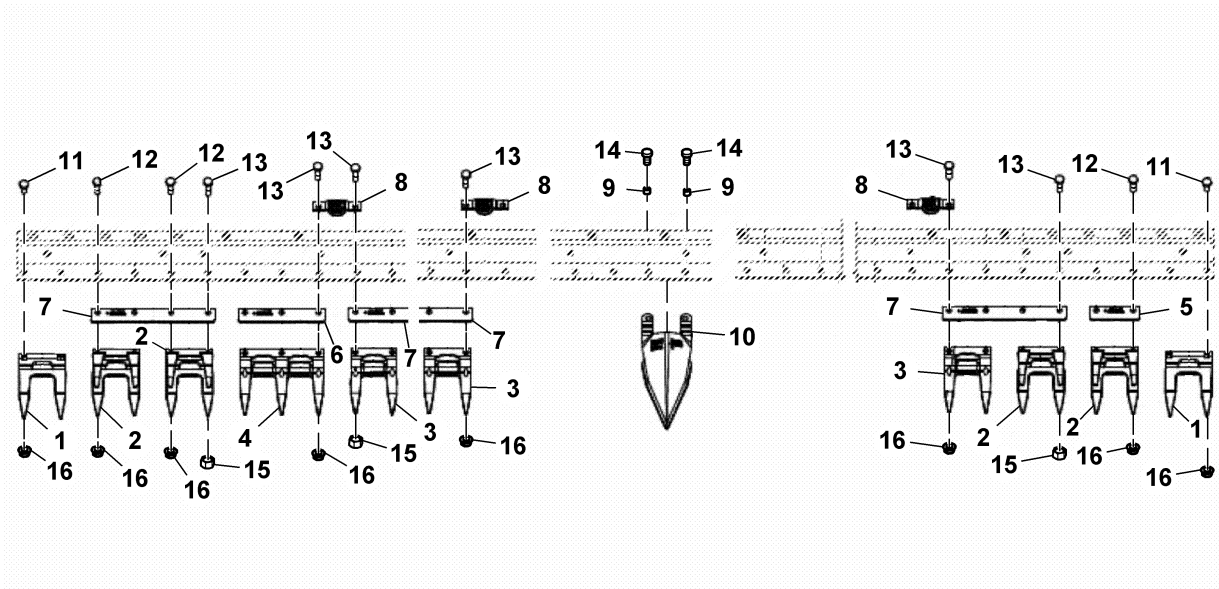


XG298901

Pos.	Artikel-Nr.	Benennung	Menge	Serial	No.
1	14M7303	NUT, METRIC, HEX FLANGE	142		
2	H202522	SECTION, HALF SECTION - EUROPEAN 3	1		
3	H207542	BOLT, M6 X 16	133		
4	Z93078	SECTION, SECTION	69		
5	AXE37160	KNIFEHEAD, OFFSET, ASSY, WITH BUSHI	1		
6	19M7791	SCREW, FLANGED, METRIC	1		
7	19M7933	SCREW, HEX HEAD, METRIC	9		
8	HXE66317	SECTION, SECTION 2.5"	1		
9	H157812	RING, KNIFEHEAD	1		

Cutterbar Head Section Kit

XG304867R1

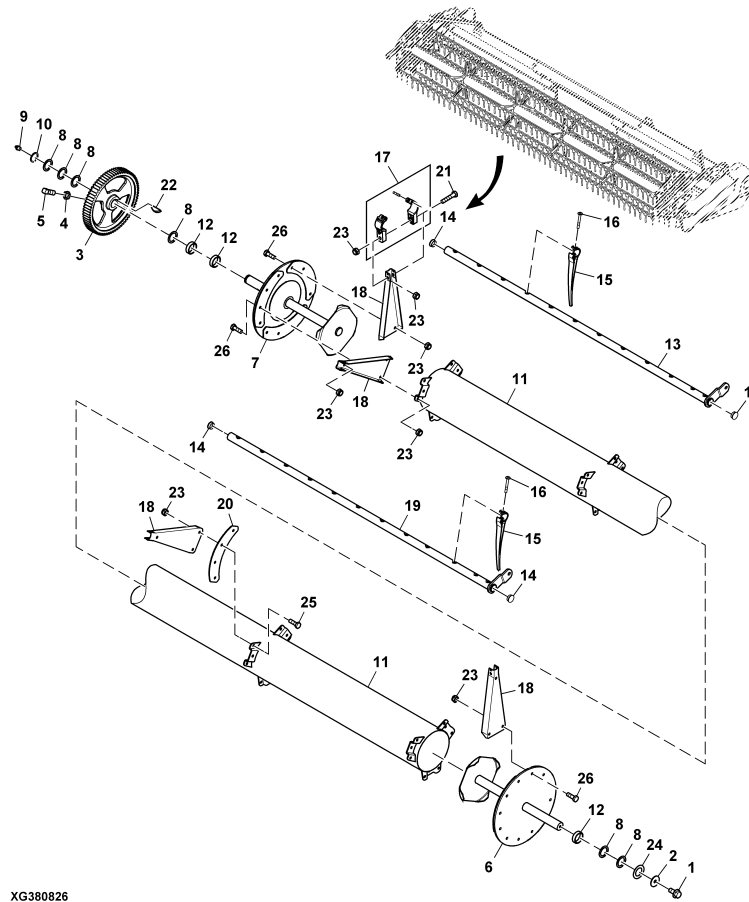


XG304867R1

Pos.	Artikel-Nr.	Benennung	Menge	Serial	No.
1	AH168910	LH OPEN TOP (R2) KNIFE GUARD	2		
2	AXE39009	KNIFE GUARD, HIGH FINGER BACK	4		
3	AXE37174	KNIFE GUARD, DOUBLE GUARD	63		
4	AXE37175	KNIFE GUARD, GUARD ASSY-TRIPLE KNIF	1		
5	53833	SPACER 2-HOLE	1		
6	53834	SPACER 3-HOLE	1		
7	51212	PLATE, GUIDING	33		
8	51215	GUIDE, ROLLER	16		
9	HXE63647	BUSHING, BUSHING- SHOE 40 FEET	2		
10	HXE63668	SHOE, SHOE	1		
11	19M7167	SCREW, HEX HEAD, METRIC	4		
12	19M7382	SCREW, HEX HEAD, METRIC	103		
13	19M7180	SCREW, HEX HEAD, METRIC	34		
14	19M7181	SCREW, HEX HEAD, METRIC	2		
15	Z47492	NUT SPOOL, M10	32		
16	14M7296	NUT, METRIC, HEX FLANGE	109		

Pickup Reel, Plastic Tine

XG380826

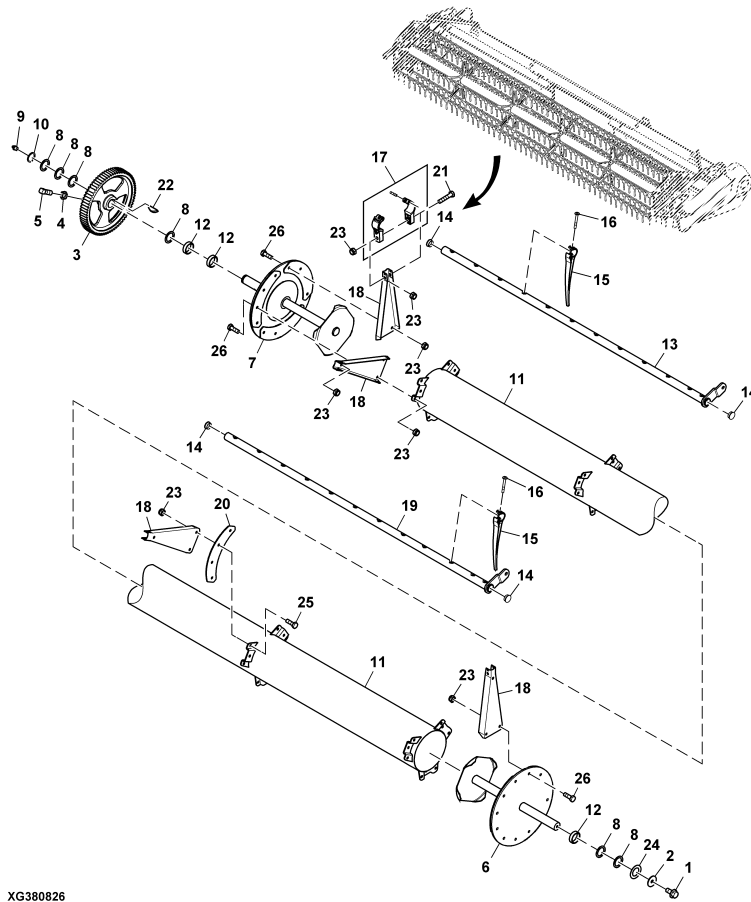


XG380826

Pos.	Artikel-Nr.	Benennung	Menge	Serial	No.
1	19M7788	SCREW, FLANGED, METRIC	1		
2	24H1881	WASHER, METALLIC, ROUND HOLE	1		
3	HXE68781	SPUR GEAR, GEAR - 73 TOTH INBOARD R	1		
4	14M7152	NUT, METRIC, THIN HEX	2		
5	H138435	SET SCREW, SET SCREW, M10 X 25 SQ H	2		
6	AXE36967	DRIVE SHAFT, LH REEL DRIVE SHAFT	1		
7	AXE34083	DRIVE SHAFT, R.H REEL DRIVE SHAFT 6	1		
8	Z39386	WASHER, WASHER	7		
9	JD7759	FITTING,LUBRICATION,STRAIGHT	1		
10	T24160	RING,SNAP	1		
11	AH205993	TUBE, CENTER, ASSY 254 (35X)	1		
12	HXE66249	SPACER, SPACER	3		
13	AXE46658	TUBE, STRUCTURAL TUBING, ASSY, 35F	3		
14	99M7056	PLUG	12		
15	KXE10423	FINGER KIT, REEL FINGER KIT, QTY 10	1		
16	HXE81660	SCREW, SCREW, REEL FINGER 6MM X 50	AR		
17	AXE28803	BEARING, BEARING REEL BAT TUBE	48		
18	H205470	ARM, ARM, REEL SPIDER, 254	48		
19	AXE46657	TUBE, STRUCTURAL TUBING, ASSY, 35F	3		
20	H170323	PLATE, PLATE	18		
21	19M7658	SCREW, HEX HEAD, METRIC	48		
22	26H46	KEY, WOODRUFF	1		
23	14M7167	NUT, METRIC, HEX PREVAILING TORQUE	144		

Pickup Reel, Plastic Tine

XG380826

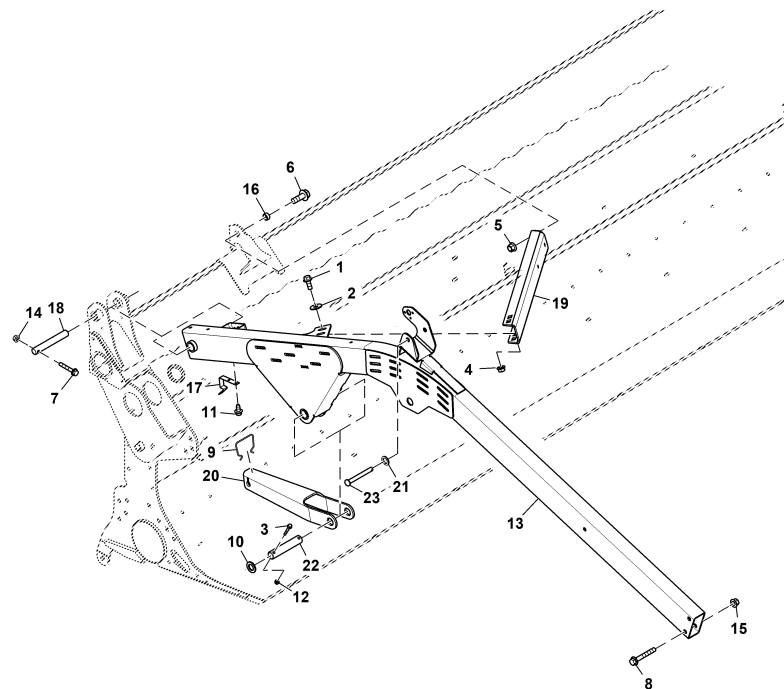


XG380826

Pos.	Artikel-Nr.	Benennung	Menge	Serial	No.
24	Z47500	WASHER	2		
25	19M7167	SCREW, HEX HEAD, METRIC	72		
26	096118	SCREW	24		

Reel Arm, RH

XG410210

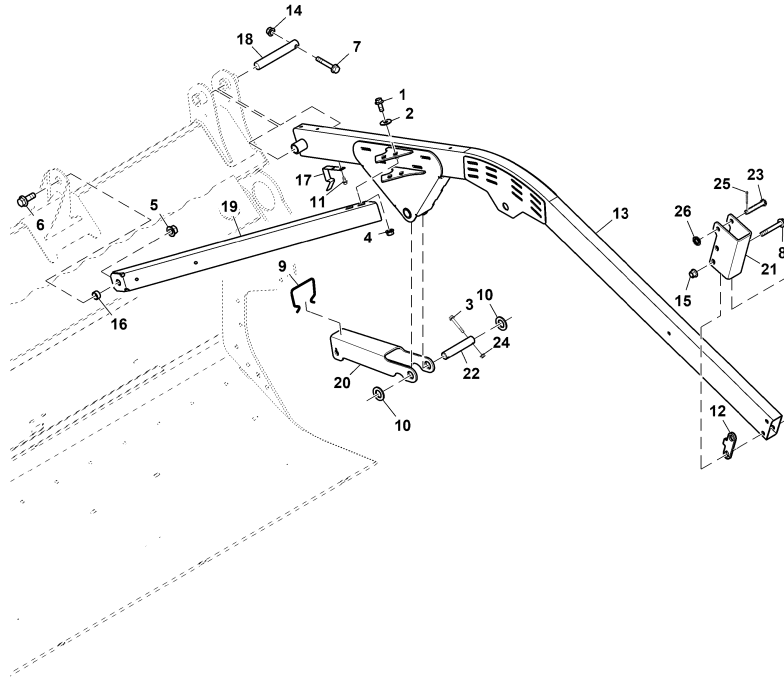


XG410210

Pos.	Artikel-Nr.	Benennung	Menge	Serial	No.
1	19M7789	SCREW, FLANGED, METRIC	4		
2	24M7180	WASHER, METALLIC, ROUND HOLE	4		
3	19M8321	SCREW, FLANGED, METRIC	2		
4	14M7299	NUT, METRIC, HEX FLANGE	4		
5	14M7589	NUT, METRIC, HEX FL, SELF LOCKING	1		
6	19M7844	SCREW, FLANGED, METRIC	1		
7	19M8319	SCREW, FLANGED, METRIC	1		
8	19M9108	SCREW, FLANGED, METRIC	2		
9	H87239	RETAINER-SAFETY STOP	1		
10	24M7091	WASHER, METALLIC, ROUND HOLE	2		
11	37M7089	SCREW, SLFTP, METRIC THD, HEX WSHR	2		
12	14M7397	NUT, METRIC, HEX FL, SELF LOCKING	2		
13	54369	REEL ARM	1		
14	H137328	LOCK NUT, LOCKNUT-FLANGE, M8	1		
15	14M7401	NUT, METRIC, HEX FL, SELF LOCKING	2		
16	HXE89009	BUSHING, SPACER, REEL ARM PIVOT 600	1		
17	H201097	LATCH, REEL LIFT SAFETY STOP	1		
18	HXE87467	PIN, PIN	1		
19	HXE93290	REINFORCEMENT, DIAGONAL REINFORCEME	1		
20	HXE103983	CHANNEL, REEL ARM SAFETY STOP 600X	1		
21	24M7044	Washer	1		
22	HXE87694	PIN, PIN REEL ARM 600X	1		
23	HXE24510	PIN FASTENER, DRILLED, SAE CLEVIS H	1		

Reel Arm, LH

XG410211

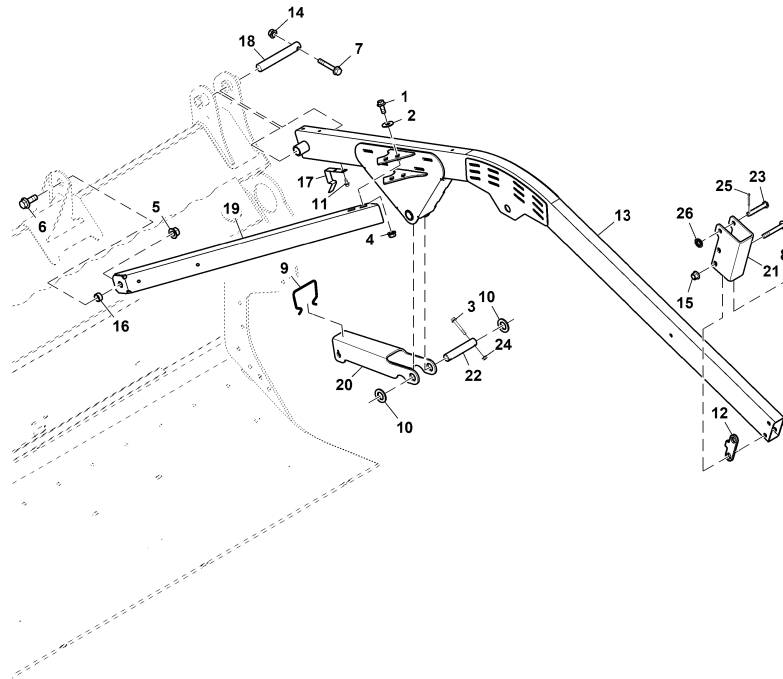


XG410211

Pos.	Artikel-Nr.	Benennung	Menge	Serial	No.
1	19M7789	SCREW, FLANGED, METRIC	4		
2	24M7180	WASHER, METALLIC, ROUND HOLE	4		
3	19M8321	SCREW, FLANGED, METRIC	2		
4	14M7299	NUT, METRIC, HEX FLANGE	4		
5	14M7589	NUT, METRIC, HEX FL, SELF LOCKING	1		
6	19M7844	SCREW, FLANGED, METRIC	1		
7	19M8319	SCREW, FLANGED, METRIC	1		
8	19M9108	SCREW, FLANGED, METRIC	2		
9	HXE103986	RETAINER, RETAINER, SAFETY STOP 600	1		
10	24M7091	WASHER, METALLIC, ROUND HOLE	2		
11	37M7089	SCREW, SLFTPG, METRIC THD, HEX WSHR	2		
12	HXE99297	PLATE, SPACER	1		
13	53597	REEL ARM LH	1		
14	H137328	LOCK NUT, LOCKNUT-FLANGE, M8	1		
15	14M7401	NUT, METRIC, HEX FL, SELF LOCKING	2		
16	HXE89009	BUSHING, SPACER, REEL ARM PIVOT 600	1		
17	H201097	LATCH, REEL LIFT SAFETY STOP	1		
18	HXE87467	PIN, PIN	1		
19	HXE93290	REINFORCEMENT, DIAGONAL REINFORCEME	1		
20	HXE103984	CHANNEL, REEL ARM SAFETY STOP 600X	1		
21	HXE99296	SUPPORT, REEL FORE/AFT CYLINDER SUP	1		
22	HXE87694	PIN, PIN REEL ARM 600X	1		
23	45M7045	Pin Fastener	2		

Reel Arm, LH

XG410211

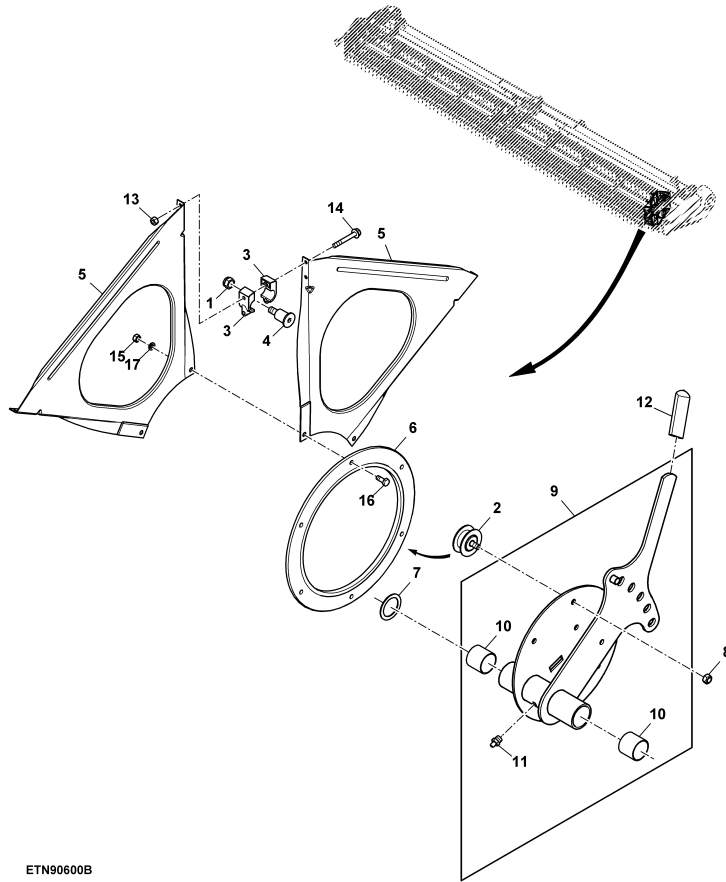


XG410211

Pos.	Artikel-Nr.	Benennung	Menge	Serial	No.
24	14M7397	NUT, METRIC, HEX FL, SELF LOCKING	2		
25	11M7015	PIN, COTTER	1		
26	24M7044	Washer	AR		

Reel Eccentric Spider, LH

ETN90600B

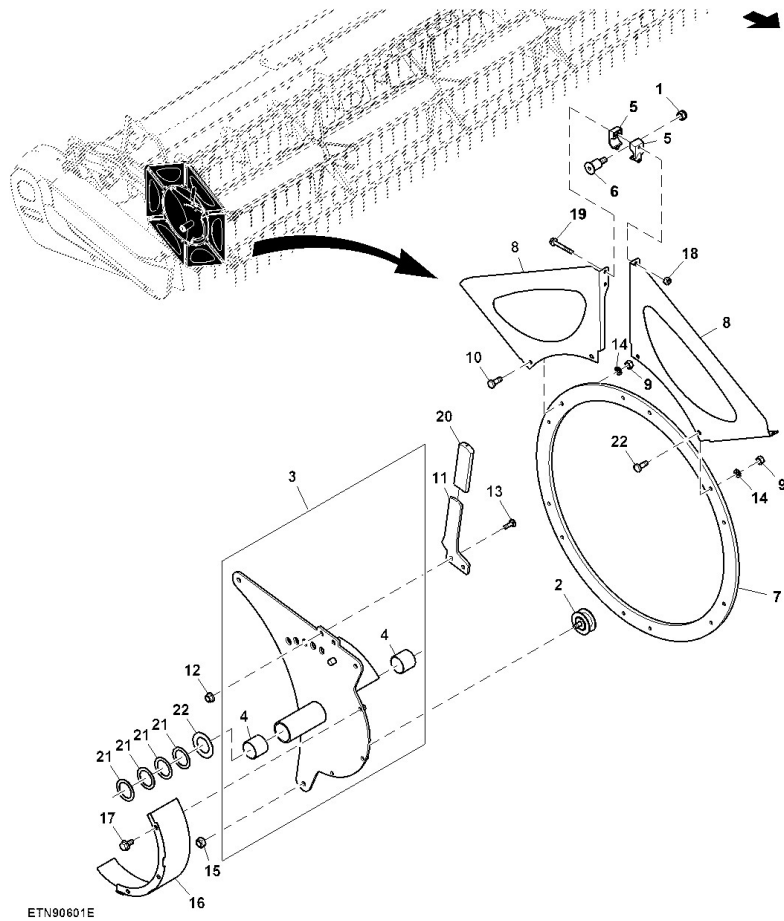


ETN90600B

Pos.	Artikel-Nr.	Benennung	Menge	Serial	No.
1	14M7168	NUT, METRIC, HEX PREVAILING TORQUE	6		
2	AH169497	BEARING ASSY, REEL ECCENTRIC	3		
3	H175603	HOUSING, REEL ARM BEARING	12		
4	H175609	SCREW, METRIC SOCKET HEAD	6		
5	H175610	SHIELD, SHIELD, ECCENTRIC	6		
6	H175744	ECCENTRIC, CONTROL RING (6 BAT)	1		
7	Z39386	WASHER, WASHER	1		
8	A51212	LOCKNUT, HEX DEFLECTED THD M10	3		
9	AXE54382	SUPPORT, L.H REEL TIMING ASSEMBLY	1		
10	H174842	BUSHING, PU REELS	2		
11	JD7759	FITTING,LUBRICATION,STRAIGHT	1		
12	W25634	GRIP	1		
13	H137327	LOCK NUT, FLANGE LOCKNUT, DEFLECTED	12		
14	19M8321	SCREW, FLANGED, METRIC	12		
15	14M7273	NUT, METRIC, HEX	6		
16	19M7139	SCREW, HEX HEAD, METRIC	6		
17	12M7065	LOCK WASHER	6		

Reel Eccentric Spider, RH

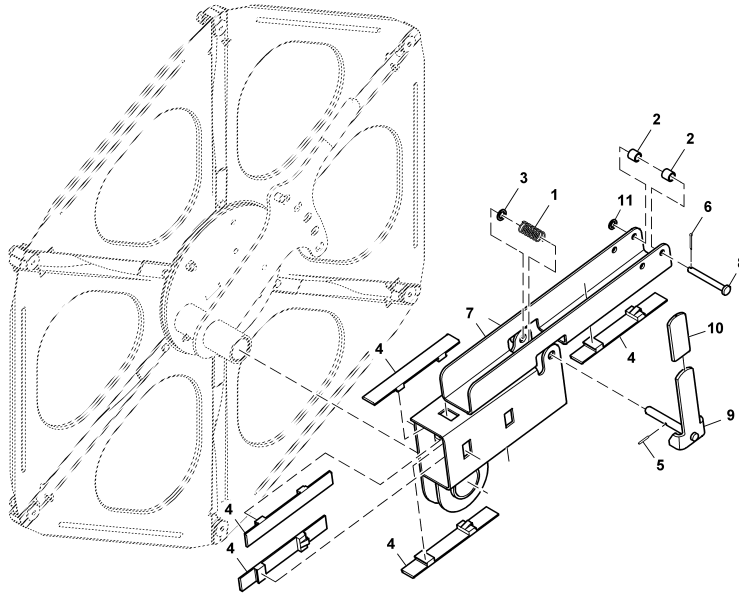
ETN90601E



Pos.	Artikel-Nr.	Benennung	Menge	Serial	No.
1	14M7168	NUT, METRIC, HEX PREVAILING TORQUE	6		
2	AH169497	BEARING ASSY, REEL ECCENTRIC	3		
3	AXE34084	SUPPORT, R.H REEL TIMING	1		
4	H174842	BUSHING, PU REELS	2		
5	H175603	HOUSING, REEL ARM BEARING	12		
6	H175609	SCREW, METRIC SOCKET HEAD	6		
7	HXE55238	ECCENTRIC, CONTROL RING (6 BAT)	1		
8	HXE65249	SHIELD, REEL TIMING SHIELD	6		
9	14M7273	NUT, METRIC, HEX	12		
10	19M7139	SCREW, HEX HEAD, METRIC	12		
11	HXE66196	LEVER, R.H REEL TIMING LEVER	1		
12	14M7298	NUT, METRIC, HEX FLANGE	2		
13	03M7185	BOLT, RD HD SQ SHORT NECK, METRIC	2		
14	12M7065	LOCK WASHER	12		
15	A51212	LOCKNUT, HEX DEFLECTED THD M10	3		
16	AXE39008	SHIELD, INBOARD REEL DRIVE SHIELD	1		
17	19M7865	SCREW, FLANGED, METRIC	3		
18	H137327	LOCK NUT, FLANGE LOCKNUT, DEFLECTED	12		
19	19M8321	SCREW, FLANGED, METRIC	12		
20	W25634	GRIP	1		
21	Z39386	WASHER, WASHER	4		
22	Z47500	WASHER	1		

Saddle Bracket, Reel, LH

ETN90603CR1

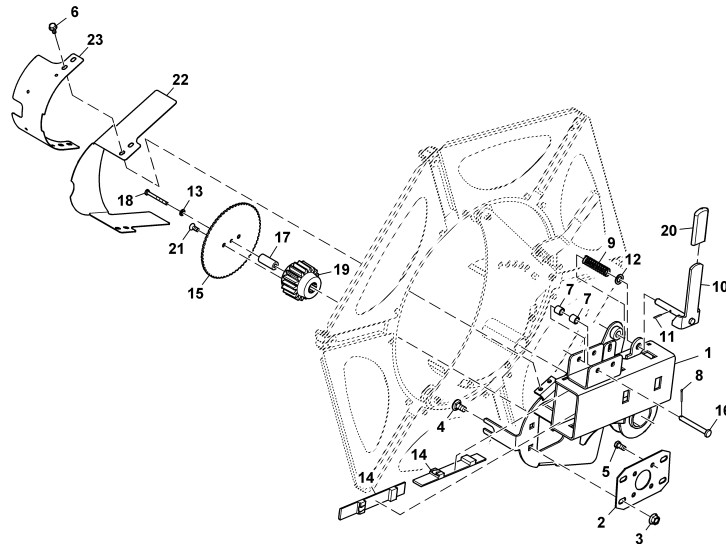


ETN90603CR1

Pos.	Artikel-Nr.	Benennung	Menge	Serial	No.
1	H169141	SPRING, REEL FINGER PITCH ADJ.	1		
2	28H3381	BUSHING, CLASS D	2		
3	24M7145	WASHER, METALLIC, ROUND HOLE	1		
4	H162672	PAD - REEL SLIDE	5		
5	34M7023	PIN, SPRING	1		
6	11M7015	PIN, COTTER	1		
7	AXE67900	BRACKET, REEL SADDLE BRACKET LH	1		
8	W38051	PIN FASTENER, PIN	1		
9	AXE37425	SPRING LOCKING PIN, REEL TIMING LOC	1		
10	W25634	GRIP	1		
11	24M7044	Washer	1		

Reel Drive Mountings and Gears, RH

ETN90604ER1

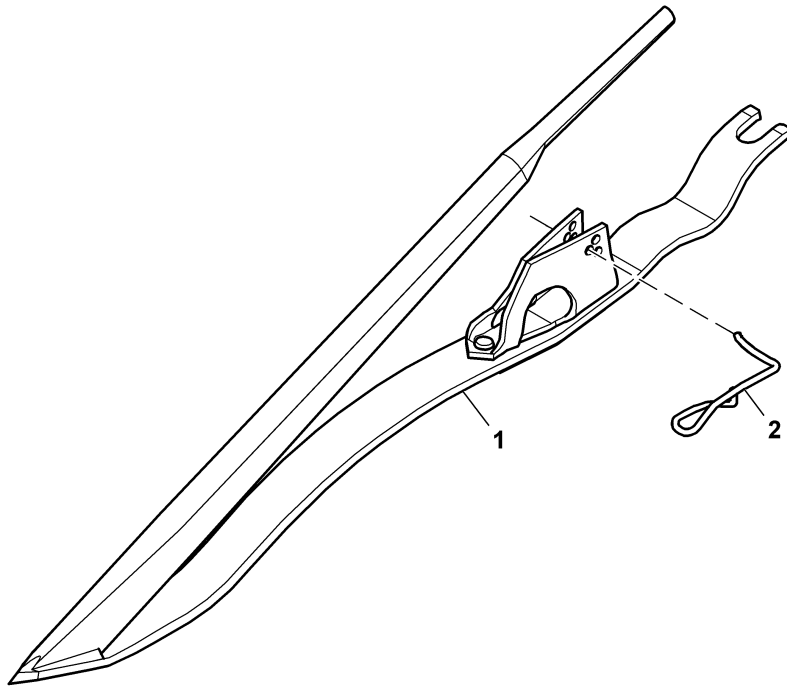


ETN90604ER1

Pos.	Artikel-Nr.	Benennung	Menge	Serial	No.
1	AXE67907	BRACKET, REEL SADDLE BRACKET 25'-35	1		
2	HXE55230	PLATE, REEL MOTOR MOUNT	1		
3	14M7299	NUT, METRIC, HEX FLANGE	4		
4	03M7197	BOLT, RD HD SQ SHORT NECK, METRIC	4		
5	19H1936	SCREW, HEX HEAD	4		
6	19M7865	SCREW, FLANGED, METRIC	4		
7	28H3381	BUSHING, CLASS D	2		
8	11M7015	PIN, COTTER	1		
9	H169141	SPRING, REEL FINGER PITCH ADJ.	1		
10	AXE37425	SPRING LOCKING PIN, REEL TIMING LOC	1		
11	34M7023	PIN, SPRING	1		
12	24M7145	WASHER, METALLIC, ROUND HOLE	1		
13	12M7065	LOCK WASHER	1		
14	H162672	PAD - REEL SLIDE	4		
15	HXE65756	TONE WHEEL, TONE WHEEL	1		
16	W38051	PIN FASTENER, PIN	1		
17	HXE73379	SPACER, SPACER	1		
18	19H2334	SCREW, HEX HEAD	1		
19	HXE73353	SPUR GEAR, INBOARD REEL DRIVE SPUR	1		
20	W25634	GRIP	1		
21	19M7573	SCREW, HEX FLAT CTSK HEAD, METRIC	2		
22	HXE61887	SHEET, SHIELD	1		
23	HXE85078	SHEET, SHIELD REEL DRIVE 622X-635X	1		

Crop Lifter

XG298899

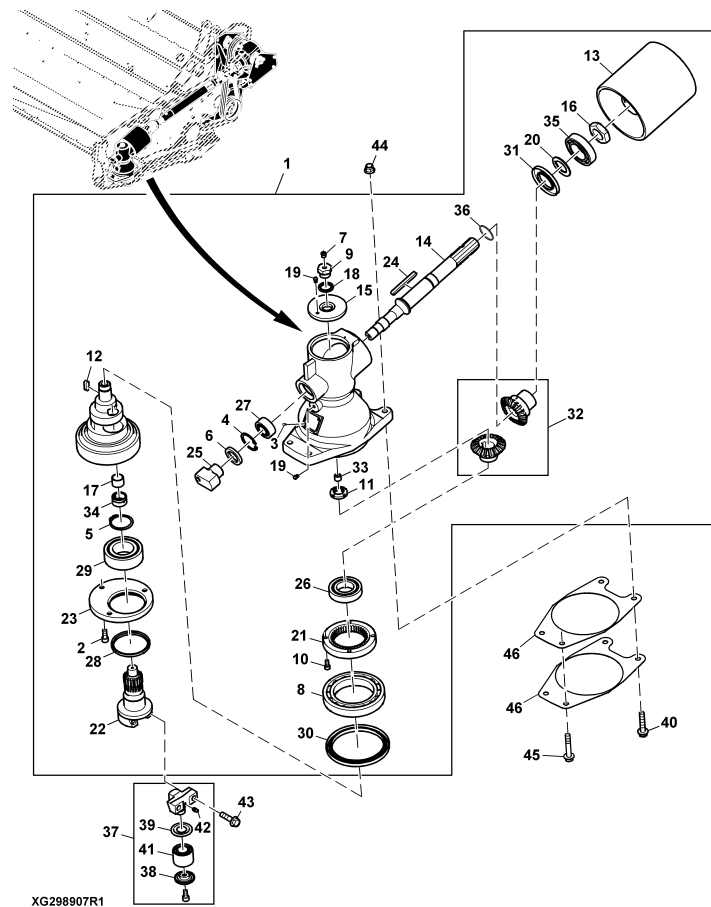


XG298899

Pos.	Artikel-Nr.	Benennung	Menge	Serial	No.
1	AXE23480	CROP LIFTER, CROP LIFTER ASK 1000 J	39		
2	Z41246	CLIP LIFTER RETAINER	39		

Knife Drive, LH

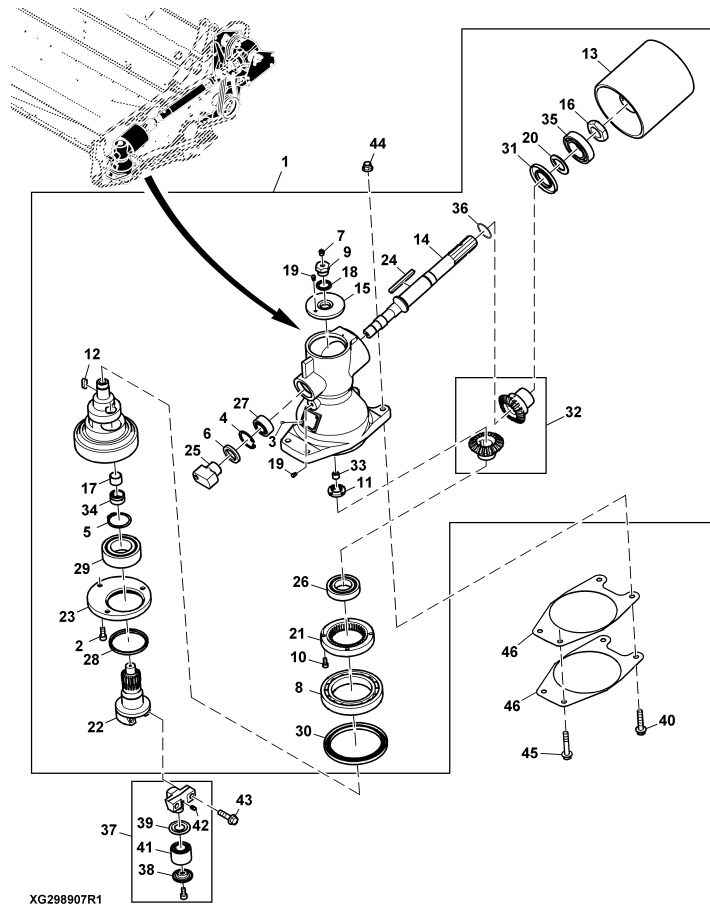
XG298907R1



Pos.	Artikel-Nr.	Benennung	Menge	Serial	No.
1	DE30794	GEAR CASE, KNIFE DRIVE GEN IV GEARB	1		
2	19M9419	SCREW, HEX SOCKET HEAD, METRIC	3		
3	25M3827	PIN, GROOVED, HEADED	2		
4	40M1865	SNAP RING	1		
5	40M7066	RING, EXTERNAL SNAP	1		
6	48M7039	SEAL, INTERNAL, OIL, DUAL LIP	1		
7	AE38448	VALVE, RELIEF	1		
8	AZ51954	BALL BEARING	1		
9	CE18307	PLUG	1		
10	CE18661	SCREW	4		
11	CE18663	RETAINER, RETAINER	1		
12	CE18665	SHAFT KEY	1		
13	CE19249	PULLEY, FLY WHEEL	1		
14	CE31916	AXLE, INPUT SHAFT	1		
15	CE19573	COVER BUSHING, PIPE	1		
16	CE19586	NUT, NUT M36 X 1,5	1		
17	CE19588	BEARING RACE, BEARING RACE LR25X30X	1		
18	CE20069	SEALING WASHER	1		
19	CE21013	PIPE PLUG	2		
20	CE21934	WASHER, KEY HOLE WASHER	1		
21	CE31609	RING GEAR, SPUR GEAR	1		
22	CE31610	GEAR, INTEGRATED PINION	1		
23	CE31613	CAP, ROTOR COVER	1		

Knife Drive, LH

XG298907R1

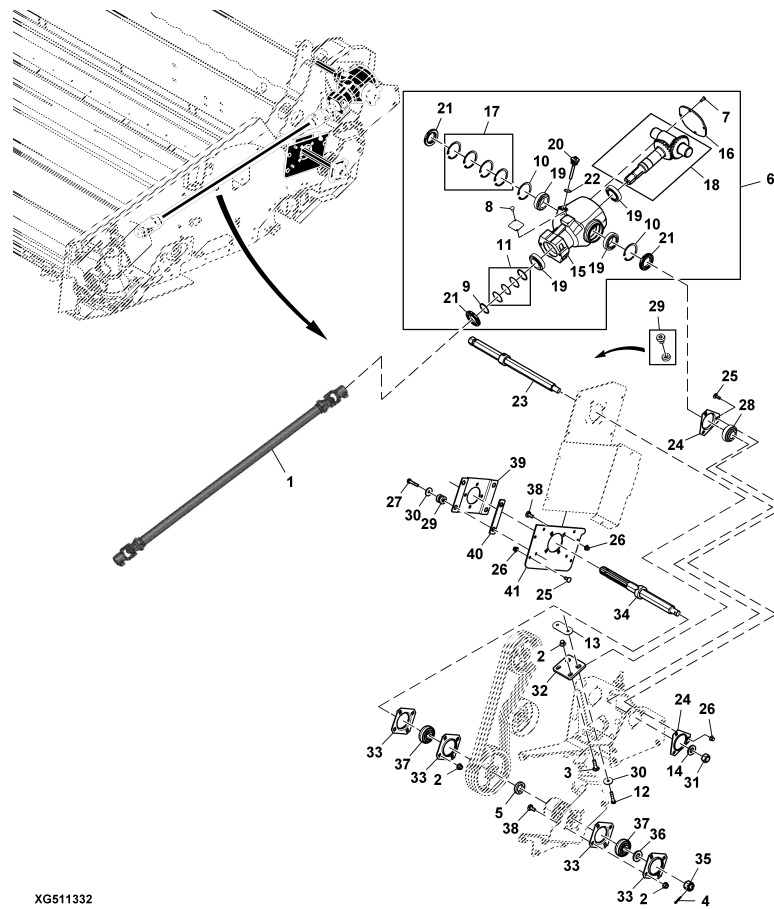


XG298907R1

Pos.	Artikel-Nr.	Benennung	Menge	Serial	No.
24	CE19587	SHAFT KEY JDS 115-A 10X8X90 DIN6885	1		
25	CE31647	CRANK, SIDEKNIFE CRANK	1		
26	DE19306	BALL BEARING 6209 2RS	1		
27	DE19311	BALL BEARING 5205	1		
28	DE19906	SEAL 90X100X8	1		
29	DE19907	BALL BEARING, BALL BEARING 32112RS	1		
30	DE30033	SEAL, OIL SEAL 135X165X10	1		
31	DE30099	SEAL, RADIAL OIL SEAL 50X90X8 AS D	1		
32	DE30587	BEVEL GEAR DRIVE, SERVICE KIT BEVEL	1		
33	H22789	PIPE PLUG	1		
34	JD38925	NADELHUELSE HK 3020	1		
35	JD9346	BEARING ,BALL	1		
36	P50635	O-RING	1		
37	DE19294	ACTUATOR	1		
38	CE18652	BEARING CAP, BEARING CAP	1		
39	CE18653	CAP, CAP	1		
40	19M7815	SCREW, FLANGED, METRIC	23		
41	DE19475	TAPERED ROLLER BEARING	1		
42	JD7797	FITTING,LUBRICATION,STRAIGHT	1		
43	19M7813	SCREW, FLANGED, METRIC	2		
44	H137329	LOCK NUT, FLANGE LOCKNUT, DEFLECTED	4		
45	19M7817	SCREW, FLANGED, METRIC	2		
46	53296	DISK, ADJUSTMENT	2		

Knife Drive Shaft, LH (- 021242)

XG511332

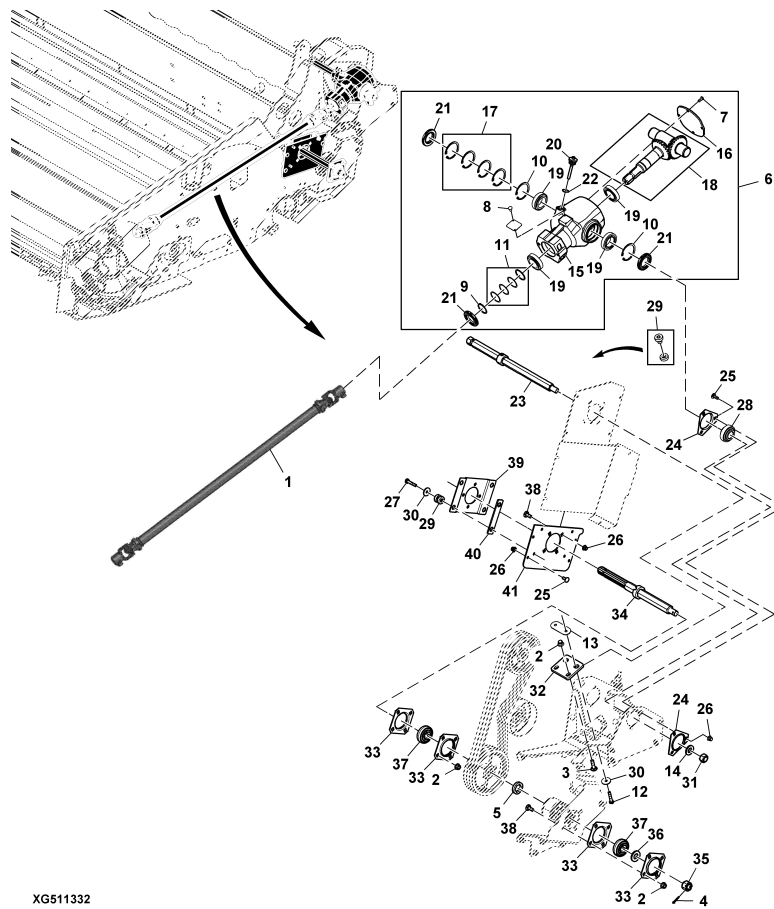


XG511332

Pos.	Artikel-Nr.	Benennung	Menge	Serial	No.
1	52555	UNIVERSAL DRIVESHAFT	1		
2	H137329	LOCK NUT, FLANGE LOCKNUT, DEFLECTED	8		
3	03M7201	BOLT, RD HD SQ SHORT NECK, METRIC	2		
4	11M7030	PIN, COTTER	1		
5	54141	SHIM	1		
6	DE30909	GEAR CASE, GEAR CASE, DRAPER 90 DEG	1		
7	19M7284	SCREW, HEX HEAD, METRIC	4		
8	25M7021	PIN, GROOVED, HEADED	2		
9	40M1837	RING, EXTERNAL SNAP	1		
10	40M5099	RING, INTERNAL SNAP	2		
11	DE20227	TUNE-UP KIT (SHIMS)	1		
12	19M7658	SCREW, HEX HEAD, METRIC	2		
13	HXE57162	PLATE, ISOLATOR REBOUND	1		
14	24M7242	WASHER, METALLIC, ROUND HOLE	1		
15	CE31812	HOUSING, HOUSING	1		
16	CE20089	COVER	1		
17	DE20228	TUNE-UP KIT (SNAP RINGS)	1		
18	DE30134	BEVEL GEAR, KIT	1		
19	DE19265	CYLINDRICAL ROLLER BEARING	4		
20	DE20107	DIPSTICK VENTED	1		
21	DE20509	SEAL	3		
22	U12547	O-RING, (-12 O-RING)	1		
23	54986	DRIVE SHAFT	1		

Knife Drive Shaft, LH (- 021242)

XG511332

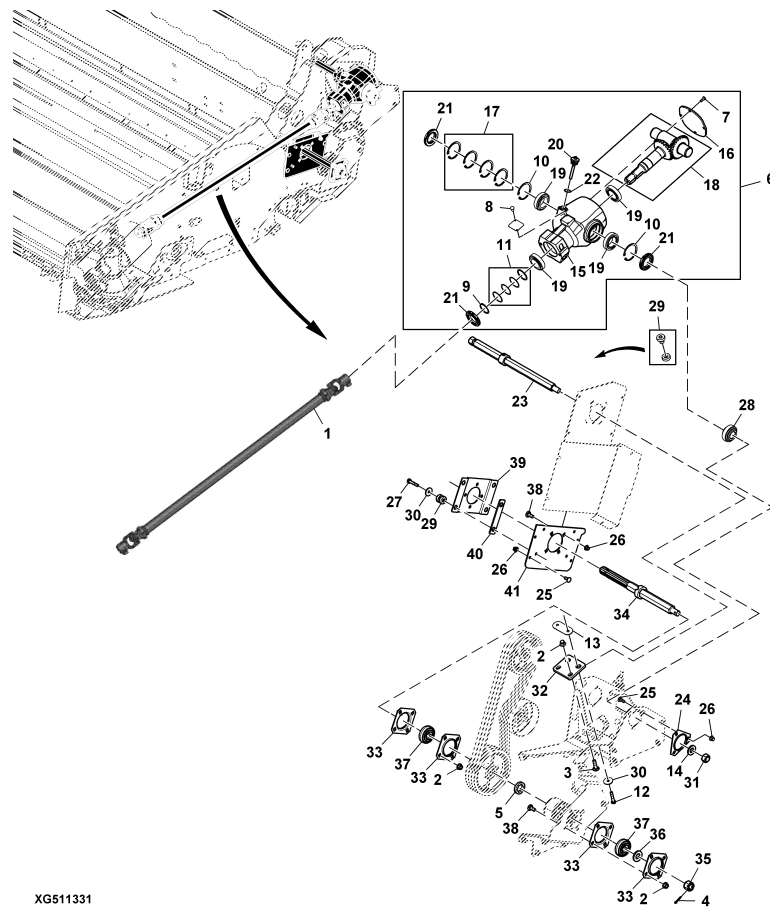


XG511332

Pos.	Artikel-Nr.	Benennung	Menge	Serial	No.
24	H103265	PRESSED FLANGED HOUSING, FLANGETTE-	4		
25	03M7195	BOLT, RD HD SQ SHORT NECK, METRIC	3		
26	14M7400	NUT, METRIC, HEX FL, SELF LOCKING	22		
27	19M7181	SCREW, HEX HEAD, METRIC	2		
28	AXE12979	BALL BEARING, WIDE HEX ID	2		
29	AXE10240	ISOLATOR, ISOLATOR, TWO-PIECE MOUNT	6		
30	MT2491	WASHER, METALLIC FLAT	12		
31	A31870	LOCKNUT, HEX DEFLECTED THREAD M20	1		
32	HXE56969	BRACKET, 90 DEGREE GEARCASE, PLATE	1		
33	E62484	PRESSED FLANGED HOUSING	4		
34	54604	SHAFT	1		
35	HXE35847	NUT, HEX SLOTTED NUT	1		
36	24M7237	WASHER, METALLIC, ROUND HOLE	1		
37	AE37204	BALL BEARING	1		
38	03M7198	BOLT, RD HD SQ SHORT NECK, METRIC	1		
39	54207	BRACKET, TRANSMISSON, SIDE WALL	1		
40	52932	SPACER	2		
41	54005	SHEET, BEARING, BOTTOM	1		

Knife Drive Shaft, LH (021243 -)

XG511331

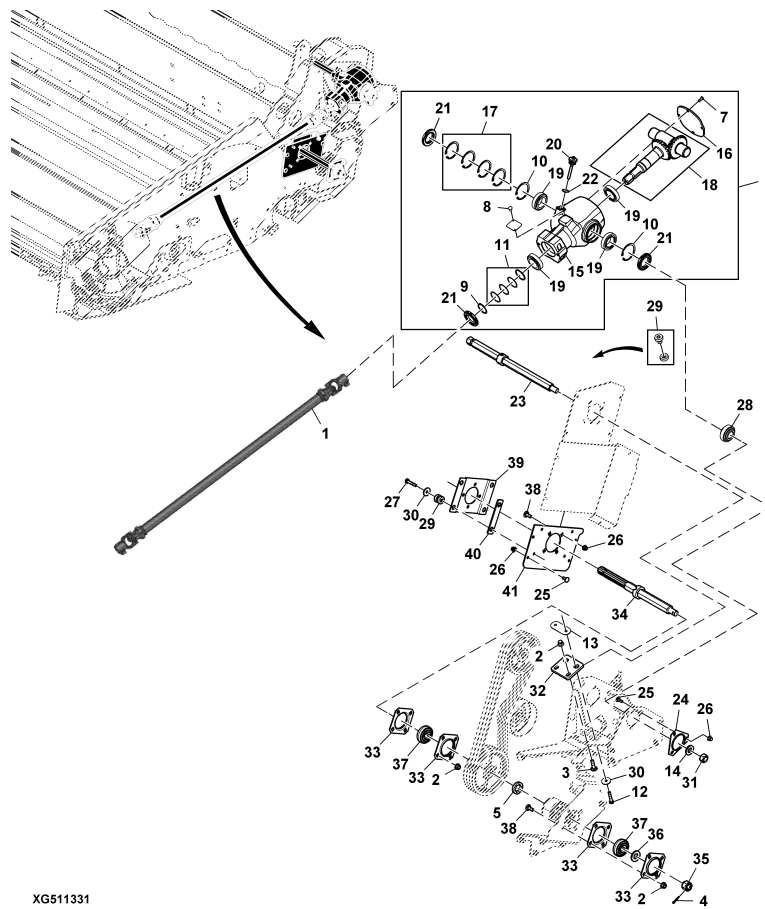


XG511331

Pos.	Artikel-Nr.	Benennung	Menge	Serial	No.
1	52555	UNIVERSAL DRIVESHAFT	1		
2	H137329	LOCK NUT, FLANGE LOCKNUT, DEFLECTED	8		
3	03M7201	BOLT, RD HD SQ SHORT NECK, METRIC	2		
4	11M7030	PIN, COTTER	1		
5	54141	SHIM	1		
6	DE30909	GEAR CASE, GEAR CASE, DRAPER 90 DEG	1		
7	19M7284	SCREW, HEX HEAD, METRIC	4		
8	25M7021	PIN, GROOVED, HEADED	2		
9	40M1837	RING, EXTERNAL SNAP	1		
10	40M5099	RING, INTERNAL SNAP	2		
11	DE20227	TUNE-UP KIT (SHIMS)	1		
12	19M7658	SCREW, HEX HEAD, METRIC	2		
13	HXE57162	PLATE, ISOLATOR REBOUND	1		
14	24M7242	WASHER, METALLIC, ROUND HOLE	1		
15	CE31812	HOUSING, HOUSING	1		
16	CE20089	COVER	1		
17	DE20228	TUNE-UP KIT (SNAP RINGS)	1		
18	DE30134	BEVEL GEAR, KIT	1		
19	DE19265	CYLINDRICAL ROLLER BEARING	4		
20	DE20107	DIPSTICK VENTED	1		
21	DE20509	SEAL	3		
22	U12547	O-RING, (-12 O-RING)	1		
23	55081	SHAFT	1		

Knife Drive Shaft, LH (021243 -)

XG511331

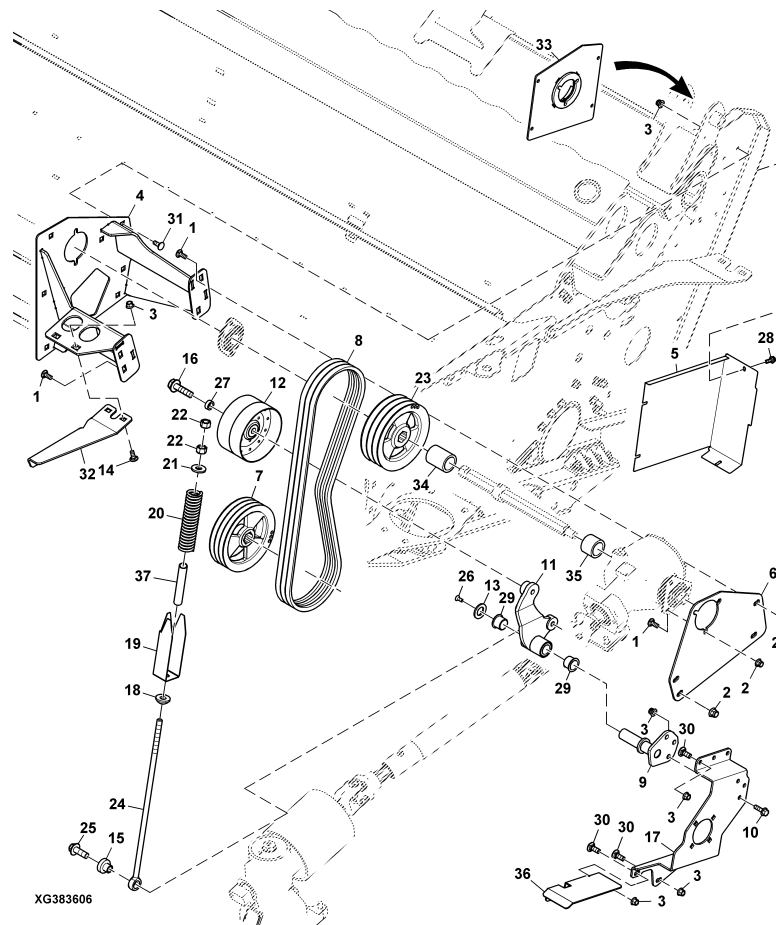


XG511331

Pos.	Artikel-Nr.	Benennung	Menge	Serial	No.
24	H103265	PRESSED FLANGED HOUSING, FLANGETTE-	2		
25	03M7191	BOLT, RD HD SQ SHORT NECK, METRIC	4		
26	14M7400	NUT, METRIC, HEX FL, SELF LOCKING	22		
27	19M7181	SCREW, HEX HEAD, METRIC	2		
28	AXE12979	BALL BEARING, WIDE HEX ID	1		
29	AXE10240	ISOLATOR, ISOLATOR, TWO-PIECE MOUNT	6		
30	MT2491	WASHER, METALLIC FLAT	12		
31	A31870	LOCKNUT, HEX DEFLECTED THREAD M20	1		
32	HXE56969	BRACKET, 90 DEGREE GEARCASE, PLATE	1		
33	E62484	PRESSED FLANGED HOUSING	4		
34	54604	SHAFT	1		
35	HXE35847	NUT, HEX SLOTTED NUT	1		
36	24M7237	WASHER, METALLIC, ROUND HOLE	1		
37	AE37204	BALL BEARING	1		
38	03M7198	BOLT, RD HD SQ SHORT NECK, METRIC	1		
39	54207	BRACKET, TRANSMISSON, SIDE WALL	1		
40	52932	SPACER	2		
41	54005	SHEET, BEARING, BOTTOM	1		

Cutterbar Drive, LH (- 021242)

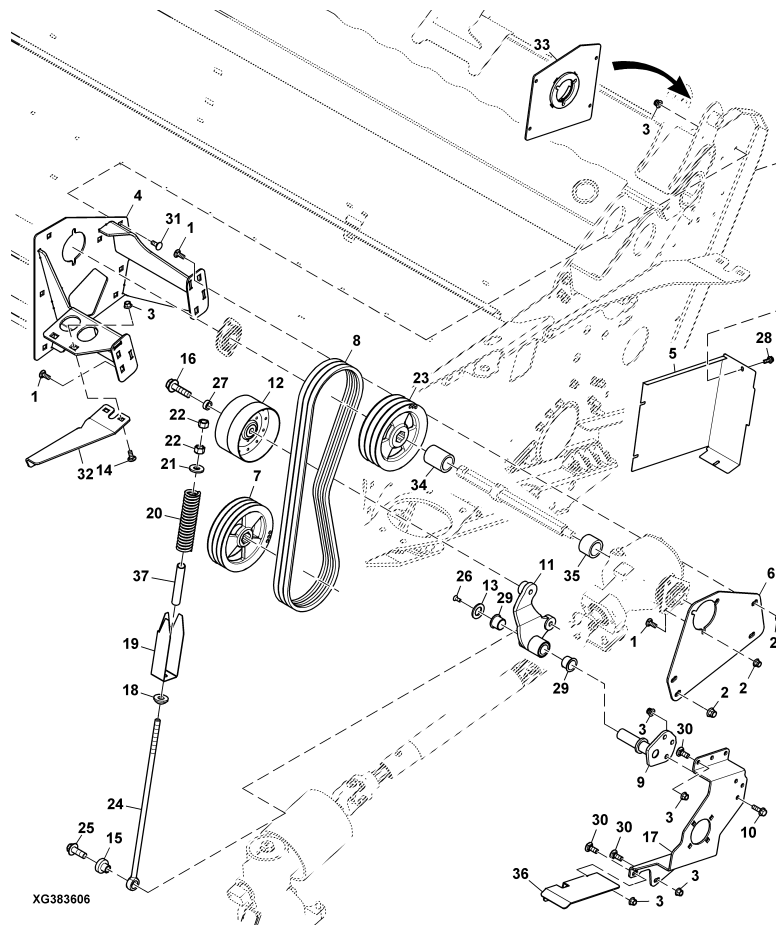
XG383606



Pos.	Artikel-Nr.	Benennung	Menge	Serial	No.
1	03M7191	BOLT, RD HD SQ SHORT NECK, METRIC	3		
2	14M7400	NUT, METRIC, HEX FL, SELF LOCKING	4		
3	H137329	LOCK NUT, FLANGE LOCKNUT, DEFLECTED	28		
4	54074	BRACKET, TRANSMISSION, LEFT	1		
5	54006	GUARD, BELT DRIVE	1		
6	HXE96192	PLATE, GEARBOX END	1		
7	HXE78129	PULLEY, 3HB, OFFSET, 35.31 BORE, 20	1		
8	AXE37950	BELT SET, 1805 EL WRAPPED EDGE	1		
9	54149	BRACKET, BELT TENSIONER	1		
10	19M7789	SCREW, FLANGED, METRIC	12		
11	54144	LEVER, IDLER	1		
12	AZ45472	IDLER	1		
13	54151	WASHER, STOP, BELT TENSIONER	1		
14	03M7201	BOLT, RD HD SQ SHORT NECK, METRIC	1		
15	H204591	BUSHING,TENSIONER PIVOT	1		
16	19M7827	SCREW, FLANGED, METRIC	1		
17	54007	BRACKET, BUSHING, DRIVE SHAFT	1		
18	H178088	WASHER - WASHER BEVEL(SPECIAL)	1		
19	HXE72227	GAUGE, SPRING, 180.9 WORKING LENGTH	1		
20	H94510	SPRING-OUTER COMPRESSION	1		
21	24H1373	WASHER, METALLIC, ROUND HOLE	1		
22	14M7276	NUT, METRIC, HEX	2		
23	HXE62438	PULLEY, 3HB OFFSET, 28.88 BORE, 203	1		

Cutterbar Drive, LH (- 021242)

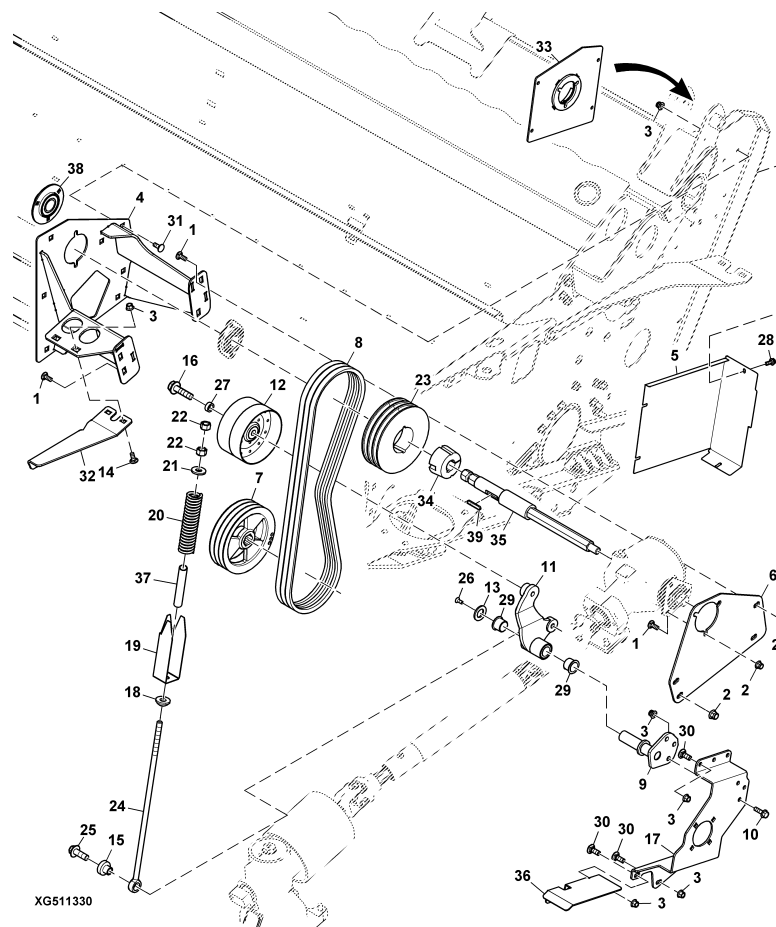
XG383606



Pos.	Artikel-Nr.	Benennung	Menge	Serial	No.
24	H204589	EYEBOLT, IDLER SPRING	1		
25	19M7824	SCREW, FLANGED, METRIC	1		
26	70034	DIN7991 HEXAGON SOCKET SCREW M8 X 2	1		
27	T215678	BUSHING	1		
28	19M7866	SCREW, FLANGED, METRIC	2		
29	093142	BUSHING	2		
30	HXE90799	BOLT, BOLT RNDHD SN M12X1.75X30 - 1	5		
31	03M7197	BOLT, RD HD SQ SHORT NECK, METRIC	9		
32	54164	SHEET, TRANSMISSION, LEFT	1		
33	54137	SHEET, BEARING, TOP	1		
34	54140	BUSHING	1		
35	54139	BUSHING	1		
36	53258	GUARD, CHAIN	1		
37	54706	DISTANCE TUBE	1		

Cutterbar Drive, LH (021243 -)

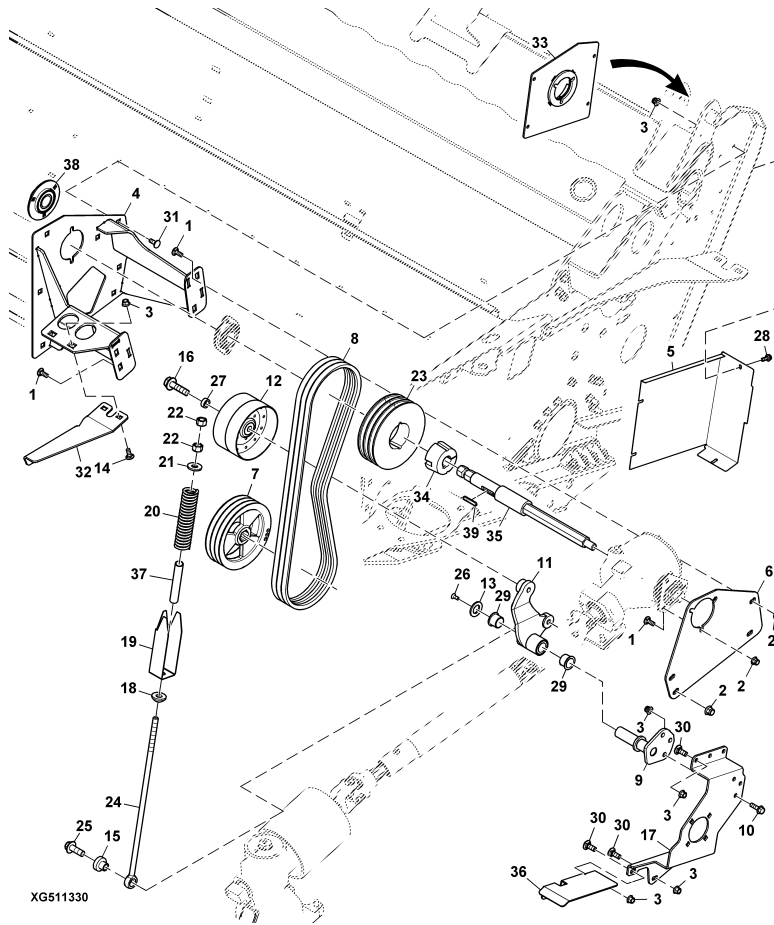
XG511330



Pos.	Artikel-Nr.	Benennung	Menge	Serial	No.
1	03M7191	BOLT, RD HD SQ SHORT NECK, METRIC	3		
2	14M7400	NUT, METRIC, HEX FL, SELF LOCKING	4		
3	H137329	LOCK NUT, FLANGE LOCKNUT, DEFLECTED	28		
4	54074	BRACKET, TRANSMISSION, LEFT	1		
5	54006	GUARD, BELT DRIVE	1		
6	HXE96192	PLATE, GEARBOX END	1		
7	HXE78129	PULLEY, 3HB, OFFSET, 35.31 BORE, 20	1		
8	AXE37950	BELT SET, 1805 EL WRAPPED EDGE	1		
9	54149	BRACKET, BELT TENSIONER	1		
10	19M7789	SCREW, FLANGED, METRIC	12		
11	54144	LEVER, IDLER	1		
12	AZ45472	IDLER	1		
13	54151	WASHER, STOP, BELT TENSIONER	1		
14	03M7201	BOLT, RD HD SQ SHORT NECK, METRIC	1		
15	H204591	BUSHING,TENSIONER PIVOT	1		
16	19M7827	SCREW, FLANGED, METRIC	1		
17	54007	BRACKET, BUSHING, DRIVE SHAFT	1		
18	H178088	WASHER - WASHER BEVEL(SPECIAL)	1		
19	HXE72227	GAUGE, SPRING, 180.9 WORKING LENGTH	1		
20	H94510	SPRING-OUTER COMPRESSION	1		
21	24H1373	WASHER, METALLIC, ROUND HOLE	1		
22	14M7276	NUT, METRIC, HEX	2		
23	097467	PULLEY	1		

Cutterbar Drive, LH (021243 -)

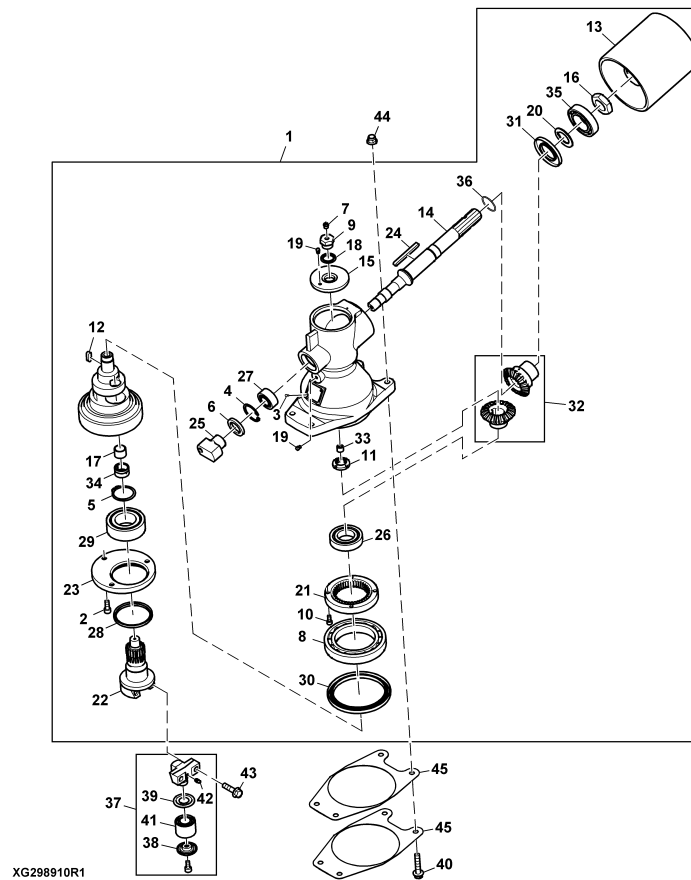
XG511330



Pos.	Artikel-Nr.	Benennung	Menge	Serial	No.
24	H204589	EYEBOLT, IDLER SPRING	1		
25	19M7824	SCREW, FLANGED, METRIC	1		
26	70034	DIN7991 HEXAGON SOCKET SCREW M8 X 2	1		
27	T215678	BUSHING	1		
28	19M7866	SCREW, FLANGED, METRIC	2		
29	093142	BUSHING	2		
30	HXE90799	BOLT, BOLT RNDHD SN M12X1.75X30 - 1	5		
31	03M7197	BOLT, RD HD SQ SHORT NECK, METRIC	9		
32	54164	SHEET, TRANSMISSION, LEFT	1		
33	54137	SHEET, BEARING, TOP	1		
34	097468	BUSHING	1		
35	55081	SHAFT	1		
36	53258	GUARD, CHAIN	1		
37	54706	DISTANCE TUBE	1		
38	60455	BEARING, KIT	1		
39	70266	PARALLEL KEY	1		

Knife Drive, RH

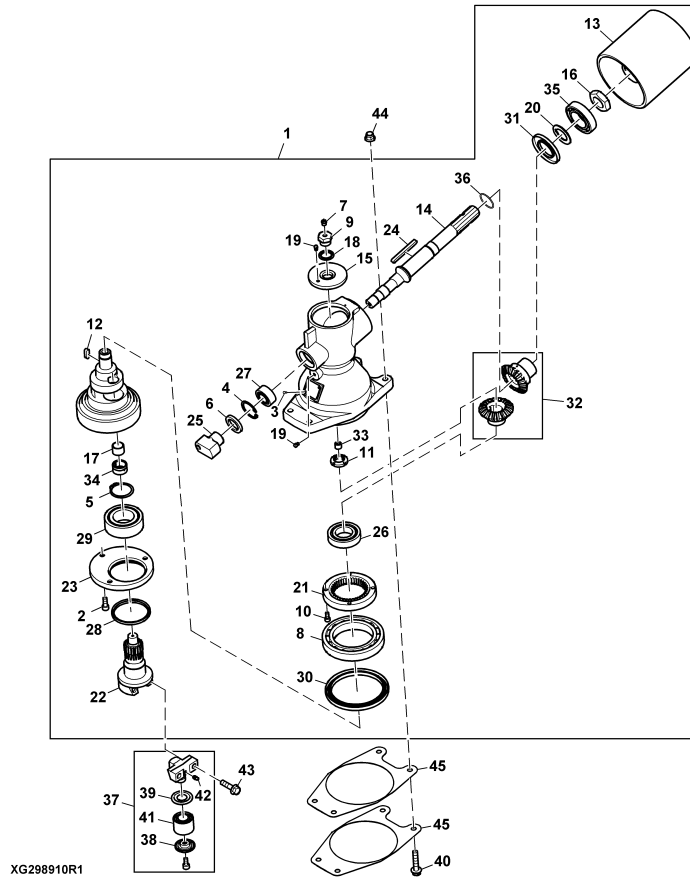
XG298910R1



Pos.	Artikel-Nr.	Benennung	Menge	Serial	No.
1	DE30794	GEAR CASE, KNIFE DRIVE GEN IV GEARB	1		
2	19M9419	SCREW, HEX SOCKET HEAD, METRIC	3		
3	25M3827	PIN, GROOVED, HEADED	2		
4	40M1865	SNAP RING	1		
5	40M7066	RING, EXTERNAL SNAP	1		
6	48M7039	SEAL, INTERNAL, OIL, DUAL LIP	1		
7	AE38448	VALVE, RELIEF	1		
8	AZ51954	BALL BEARING	1		
9	CE18307	PLUG	1		
10	CE18661	SCREW	4		
11	CE18663	RETAINER, RETAINER	1		
12	CE18665	SHAFT KEY	1		
13	CE19249	PULLEY, FLY WHEEL	1		
14	CE31916	AXLE, INPUT SHAFT	1		
15	CE19573	COVER BUSHING, PIPE	1		
16	CE19586	NUT, NUT M36 X 1,5	1		
17	CE19588	BEARING RACE, BEARING RACE LR25X30X	1		
18	CE20069	SEALING WASHER	1		
19	CE21013	PIPE PLUG	2		
20	CE21934	WASHER, KEY HOLE WASHER	1		
21	CE31609	RING GEAR, SPUR GEAR	1		
22	CE31610	GEAR, INTEGRATED PINION	1		
23	CE31613	CAP, ROTOR COVER	1		

Knife Drive, RH

XG298910R1

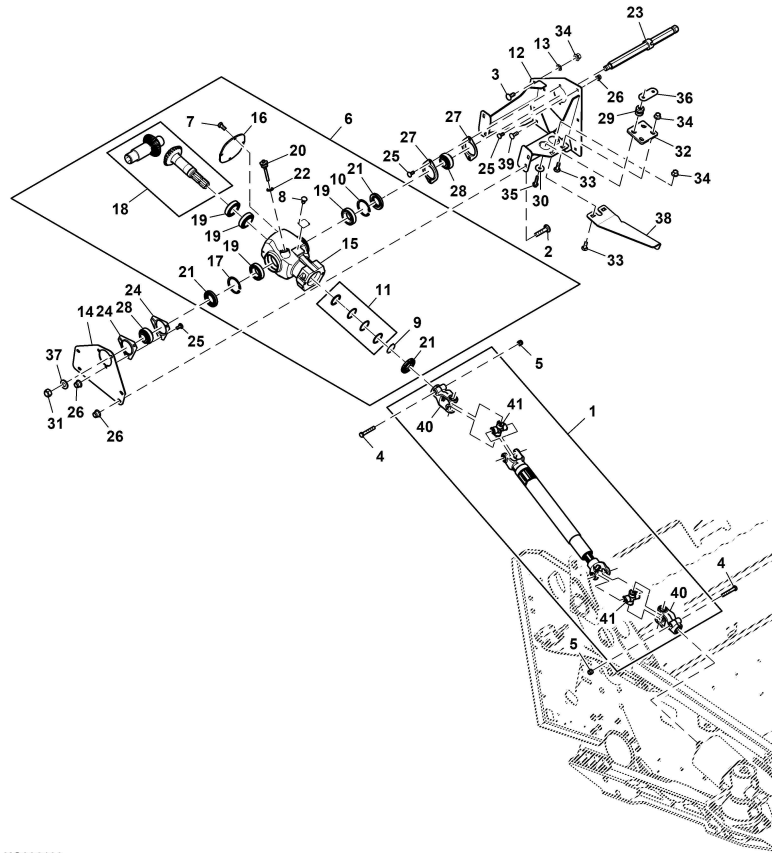


XG298910R1

Pos.	Artikel-Nr.	Benennung	Menge	Serial	No.
24	CE19587	SHAFT KEY JDS 115-A 10X8X90 DIN6885	1		
25	CE31647	CRANK, SIDEKNIFE CRANK	1		
26	DE19306	BALL BEARING 6209 2RS	1		
27	DE19311	BALL BEARING 5205	1		
28	DE19906	SEAL 90X100X8	1		
29	DE19907	BALL BEARING, BALL BEARING 32112RS	1		
30	DE30033	SEAL, OIL SEAL 135X165X10	1		
31	DE30099	SEAL, RADIAL OIL SEAL 50X90X8 AS D	1		
32	DE30587	BEVEL GEAR DRIVE, SERVICE KIT BEVEL	1		
33	H22789	PIPE PLUG	1		
34	JD38925	NADELHUELSE HK 3020	1		
35	JD9346	BEARING ,BALL	1		
36	P50635	O-RING	1		
37	DE19294	ACTUATOR	1		
38	CE18652	BEARING CAP, BEARING CAP	1		
39	CE18653	CAP, CAP	1		
40	19M7815	SCREW, FLANGED, METRIC	4		
41	DE19475	TAPERED ROLLER BEARING	1		
42	JD7797	FITTING,LUBRICATION,STRAIGHT	1		
43	19M7813	SCREW, FLANGED, METRIC	2		
44	H137329	LOCK NUT, FLANGE LOCKNUT, DEFLECTED	4		
45	53296	DISK, ADJUSTMENT	2		

Knife Drive Shaft, RH

XG396100

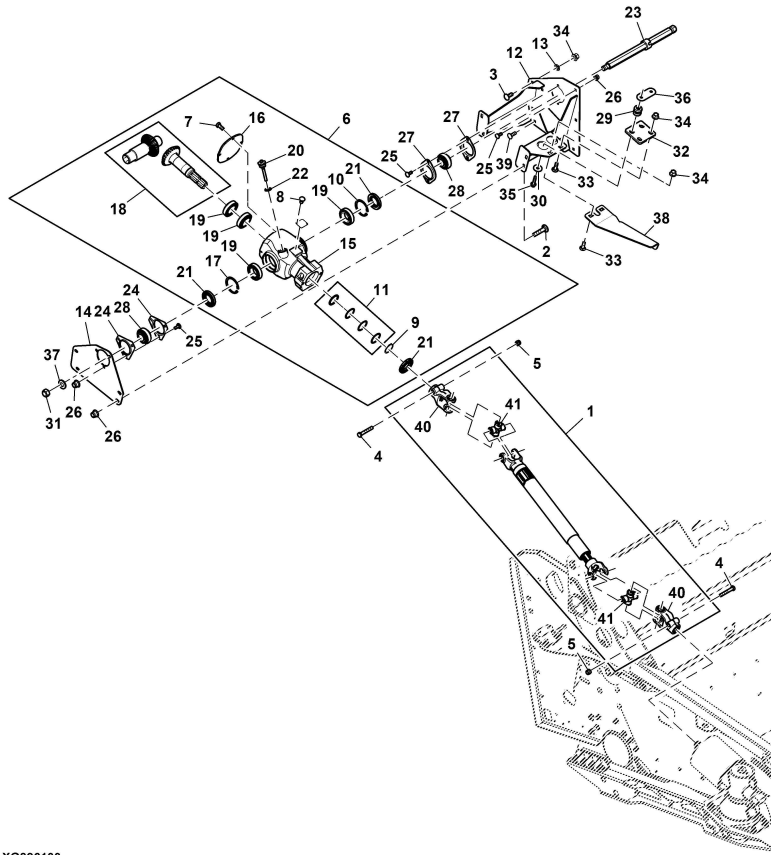


XG396100

Pos.	Artikel-Nr.	Benennung	Menge	Serial	No.
1	52555	UNIVERSAL DRIVESHAFT	1		
2	03M7195	BOLT, RD HD SQ SHORT NECK, METRIC	1		
3	03M7198	BOLT, RD HD SQ SHORT NECK, METRIC	9		
4	19M7753	SCREW, HEX HEAD, METRIC	2		
5	14M7313	NUT, METRIC, HEX PREVAILING TORQUE	2		
6	DE30909	GEAR CASE, GEAR CASE, DRAPER 90 DEG	1		
7	19M7284	SCREW, HEX HEAD, METRIC	4		
8	25M7021	PIN, GROOVED, HEADED	2		
9	40M1837	RING, EXTERNAL SNAP	1		
10	40M5099	RING, INTERNAL SNAP	1		
11	DE20227	TUNE-UP KIT (SHIMS)	1		
12	54085	BRACKET, TRANSMISSION, RIGHT	1		
13	H143731	PUSH NUT, M12	9		
14	HXE96192	PLATE, GEARBOX END	1		
15	CE31812	HOUSING, HOUSING	1		
16	CE20089	COVER	1		
17	CE20097	SNAP RING INTERNAL / M75- BORE DIA	1		
18	DE30133	BEVEL GEAR, KIT	1		
19	DE19265	CYLINDRICAL ROLLER BEARING	4		
20	DE20107	DIPSTICK VENTED	1		
21	DE20509	SEAL	3		
22	U12547	O-RING, (-12 O-RING)	1		
23	54314	DRIVE SHAFT, T-TRANSMISSION	1		

Knife Drive Shaft, RH

XG396100

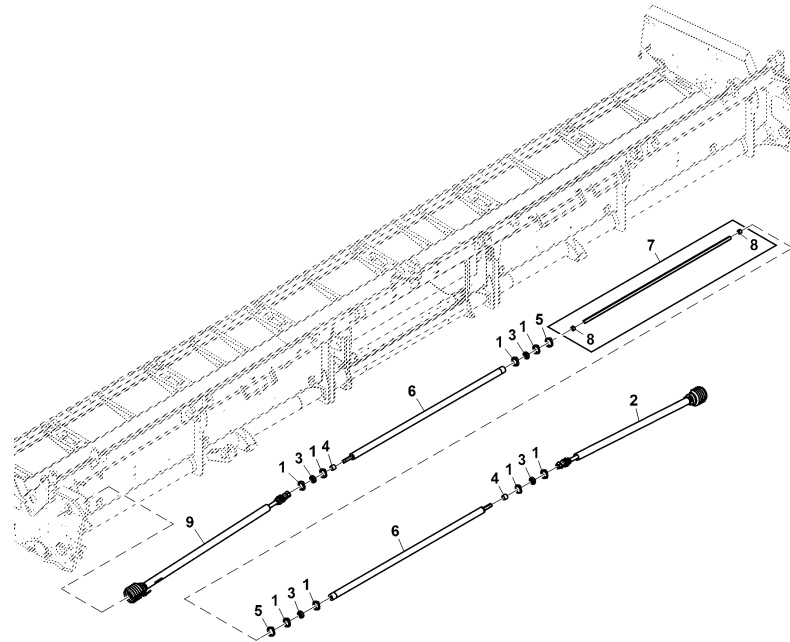


XG396100

Pos.	Artikel-Nr.	Benennung	Menge	Serial	No.
24	H103265	PRESSED FLANGED HOUSING, FLANGETTE-	2		
25	03M7191	BOLT, RD HD SQ SHORT NECK, METRIC	8		
26	14M7400	NUT, METRIC, HEX FL, SELF LOCKING	9		
27	H76961	PRESSED FLANGED HOUSING, FLANGE-BEA	2		
28	AXE12979	BALL BEARING, WIDE HEX ID	2		
29	AXE10240	ISOLATOR, ISOLATOR, TWO-PIECE MOUNT	2		
30	MT2491	WASHER, METALLIC FLAT	2		
31	A31870	LOCKNUT, HEX DEFLECTED THREAD M20	1		
32	HXE56969	BRACKET, 90 DEGREE GEARCASE, PLATE	1		
33	03M7200	BOLT, RD HD SQ SHORT NECK, METRIC	2		
34	14M7401	NUT, METRIC, HEX FL, SELF LOCKING	2		
35	19M7658	SCREW, HEX HEAD, METRIC	2		
36	HXE57162	PLATE, ISOLATOR REBOUND	1		
37	24M7242	WASHER, METALLIC, ROUND HOLE	1		
38	54165	PLATE	1		
39	03M7199	BOLT, RD HD SQ SHORT NECK, METRIC	4		
40	HXE74004	UNIVERSAL JOINT YOKE, ASABE 500-3 T	2		
41	AXE43113	UNIVERSAL JOINT CROSS, KNIFE DRIVE	2		

Top Shaft

XG335728

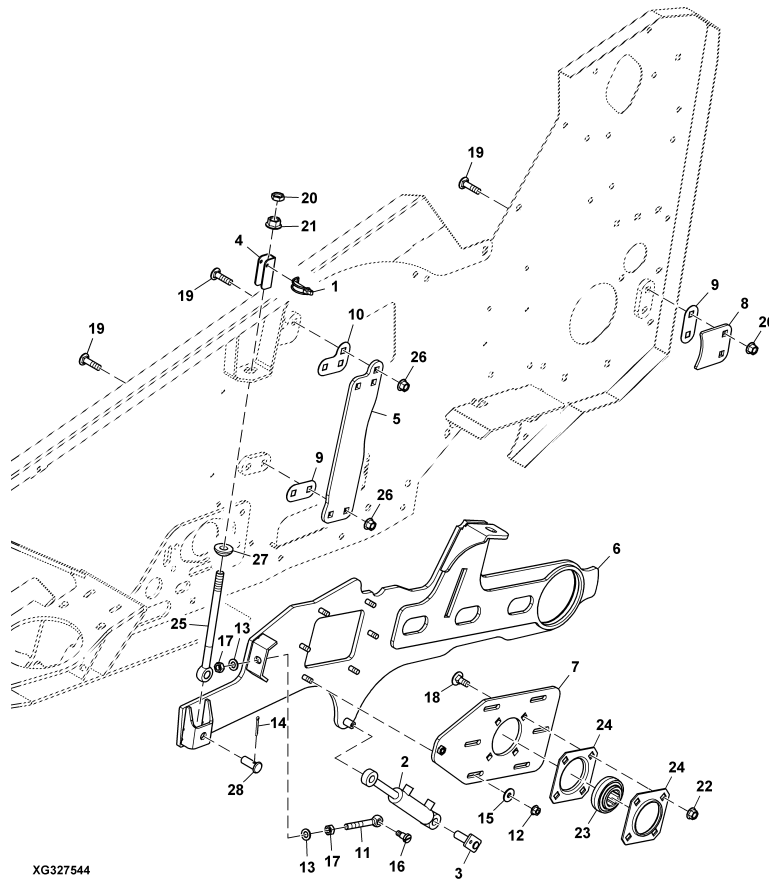


XG335728

Pos.	Artikel-Nr.	Benennung	Menge	Serial	No.
1	H76961	PRESSED FLANGED HOUSING, FLANGE-BEA	8		
2	AXE67379	UNIVERSAL DRIVESHAFT, TOP SHAFT HEX	1		
3	AXE12979	BALL BEARING, WIDE HEX ID	4		
4	54139	BUSHING	2		
5	HXE68200	PLATE, CENTER SHAFT SPACER	2		
6	AXE42209	DRIVE SHAFT, 28.58 HEX M X 28.65 HE	2		
7	AXE42201	DRIVE SHAFT, 28.58 HEX X 2074 W/COL	1		
8	H151427	COLLAR-DRIVE SHAFT LOCKING	2		
9	54547	UNIVERSAL DRIVE SHAFT	1		

Auger Mount, LH

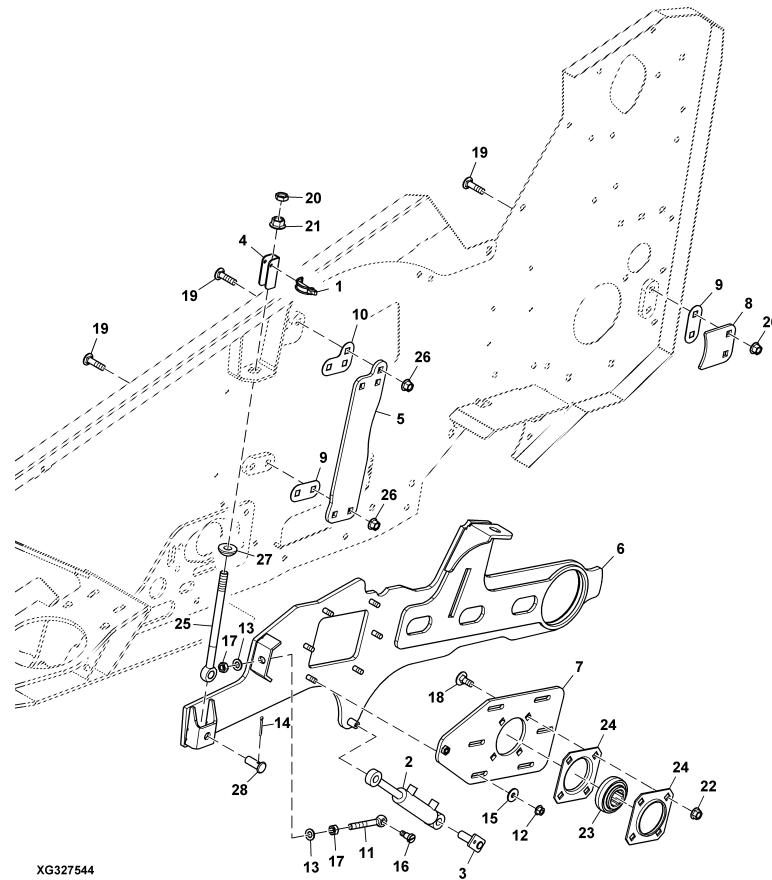
XG327544



Pos.	Artikel-Nr.	Benennung	Menge	Serial	No.
1	50371	TUBE LOCK	1		
2	50348	CYLINDER	1		
3	50353	PIN FASTENER	1		
4	50502	SAFETY SPACER 72 MM (ALL HEADERS MY	1		
5	54109	GUARD	1		
6	54115	ARM ASSEMBLY, LEFT	1		
7	54119	PLATE	1		
8	54124	PLATE, FIXING, ARM	1		
9	54125	SHIM	2		
10	54426	SHIM, GUIDANCE, ARM	1		
11	61654	SCREW, EYE	1		
12	70006	ÄHNL. DIN 6923 RATCHET TOOTHED NUT	6		
13	70076	DIN125 FLAT WASHER 13 MM, BLUE	2		
14	11M7023	PIN, COTTER	1		
15	70368	WASHER DIN9021 A10	6		
16	70871	SCREW, SHOULDER	1		
17	091664	NUT, METRIC HEX	2		
18	03M7089	BOLT, RD HD SQ LONG NECK, METRIC	4		
19	03M7201	BOLT, RD HD SQ SHORT NECK, METRIC	6		
20	14M7260	NUT, METRIC, THIN HEX	1		
21	14M7291	NUT, HEX FLANGE M16X2 JDS119 10 ZN	1		
22	14M7299	NUT, METRIC, HEX FLANGE	4		
23	AE37204	BALL BEARING	1		

Auger Mount, LH

XG327544

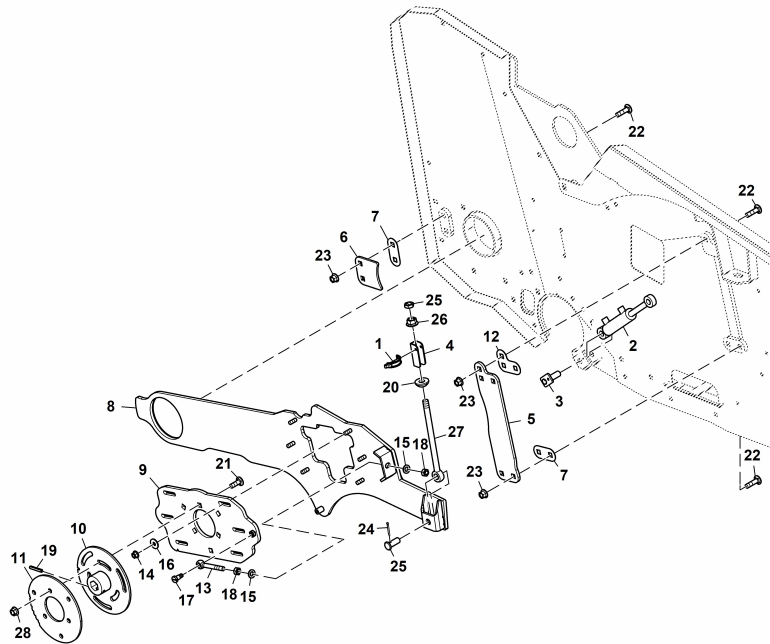


XG327544

Pos.	Artikel-Nr.	Benennung	Menge	Serial	No.
24	E62484	PRESSED FLANGED HOUSING	2		
25	H127583	EYEBOLT	1		
26	H137329	LOCK NUT, FLANGE LOCKNUT, DEFLECTED	6		
27	H178088	WASHER - WASHER BEVEL(SPECIAL)	1		
28	HXE75576	PIN FASTENER, ARM SUPPORT	1		

Auger Mount, RH

XG327545

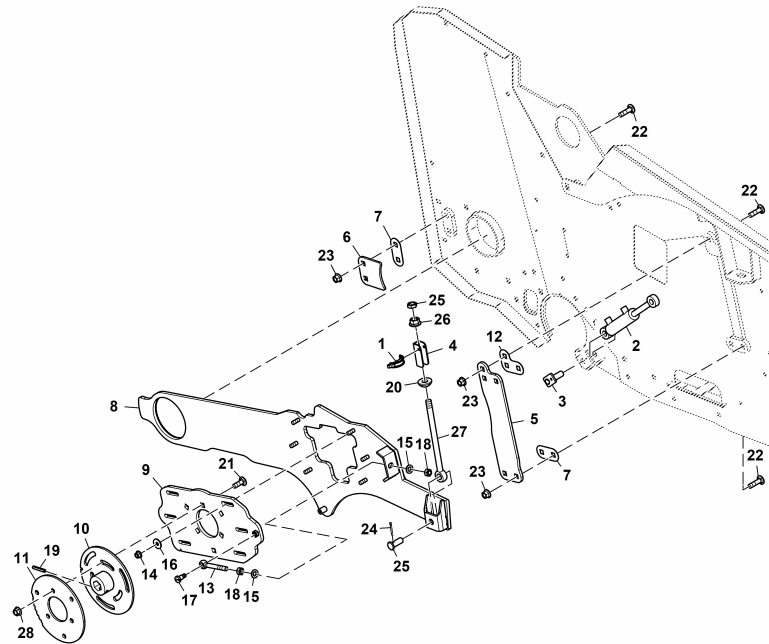


XG327545

Pos.	Artikel-Nr.	Benennung	Menge	Serial	No.
1	50371	TUBE LOCK	1		
2	50348	CYLINDER	1		
3	50353	PIN FASTENER	1		
4	50502	SAFETY SPACER 72 MM (ALL HEADERS MY	1		
5	54109	GUARD	1		
6	54124	PLATE, FIXING, ARM	1		
7	54125	SHIM	2		
8	54129	ARM ASSEMBLY, RIGHT	1		
9	54131	PLATE	1		
10	54132	SHIM, AUGER	1		
11	54133	PLATE, ADJUSTMENT	1		- 021050
11	54887	PLATE	1	021051 -	
12	54426	SHIM, GUIDANCE, ARM	1		
13	61654	SCREW, EYE	1		
14	70006	ÄHNL. DIN 6923 RATCHET TOOTHED NUT	6		
15	HXE75576	PIN FASTENER, ARM SUPPORT	1		
16	70368	WASHER DIN9021 A10	6		
17	70871	SCREW, SHOULDER	1		
18	091664	NUT, METRIC HEX	2		
19	14M7031	HEX NUT DIN934 M12 X 1 75 X 10	2		
19	091956	LINCH PIN	1		
19	34M7312	PIN, SPRING	1		
20	H178088	WASHER - WASHER BEVEL(SPECIAL)	1		

Auger Mount, RH

XG327545

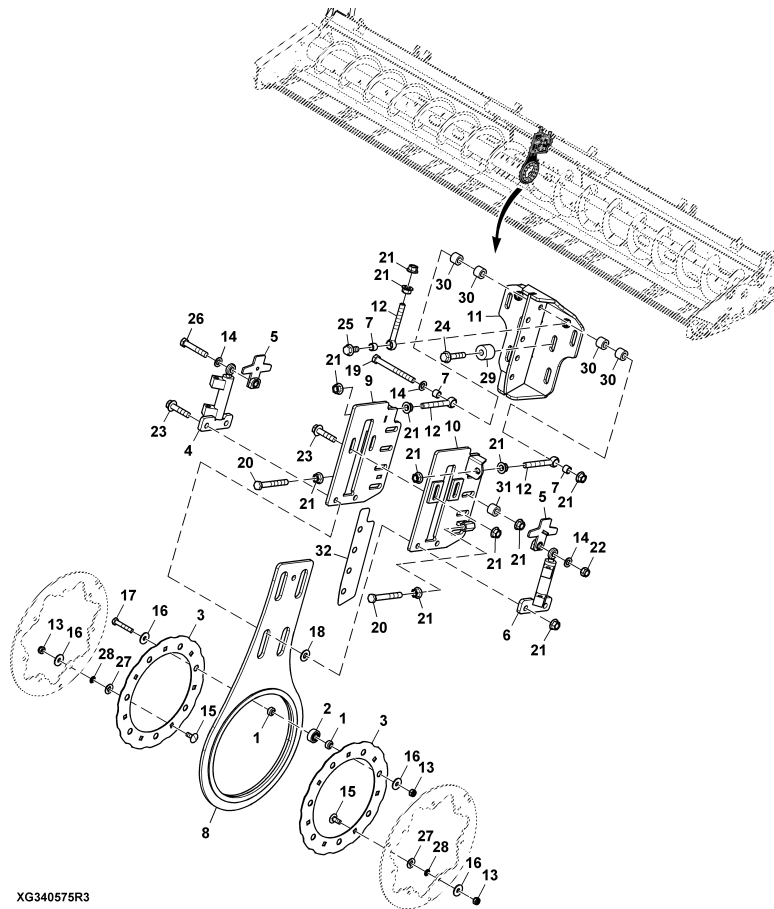


XG327545

Pos.	Artikel-Nr.	Benennung	Menge	Serial	No.
21	Z106092	BOLT-SPECIAL M12X40 RD HD SQ NCK	6		
22	03M7201	BOLT, RD HD SQ SHORT NECK, METRIC	6		
23	H137329	LOCK NUT, FLANGE LOCKNUT, DEFLECTED	6		
24	11M7023	PIN, COTTER	1		
25	14M7260	NUT, METRIC, THIN HEX	1		
26	14M7291	NUT,HEX FLANGE M16X2 JDS119 10 ZN	1		
27	H127583	EYEBOLT	1		
28	14M7299	NUT, METRIC, HEX FLANGE	6		

Auger Mount, Center

XG340575R3

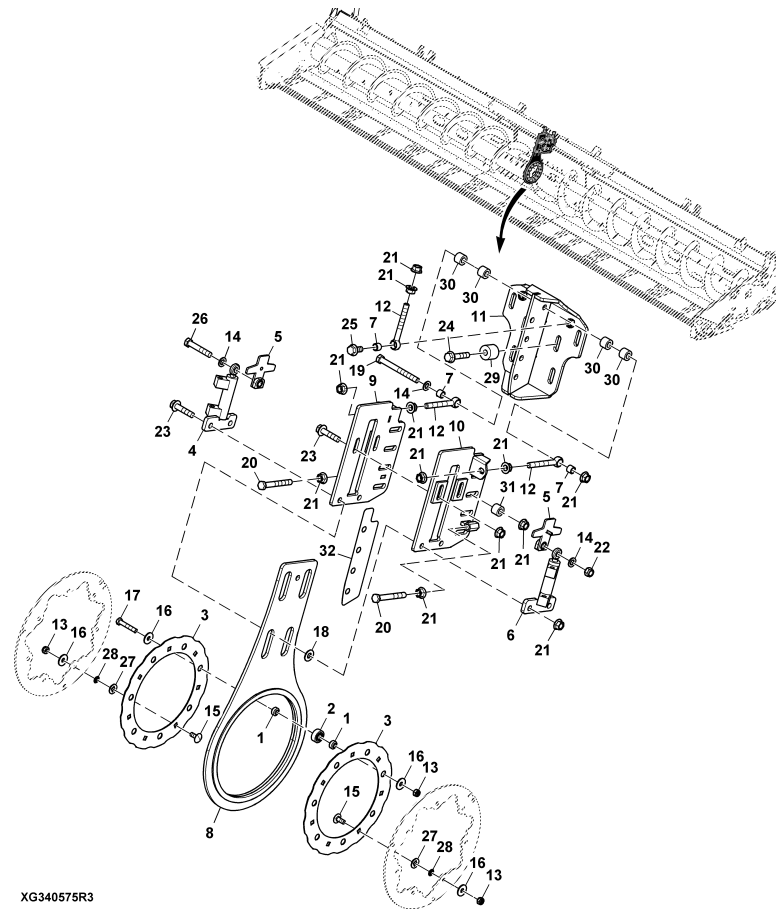


XG340575R3

Pos.	Artikel-Nr.	Benennung	Menge	Serial	No.
1	52202	SPACER	14		
2	52203	BEARING	7		
3	52460	PLATE SPRING, AUGER 760	2		
4	52702	HYDRAULIC CYLINDER, AUGER RH	1		
5	52771	SPACER CYLINDER	2		
6	52776	HYDRAULIC CYLINDER, AUGER, LH	1		
7	52784	SPACER EYE BOLT	4		
8	54233	ARM	1		
9	54402	PLATE, ADJUSTMENT, MIDDLE SUPPORT,	1		
10	54403	PLATE, ADJUSTMENT, MIDDLE SUPPORT,	1		
11	54404	ADJUSTMENT PLATE, VERTICAL, 35FT	1		
12	Z55702	AUGENSCHRAUBE	4		
13	14M7313	NUT, METRIC, HEX PREVAILING TORQUE	21		
14	70078	DIN125 FLAT WASHER 17 MM, BLUE	3		
15	03M7198	BOLT, RD HD SQ SHORT NECK, METRIC	14		
16	24M7180	WASHER, METALLIC, ROUND HOLE	27		
17	19M7753	SCREW, HEX HEAD, METRIC	7		
18	52777	SPACER GUIDE PLATE	4		
19	093694	BOLT	1		
20	096384	BOLT	2		
21	14M7291	NUT,HEX FLANGE M16X2 JDS119 10 ZN	19		
22	14M7328	NUT, METRIC, HEX PREVAILING TORQUE	1		
23	19M7826	SCREW, FLANGED, METRIC	4		

Auger Mount, Center

XG340575R3

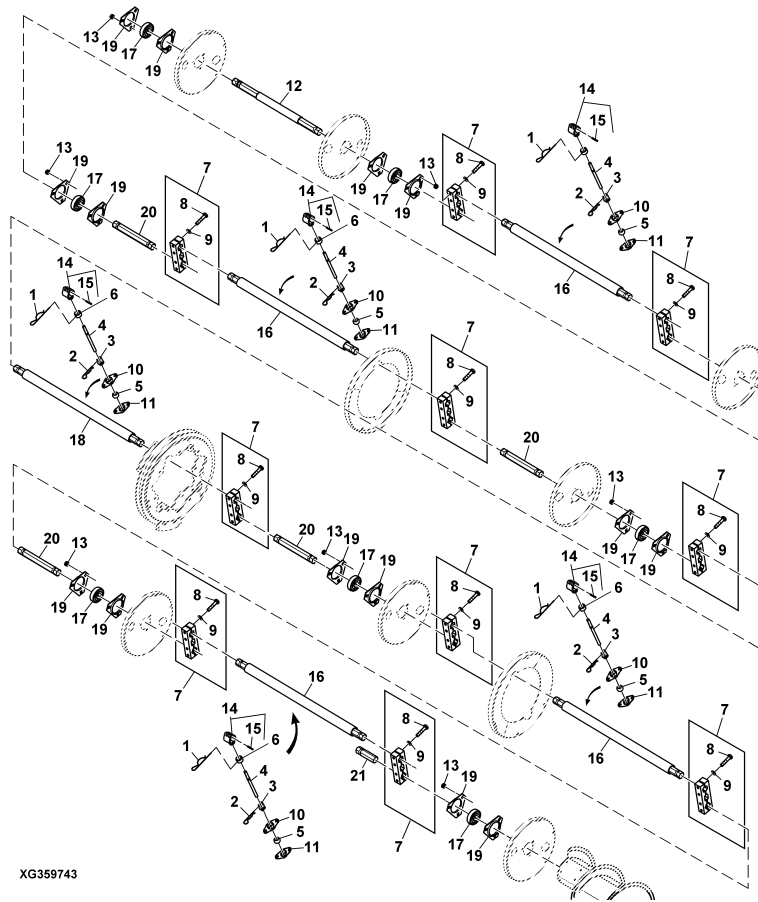


XG340575R3

Pos.	Artikel-Nr.	Benennung	Menge	Serial	No.
24	19M7827	SCREW, FLANGED, METRIC	6		
25	19M7843	SCREW, FLANGED, METRIC	2		
26	097095	BOLT	1		
27	24H1744	WASHER, METALLIC, SQUARE HOLE	14		
28	H143731	PUSH NUT, M12	14		
29	HXE95430	SPACER, BUSHING SPLIT AUGER	6		
30	Z103881	SPACER	4		
31	H84374	BUSHING, SPACER-WHEEL MOUNTING	8		
32	54315	SHIM, 1MM	1		

Auger Fingers

XG359743

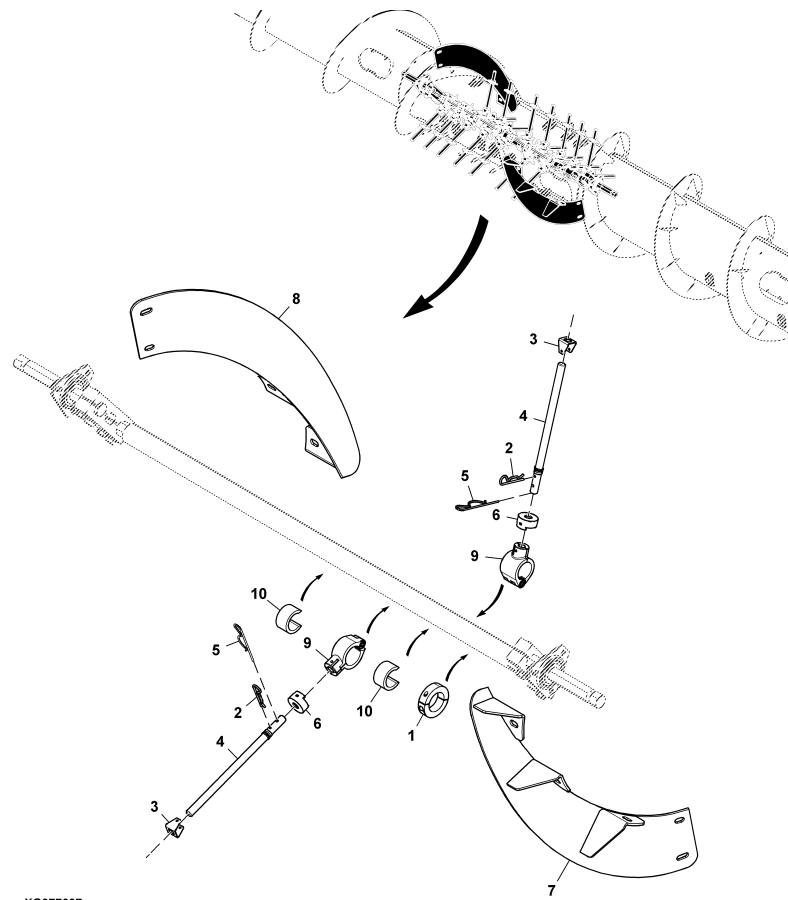


XG359743

Pos.	Artikel-Nr.	Benennung	Menge	Serial	No.
1	H169913	RETAINER-PIN	30		
2	28316	SPRING LOCKING PIN	30		
3	52334	RETAINER	30		
4	52336	FINGER	30		
5	52347	GUIDE, BALL FINGER	30		
6	H169912	RETAINER, AUGER BEARING CAP	30		
7	53365	CRANK	10		
8	093391	BOLT	40		
9	093297	WASHER	40		
10	53369	GUIDE, FINGER OUTSIDE	30		
11	53370	GUIDE, FINGER INSIDE	30		
12	54262	SHAFT, AUGER FINGER, RIGHT	1		
13	70021	DIN 985 HEXAGON NUT M10, BLUE	7		
14	AH171602	BEARING, BEARING-FINGER	30		
15	H171190	PIN, FINGER BEARING	30		
16	54555	CONTROL SHAFT	4		
17	AN102010	BALL BEARING, BEARING ASSY-BALL	7		
18	AXE58358	BAR, ASS'Y, CENTER	1		
19	H161529	PRESSED FLANGED HOUSING, HOUSING, P	14		
20	54476	BAR	4		
21	H169045	SHAFT-STUB, L.H.	1		

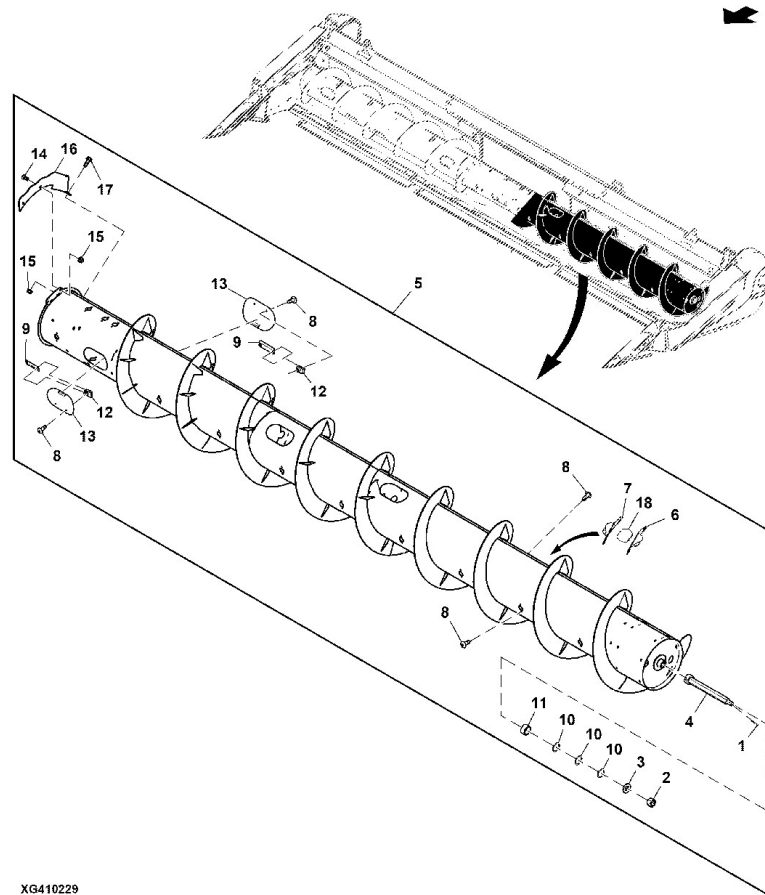
Auger Flights and Fingers

XG377097



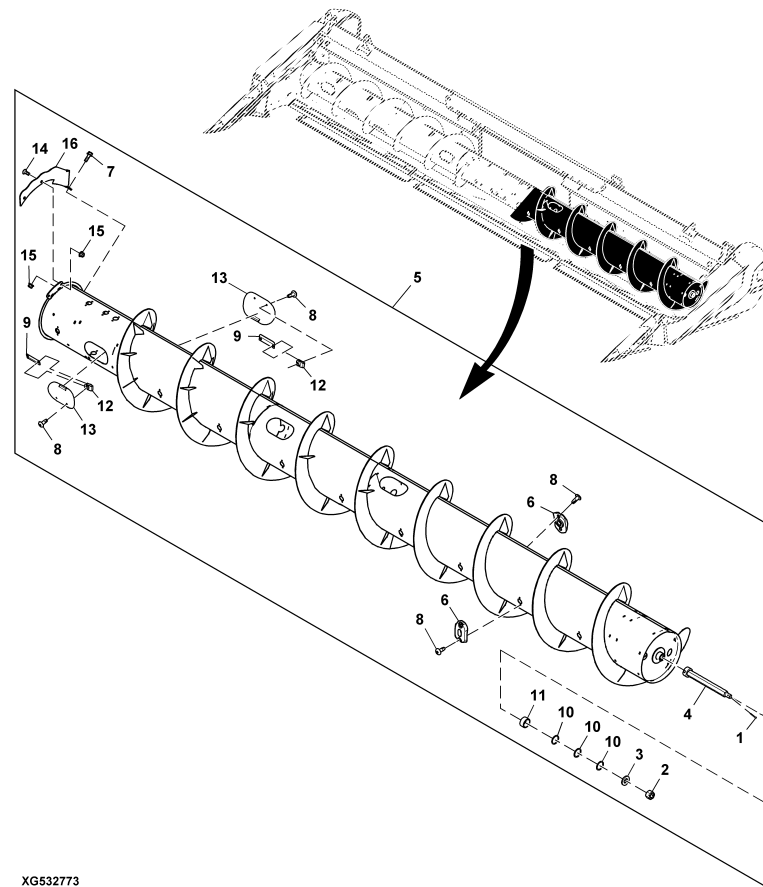
XG377097

Pos.	Artikel-Nr.	Benennung	Menge	Serial	No.
1	53842	CLAMP	4		- 21150
1	096925	LOCKING COLLAR	4	021151 -	
2	28316	SPRING LOCKING PIN	16		
3	52334	RETAINER	16		
4	52336	FINGER	16		
5	H169913	RETAINER-PIN	16		
6	53327	BUSHING	16		- 21150
7	54386	FLIGHT, EXTENSION, LEFT	1		
8	54381	FLIGHT, EXTENSION, RIGHT	1		
9	53803	BEARING	16		- 21150
9	54361	GUIDE	16	021151 -	
10	53812	SPACER	4		

Auger, LH (- 021299)


XG410229

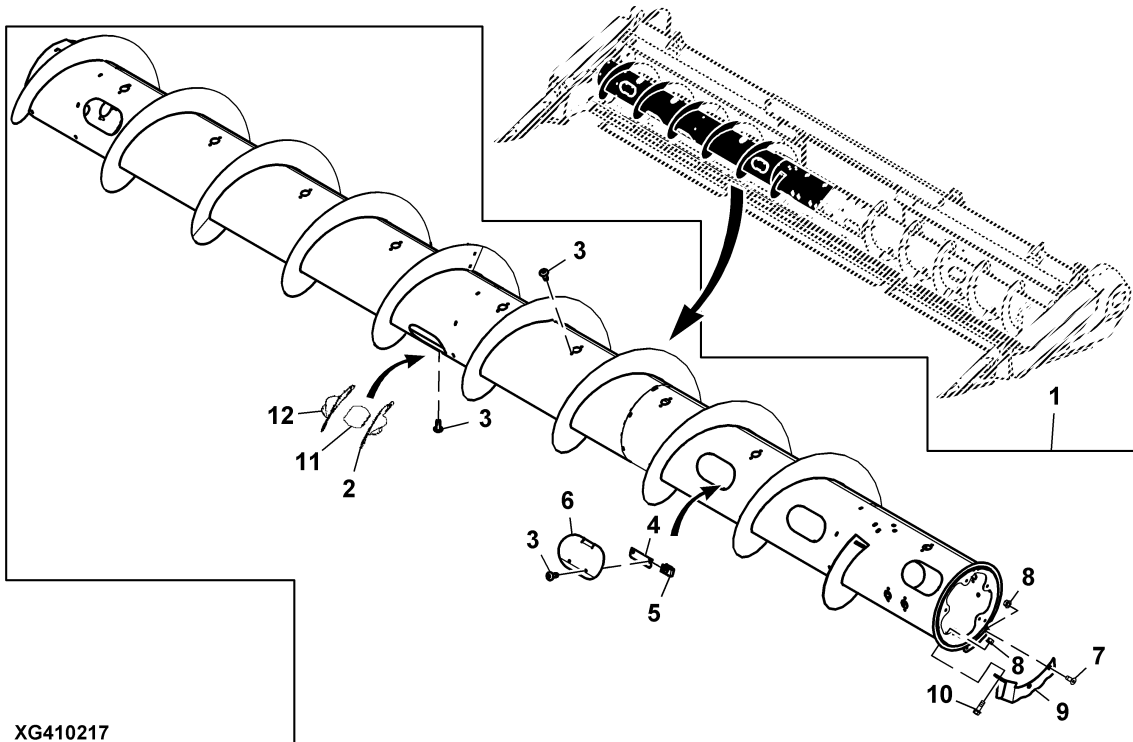
Pos.	Artikel-Nr.	Benennung	Menge	Serial	No.
1	11M7030	PIN, COTTER	1		
2	14M7189	NUT, METRIC HEX SLOTTED	1		
3	24M7243	WASHER, METALLIC, ROUND HOLE	1		
4	AH206707	SHAFT,DRIVE ASSY, AUGER	1		
5	54736	AUGER LEFT	1		
6	53370	GUIDE, FINGER INSIDE	26		
7	53369	GUIDE, FINGER OUTSIDE	26		
8	H201027	SCREW- BUTTON HEAD ROLLING THRD	70		
9	H203898	PLATE, AUGER COVER	9		
10	HXE71023	WASHER, WASHER	3		
11	HXE71959	BUSHING, BUSHING	1		
12	M84971	NUT, CLIP NUT, M8	18		
13	Z105015	COVER HAND HOLE	9		
14	19M5055	SCREW, HEX FLAT CTSK HEAD, METRIC	2		
15	14M7518	NUT, METRIC, HEX FL, SELF LOCKING	3		
16	53549	SHEET	1		
17	19M7786	SCREW, FLANGED, METRIC	1		
18	52347	GUIDE, BALL FINGER	26		

Auger, LH (021300 -)


XG532773

Pos.	Artikel-Nr.	Benennung	Menge	Serial	No.
1	11M7030	PIN, COTTER	1		
2	14M7189	NUT, METRIC HEX SLOTTED	1		
3	24M7243	WASHER, METALLIC, ROUND HOLE	1		
4	AH206707	SHAFT,DRIVE ASSY, AUGER	1		
5	54736	AUGER LEFT	1		
6	54360	FINGER GUIDE	26		
7	19M7786	SCREW, FLANGED, METRIC	1		
8	H201027	SCREW- BUTTON HEAD ROLLING THRD	70		
9	H203898	PLATE, AUGER COVER	9		
10	HXE71023	WASHER, WASHER	3		
11	HXE71959	BUSHING, BUSHING	1		
12	M84971	NUT, CLIP NUT, M8	18		
13	Z105015	COVER HAND HOLE	9		
14	19M5055	SCREW, HEX FLAT CTSK HEAD, METRIC	2		
15	14M7518	NUT, METRIC, HEX FL, SELF LOCKING	3		
16	53549	SHEET	1		

Auger, RH (- 021299)

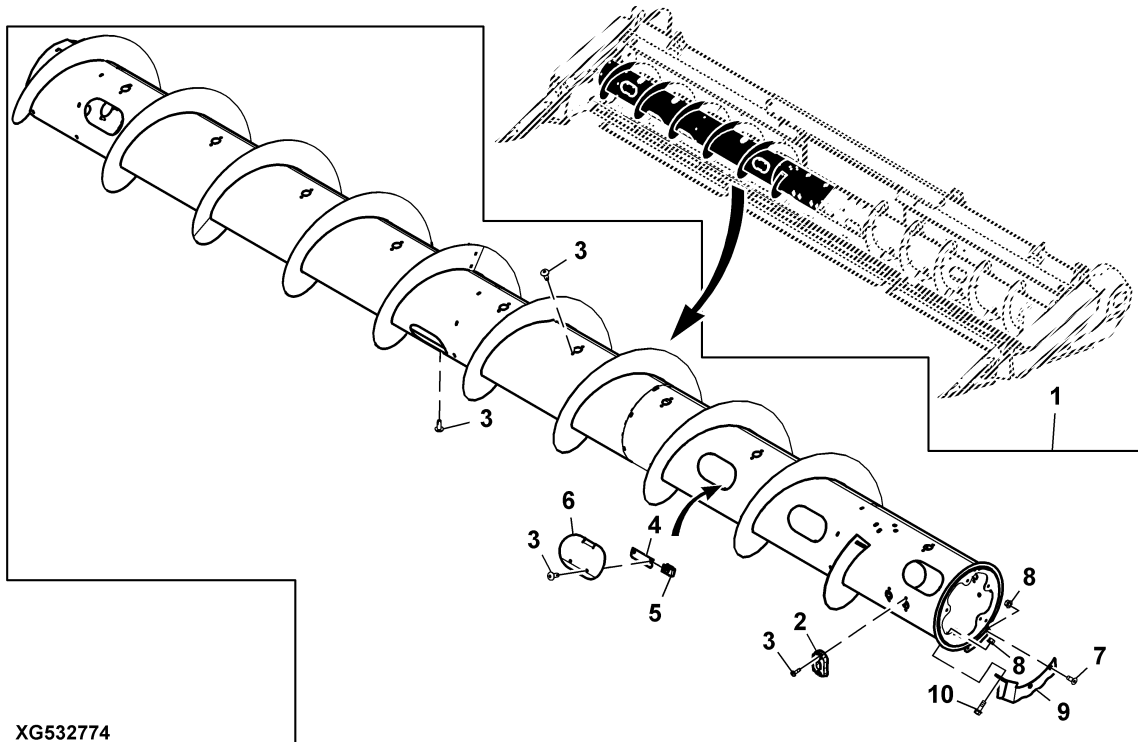


XG410217

Pos.	Artikel-Nr.	Benennung	Menge	Serial	No.
1	54735	AUGER RIGHT	1		
2	53369	GUIDE, FINGER OUTSIDE	26		
3	H201027	SCREW- BUTTON HEAD ROLLING THRD	72		
4	H203898	PLATE, AUGER COVER	10		
5	M84971	NUT, CLIP NUT, M8	20		
6	Z105015	COVER HAND HOLE	10		
7	19M5055	SCREW, HEX FLAT CTSK HEAD, METRIC	2		
8	14M7518	NUT, METRIC, HEX FL, SELF LOCKING	3		
9	53550	SHEET	1		
10	19M7786	SCREW, FLANGED, METRIC	1		
11	52347	GUIDE, BALL FINGER	26		
12	53370	GUIDE, FINGER INSIDE	26		

Auger, RH (021300 -)

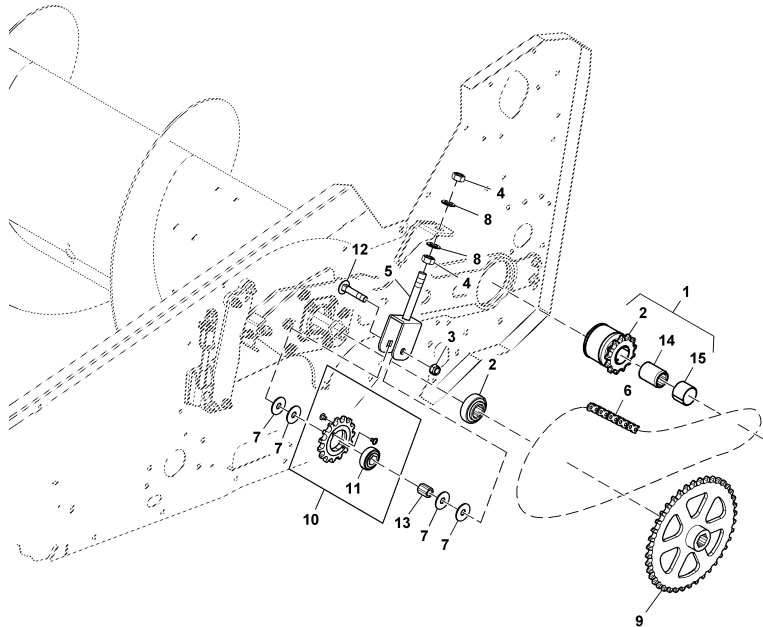
XG532774



Pos.	Artikel-Nr.	Benennung	Menge	Serial	No.
1	55002	AUGER RIGHT	1		
2	54360	FINGER GUIDE	26		
3	H201027	SCREW- BUTTON HEAD ROLLING THRD	72		
4	H203898	PLATE, AUGER COVER	10		
5	M84971	NUT, CLIP NUT, M8	20		
6	Z105015	COVER HAND HOLE	10		
7	19M5055	SCREW, HEX FLAT CTSK HEAD, METRIC	2		
8	14M7518	NUT, METRIC, HEX FL, SELF LOCKING	3		
9	53550	SHEET	1		
10	19M7786	SCREW, FLANGED, METRIC	1		

Bearings and Chain Tensioner for Auger Drive, Standard

XG327542R1

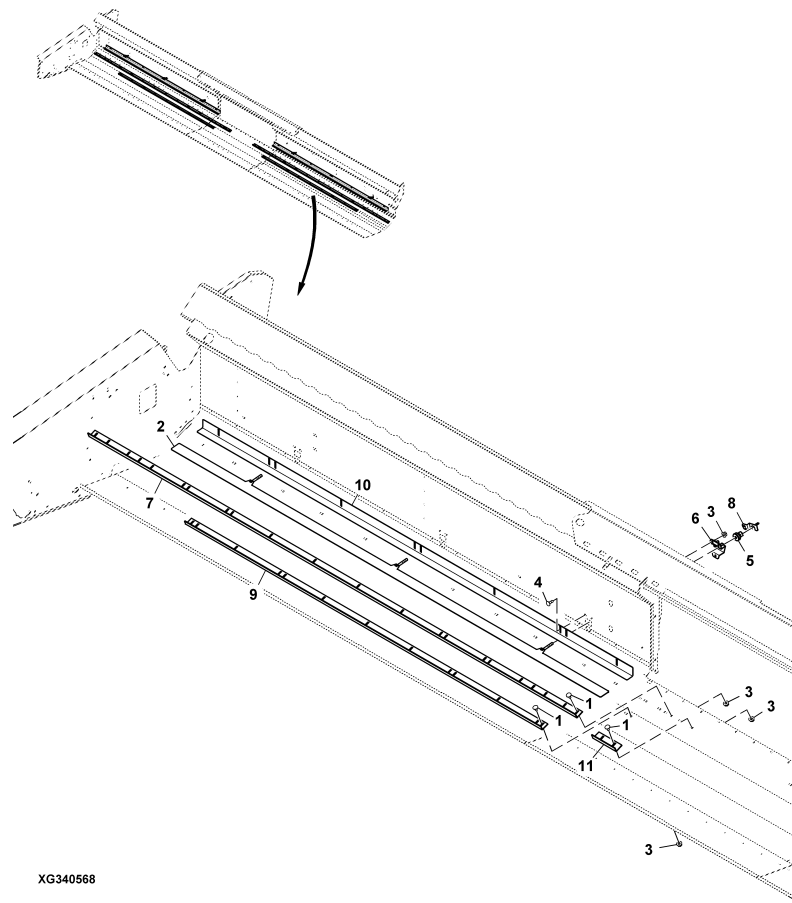


XG327542R1

Pos.	Artikel-Nr.	Benennung	Menge	Serial	No.
1	AXE62995	SLIP CLUTCH, WELDED COMPACT AUTOMA	2		
2	AXE64401	SLIP CLUTCH, WELDED COMPACT AUTOMA	2		
3	14M7328	NUT, METRIC, HEX PREVAILING TORQUE	1		
4	091666	HEXAGONAL NUT DIN934 M20	1		
5	54111	BRACKET, CHAIN TENSIONER	1		
6	54121	CHAIN 80H	1		
7	70367	WASHER DIN9021 A16	4		
8	091686	WASHER DIN125 B22	2		
9	52474	CHAIN SPROCKET	1		
10	52486	IDLER SPROCKET	1		
11	JD9313	BALL BEARING, BEARING HEX BORE	1		
12	093644	LOCK SCREW DIN603 M16X80	1		
13	52514	BUSHING	1		
14	HXE115655	BUSHING, BUSHING SPROCKET SUPPORT S	1		
15	AXE43905	BUSHING, SLIDING BUSHING SLIP CLUTC	1		

Strippers and Supports, Frame

XG340568

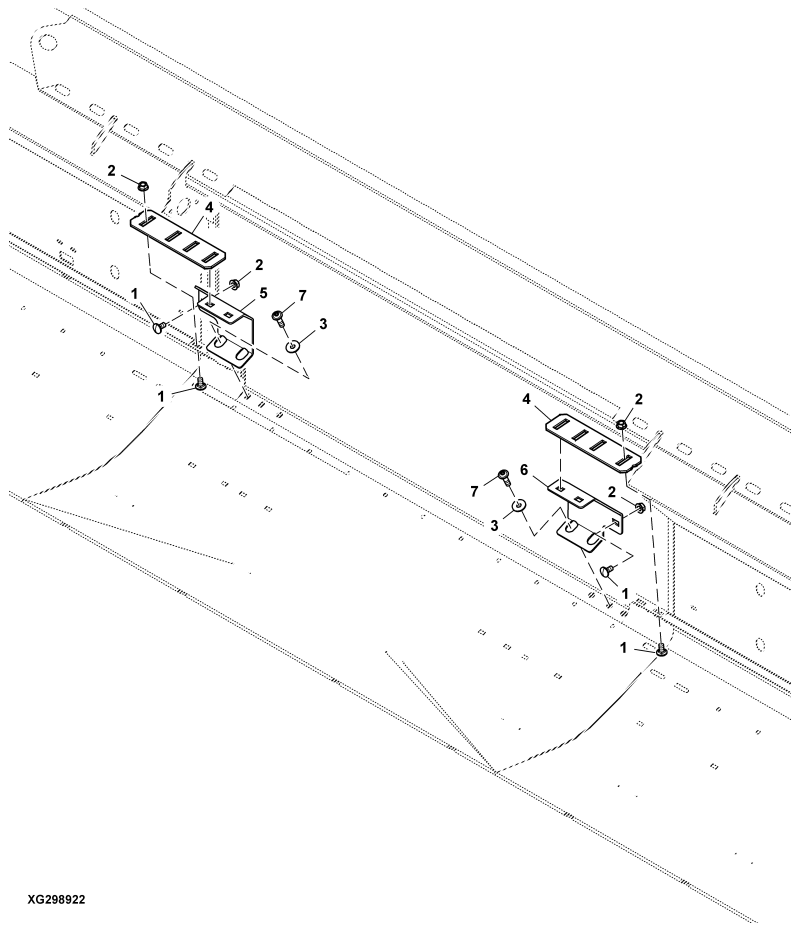


XG340568

Pos.	Artikel-Nr.	Benennung	Menge	Serial	No.
1	03M7183	BOLT, RD HD SQ SHORT NECK, METRIC	50		
2	53547	STRIPPER, 725PF	2		
3	14M7298	NUT, METRIC, HEX FLANGE	62		
4	03M7185	BOLT, RD HD SQ SHORT NECK, METRIC	12		
5	HXE54823	ADJUSTER, ADJUSTABLE STRIPPER	4		
6	52452	SUPPORT ADJUSTING NUT	4		
7	53545	STRIPPER, REAR 725PF	2		
8	52177	BRACKET ADJUSTING NUT	4		
9	53546	STRIPPER, FRONT 725PF	2		
10	HXE54920	SUPPORT, STRIPPER SUPPORT TOP ANGLE	2		
11	52940	STRIPPER EXTENSION	2		

Strippers Feeder House Extension for S Series

XG298922

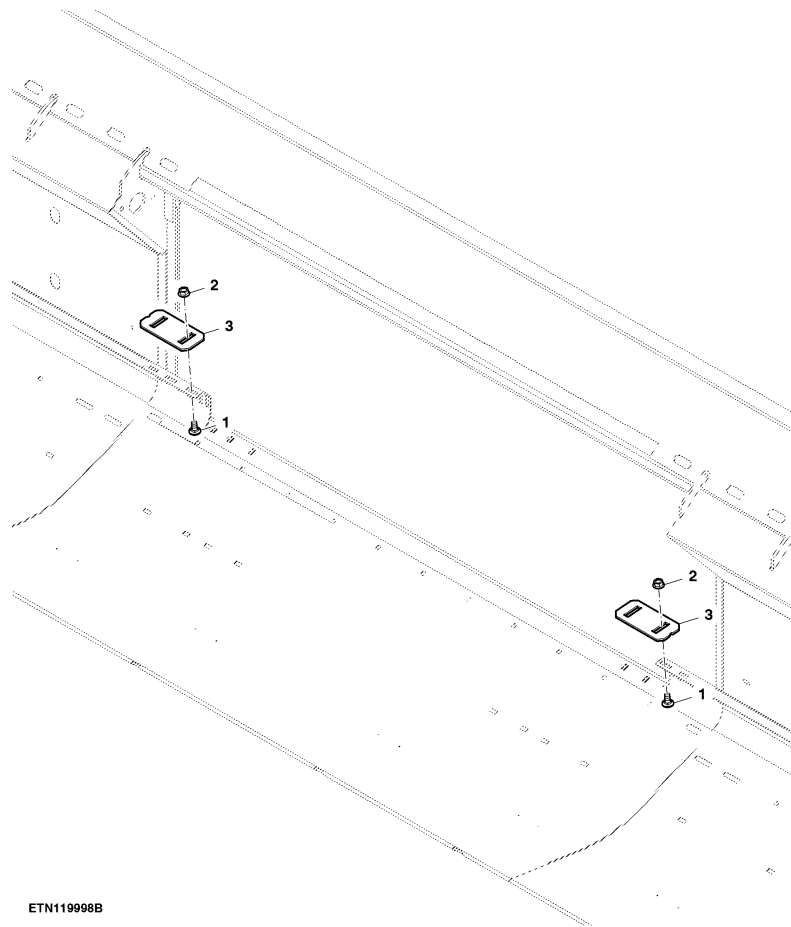


XG298922

Pos.	Artikel-Nr.	Benennung	Menge	Serial	No.
1	03M7183	BOLT, RD HD SQ SHORT NECK, METRIC	10		
2	14M7298	NUT, METRIC, HEX FLANGE	10		
3	24M7207	WASHER, METALLIC, ROUND HOLE	4		
4	HXE96301	STRIPPER, S SERIES CONFIGURATION	2		
5	HXE74260	BRACKET, REAR STRIPPER FH EXTENSION	1		
6	HXE74261	BRACKET, REAR STRIPPER FH EXTENSION	1		
7	HXE71867	BOLT, BUTTON HEAD W/ TORX M8 X 1.25	4		

Strippers Feeder House Extension for 6 Walker

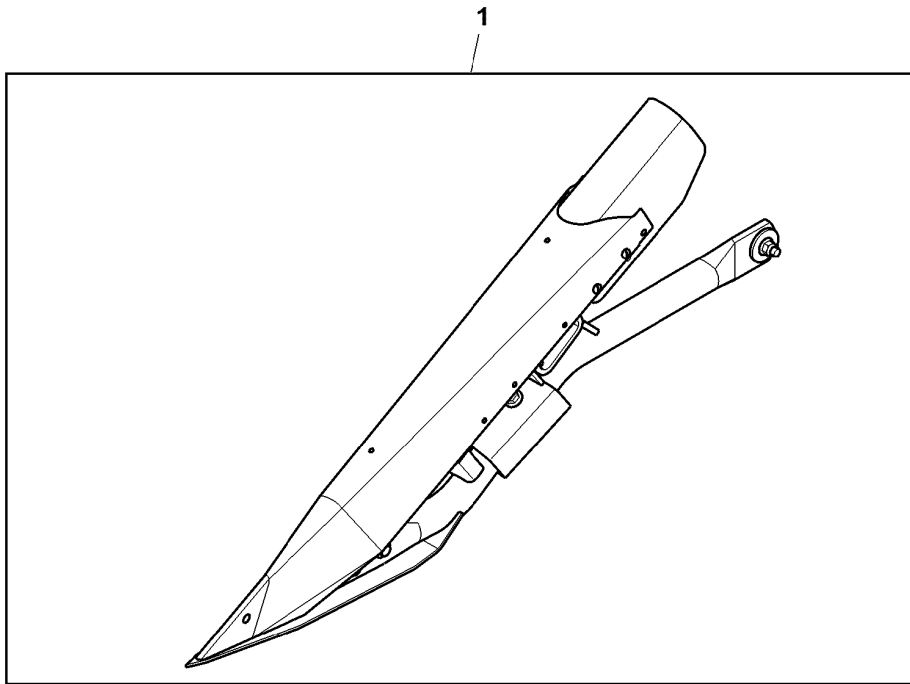
ETN119998B



Pos.	Artikel-Nr.	Benennung	Menge	Serial	No.
1	03M7183	BOLT, RD HD SQ SHORT NECK, METRIC	4		
2	14M7298	NUT, METRIC, HEX FLANGE	4		
3	HXE96292	STRIPPER, 6 WALKER CONFIGURATION	2		

Attachment, Foldable Crop Divider, Short, LH

BXE10519

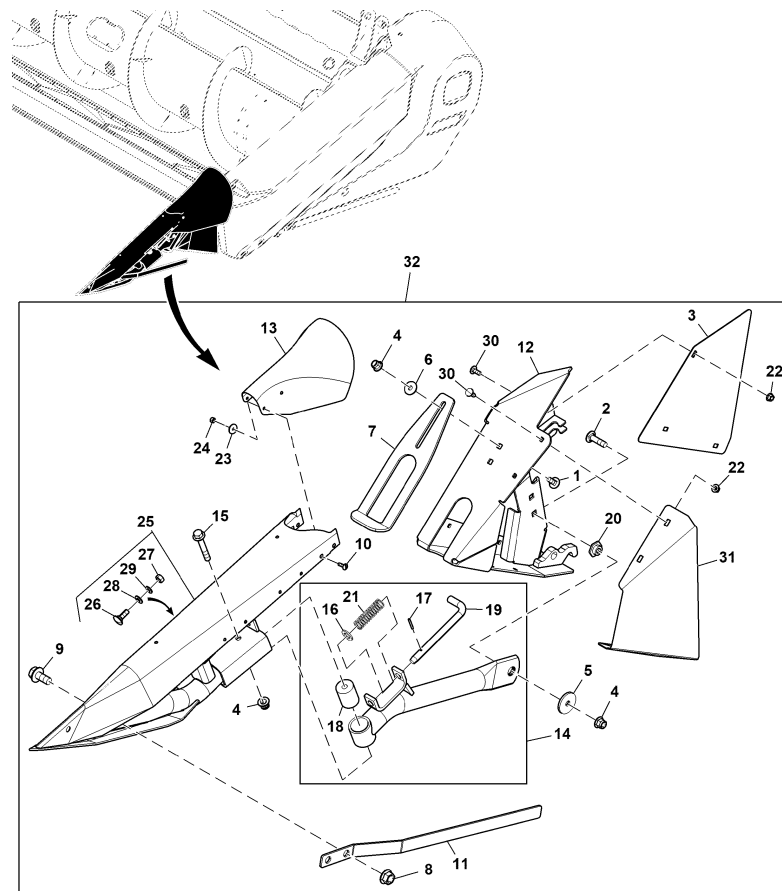


BXE10519

Pos.	Artikel-Nr.	Benennung	Menge	Serial	No.
1	BXE10519	CROP DIVIDER, DIVIDER SHORT FOLDABL	1		

Foldable Crop Divider, Short, LH

ETN91144GR3

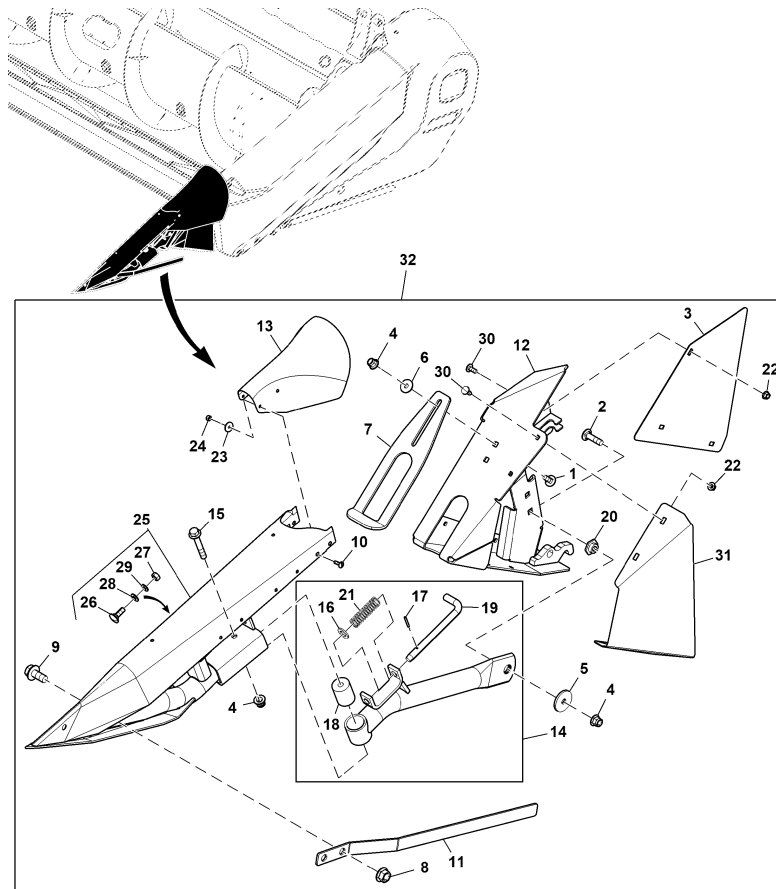


ETN91144GR3

Pos.	Artikel-Nr.	Benennung	Menge	Serial	No.
1	03M7191	BOLT, RD HD SQ SHORT NECK, METRIC	2		
2	03M7201	BOLT, RD HD SQ SHORT NECK, METRIC	1		
3	HXE75637	SHEET, DIVIDER COVER	1		
4	14M7401	NUT, METRIC, HEX FL, SELF LOCKING	4		
5	24H1347	WASHER, METALLIC, ROUND HOLE	2		
6	24M7178	WASHER, METALLIC, ROUND HOLE	2		
7	HXE67354	BRACKET, DIVIDER PIVOT ADJUSTMENT	1		
8	14M7291	NUT, HEX FLANGE M16X2 JDS119 10 ZN	2		
9	19M7843	SCREW, FLANGED, METRIC	2		
10	21M7455	SCREW	4		
11	HXE68953	DEFLECTOR, DEFLECTOR CROP DIVIDER	1		
12	AXE43918	GUIDE, FOR CROP DIVIDER LH	1		
13	HXE90004	DEFLECTOR, DIVIDER EXTENSION LH	1		
14	AXE67090	TUBE, TUBE ASS'Y DIVIDER PIVOT COMP	1		
15	19M7818	SCREW, FLANGED, METRIC	1		
16	24M7049	WASHER, METALLIC, ROUND HOLE	1		
17	34M3853	PIN, SPRING	1		
18	H173173	BUSHING, BUSHING, HINGE	1		
19	H173180	PIN, LATCH	1		
20	Z79399	BUSHING DEVIDER PIVOT	1		
21	HXE122637	COMPRESSION SPRING, SPRING-COMPRESS	1		
22	14M7298	NUT, METRIC, HEX FLANGE	7		
23	24M7100	WASHER, METALLIC, ROUND HOLE	4		

Foldable Crop Divider, Short, LH

ETN91144GR3

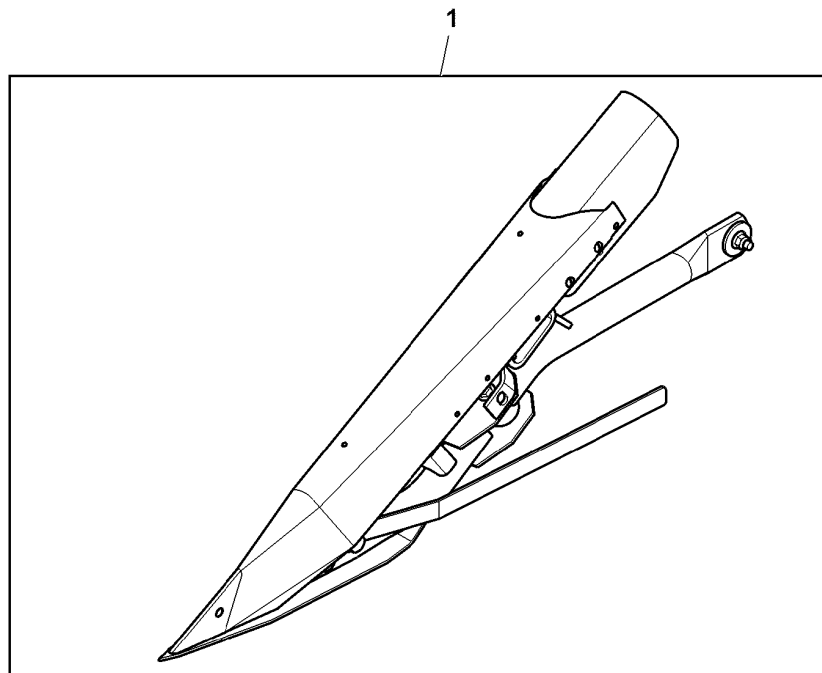


ETN91144GR3

Pos.	Artikel-Nr.	Benennung	Menge	Serial	No.
24	14M7528	NUT, METRIC, HEX PREVAILING TORQUE	4		
25	AXE43899	CROP DIVIDER, DIVIDER ASSY SHORT FO	1		
26	03M7085	BOLT, RD HD SQ LONG NECK, METRIC	1		
27	14M7274	NUT, METRIC, HEX	1		
28	24M7040	WASHER, METALLIC, ROUND HOLE	1		
29	12M7013	RONDELLE FREIN	1		
30	03M7184	BOLT, RD HD SQ SHORT NECK, METRIC	7		
31	54307	GURAD, LEFT OUTSIDE	1		
32	54510	CROP DIVIDER LH	1		

Attachment, Foldable Crop Divider, Short, RH

BXE10520

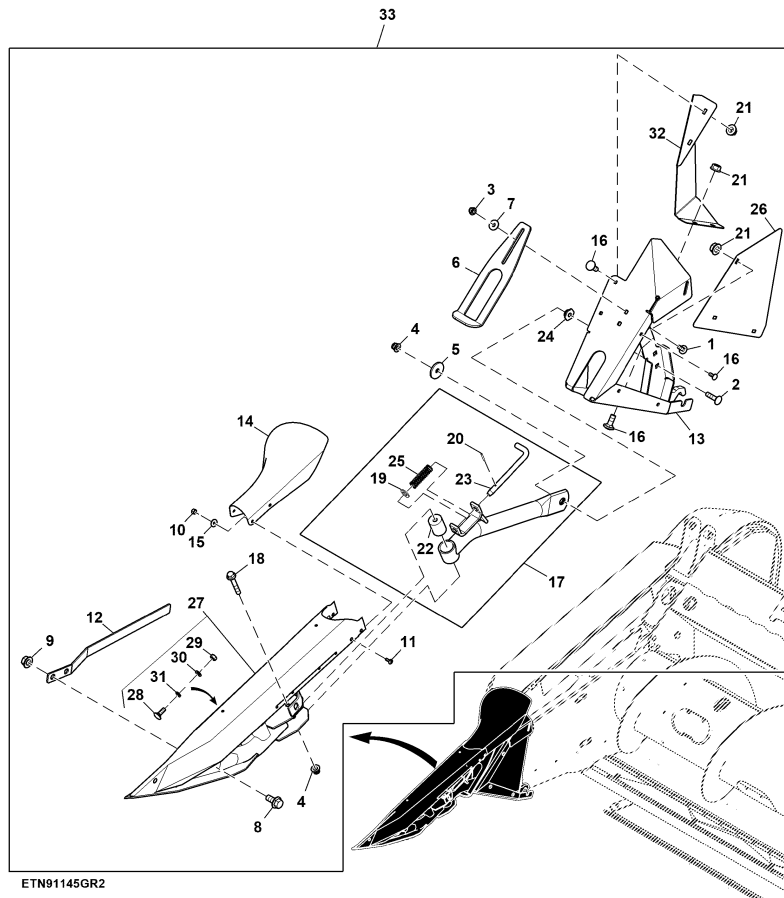


BXE10520

Pos.	Artikel-Nr.	Benennung	Menge	Serial	No.
1	BXE10520	CROP DIVIDER, DIVIDER SHORT FOLDABL	1		

Foldable Crop Divider, Short, RH

ETN91145GR2

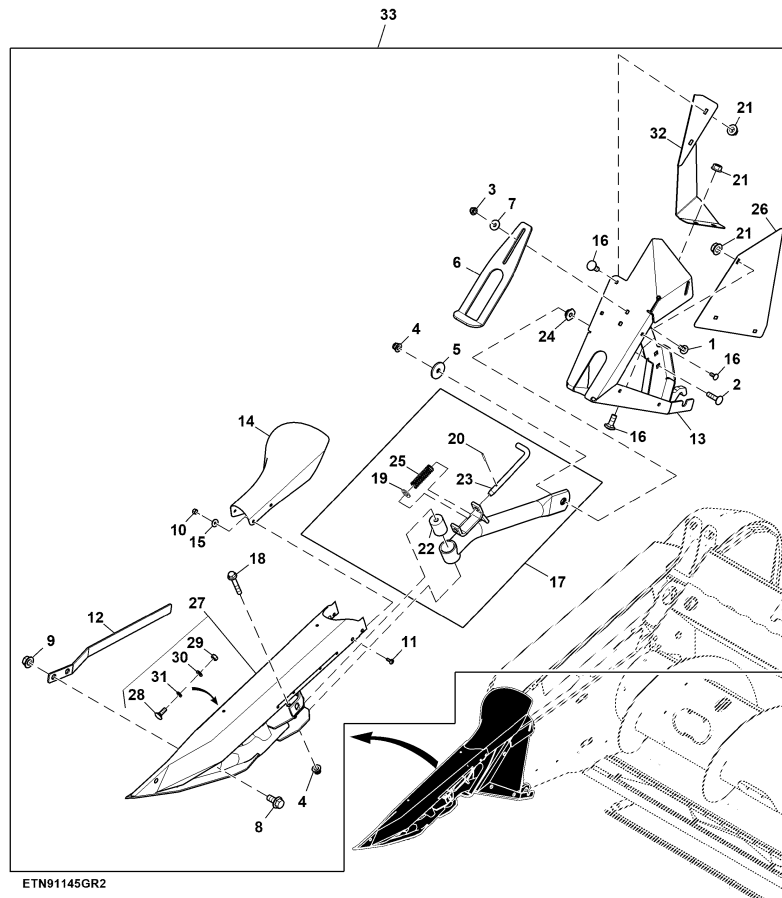


ETN91145GR2

Pos.	Artikel-Nr.	Benennung	Menge	Serial	No.
1	03M7191	BOLT, RD HD SQ SHORT NECK, METRIC	2		
2	03M7201	BOLT, RD HD SQ SHORT NECK, METRIC	1		
3	14M7296	NUT, METRIC, HEX FLANGE	2		
4	14M7401	NUT, METRIC, HEX FL, SELF LOCKING	2		
5	24H1347	WASHER, METALLIC, ROUND HOLE	2		
6	HXE67354	BRACKET, DIVIDER PIVOT ADJUSTMENT	1		
7	24M7178	WASHER, METALLIC, ROUND HOLE	2		
8	19M7843	SCREW, FLANGED, METRIC	2		
9	14M7291	NUT,HEX FLANGE M16X2 JDS119 10 ZN	2		
10	14M7528	NUT, METRIC, HEX PREVAILING TORQUE	4		
11	21M7455	SCREW	4		
12	HXE68953	DEFLECTOR, DEFLECTOR CROP DIVIDER	1		
13	AXE43925	GUIDE, FOR CROP DIVIDER RH	1		
14	HXE90498	DEFLECTOR, DIVIDER EXTENSION RH	1		
15	24M7100	WASHER, METALLIC, ROUND HOLE	4		
16	03M7184	BOLT, RD HD SQ SHORT NECK, METRIC	7		
17	AXE67090	TUBE, TUBE ASS'Y DIVIDER PIVOT COMP	1		
18	19M7818	SCREW, FLANGED, METRIC	1		
19	24M7049	WASHER, METALLIC, ROUND HOLE	1		
20	34M3853	PIN, SPRING	1		
21	14M7298	NUT, METRIC, HEX FLANGE	7		
22	H173173	BUSHING, BUSHING, HINGE	1		
23	H173180	PIN, LATCH	1		

Foldable Crop Divider, Short, RH

ETN91145GR2

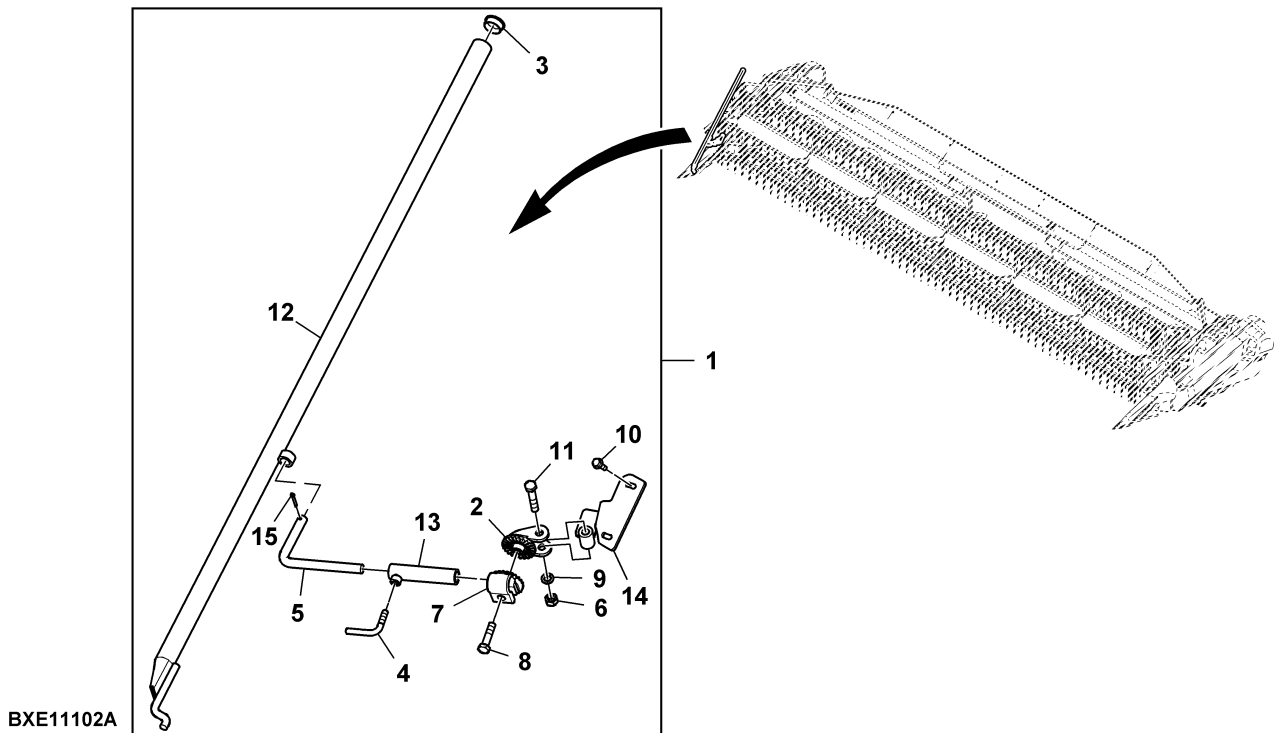


ETN91145GR2

Pos.	Artikel-Nr.	Benennung	Menge	Serial	No.
24	Z79399	BUSHING DEVIDER PIVOT	1		
25	HXE122637	COMPRESSION SPRING, SPRING-COMPRESS	1		
26	HXE75637	SHEET, DIVIDER COVER	1		
27	AXE43900	CROP DIVIDER, DIVIDER ASSY SHORT FO	1		
28	03M7085	BOLT, RD HD SQ LONG NECK, METRIC	1		
29	14M7274	NUT, METRIC, HEX	1		
30	24M7040	WASHER, METALLIC, ROUND HOLE	1		
31	12M7013	RONDELLE FREIN	1		
32	54309	GUARD, RIGHT OUTSIDE	1		
33	54509	CROP DIVIDER RH	1		

Crop Divider Extension, Attachment

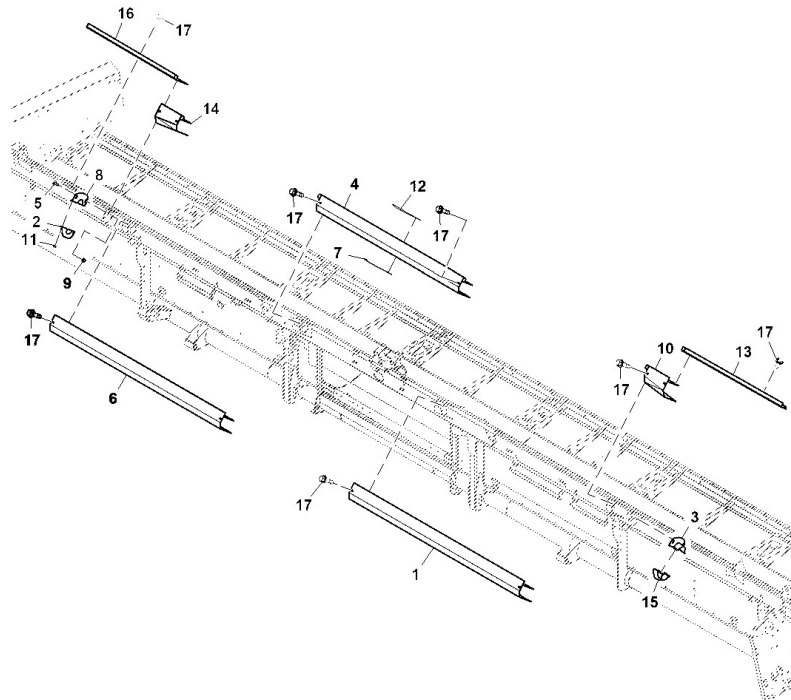
BXE11102A



Pos.	Artikel-Nr.	Benennung	Menge	Serial	No.
1	BXE11102	CROP DIVIDER, CROP DIVIDER EXTENSIO	1		
2	Z10173	ADJUSTER	1		
3	99M7056	PLUG	1		
4	Z21294	SET SCREW, SET SCREW	1		
5	HXE128644	ROD, ROD	1		
6	14M7031	HEX NUT DIN934 M12 X 1 75 X 10	1		
7	Z10174	ADJUSTER	1		
8	19M7073	SCREW, HEX HEAD, METRIC	1		
9	12M7014	WASHER, HELICAL SPRING LOCK, RGLR	1		
10	19M7867	SCREW, FLANGED, METRIC	2		
11	19M7331	SCREW, HEX HEAD, METRIC	1		
12	AXE76249	DEFLECTOR, DEFLECTOR CROP DIVIDER	1		
13	AXE76251	ADJUSTER, GUIDE TUBE	1		
14	AXE79519	BRACKET, DEFLECTOR ADJUSTER CROP DI	1		
15	11M7021	PIN, COTTER	1		

Cover, Upper Shaft Shields

XG396090

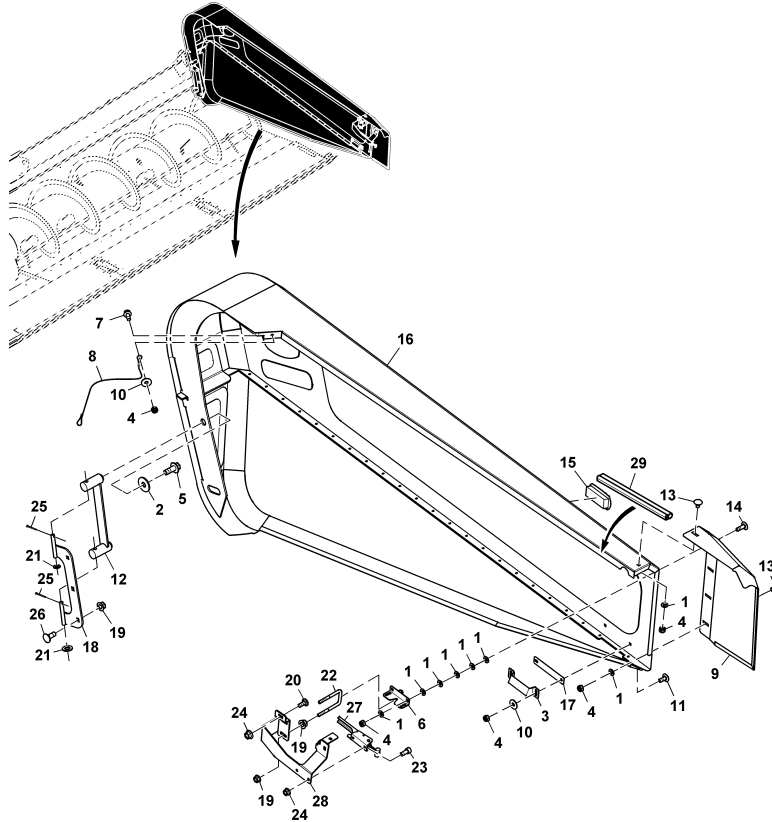


XG396090

Pos.	Artikel-Nr.	Benennung	Menge	Serial	No.
1	54177	SIDE COVER, 35 FT, RIGHT	1		
2	53824	CLAMP COLLAR OUTSIDE, COUNTER PIECE	1		
3	53829	UNIVERSAL DRIVESHAFT CLAMP COLLAR	1		
4	53823	COVER, SHAFT	1		
5	70511	LOCK SCREW DIN603 M8X20	2		
6	54176	SIDE COVER, 35FT, LEFT	1		
7	54318	PLATE, FIXING, COVER	1		
8	53825	UNIVERSAL DRIVESHAFT CLAMP COLLAR	1		
9	70005	SIMILAR DIN 6923 RATCHET TOOTHED NU	2		
10	53819	COVER, RIGHT KNIFE DRIVE	1		
11	70233	HEXAGONAL NUT WITH FLANGE DIN6923 M	2		
12	54317	COVER, CLEANING, MIDDLE	1		
13	53817	COVER, SHAFT RIGHT OUTSIDE	1		
14	53820	COVER, LEFT KNIFE DRIVE	1		
15	53828	CLAMP COLLAR RIGHT, COUNTER PIECE U	1		
16	53818	COVER, SHAFT LEFT OUTSIDE	1		
17	70042	RATCHET TOOTHED SCREW M8X12 YELLOW	46		

End Shield and Mounting, LH (- 21339)

XG511309

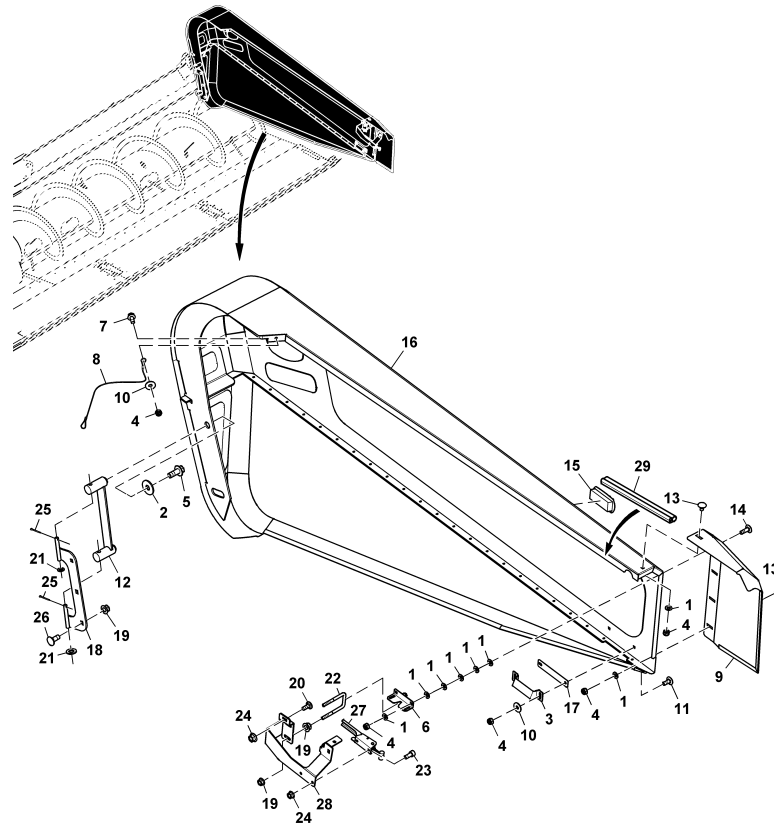


XG511309

Pos.	Artikel-Nr.	Benennung	Menge	Serial	No.
1	70109	DIN125 FLAT WASHER 8,4 MM, YELLOW	16		
2	24M7180	WASHER, METALLIC, ROUND HOLE	2		
3	54270	BRACKET, DOOR, ADJUSTABLE	1		
4	70103	DIN 985 HEXAGON NUT M8, BLUE	9		
5	19M7789	SCREW, FLANGED, METRIC	2		
6	18240	LATCH	1		
7	70044	RATCHET TOOTHED SCREW M8X20 YELLOW	1		
8	AZ101993	CABLE, PUSH PULL CABLE	1		
9	54195	GUARD, LEFT, CORNER	1		
10	70372	WASHER DIN9021 A8	3		
11	70511	LOCK SCREW DIN603 M8X20	2		
12	AXE43725	HINGE, SHIELD HINGE	1		
13	093296	SCREW	4		
14	70511	LOCK SCREW DIN603 M8X20	2		
15	60506	RECESS, HANDLE, GUARD	1		
16	54187	SIDE DOOR, LEFT	1		
17	HXE79105	SHEET, GUIDE SHEET	1		
18	AXE48995	HINGE, HINGE STYLING LH	1		
19	14M7296	NUT, METRIC, HEX FLANGE	7		
20	03M7184	BOLT, RD HD SQ SHORT NECK, METRIC	2		
21	70076	DIN125 FLAT WASHER 13 MM, BLUE	2		
22	54401	ROD, U-SHAPED	1		
23	091951	CYLINDER SCREW DIN912 M8X20	2		

End Shield and Mounting, LH (- 21339)

XG511309

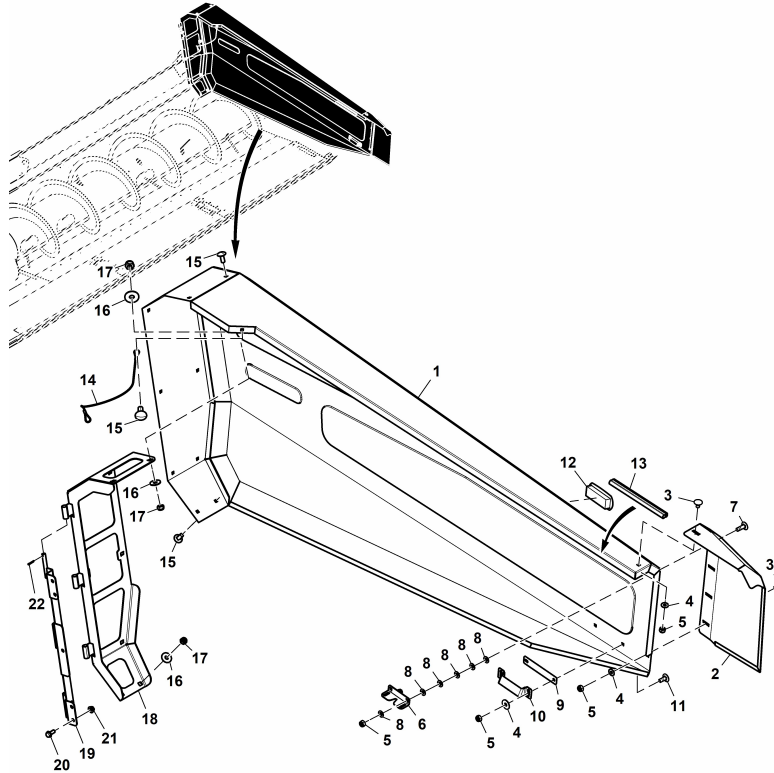


XG511309

Pos.	Artikel-Nr.	Benennung	Menge	Serial	No.
24	14M7298	NUT, METRIC, HEX FLANGE	4		
25	11M7015	PIN, COTTER	2		
26	03M7191	BOLT, RD HD SQ SHORT NECK, METRIC	3		
27	AXE63110	LATCH, FOR NIR BRACKET	1		
28	54400	BRACKET, DOOR, FRONT, LEFT	1		
29	55051	EDGE GUARD	1		

End Shield and Mounting, LH (21340 -)

XG55429

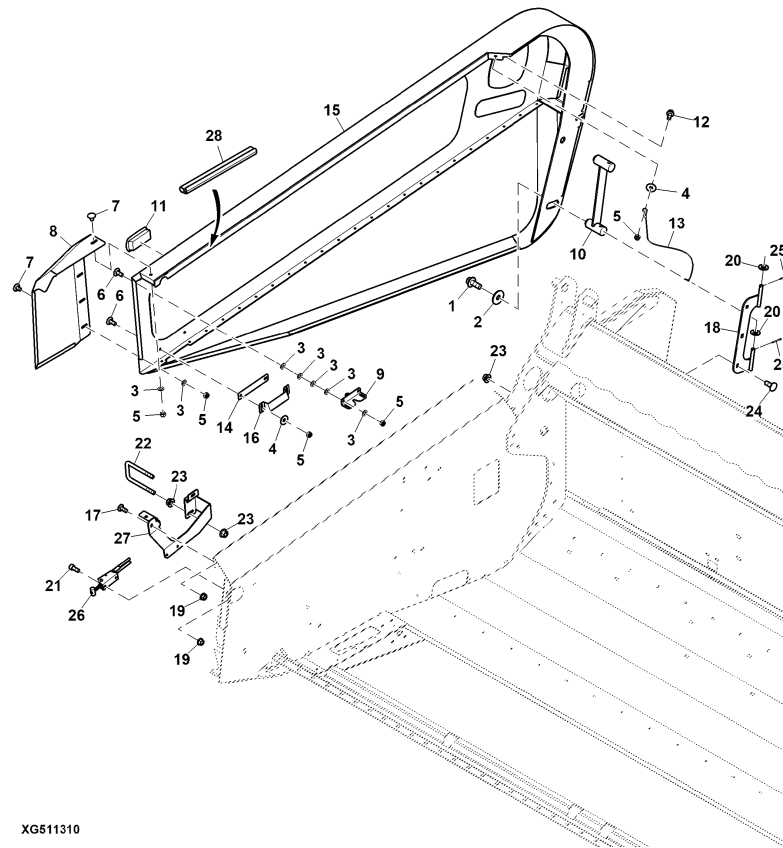


XG55429

Pos.	Artikel-Nr.	Benennung	Menge	Serial	No.
1	55441	SIDE DOOR, LEFT	1		
2	54195	GUARD, LEFT, CORNER	1		
3	093296	SCREW	4		
4	70372	WASHER DIN9021 A8	7		
5	70185	NUT	3		
6	18240	LATCH	1		
7	093290	SCREW	2		
8	70109	DIN125 FLAT WASHER 8,4 MM, YELLOW	14		
9	HXE79105	SHEET, GUIDE SHEET	1		
10	54270	BRACKET, DOOR, ADJUSTABLE	1		
11	70511	LOCK SCREW DIN603 M8X20	2		
12	60506	RECESS, HANDLE, GUARD	1		
13	55051	EDGE GUARD	1		
14	AZ101993	CABLE, PUSH PULL CABLE	1		
15	70511	LOCK SCREW DIN603 M8X20	11		
16	70372	WASHER DIN9021 A8	11		
17	70185	NUT	11		
18	55431	SHIELD HINGE LEFT	1		
19	55433	HINGE LEFT	1		
20	70047	RATCHET TOOTHED SCREW M10X25 YELLOW	5		
21	70166	WASHER	5		
22	70796	PIN; COTTER	1		

End Shield and Mounting, RH (- 21339)

XG511310

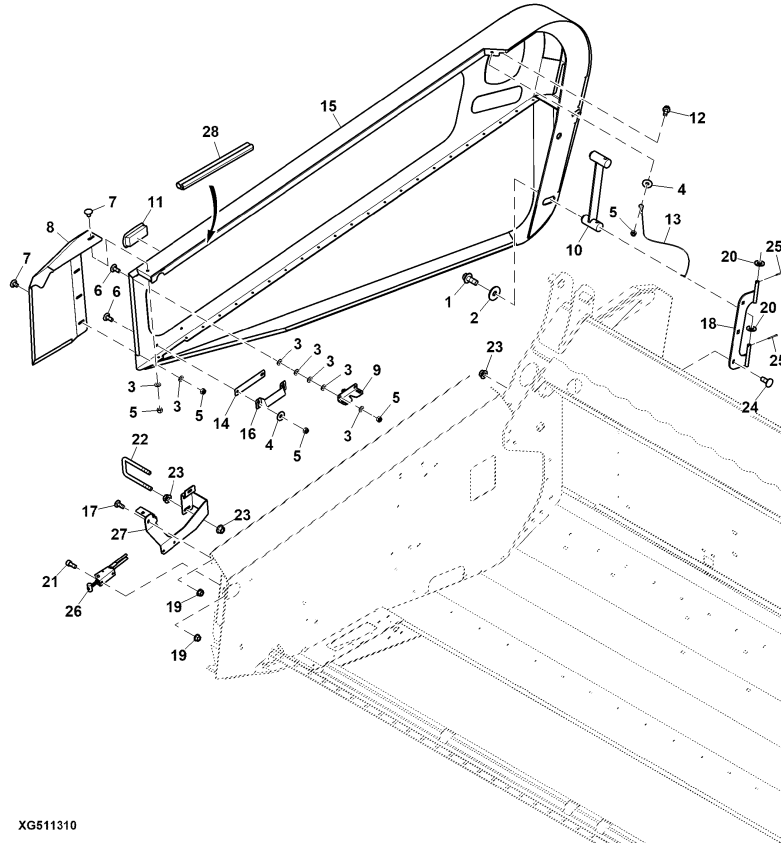


XG511310

Pos.	Artikel-Nr.	Benennung	Menge	Serial	No.
1	19M7789	SCREW, FLANGED, METRIC	2		
2	24M7180	WASHER, METALLIC, ROUND HOLE	2		
3	70109	DIN125 FLAT WASHER 8,4 MM, YELLOW	14		
4	70372	WASHER DIN9021 A8	3		
5	70103	DIN 985 HEXAGON NUT M8, BLUE	9		
6	70511	LOCK SCREW DIN603 M8X20	4		
7	093296	SCREW	4		
8	54272	GUARD, RIGHT, CORNER	1		
9	18240	LATCH	1		
10	AXE43725	HINGE, SHIELD HINGE	1		
11	60506	RECESS, HANDLE, GUARD	1		
12	70044	RATCHET TOOTHED SCREW M8X20 YELLOW	1		
13	AZ101993	CABLE, PUSH PULL CABLE	1		
14	HXE79105	SHEET, GUIDE SHEET	1		
15	54280	SIDE COVER, SLIM	1		
16	54270	BRACKET, DOOR, ADJUSTABLE	1		
17	03M7184	BOLT, RD HD SQ SHORT NECK, METRIC	2		
18	AXE48996	HINGE, HINGE STYLING RH	1		
19	14M7298	NUT, METRIC, HEX FLANGE	4		
20	70076	DIN125 FLAT WASHER 13 MM, BLUE	2		
21	091951	CYLINDER SCREW DIN912 M8X20	2		
22	54401	ROD, U-SHAPED	1		
23	14M7296	NUT, METRIC, HEX FLANGE	7		

End Shield and Mounting, RH (- 21339)

XG511310

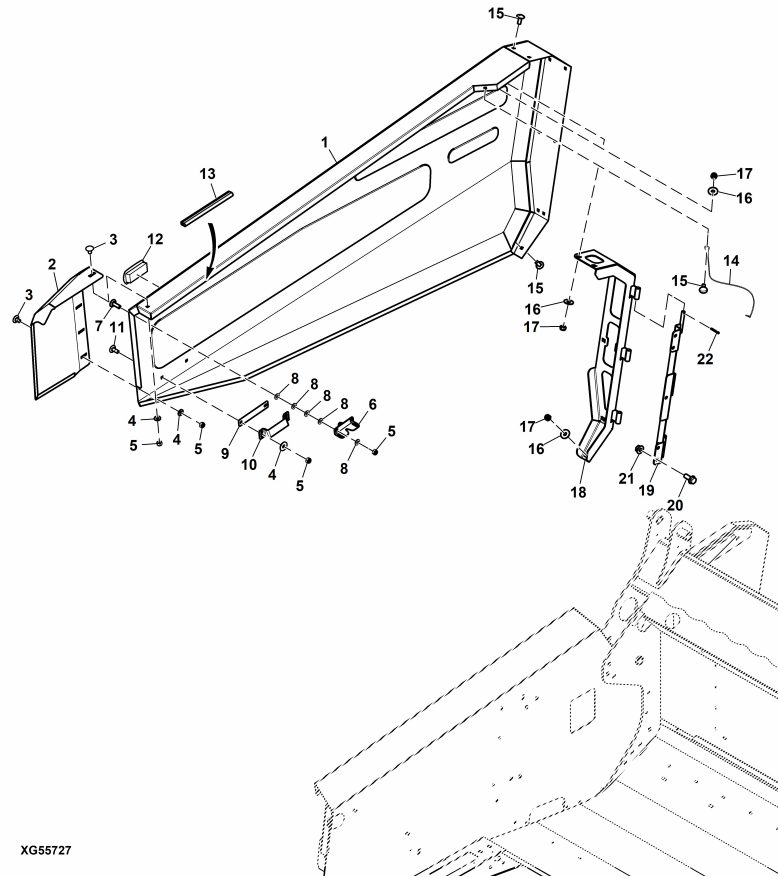


XG511310

Pos.	Artikel-Nr.	Benennung	Menge	Serial	No.
24	03M7191	BOLT, RD HD SQ SHORT NECK, METRIC	3		
25	11M7015	PIN, COTTER	2		
26	AXE63110	LATCH, FOR NIR BRACKET	1		
27	54399	BRACKET, DOOR FRONT, RIGHT	1		
28	55051	EDGE GUARD	1		

End Shield and Mounting, RH

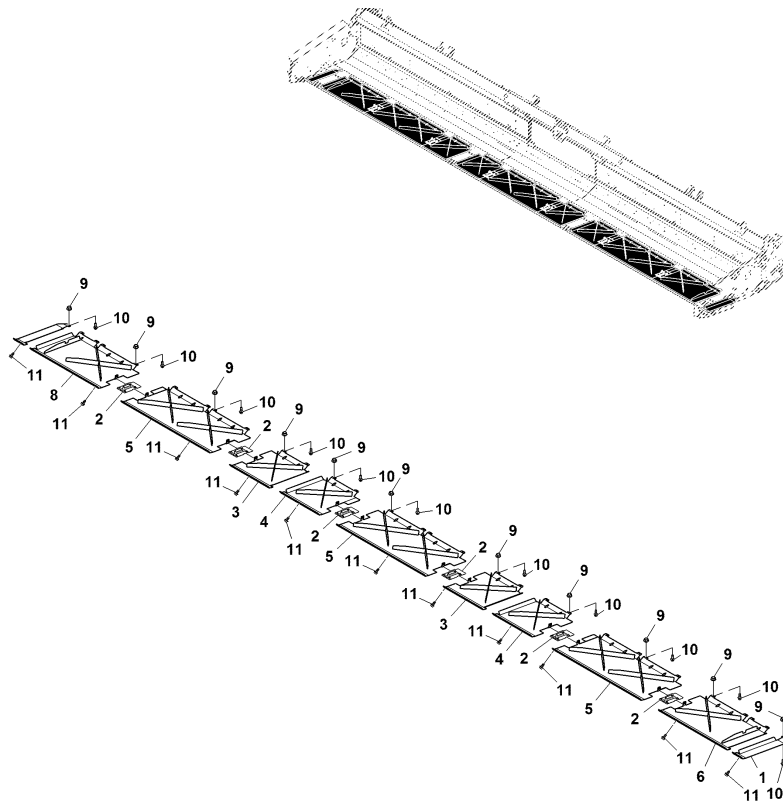
XG55727



Pos.	Artikel-Nr.	Benennung	Menge	Serial	No.
1	55723	SIDE COVER, RIGHT WIDE	1		
2	54272	GUARD, RIGHT, CORNER	1		
3	093296	SCREW	4		
4	70372	WASHER DIN9021 A8	7		
5	70185	NUT	3		
6	18240	LATCH	1		
7	093290	SCREW	2		
8	70109	DIN125 FLAT WASHER 8,4 MM, YELLOW	14		
9	HXE79105	SHEET, GUIDE SHEET	1		
10	54270	BRACKET, DOOR, ADJUSTABLE	1		
11	70511	LOCK SCREW DIN603 M8X20	4		
12	60506	RECESS, HANDLE, GUARD	1		
13	55051	EDGE GUARD	1		
14	AZ101993	CABLE, PUSH PULL CABLE	1		
15	70511	LOCK SCREW DIN603 M8X20	11		
16	70372	WASHER DIN9021 A8	11		
17	70185	NUT	11		
18	55721	SHILDE HINGE, HINGE RICHT WIDE	1		
19	55743	HINGE RIGHT	1		
20	70047	RATCHET TOOTHED SCREW M10X25 YELLOW	5		
21	70166	WASHER	5		
22	70796	PIN; COTTER	1		

Skid Plates

XG335729

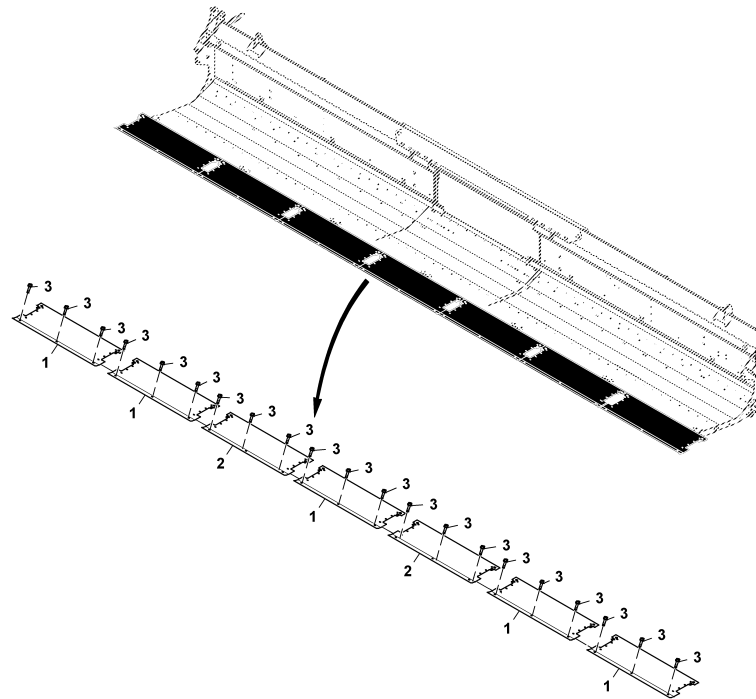


XG335729

Pos.	Artikel-Nr.	Benennung	Menge	Serial	No.
1	54037	SKID, LEFT OUTSIDE	1		
2	54447	COVER, LOCK, TRAVERSE	6		
3	53985	SKID ASSEMBLY, WIDE, MIDDLE	2		
4	53989	SKID ASSEMBLY, WIDE, RIGHT	2		
5	53958	SKID ASSEMBLY, WIDE	3		
6	54019	SKID ASSEMBLY, WIDE, LEFT	1		
7	54038	SKID, RIGHT OUTSIDE	1		
8	54035	SKID ASSEMBLY, WIDE, RIGHT	1		
9	14M7296	NUT, METRIC, HEX FLANGE	28		
10	03M7017	BOLT, RD HD SQ LONG NECK, METRIC	28		
11	19M7865	SCREW, FLANGED, METRIC	40		

Front Building

XG410228

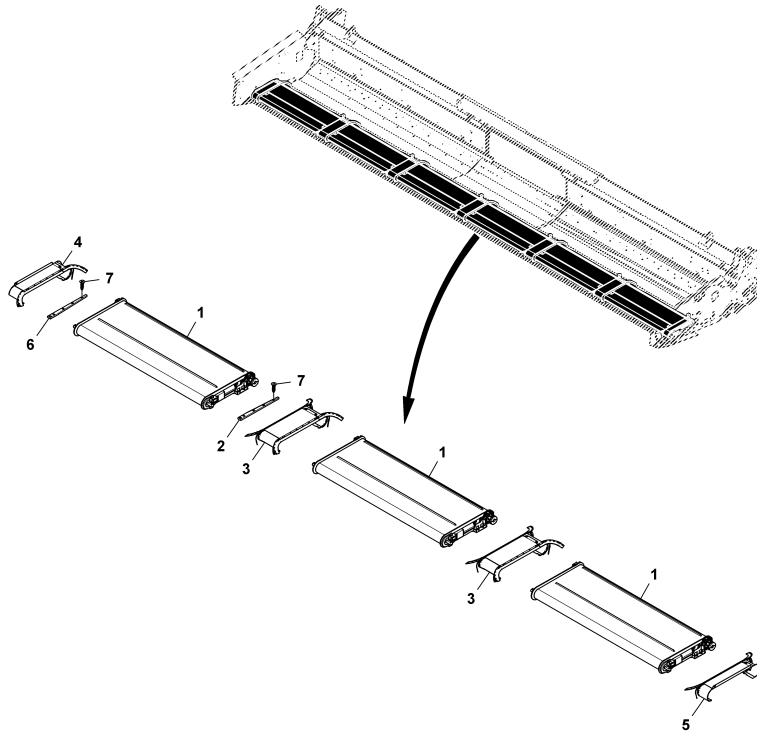


XG410228

Pos.	Artikel-Nr.	Benennung	Menge	Serial	No.
1	54156	FLOOR PLATE, MIDDLE	5		
2	54159	FLOOR PLATE, SKID, MIDDLE	2		
3	70126	ROUND HEAD SCREW	23		

Belt Conveyor Covers and Strippers

XG327553R3

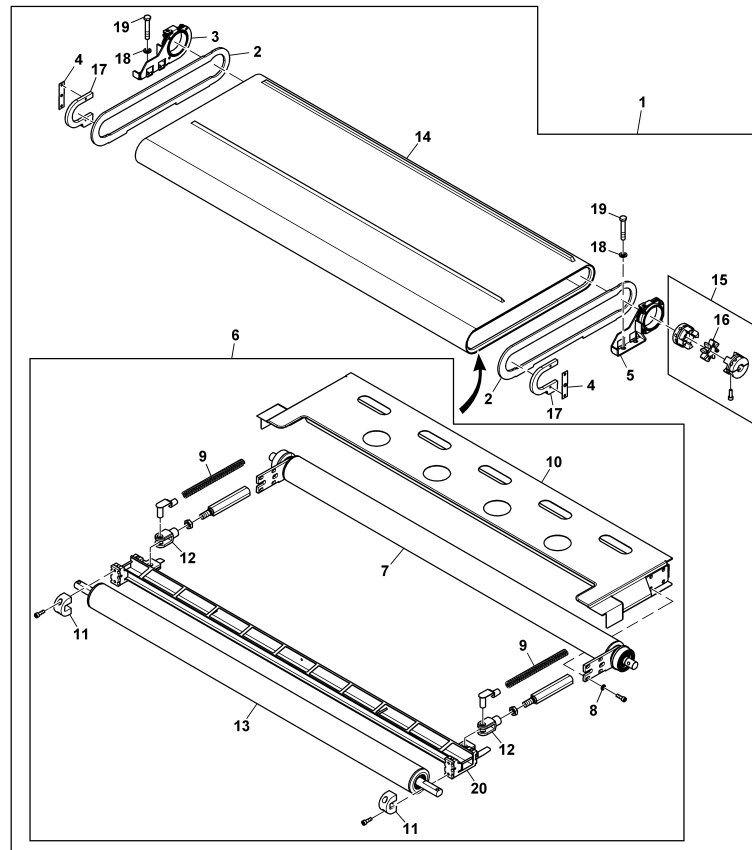


XG327553R3

Pos.	Artikel-Nr.	Benennung	Menge	Serial	No.
1	53260	BODY COMPLETE, FEEDER BAND, 450 MM	7		
2	52479	STRIPPER LH	7		
3	52466	COVER, SHEET FRONT MIDDLE	6		
3	52327	COVER SHEET BACK MIDDLE	6		
4	52492	COVER, SHEET RH OUTSIDE FRONT	1		
4	52525	COVER, SHEET RH OUTSIDE BACK	1		
5	52490	COVER, SHEET LH OUTSIDE FRONT	1		
5	52526	COVER, SHEET LH OUTSIDE BACK	1		
6	52478	STRIPPER RH	7		
7	091985	SCREW	40		

Belt Conveyor Kit

XG340565R1

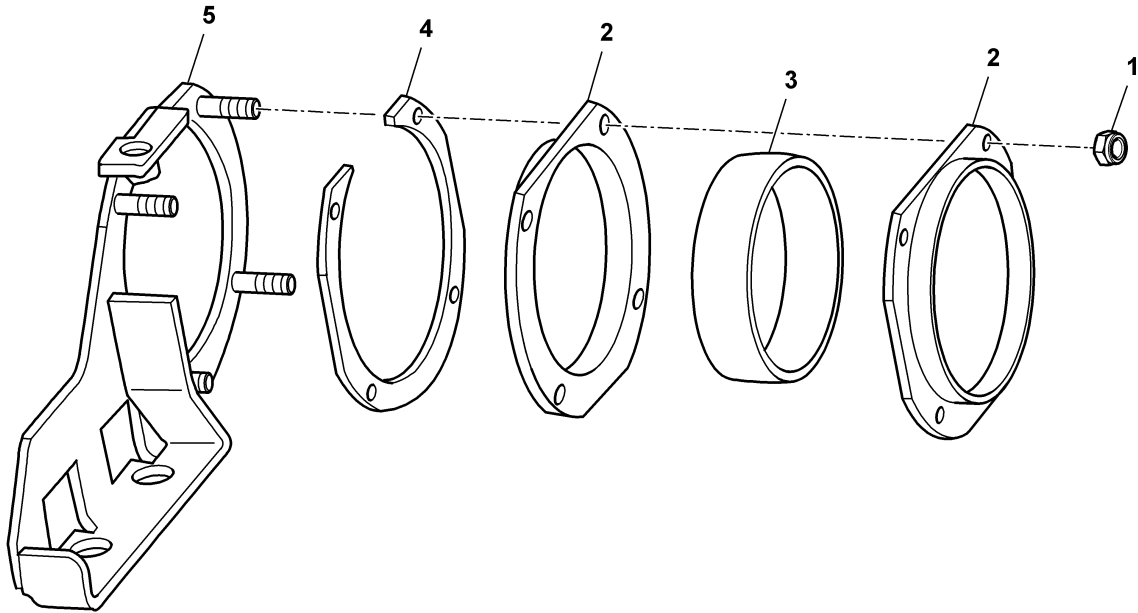


XG340565R1

Pos.	Artikel-Nr.	Benennung	Menge	Serial	No.
1	53260	BODY COMPLETE, FEEDER BAND, 450 MM	2		
2	52480	SEAL	2		
3	50918	BEARING, PIVOT RH	1		
4	51416	SHEET, FOR SEALING	2		
5	50917	BEARING, PIVOT LH	1		
6	52613	BODY COMPLETE, FEEDER BAND	1		
7	51170	ROLLER, REAR 35 FT	1		
8	70109	DIN125 FLAT WASHER 8,4 MM, YELLOW	48		
9	53261	SPRING	12		
10	52614	FRAME	6		
11	51167	SUPPORT FRONT ROLL	12		
12	51476	FORK HEAD	12		
13	51594	FRONT ROLLER INCLUDING BEARINGS AND	6		
14	51975	FEEDER BAND	6		
15	50902	COUPLING DISC, SEPARATED	6		
16	50512	ABSORBER SEGMENT, RED	6		
17	50901	SEAL, FLEXIBLE	12		
18	70125	DIN 931 HEXAGON HEAD CAP SCREW M12	20		
19	70076	DIN125 FLAT WASHER 13 MM, BLUE	20		
20	52668	SLIDING SHIELD	1		

Belt Body Mounting Unit

ZX060067

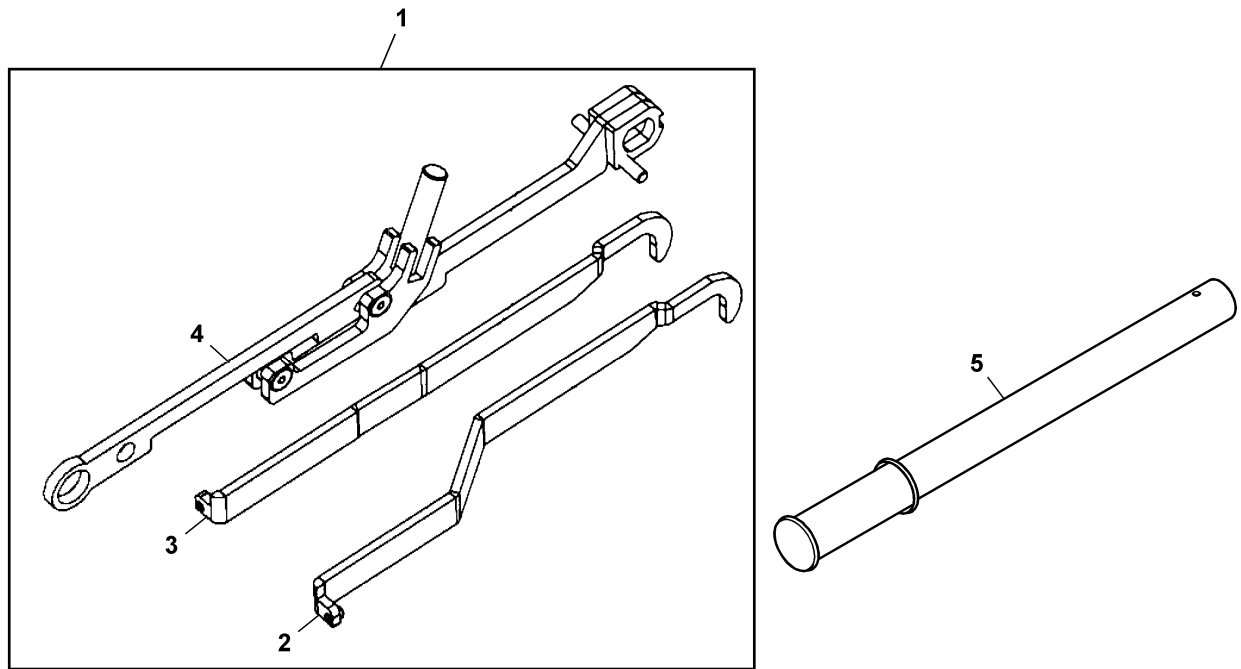


ZX060067

Pos.	Artikel-Nr.	Benennung	Menge	Serial	No.
1	70020	DIN 985 HEXAGON NUT M6, BLUE	48		
2	50897	BEARING, CAP	24		
3	50896	BUSHING	12		
4	50898	SPACER, BEARING CAP	12		
5	50894	BEARING, PIVOT LH	6		
5	50895	BEARING, PIVOT RH	6		

Belt Body Mounting Tool

XG304258

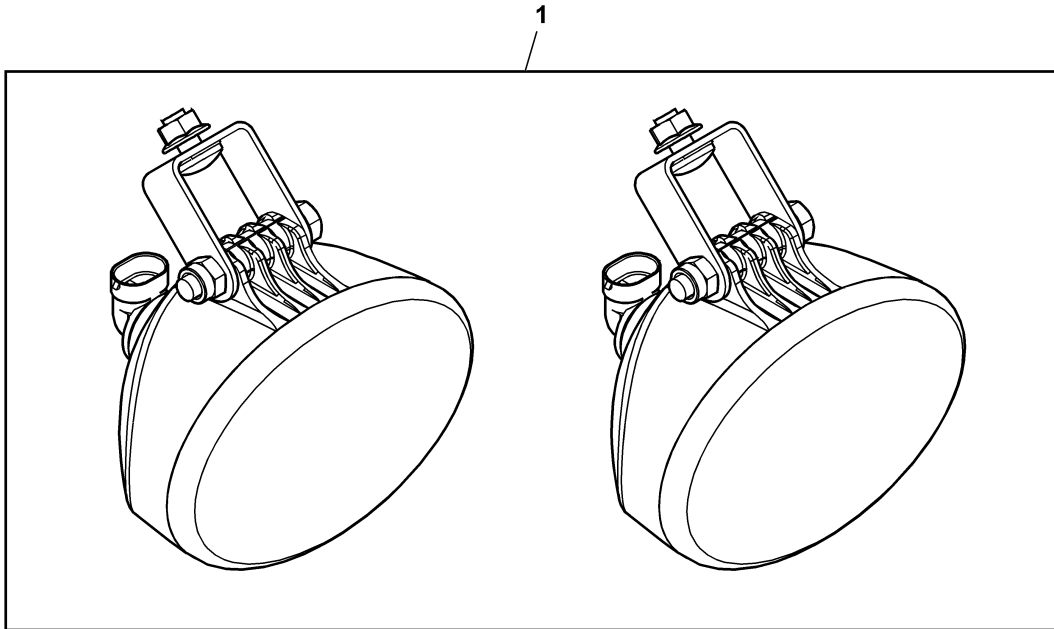


XG304258

Pos.	Artikel-Nr.	Benennung	Menge	Serial	No.
1	52660	TOOL KIT BELT BODY	1		
2	52661	HOOK LH	1		
3	52663	HOOK RH	1		
4	52664	TENSION TOOL	1		
5	50380	LEVER, PUMP WITH HANDLE	1		

Attachment, Rear Flood Lamps

BXE10515

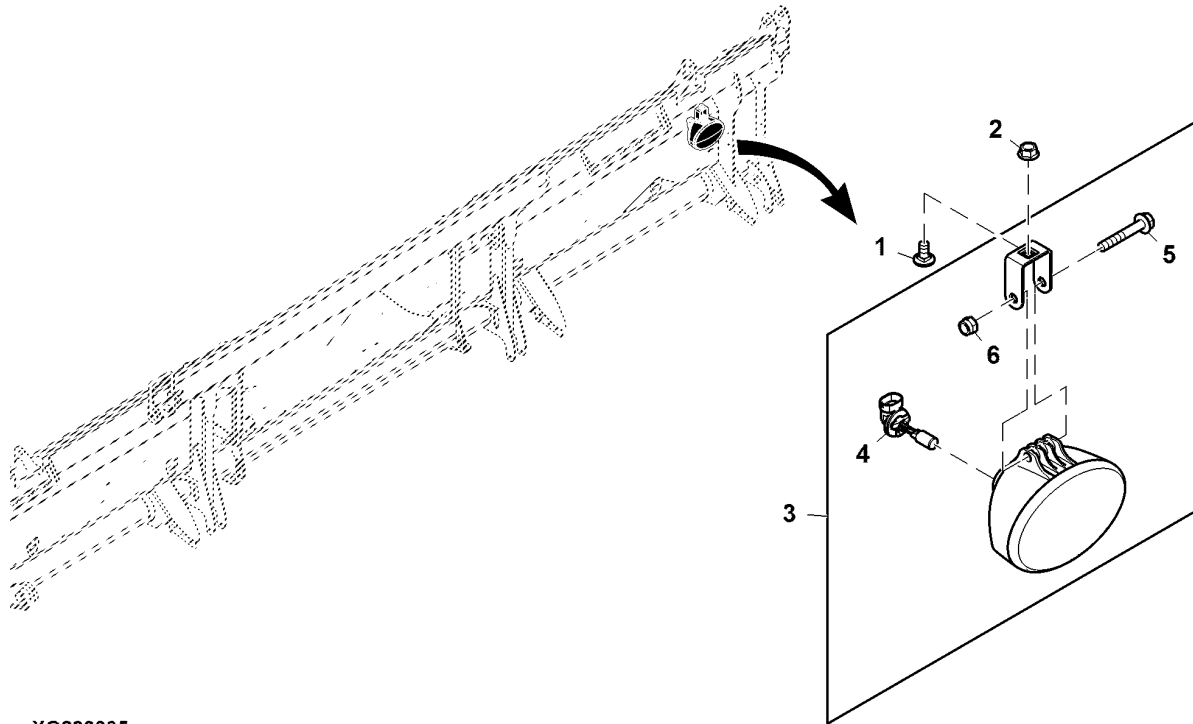


BXE10515

Pos.	Artikel-Nr.	Benennung	Menge	Serial	No.
1	BXE10515	FLOODLAMP, HEADER EXTREMITY LIGHT B	1		

Rear Flood Lamp, RH

XG298935

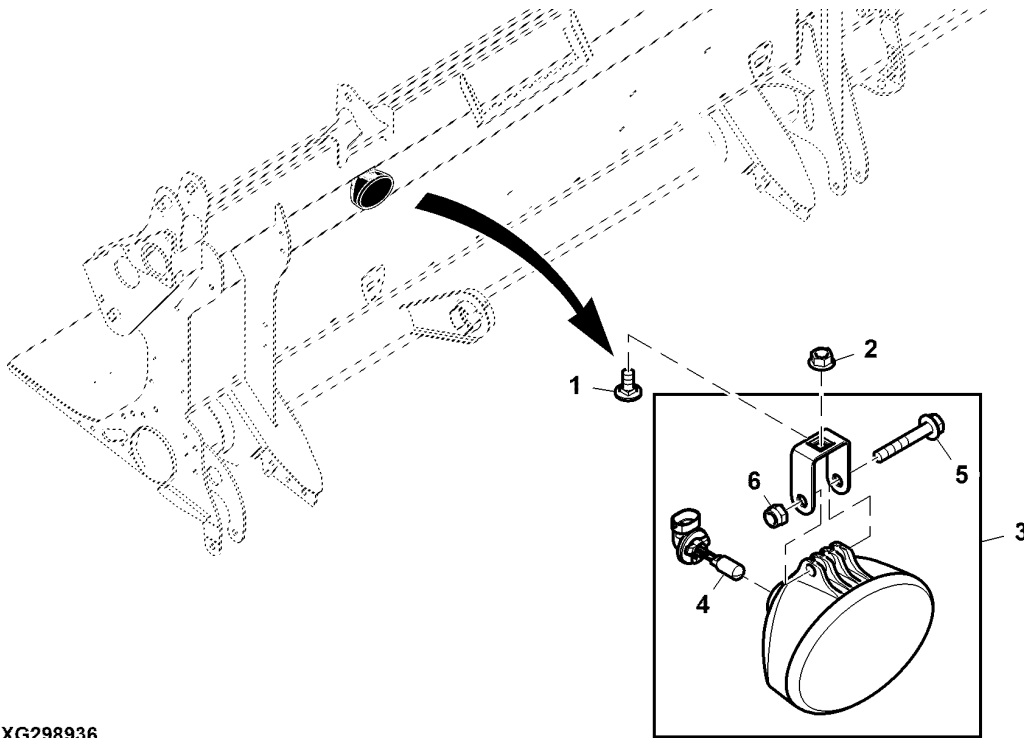


XG298935

Pos.	Artikel-Nr.	Benennung	Menge	Serial	No.
1	03M7183	BOLT, RD HD SQ SHORT NECK, METRIC	1		
2	14M7298	NUT, METRIC, HEX FLANGE	1		
3	AXE40244	FLOODLAMP, PLASTIC FLOOD	1		
4	AXE16948	BULB, BULB- ANSI 862	1		
5	19M8319	SCREW, FLANGED, METRIC	1		
6	14M7426	NUT, METRIC, HEX PREVAILING TORQUE	1		

Rear Flood Lamp, LH

XG298936

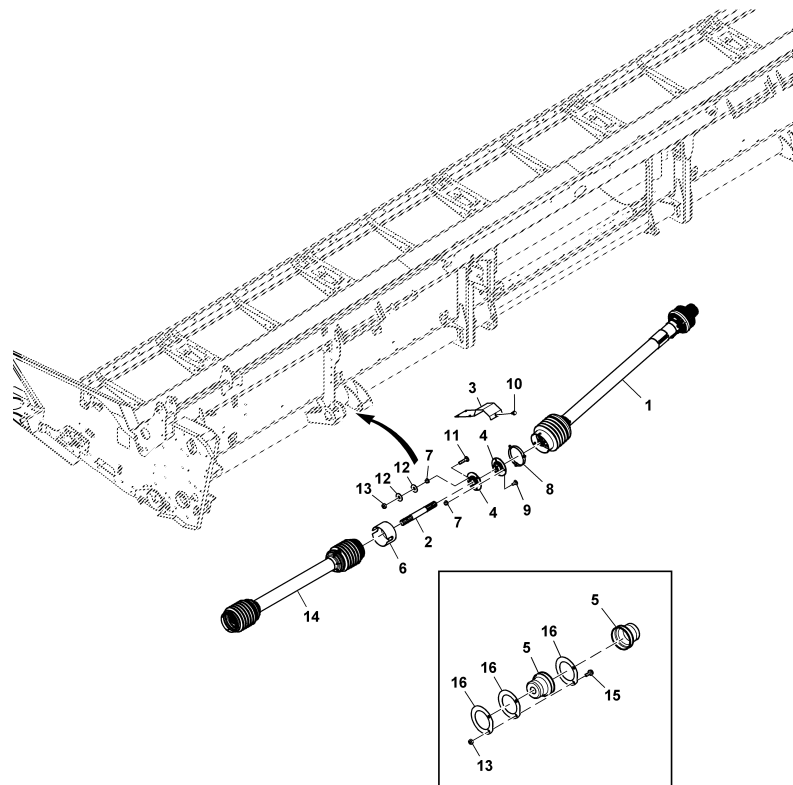


XG298936

Pos.	Artikel-Nr.	Benennung	Menge	Serial	No.
1	03M7183	BOLT, RD HD SQ SHORT NECK, METRIC	1		
2	14M7298	NUT, METRIC, HEX FLANGE	1		
3	AXE40244	FLOODLAMP, PLASTIC FLOOD	1		
4	AXE16948	BULB, BULB- ANSI 862	1		
5	19M8319	SCREW, FLANGED, METRIC	1		
6	14M7426	NUT, METRIC, HEX PREVAILING TORQUE	1		

Backshaft and Universal Drive Shaft

XG372539

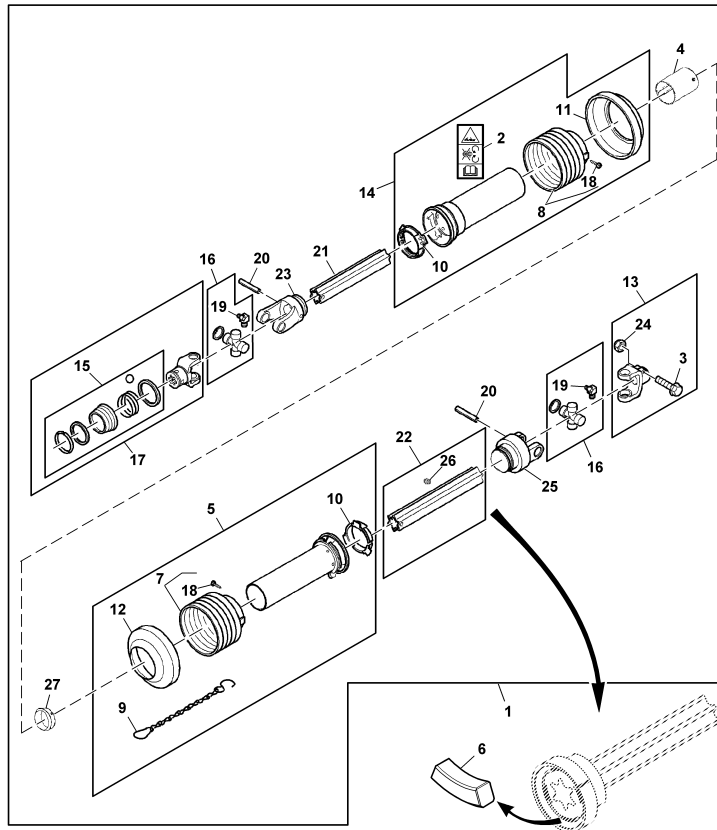


XG372539

Pos.	Artikel-Nr.	Benennung	Menge	Serial	No.
1	53815	UNIVERSAL DIRVESHAF	1		
2	54077	SHAFT, MIDDLE SUPPORT	1		
3	54153	GUARD	1		
4	60455	BEARING, KIT	2		
5	60809	UNIVERSAL DRIVE SHAFT	2		- 021050
6	54885	UNIVERSAL DRIVE SHAFT	1		021051 -
7	14M7296	NUT, METRIC, HEX FLANGE	6		
8	H168246	RING SHIELD RETAINER	1		
9	03M7190	BOLT, RD HD SQ SHORT NECK, METRIC	6		
10	19M7865	SCREW, FLANGED, METRIC	5		
11	03M7195	BOLT, RD HD SQ SHORT NECK, METRIC	3		
12	70368	WASHER DIN9021 A10	6		
13	092530	HEXAGON NUT	AR		
14	54478	DRIVE SHAFT	1		
15	19M7866	SCREW, FLANGED, METRIC	2		
16	54802	SPACER	3		- 021050

Universal Drive Shaft

XG304259

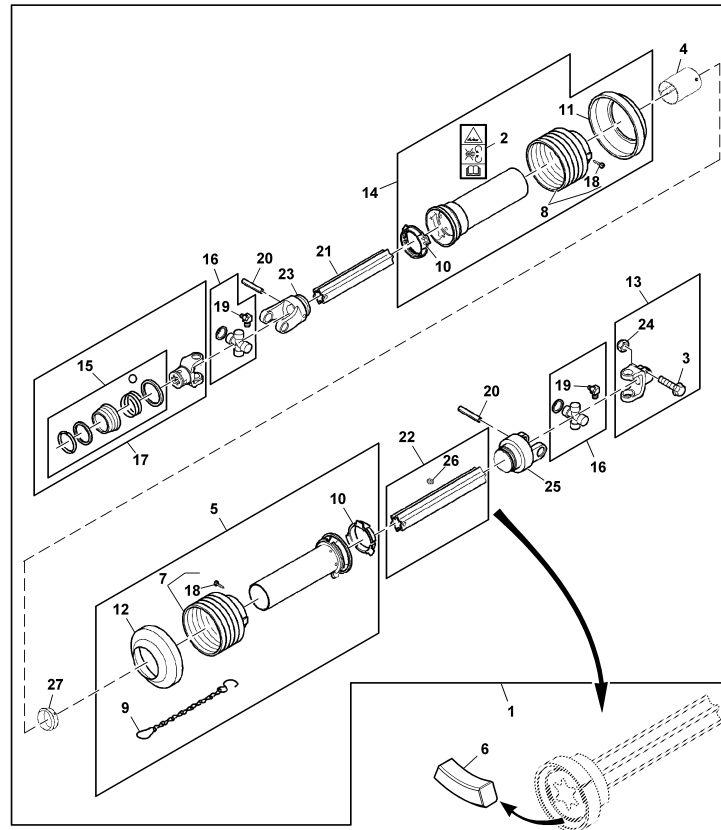


XG304259

Pos.	Artikel-Nr.	Benennung	Menge	Serial	No.
1	53815	UNIVERSAL DIRVESHAFT	1		
2	DC205482	JEU D'AUTOCOLLANTS	1		
3	19M8088	SCREW, HEX HEAD, METRIC	1		
4	Z63602	SHIELD	1		
5	AXE28941	UNIVERSAL DRIVESHAFT, INNER GUARD H	1		
6	Z106350	KEY, KEY WALTERSCHEID PTO SHAFT REW	4		
7	Z104467	UNIVERSAL DRIVESHAFT, GUARD CONE	1		
8	DC44091	GARANT	1		
9	AW24500	LINK CHAIN	1		
10	W36510	RING	2		
11	W37216	CAP, COLLAR, REINFORCING	1		
12	Z104466	UNIVERSAL DRIVESHAFT, REINFORCING C	1		
13	53680	UNIVERSAL JOINT JOKE	1		
14	AXE28940	UNIVERSAL DRIVESHAFT, OUTER GUARD H	1		
15	DC205679	VERROUILLAGE	1		
16	DC204595	CROISILLON DE CARDAN	2		
17	AXE28942	UNIVERSAL DRIVESHAFT, ASGE YOKE COM	1		
18	37M7067	SCREW, SLFTPG, SPD THD, CR PAN HD	4		
19	58M5577	FITTING, LUBRICANT, METRIC, CONE HD	2		
20	HXE45681	SPRING PIN, SPRING-TYPE STRAIGHT PI	2		
21	W53852	TUBE, TUBE, INNER	1		
22	HXE45682	UNIVERSAL DRIVESHAFT, PROFILE TUBE	1		
23	W38769	INBOARD YOKE	1		

Universal Drive Shaft

XG304259

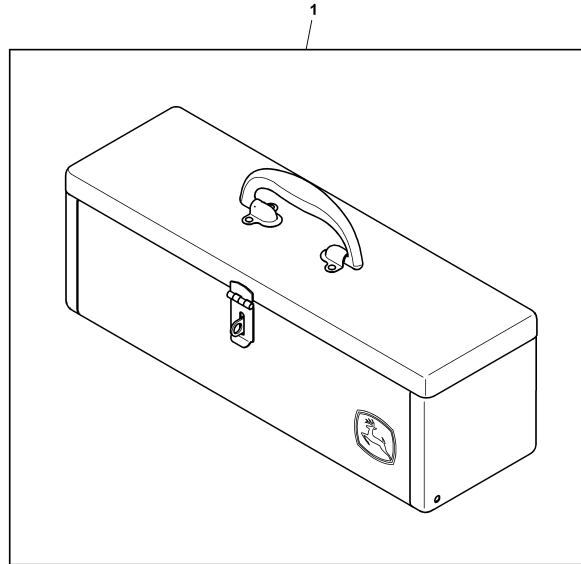


XG304259

Pos.	Artikel-Nr.	Benennung	Menge	Serial	No.
24	14M7168	NUT, METRIC, HEX PREVAILING TORQUE	1		
25	HXE45685	UNIVERSAL DRIVESHAFT, ALIGNMENT CLU	1		
26	M87259	LUBRICATION FITTING, ZERK, GREASE	1		
27	W36512	BEARING, SUPPORT BEARING	1		

Attachment, Tool Box

BXE10516

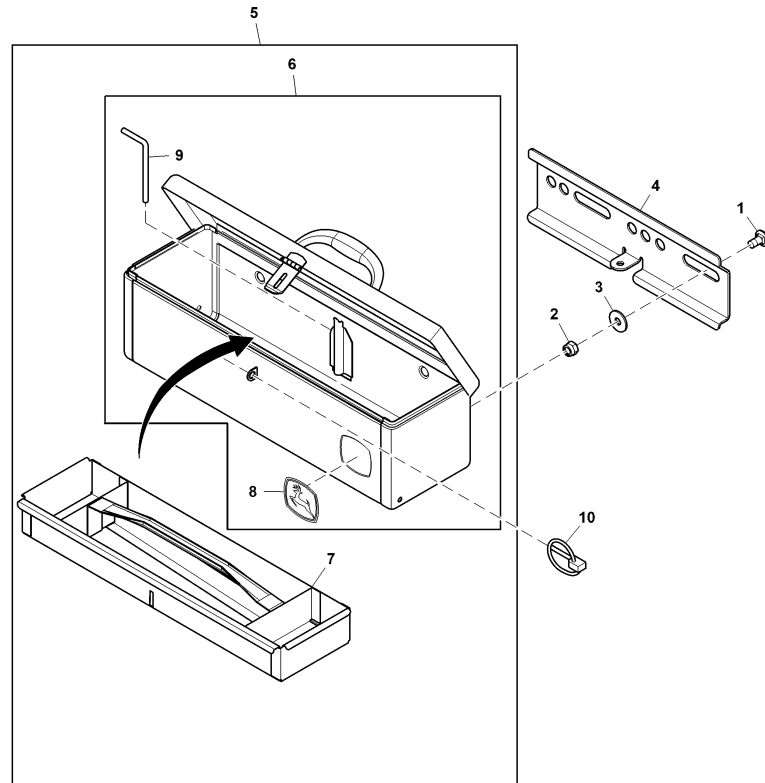


BXE10516

Pos.	Artikel-Nr.	Benennung	Menge	Serial	No.
1	BXE10516	TOOLBOX, TOOLBOX INCLUSIVE BRACKET	1		

Tool Box

XG298939

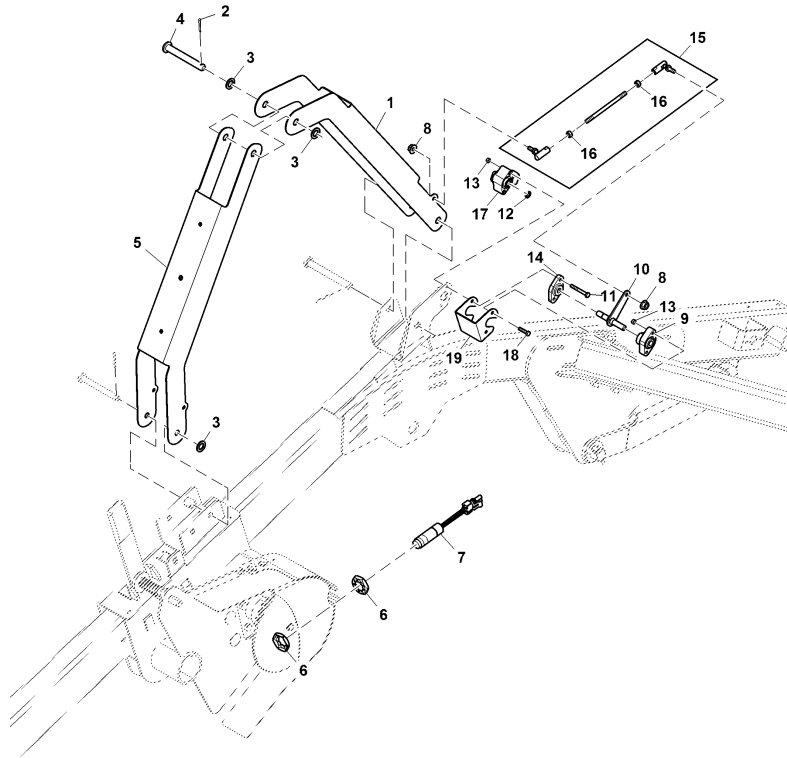


XG298939

Pos.	Artikel-Nr.	Benennung	Menge	Serial	No.
1	03M7190	BOLT, RD HD SQ SHORT NECK, METRIC	2		
2	14M7517	NUT, METRIC, HEX PREVAILING TORQUE	2		
3	24M7178	WASHER, METALLIC, ROUND HOLE	2		
4	L39119	BEAM, CARRIER, TOOL BOX	1		
5	RE275591	TOOLBOX, WITH TRAY	1		
6	RE275592	TOOLBOX, SHELL	1		
7	RE275593	TRAY, TOOL-BOX	1		
8	JD5720	EMBLEM, TRADEMARK, LEAPING DEER	1		
9	T23027	PIN, TOOL BOX MOUNTING LATCH	1		
10	M72598	PIN, LYNCH	1		

Reel Fore and Aft Sensors and Mounting, RH

ETN105448C

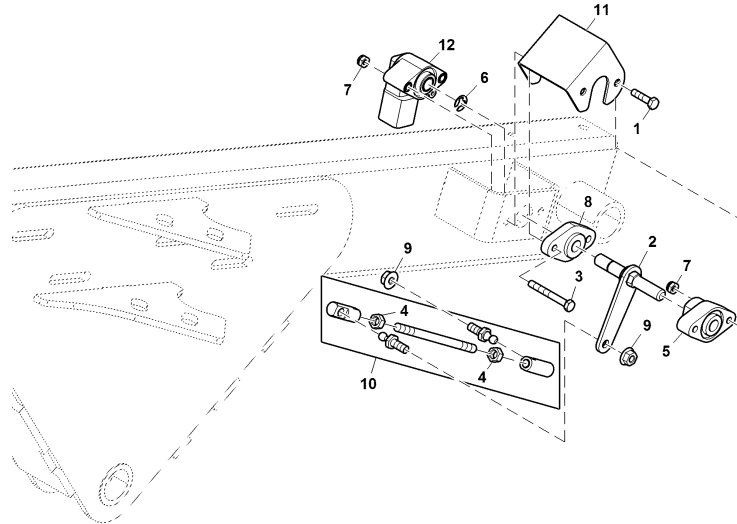


ETN105448C

Pos.	Artikel-Nr.	Benennung	Menge	Serial	No.
1	HXE59981	Bracket	1		
2	11M7059	Cotter Pin	1		
3	24M7044	Washer	2		
4	45M7045	Pin Fastener	1		
5	HXE96744	Bracket	1		
6	H104418	NUT-LOCK,HEX	2		
7	AH116104	Sensor	1		
8	14M7397	NUT, METRIC, HEX FL, SELF LOCKING	3		
9	R100686	SUPPORT, POSITION SENSOR SHAFT	1		
10	AXE67050	ARM, WELDASSEMBLY ARM, ROTARY SENSO	1		
11	19M7920	Cap Screw	2		
12	R72653	Snap Ring	1		
13	14M7265	Lock Nut	4		
14	H171404	Support	1		
15	AH164153	Tie Rod Assembly	1		
16	14M7272	Nut	2		
17	RE336709	Sensor	1		
18	19M7373	Cap Screw	2		
19	HXE122396	BRACKET, BRACKET ROTARY SENSOR REEL	1		

Reel Height Sensor, RH

ETN103809CR3

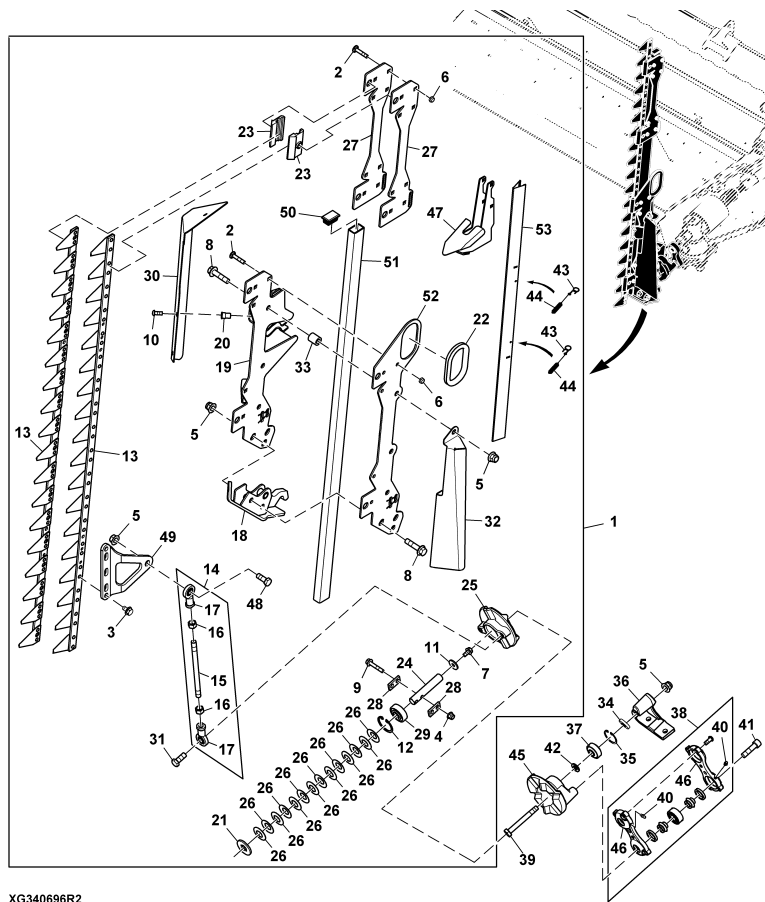


ETN103809CR3

Pos.	Artikel-Nr.	Benennung	Menge	Serial	No.
1	19M7373	Cap Screw	2		
2	AXE66626	ARM, WELDASSEMBLY, ARM ROTARY SENSO	1		
3	19M7920	Cap Screw	2		
4	14M7272	Nut	2		
5	R100686	SUPPORT, POSITION SENSOR SHAFT	1		
6	R72653	Snap Ring	1		
7	14M7265	Lock Nut	4		
8	H171404	Support	1		
9	14M7397	NUT, METRIC, HEX FL, SELF LOCKING	2		
10	AH164153	Tie Rod Assembly	1		
11	HXE122396	BRACKET, BRACKET ROTARY SENSOR REEL	1		
12	RE336709	Sensor	1		

Side Knife, LH

XG340696R2

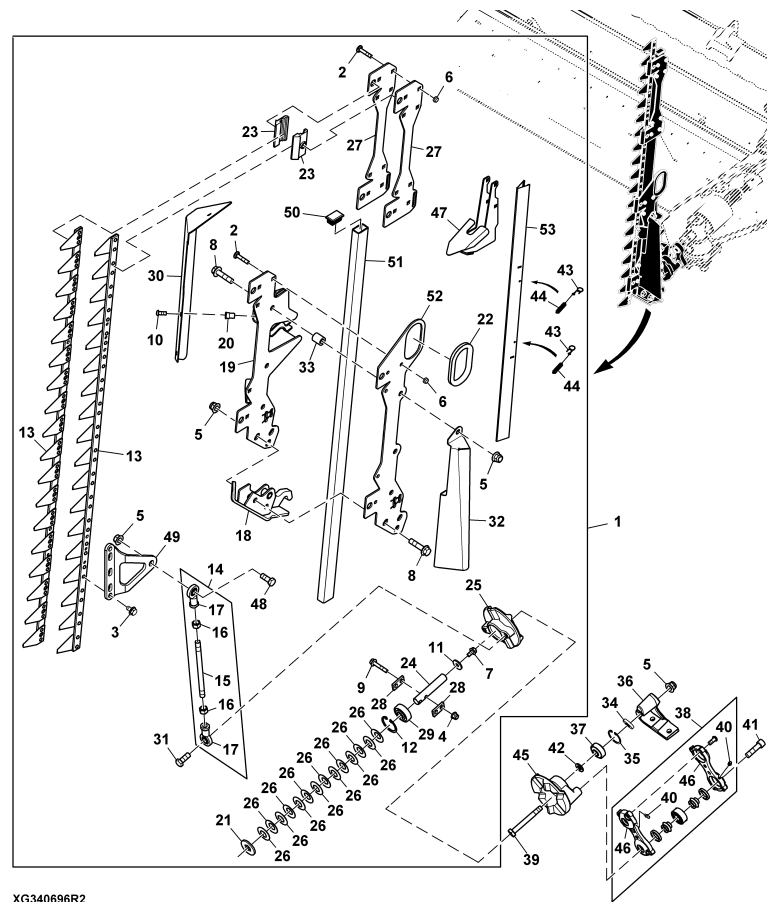


XG340696R2

Pos.	Artikel-Nr.	Benennung	Menge	Serial	No.
1	54367	SIDE KNIVES, LEFT, 700PF	1		
2	03M7071	BOLT, RD HD SQ LONG NECK, METRIC	13		
3	19M9294	SCREW, SCREW, SCREW, FLANGED, METRI	4		
4	14M7298	NUT, METRIC, HEX FLANGE	2		
5	14M7401	NUT, METRIC, HEX FL, SELF LOCKING	8		
6	14M7327	NUT, METRIC, HEX PREVAILING TORQUE	9		
7	19M7162	SCREW, HEX HEAD, METRIC	1		
8	19M8306	SCREW, FLANGED, METRIC	6		
9	19M8318	SCREW, FLANGED, METRIC	2		
10	21M7572	SCREW, HEX SKT BUTTON HD, METRIC	3		
11	24M7207	WASHER, METALLIC, ROUND HOLE	1		
12	40M1863	RING, INTERNAL SNAP	1		
13	54370	SIDE KNIFE, 18 KNIVES	2		
14	54960	LINK	2		
15	HXE66583	ROD, THREADED ROD SIDEKNIFE LINK	2		
16	14M7275	NUT, METRIC, HEX	4		
17	AXE43657	LINK END, M12 RH THREAD MAINTENANCE	8		
18	AXE43410	BRACKET, SIDEKNIFE ATTACHEMENT	1		
19	AXE52237	SUPPORT, ATTACHEMENT OF SIDEKNIFE L	1		
20	H162860	NUT, HEX THREADED INSERT M8 RIV-NUT	1		
21	H165874	WASHER	1		
22	H172261	GROMMET, TOP TUBE SHIELD	1		
23	18343	GUIDE	8		

Side Knife, LH

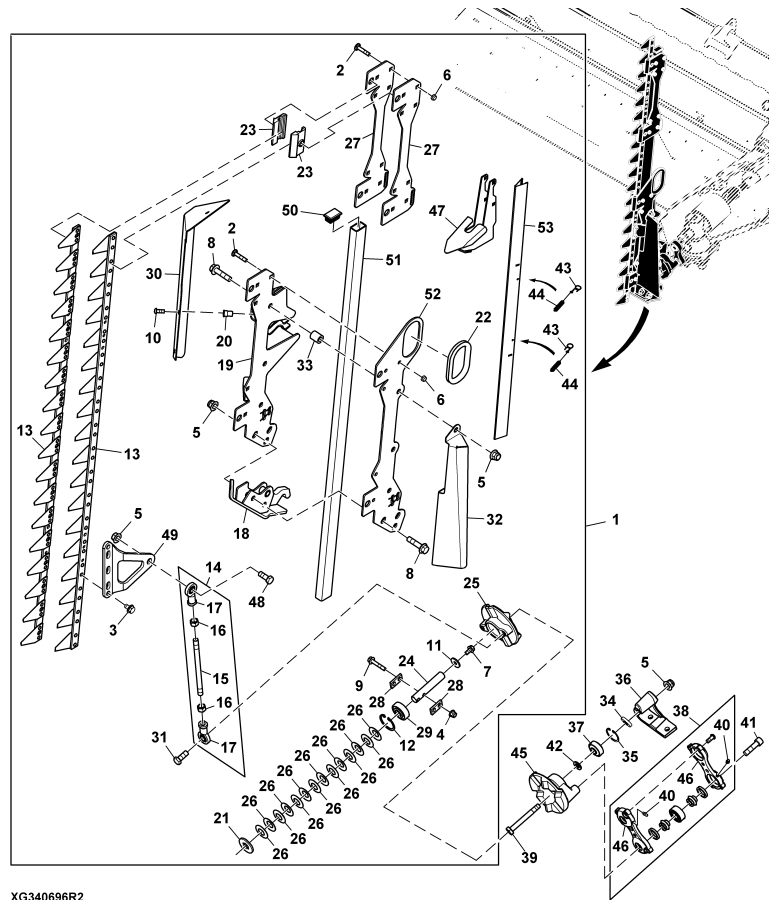
XG340696R2



Pos.	Artikel-Nr.	Benennung	Menge	Serial	No.
24	HXE112171	SHAFT, HEXSHAFT HARDENED	1		
25	HXE66352	CLUTCH, CASTED SIDEKNIFE CLUTCH	1		
26	HXE74606	DISK SPRING, DISK SPRING	14		
27	HXE74974	BRACKET, SIDEKNIFE GUIDE CLAMP	2		
28	HXE74984	ISOLATOR, RUBBERSPACER SIDEKNIFE	2		
29	AXE46545	BALL BEARING, CYLINDRICAL OUTER / H	1		
30	HXE75044	COVER, INSIDECOVER SIDEKNIFE LH	1		
31	19M7285	SCREW, HEX HEAD, METRIC	2		
32	54306	GUARD ST, LEFT OUTSIDE	1		
33	Z38274	SPACER	3		
34	24M7478	WASHER, METALLIC, ROUND HOLE	1		
35	40M7258	RING	1		
36	HXE79489	SUPPORT, SIDEKNIFE REAR CLUTCH SUPP	1		
37	AXE43734	BALL BEARING, FOUR POINT BEARING TW	1		
38	AXE57146	CONNECTING ROD, SIDEKNIFE DRIVE CON	1		
39	HXE90089	SCREW, FIT BOLT M12 X 105 10.9	1		
40	58M5573	FITTING, LUBRICANT, METRIC, CONE HD	1		
41	HXE105371	SCREW, HEX SCREW /W ADHESIVE M12 X	2		
42	24M7044	Washer	1		
43	Z32078	HOLDER	2		
44	Z25462	EXTENSION SPRING, EXTENSION SPRING	2		
45	HXE75151	CLUTCH, SIDEKNIFE CLUTCH	1		
46	HXE101067	CONNECTING ROD, CONNECTION	2		

Side Knife, LH

XG340696R2

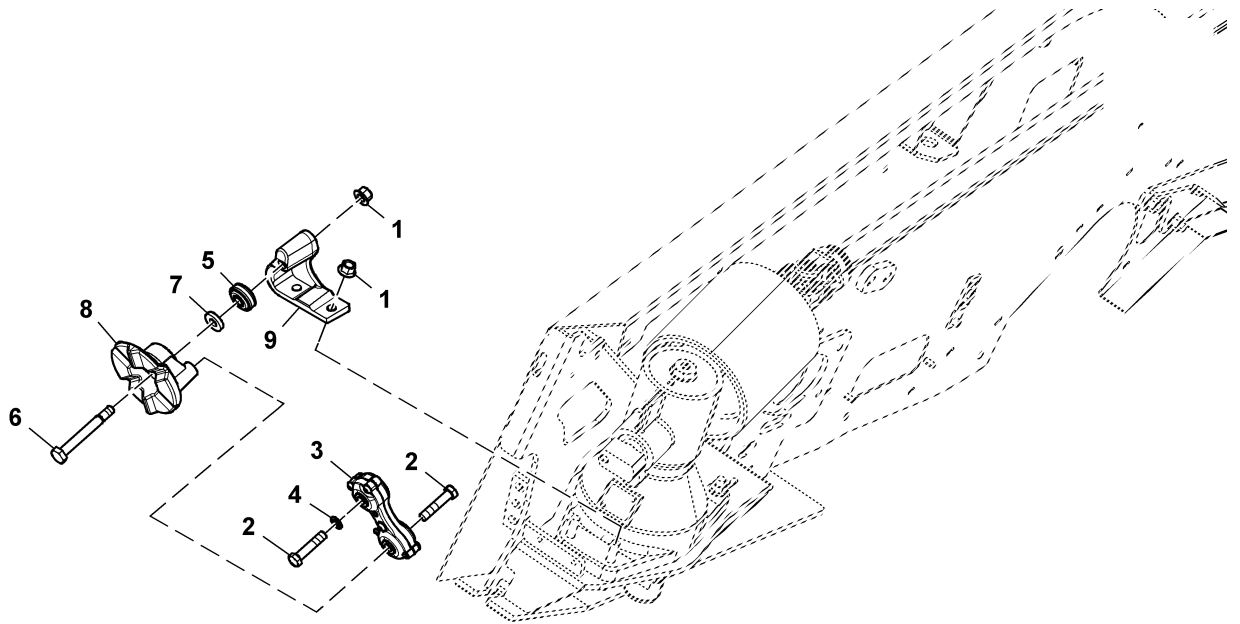


XG340696R2

Pos.	Artikel-Nr.	Benennung	Menge	Serial	No.
47	54856	CROP DIVIDER	1		
48	19M7744	SCREW, HEX HEAD, METRIC	2		
49	HXE99858	LINK, SIDEKNIFE DRIVE MECHANICS	2		
50	18359	PLUG	1		
51	HXE74970	SUPPORT, SIDEKNIFE CUTTERBAR	1		
52	HXE74604	BRACKET, SIDEKNIFE FIXING BRACKET	1		
53	18350	GUARD	1		

Clutch, Side Knife, LH

XG327555

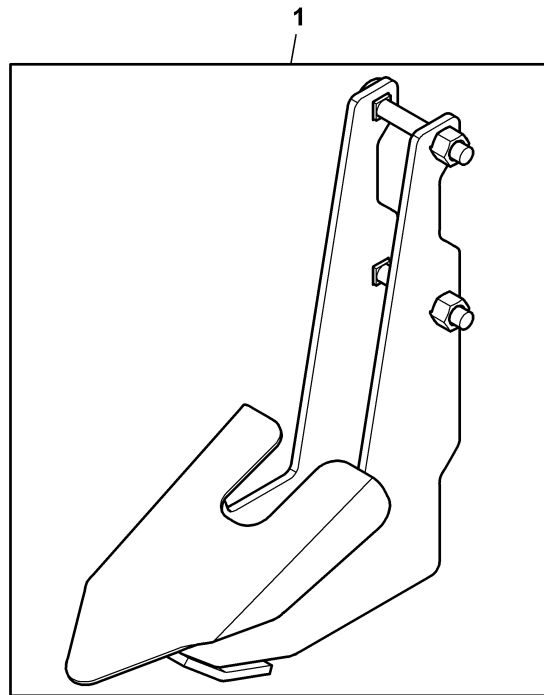


XG327555

Pos.	Artikel-Nr.	Benennung	Menge	Serial	No.
1	H137329	LOCK NUT, FLANGE LOCKNUT, DEFLECTED	1		
2	HXE105371	SCREW, HEX SCREW /W ADHESIVE M12 X	2		
3	AXE57146	CONNECTING ROD, SIDEKNIFE DRIVE CON	1		
4	24M7044	Washer	1		
5	AXE43734	BALL BEARING, FOUR POINT BEARING TW	1		
6	HXE90089	SCREW, FIT BOLT M12 X 105 10.9	1		
7	24M7478	WASHER, METALLIC, ROUND HOLE	1		
8	HXE75151	CLUTCH, SIDEKNIFE CLUTCH	1		
9	HXE79489	SUPPORT, SIDEKNIFE REAR CLUTCH SUPP	1		

Crop Side Knife Divider, Attachment

XG353945

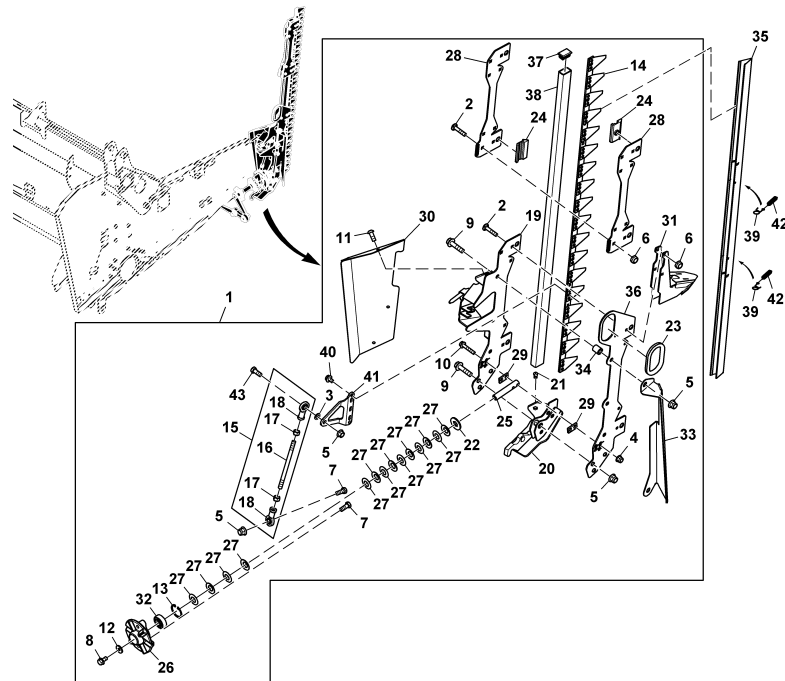


XG353945

Pos.	Artikel-Nr.	Benennung	Menge	Serial	No.
1	54856	CROP DEVIDER	1		

Side Knife, RH

XG340697R2

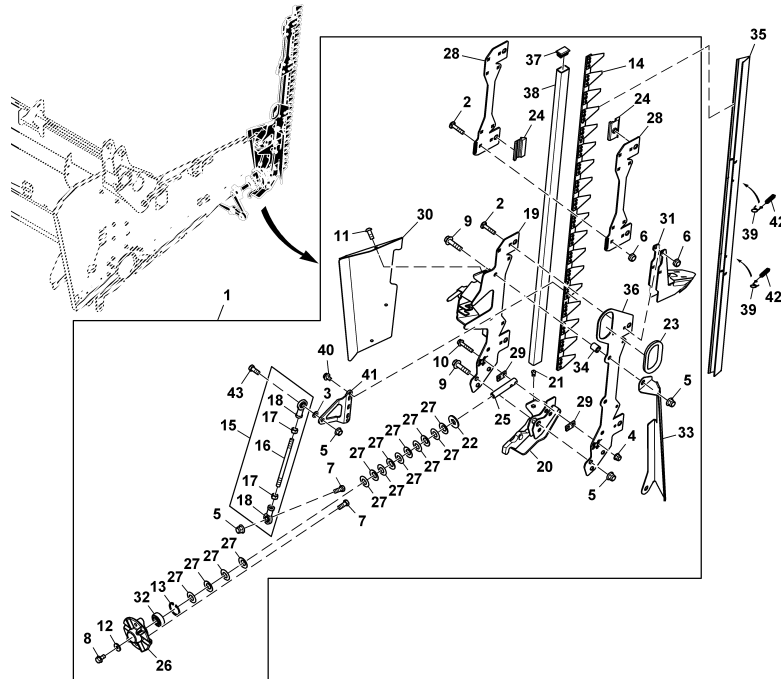


XG340697R2

Pos.	Artikel-Nr.	Benennung	Menge	Serial	No.
1	54368	SIDE KNIFE, RH, PF740	1		
2	03M7071	BOLT, RD HD SQ LONG NECK, METRIC	13		
3	24M7047	WASHER, METALLIC, ROUND HOLE	2		
4	14M7298	NUT, METRIC, HEX FLANGE	2		
5	14M7401	NUT, METRIC, HEX FL, SELF LOCKING	8		
6	14M7327	NUT, METRIC, HEX PREVAILING TORQUE	13		
7	19M7285	SCREW, HEX HEAD, METRIC	4		
8	19M7162	SCREW, HEX HEAD, METRIC	1		
9	19M8306	SCREW, FLANGED, METRIC	6		
10	19M8318	SCREW, FLANGED, METRIC	2		
11	21M7572	SCREW, HEX SKT BUTTON HD, METRIC	3		
12	24M7207	WASHER, METALLIC, ROUND HOLE	1		
13	40M1863	RING, INTERNAL SNAP	1		
14	54370	SIDE KNIFE, 18 KNIVES	2		
15	54960	LINK	2		
16	HXE66583	ROD, THREADED ROD SIDEKNIFE LINK	1		
17	14M7275	NUT, METRIC, HEX	2		
18	AXE43657	LINK END, M12 RH THREAD MAINTENANCE	2		
19	AXE52238	SUPPORT, ATTACHEMENT OF SIDEKNIFE R	1		
20	AXE43661	BRACKET, SIDEKNIFE ATTACHEMENT RH	1		
21	H162860	NUT, HEX THREADED INSERT M8 RIV-NUT	1		
22	H165874	WASHER	1		
23	H172261	GROMMET, TOP TUBE SHIELD	1		

Side Knife, RH

XG340697R2

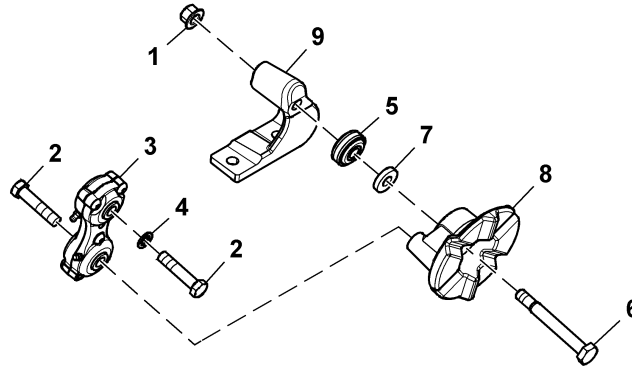


XG340697R2

Pos.	Artikel-Nr.	Benennung	Menge	Serial	No.
24	18343	GUIDE	8		
25	HXE112171	SHAFT, HEXSHAFT HARDENED	1		
26	HXE66352	CLUTCH, CASTED SIDEKNIFE CLUTCH	1		
27	HXE74606	DISK SPRING, DISK SPRING	14		
28	HXE74974	BRACKET, SIDEKNIFE GUIDE CLAMP	2		
29	HXE74984	ISOLATOR, RUBBERSPACER SIDEKNIFE	2		
30	HXE75053	COVER, INSIDECOVER SIDEKNIFE LH	1		
31	54856	CROP DIVIDER	1		
32	AXE46545	BALL BEARING, CYLINDRICAL OUTER / H	1		
33	54308	GUARD ST, RIGHT OUTSIDE	1		
34	Z38274	SPACER	3		
35	18350	GUARD	1		
36	HXE74604	BRACKET, SIDEKNIFE FIXING BRACKET	1		
37	HXE63021	PLUG, RECTANGULAR PLUG 25X40	1		
38	HXE74970	SUPPORT, SIDEKNIFE CUTTERBAR	1		
39	Z32078	HOLDER	2		
40	19M9294	SCREW, SCREW, SCREW, FLANGED, METRI	4		
41	HXE99858	LINK, SIDEKNIFE DRIVE MECHANICS	2		
42	Z25462	EXTENSION SPRING, EXTENSION SPRING	2		
43	19M7744	SCREW, HEX HEAD, METRIC	2		

Clutch, Side Knife, RH

XG327555R2

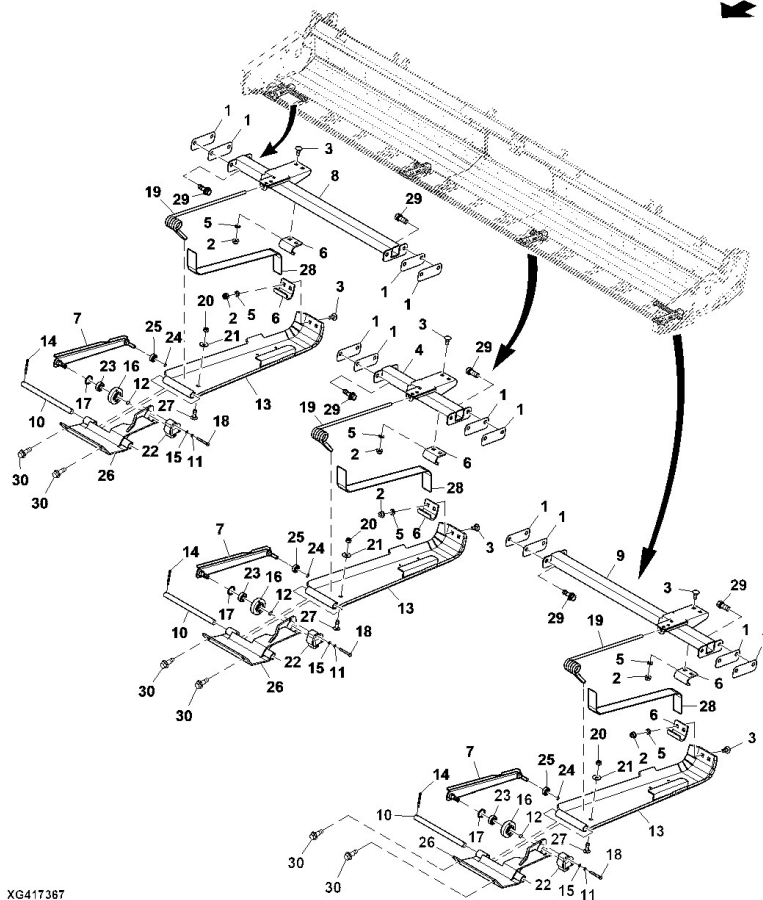


XG327555R2

Pos.	Artikel-Nr.	Benennung	Menge	Serial	No.
1	H137329	LOCK NUT, FLANGE LOCKNUT, DEFLECTED	1		
2	HXE105371	SCREW, HEX SCREW /W ADHESIVE M12 X	2		
3	AXE57146	CONNECTING ROD, SIDEKNIFE DRIVE CON	1		
4	24M7044	Washer	1		
5	AXE43734	BALL BEARING, FOUR POINT BEARING TW	1		
6	HXE90089	SCREW, FIT BOLT M12 X 105 10.9	1		
7	24M7478	WASHER, METALLIC, ROUND HOLE	1		
8	HXE75151	CLUTCH, SIDEKNIFE CLUTCH	1		
9	HXE79490	SUPPORT, SIDEKNIFE REAR CLUTCH SUPP	1		

Auto Header Height Control Sensors

XG417367

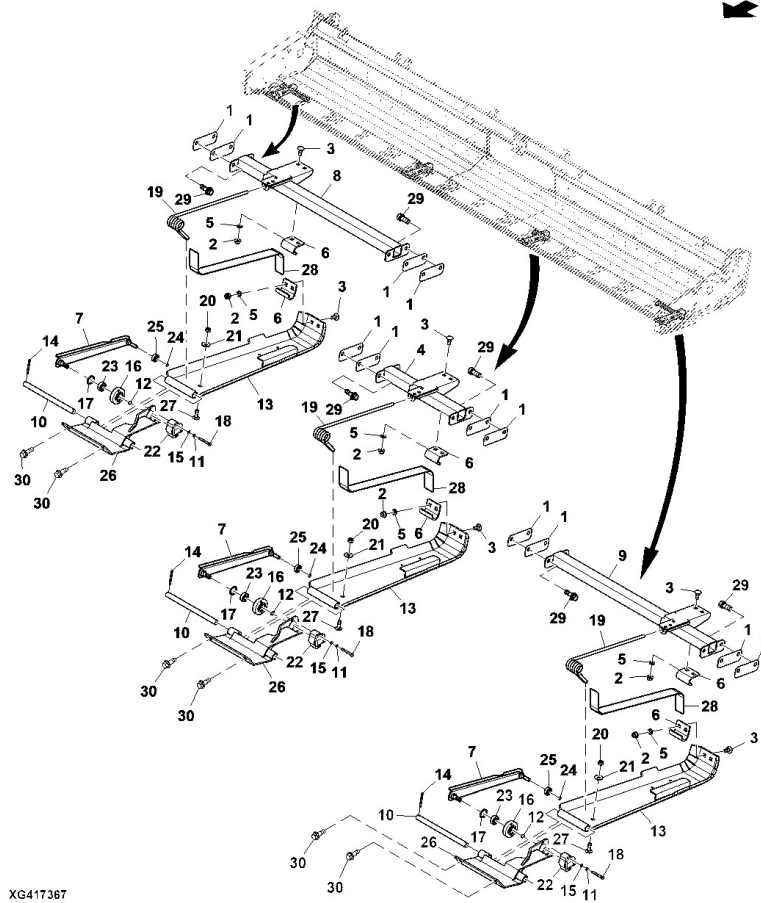


XG417367

Pos.	Artikel-Nr.	Benennung	Menge	Serial	No.
1	54479	PLATE	16		
2	70005	SIMILAR DIN 6923 RATCHET TOOTHED NU	16		
3	70511	LOCK SCREW DIN603 M8X20	16		
4	54258	SUPPORT, SENSING SKID, MIDDLE	2		
5	70109	DIN125 FLAT WASHER 8,4 MM, YELLOW	16		
6	HXE65807	BRACKET, BELT GUIDE	8		
7	54512	LEVER, SENSOR, MY18	4		
8	54325	SUPPORT, SENSING SKID, RIGHT	1		
9	54259	SUPPORT, SENSING SKID, LEFT	1		
10	54226	SHAFT, SENSING SKID, G2	4		
11	093930	SPRING WASHER DIN127 A5	8		
12	093683	LOCKING RING DIN471 10X1, 0	4		
13	53976	ASSEMBLY, SENSING SKID, G2	6		
14	70306	PIN DIN94 4X36	8		
15	70073	WASHER DIN125 A5	8		
16	53977	BRACKET, POTI	4		
17	70599	RING	4		
18	093931	HEXAGONAL SCREW DIN931 M5X40	8		
19	51042	SPRING, SKID PLATE	4		
20	70103	DIN 985 HEXAGON NUT M8, BLUE	4		
21	092531	WASHER	4		
22	AXE57294	SENSOR, SENSOR, HALL EFFECT 84 DEG	4		
23	093578	BEARING	4		

Auto Header Height Control Sensors

XG417367

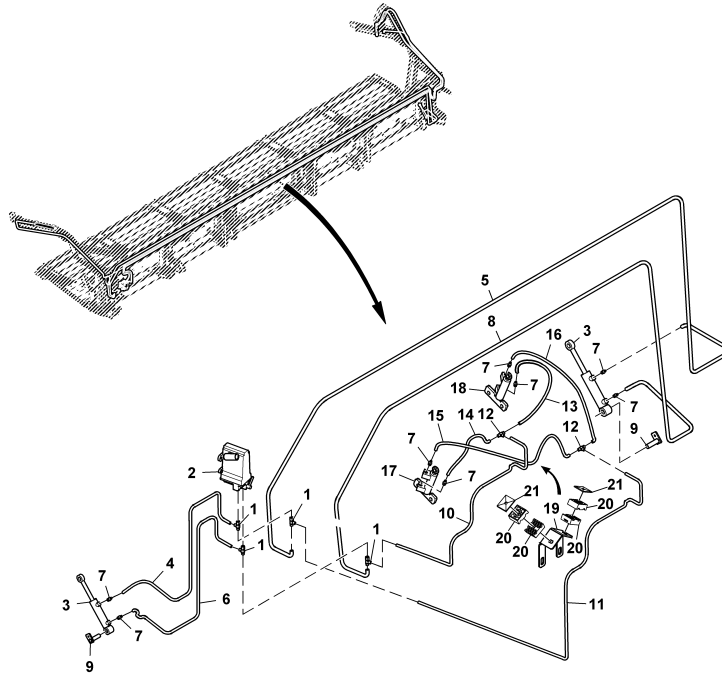


XG417367

Pos.	Artikel-Nr.	Benennung	Menge	Serial	No.
24	093932	LOCKING RING DIN471 8X0, 8	4		
25	093880	BEARING	4		
26	53981	BRACKET ASSEMBLY G2, SENSING SKID,	4		
27	093290	SCREW	4		
28	53836	STRAP	4		
29	70047	RATCHET TOOTHED SCREW M10X25 YELLOW	16		
30	70043	RATCHET TOOTHED SCREW M8X16 YELLOW	8		

Hydraulic Auger Lift

XG532093

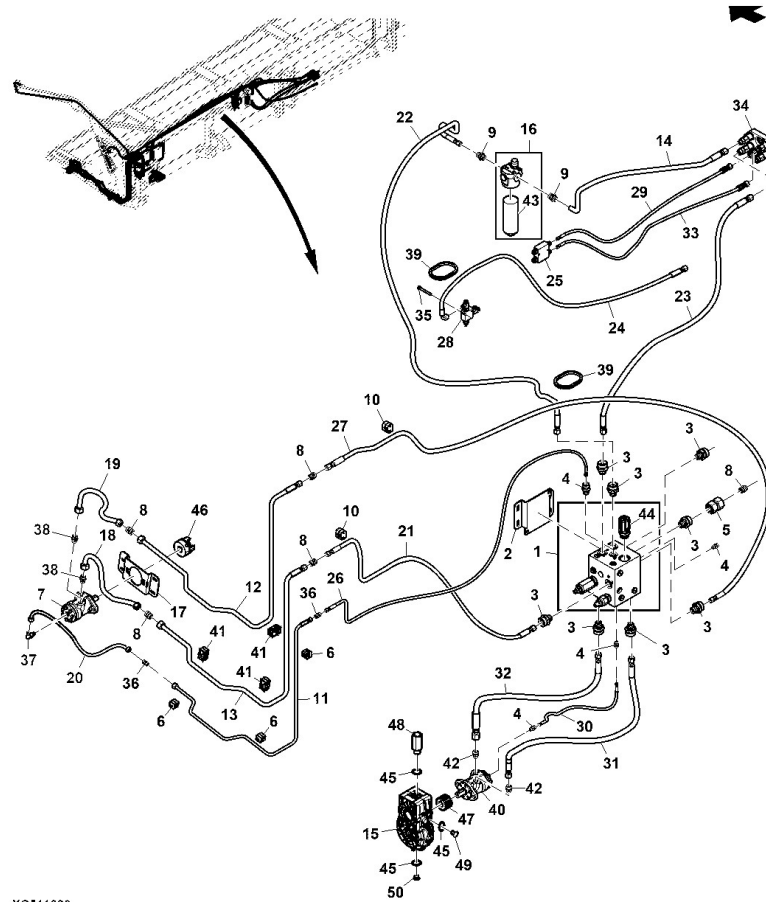


XG532093

Pos.	Artikel-Nr.	Benennung	Menge	Serial	No.
1	50377	T-ADAPTER	4		
2	50376	HYDRAULIC PUMP	1		
3	50348	CYLINDER	2		
4	52849	HYDRAULIC HOSE AUGER DRIVE RH PART	1		
5	54302	HOSE	1		
6	52850	HYDRAULIC HOSE PUMP T-ADAPTER MIDDL	1		
7	090113	FITTING	8		
8	54303	HOSE	1		
9	50353	PIN FASTENER	2		
10	54406	HOSE	1		
11	54407	HOSE	1		
12	092202	FITTING	2		
13	54759	PIPE	1		
14	54758	PIPE	1		
15	54757	PIPE	1		
16	54756	PIPE	1		
17	52776	HYDRAULIC CYLINDER, AUGER, LH	1		
18	52702	HYDRAULIC CYLINDER, AUGER RH	1		
19	54750	BRACKET	1		
20	093773	CLAMP	4		
21	090846	PLATE	2		

Hydraulic Valve, Hoses and Reel Lift Slave Cylinder, LH (- 021050)

XG511320

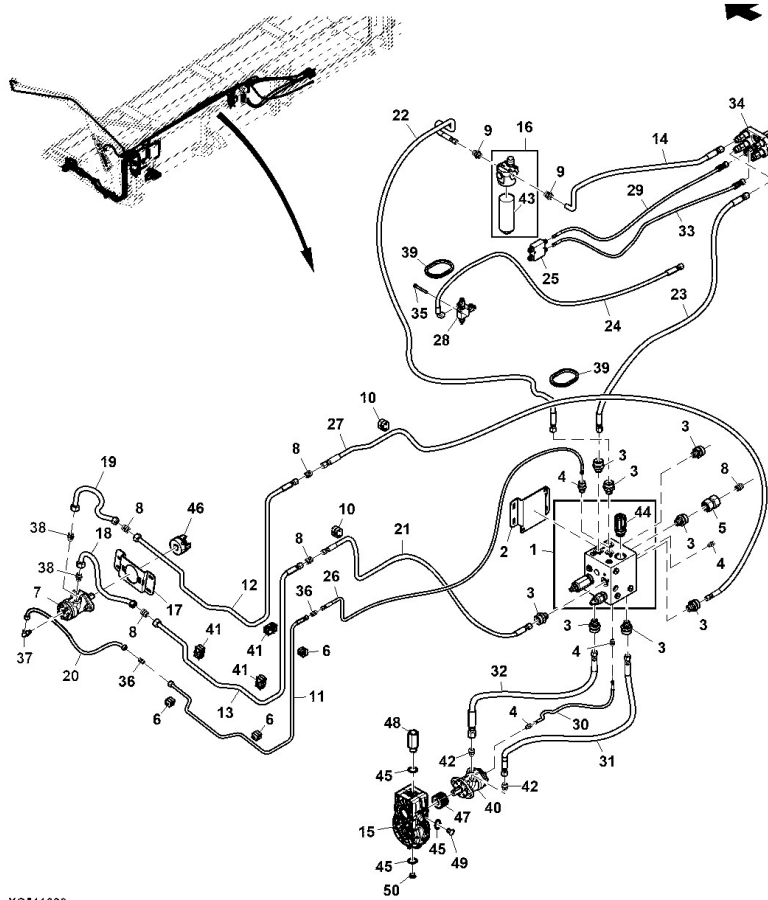


XG511320

Pos.	Artikel-Nr.	Benennung	Menge	Serial	No.
1	53115	HYDRAULIC BLOCK WITH CONNECTIONS	1		
2	53326	BRACKET	1		
3	092782	HYDRAULIC SCREW CONNECTION	8		
4	090038	HYDRAULIC SCREW CONNECTION	4		
5	090579	HYDRAULIC SCREW CONNECTION	1		
6	52569	CLAMP	4		
7	52636	MOTOR, CONVEYER	1		
8	090001	HYDRAULIC SCREW CONNECTION	5		
9	091023	HYDRAULIC SCREW CONNECTION	2		
10	53203	CLAMP	3		
11	53211	HYDRAULIC PIPE	1		
12	53213	HYDRAULIC PIPE	1		
13	53214	HYDRAULIC PIPE	1		
14	53228	HYDRAULIC HOSE	1		
15	52633	GEAR MP21	1		- 020970
15	54761	GEAR	1	020971 -	020971
15	52633	GEAR MP21	1	020972 -	020978
15	54761	GEAR	1	020979 -	
15	52633	GEAR MP21	1	020981 -	
15	54761	GEAR	1	020983 -	
15	54761	GEAR	1	020985 -	020987
15	52633	GEAR MP21	1	020988 -	020988
15	54761	GEAR	1	020989 -	020994

Hydraulic Valve, Hoses and Reel Lift Slave Cylinder, LH (- 021050)

XG511320

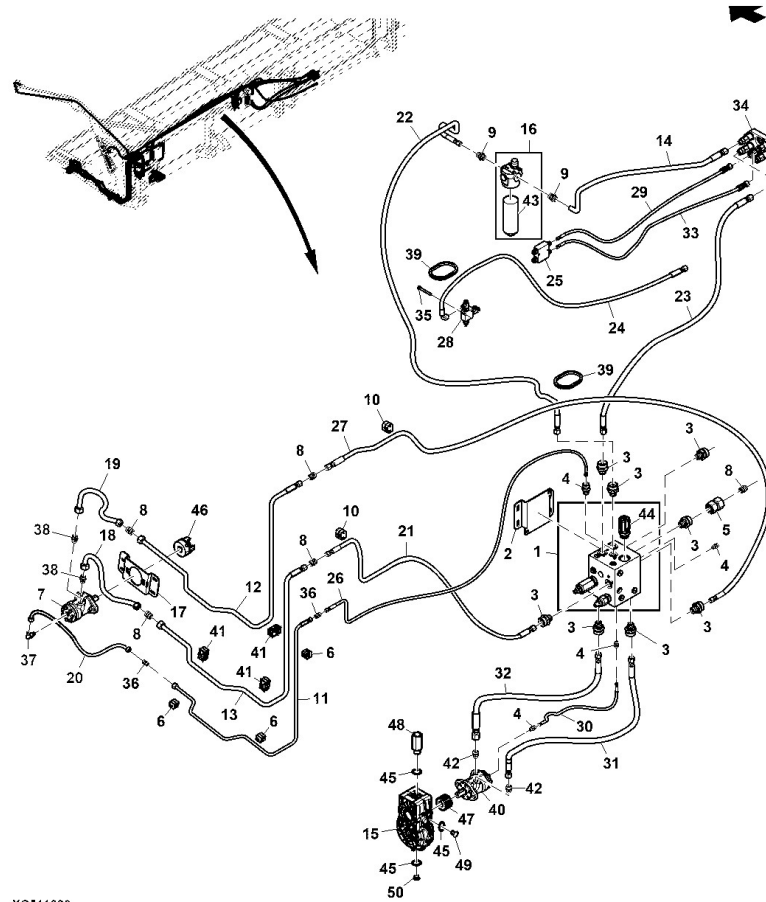


XG511320

Pos.	Artikel-Nr.	Benennung	Menge	Serial	No.
15	52633	GEAR MP21	1	020995 -	020997
15	54761	GEAR	1	020998 -	021002
15	52633	GEAR MP21	1	021003 -	021003
15	54761	GEAR	1	021004 -	
16	55019	FILTER MY2018_PF700	1		
17	54884	BRACKET	1		
18	53623	HYDRAULIC HOSE	1		
19	53624	HYDRAULIC HOSE	1		
20	53625	HYDRAULIC HOSE	1		
21	53659	TUBE, RETURN LINE, MOTOR	1		
22	54296	HOSE	1		
23	54299	HOSE	1		
24	53692	HOSE	1		
25	AXE52822	CHECK VALVE, REEL FORE/AFT PO CHECK	1		
26	54102	TUBE, LEAKAGE OIL	1		
27	54103	HY TUBE, PRESSURE, MOTOR	1		
28	AXE48537	FLOW CONTROL HYD. VALVE, FLOW CONTR	1		
29	54225	HOSE	1		
30	54267	HOSE	1		
31	54268	HOSE	1		
32	54269	HOSE	1		
33	54319	HOSE	1		
34	AH166991	COUPLING, MULTI - COUPLER, MOBILE P	1		

Hydraulic Valve, Hoses and Reel Lift Slave Cylinder, LH (- 021050)

XG511320

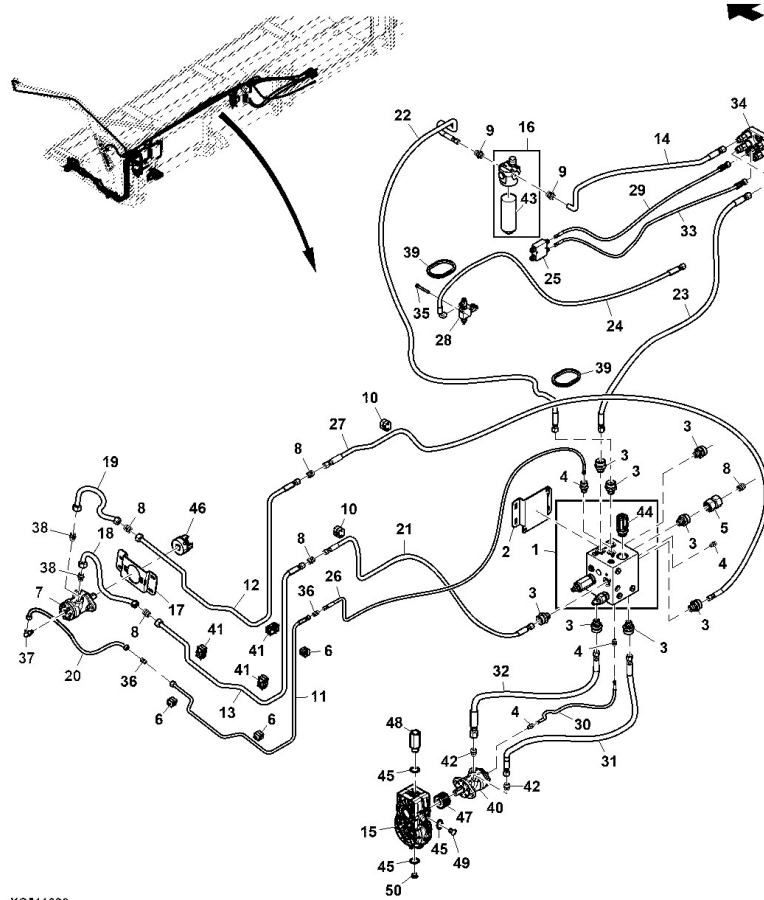


XG511320

Pos.	Artikel-Nr.	Benennung	Menge	Serial	No.
35	091537	BOLT	2		
36	090663	HYDRAULIC SCREW CONNECTION	2		
37	092859	HYDRAULIC SCREW CONNECTION	1		
38	090128	HYDRAULIC SCREW CONNECTION	4		
39	HXE73919	GROMMET, TOP RAIL GROMMET	2		
40	52635	PUMP	1		- 020970
40	54760	PUMP	1	020971 -	020971
40	52635	PUMP	1	020972 -	020978
40	54760	PUMP	1	020979 -	020979
40	52635	PUMP	1	020981 -	
40	54760	PUMP	1	020983 -	
40	54760	PUMP	1	020985 -	020987
40	52635	PUMP	1	020988 -	
40	54760	PUMP	1	020989 -	020994
40	52635	PUMP	1	020995 -	020997
40	54760	PUMP	1	020998 -	021002
40	52635	PUMP	1	021003 -	021003
40	54760	PUMP	1	021004 -	
41	52566	CLAMP	3		
42	53387	FITTING, ELBOW	2		
43	55020	FILTERPATRONE FÜR 55019_PF700	1		
44	54811	VALVE	1		
45	54900	SEALING	3		

Hydraulic Valve, Hoses and Reel Lift Slave Cylinder, LH (- 021050)

XG511320

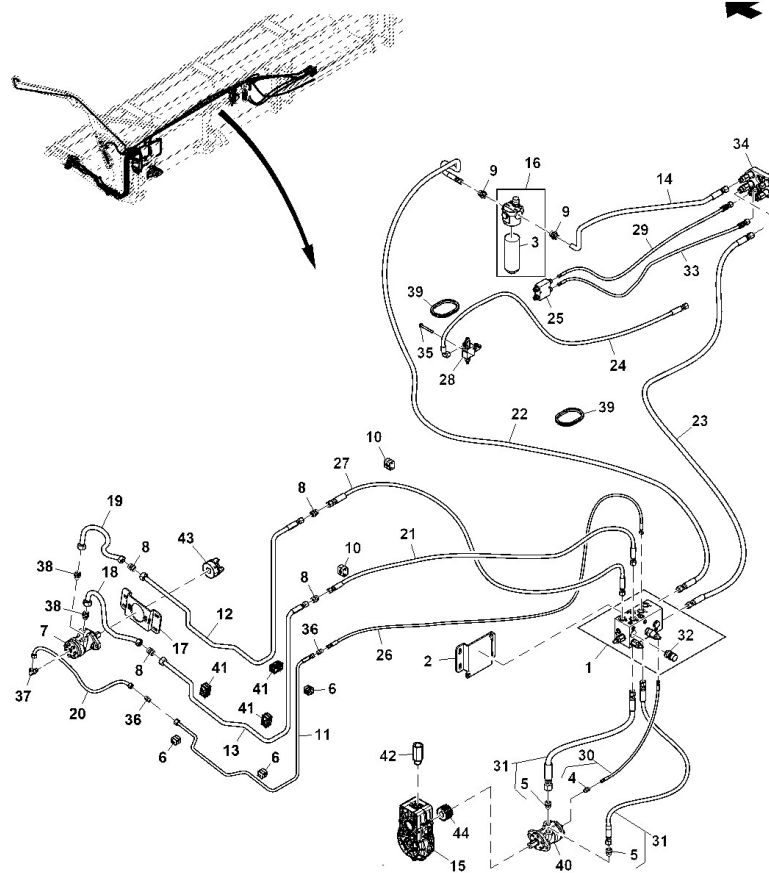


XG511320

Pos.	Artikel-Nr.	Benennung	Menge	Serial	No.
46	53262	ROTEX COUPLING COMPLETE	1		
47	52634	SPROCKET	1		
48	54897	BLEED SCREW	1		
49	54898	SIGHT GLASS	1		
50	54899	DRAIN PLUG	1		

Hydraulic Valve, Hoses and Reel Lift Slave Cylinder, LH (021051 -)

XG511321

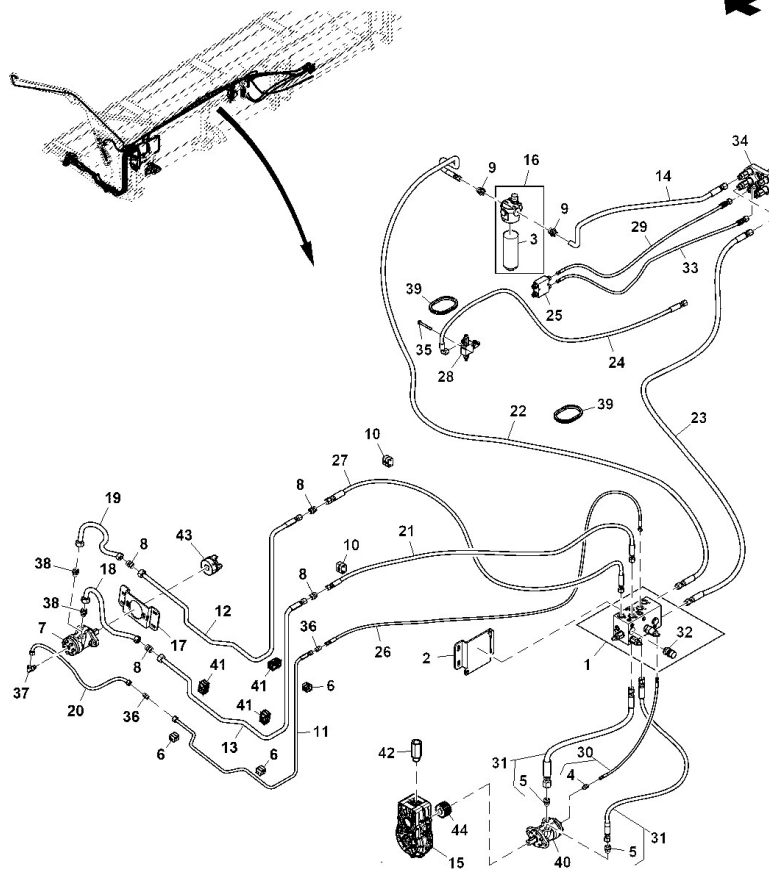


XG511321

Pos.	Artikel-Nr.	Benennung	Menge	Serial	No.
1	54826	HYDRAULIC BLOCK	1		
2	54827	BRACKET	1		
3	53846	FILTER CARTRIDGE	1		
4	090038	HYDRAULIC SCREW CONNECTION	1		
5	53387	FITTING, ELBOW	2		
6	52569	CLAMP	4		
7	52636	MOTOR, CONVEYER	1		
8	090001	HYDRAULIC SCREW CONNECTION	5		
9	091023	HYDRAULIC SCREW CONNECTION	2		
10	53203	CLAMP	3		
11	53211	HYDRAULIC PIPE	1		
12	53213	HYDRAULIC PIPE	1		
13	53214	HYDRAULIC PIPE	1		
14	53228	HYDRAULIC HOSE	1		
15	54761	GEAR	1		
16	53352	FILTER	1		
17	54884	BRACKET	1		
18	53623	HYDRAULIC HOSE	1		
19	53624	HYDRAULIC HOSE	1		
20	53625	HYDRAULIC HOSE	1		
21	54832	PIPE	1		
22	54879	HOSE	1		
23	54880	HOSE	1		

Hydraulic Valve, Hoses and Reel Lift Slave Cylinder, LH (021051 -)

XG511321

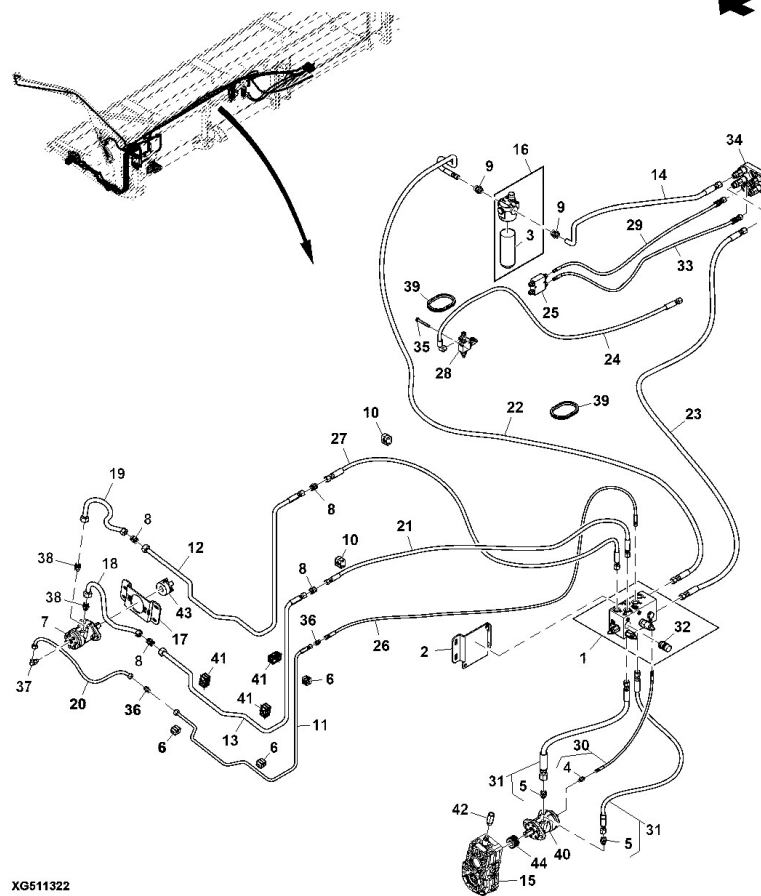


XG511321

Pos.	Artikel-Nr.	Benennung	Menge	Serial	No.
24	53692	HOSE	1		
25	AXE52822	CHECK VALVE, REEL FORE/AFT PO CHECK	1		
26	54830	PIPE	1		
27	54831	PIPE	1		
28	AXE48537	FLOW CONTROL HYD. VALVE, FLOW CONTR	1		
29	54225	HOSE	1		
30	54267	HOSE	1		
31	54268	HOSE	2		
32	54972	VALVE	1		
33	54319	HOSE	1		
34	AH166991	COUPLING, MULTI - COUPLER, MOBILE P	1		
35	091537	BOLT	2		
36	090663	HYDRAULIC SCREW CONNECTION	2		
37	092859	HYDRAULIC SCREW CONNECTION	1		
38	090128	HYDRAULIC SCREW CONNECTION	4		
39	HXE73919	GROMMET, TOP RAIL GROMMET	2		
40	54760	PUMP	1		
41	52566	CLAMP	3		
42	54848	EXTENSION	1		
43	53262	ROTEX COUPLING COMPLETE	1		
44	54968	PINION	1		

Hydraulic Valve, Hoses and Reel Lift Slave Cylinder, LH (North America Only) (021051 -)

XG511322

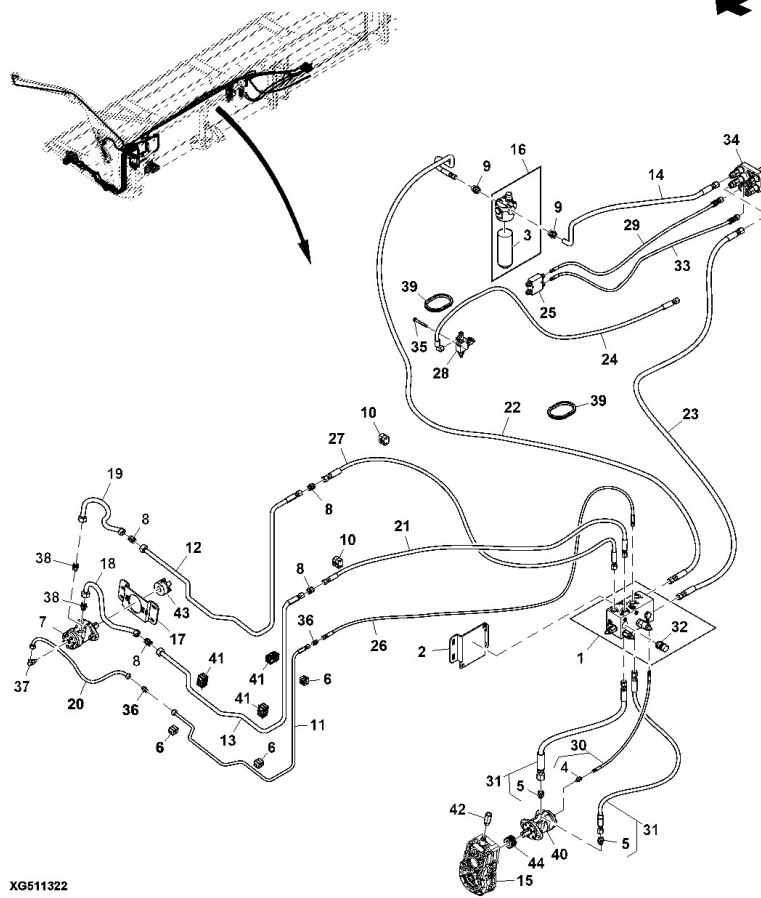


XG511322

Pos.	Artikel-Nr.	Benennung	Menge	Serial	No.
1	54876	HYDRAULIC BLOCK	1		
2	54827	BRACKET	1		
3	53846	FILTER CARTRIDGE	1		
4	090038	HYDRAULIC SCREW CONNECTION	1		
5	53387	FITTING, ELBOW	2		
6	52569	CLAMP	4		
7	52636	MOTOR, CONVEYER	1		
8	090001	HYDRAULIC SCREW CONNECTION	5		
9	091023	HYDRAULIC SCREW CONNECTION	2		
10	53203	CLAMP	3		
11	53211	HYDRAULIC PIPE	1		
12	53213	HYDRAULIC PIPE	1		
13	53214	HYDRAULIC PIPE	1		
14	53228	HYDRAULIC HOSE	1		
15	54761	GEAR	1		
16	53352	FILTER	1		
17	54884	BRACKET	1		
18	53623	HYDRAULIC HOSE	1		
19	53624	HYDRAULIC HOSE	1		
20	53625	HYDRAULIC HOSE	1		
21	54832	PIPE	1		
22	54879	HOSE	1		
23	54880	HOSE	1		

Hydraulic Valve, Hoses and Reel Lift Slave Cylinder, LH (North America Only) (021051 -)

XG511322

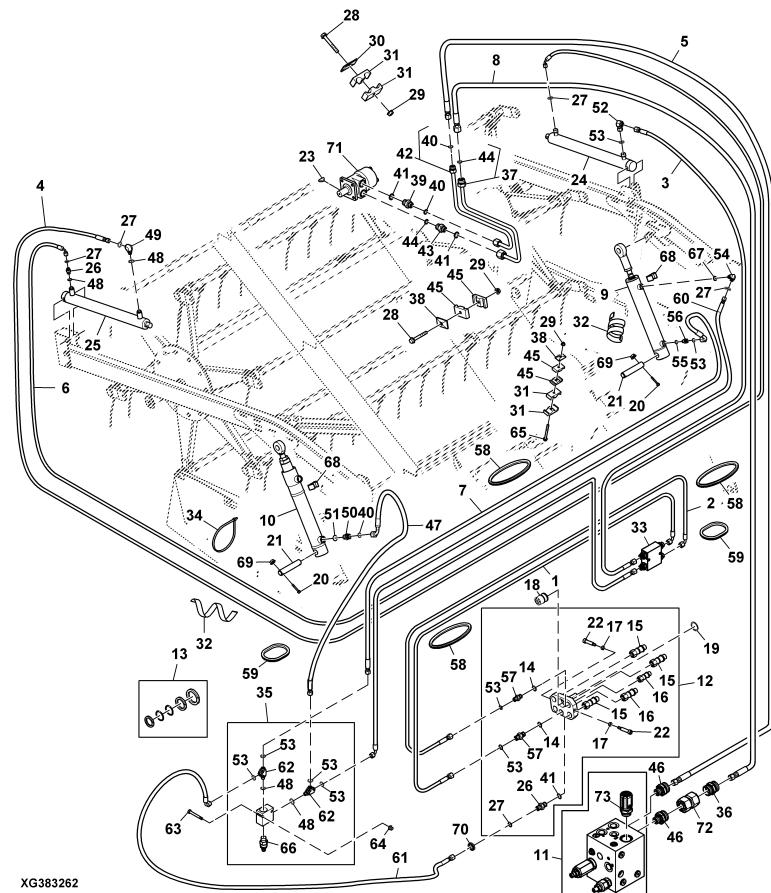


XG511322

Pos.	Artikel-Nr.	Benennung	Menge	Serial	No.
24	53692	HOSE	1		
25	AXE52822	CHECK VALVE, REEL FORE/AFT PO CHECK	1		
26	54830	PIPE	1		
27	54831	PIPE	1		
28	AXE48537	FLOW CONTROL HYD. VALVE, FLOW CONTR	1		
29	54225	HOSE	1		
30	54267	HOSE	1		
31	54268	HOSE	2		
32	54972	VALVE	1		
33	54319	HOSE	1		
34	AH166991	COUPLING, MULTI - COUPLER, MOBILE P	1		
35	091537	BOLT	2		
36	090663	HYDRAULIC SCREW CONNECTION	2		
37	092859	HYDRAULIC SCREW CONNECTION	1		
38	090128	HYDRAULIC SCREW CONNECTION	4		
39	HXE73919	GROMMET, TOP RAIL GROMMET	2		
40	54760	PUMP	1		
41	52566	CLAMP	1		
42	54848	EXTENSION	1		
43	53262	ROTEX COUPLING COMPLETE	1		
44	54968	PINION	1		

Hydraulic Valve, Hoses and Reel Lift Slave Cylinders (- 021050)

XG383262

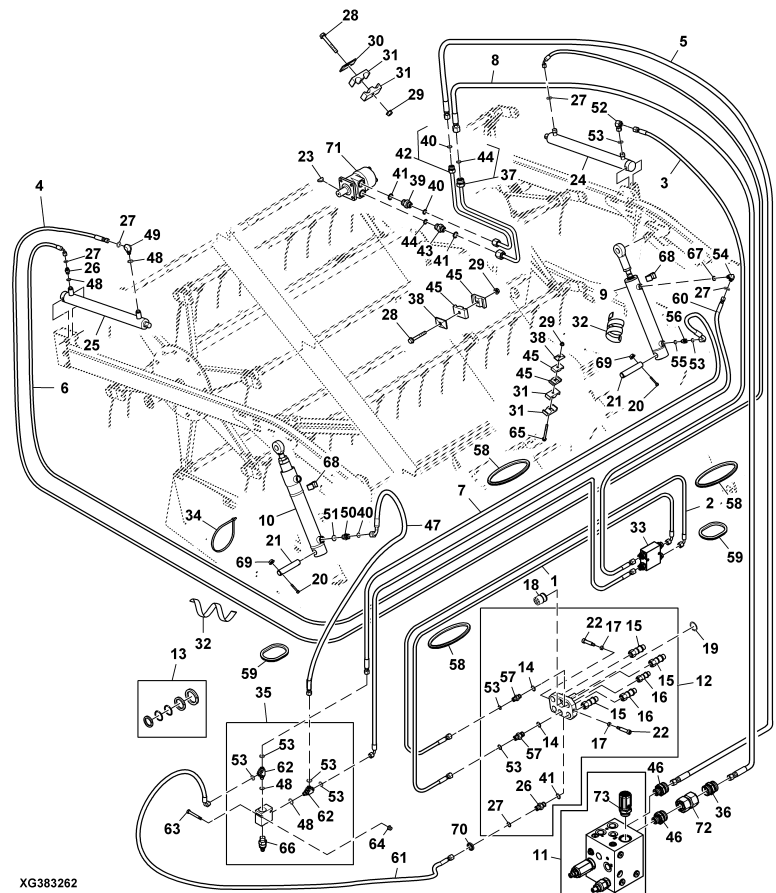


XG383262

Pos.	Artikel-Nr.	Benennung	Menge	Serial	No.
1	54225	HOSE	1		
2	54319	HOSE	1		
3	54304	HOSE	1		
4	54300	HOSE	1		
5	54298	HOSE	1		
6	54301	HOSE	1		
7	54295	HOSE	1		
8	54297	HOSE	1		
9	AXE47472	HYDRAULIC CYLINDER, REEL LIFT MASTE	1		
10	AXE32960	HYDRAULIC CYLINDER, SLAVE CYLINDER	1		
11	53115	HYDRAULIC BLOCK WITH CONNECTIONS	1		
12	AH166991	COUPLING, MULTI - COUPLER, MOBILE P	1		
13	AH225673	KIT, SEAL 1/2 CARTRIDGE	1		
14	R26375	O-RING, PACKING, -O- RING	3		
15	AH225669	HYDR. QUICK COUPLER SOCKET, COUPLER,	3		
15	AXE60985	HYDR. QUICK COUPLER PLUG, COUPLER,	3		
15	AXE61024	SEAL KIT, KIT, SEAL 9/16" CARTRIDGE	3		
16	AXE60986	HYDR. QUICK COUPLER PLUG, COUPLER,	2		
16	AXE61023	SEAL KIT, KIT, SEAL 3/8" CARTRIDGE	2		
17	HXE117553	BUSHING, BUSHING, MULTI-COUPLER, MO	5		
18	AH168765	CONNECTOR BODY, PIN CONTACT, 31 PIN	1		
19	H175880	SNAP RING, SNAP RING, EXTERNAL	1		
20	19M8321	SCREW, FLANGED, METRIC	2		

Hydraulic Valve, Hoses and Reel Lift Slave Cylinders (- 021050)

XG383262

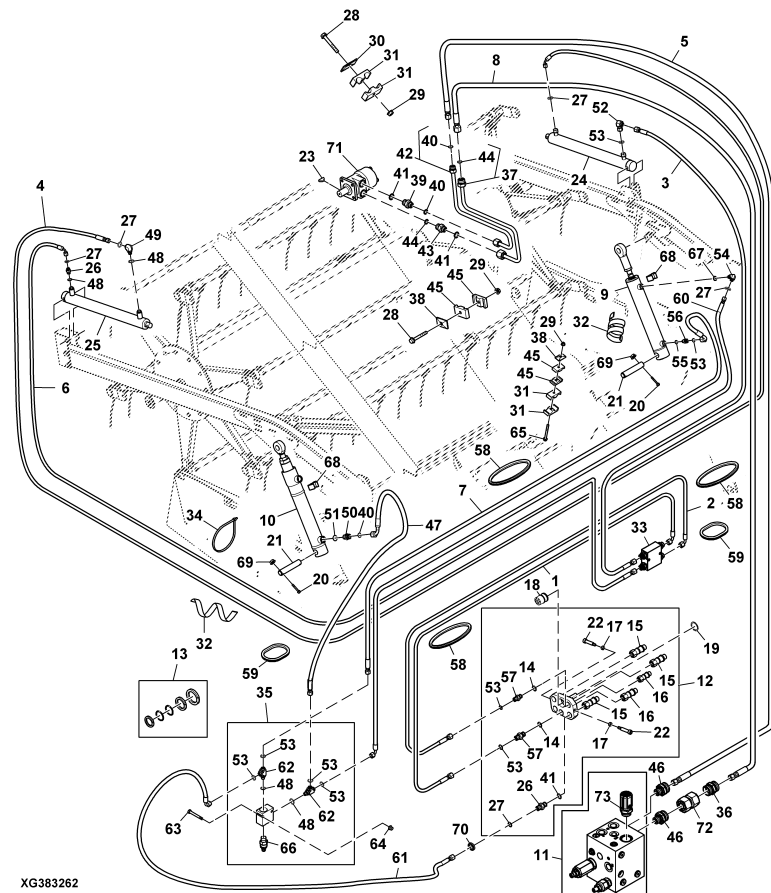


XG383262

Pos.	Artikel-Nr.	Benennung	Menge	Serial	No.
21	HXE87694	PIN, PIN REEL ARM 600X	2		
22	H170523	WASHER, DISK, IDENTIFICATION - GREE	2		
23	Z77367	WOODRUFF KEY	1		
24	AHC14009	HYDRAULIC CYLINDER, 40X25-450,574 (1		
25	AHC14008	HYDRAULIC CYLINDER, 40X25-450,574 (1		
26	38H1168	ADAPTER,O-RING FSF	3		
27	T77814	O-RING, O-RING	4		
28	19M7801	SCREW, FLANGED, METRIC	3		
29	14M7298	NUT, METRIC, HEX FLANGE	5		
30	H112567	PLATE - COVER TWIN CLAMP GROUP 3	2		
31	H122772	CLAMP-TWIN 7/8INX7/8IN OD TUBING	8		
32	H202510	STRAP W/BUCKLE	4		
33	AXE52822	CHECK VALVE, REEL FORE/AFT PO CHECK	1		
34	N189220	TIE BAND	2		
35	AXE48537	FLOW CONTROL HYD. VALVE, FLOW CONTR	1		
36	090001	HYDRAULIC SCREW CONNECTION	1		
37	AXE39202	OIL LINE, REEL HYDRAULIC MOTOR	1		
38	H121168	PLATE	3		
39	38H1174	ADAPTER,O-RING FSF	1		
40	T77857	O-RING, O-RING	3		
41	R26906	O-RING, PACKING O-RING-PUR	4		
42	AXE39203	OIL LINE, REEL HYDRAULIC MOTOR	1		
43	38H1162	ADAPTER,O-RING FSF	2		

Hydraulic Valve, Hoses and Reel Lift Slave Cylinders (- 021050)

XG383262

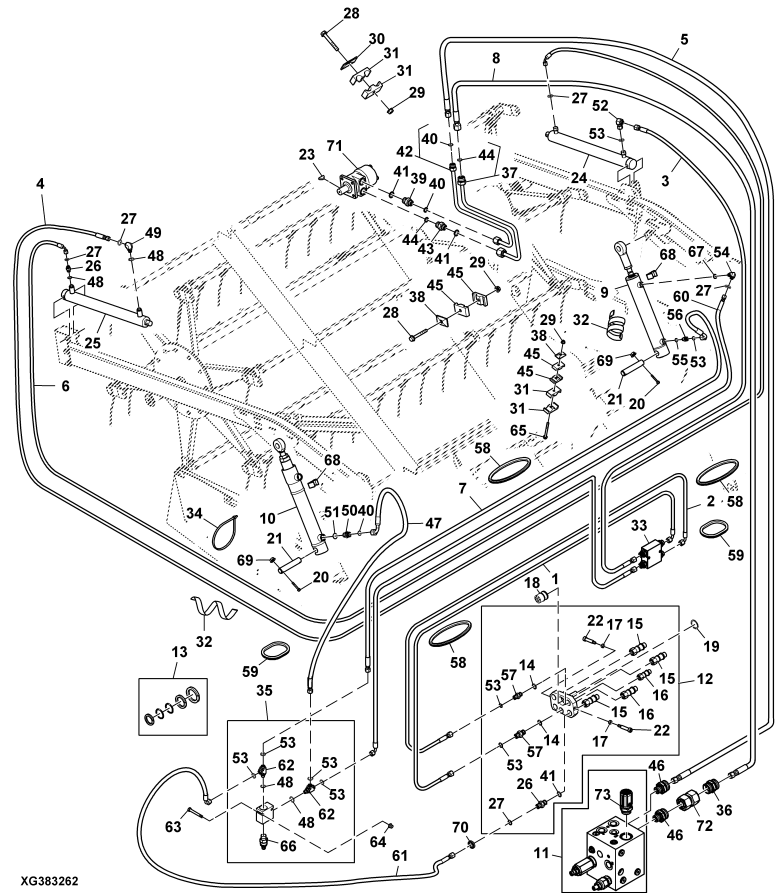


XG383262

Pos.	Artikel-Nr.	Benennung	Menge	Serial	No.
44	T77932	O-RING, O-RING	4		
45	H135156	CLAMP, TWIN 1/2 X 1/2	6		
46	092782	HYDRAULIC SCREW CONNECTION	2		
47	54293	HOSE	1		
48	R26448	O-RING, O-RING PACKING	3		
49	38H1009	ELBOW, 90 DEG. O-RING FSF	1		
50	38H5076	STUD STRAIGHT (SDS), ORFS	1		
51	51M7045	O RING, JDS-G173 M22 STUD	1		
52	38H1094	90 DEG SWIVEL ELBOW (SWE) ORFS	1		
53	T77613	O-RING, O-RING	4		
54	38H5026	ADJ STUD ELBOW (SDE), ORFS	1		
55	51M7041	O RING, JDS-G173 M14 STUD	1		
56	38H5002	STUD STRAIGHT (SDS), ORFS	1		
57	38H1171	ADAPTER, O-RING FSF	3		
58	HXE73920	GROMMET, TOP RAIL GROMMET	4		
59	HXE73919	GROMMET, TOP RAIL GROMMET	2		
60	54294	HOSE	1		
61	53692	HOSE	1		
62	38H1023	RUN TEE, O-RING FSF	2		
63	19M7595	SCREW, HEX HEAD, METRIC	2		
64	14M7397	NUT, METRIC, HEX FL, SELF LOCKING	2		
65	HXE12957	BOLT, M8 X 1.25 X 165 WITH 55MM OF	1		
66	HXE88572	MANUAL HYDRAULIC VALVE, NEEDLE TYPE	1		

Hydraulic Valve, Hoses and Reel Lift Slave Cylinders (- 021050)

XG383262

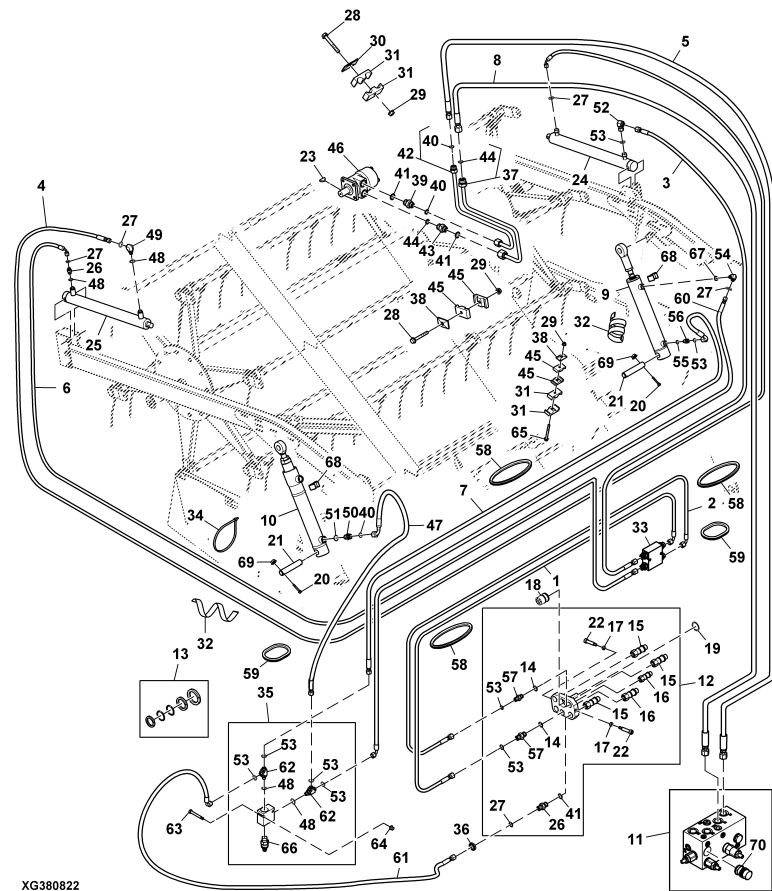


XG383262

Pos.	Artikel-Nr.	Benennung	Menge	Serial	No.
66	AH209116	SEAL KIT, AHC FC VALVE	1		
67	51M7043	O RING, JDS-G173 M18 STUD	1		
68	T102005	GUIDE	2		
69	H137327	LOCK NUT, FLANGE LOCKNUT, DEFLECTED	2		
70	N275799	ORIFICE, PLATE, ORIFICE (-6)	1		
71	AZ65723	HYDRAULIC MOTOR, HYDRAULIC MOTOR RE	1		
72	090579	HYDRAULIC SCREW CONNECTION	1		
73	54811	VALVE	1		
98	AA48301	SEAL KIT, 7 "AUGER DH100 MOTOR	1		
98	AZ62658	DUST SEAL RING	1		
98	AZ62659	GASKET	1		
98	AZ62660	NEEDLE BEARING	1		

Hydraulic Valve, Hoses and Reel Lift Slave Cylinders (021051 -) (- 021206)

XG380822

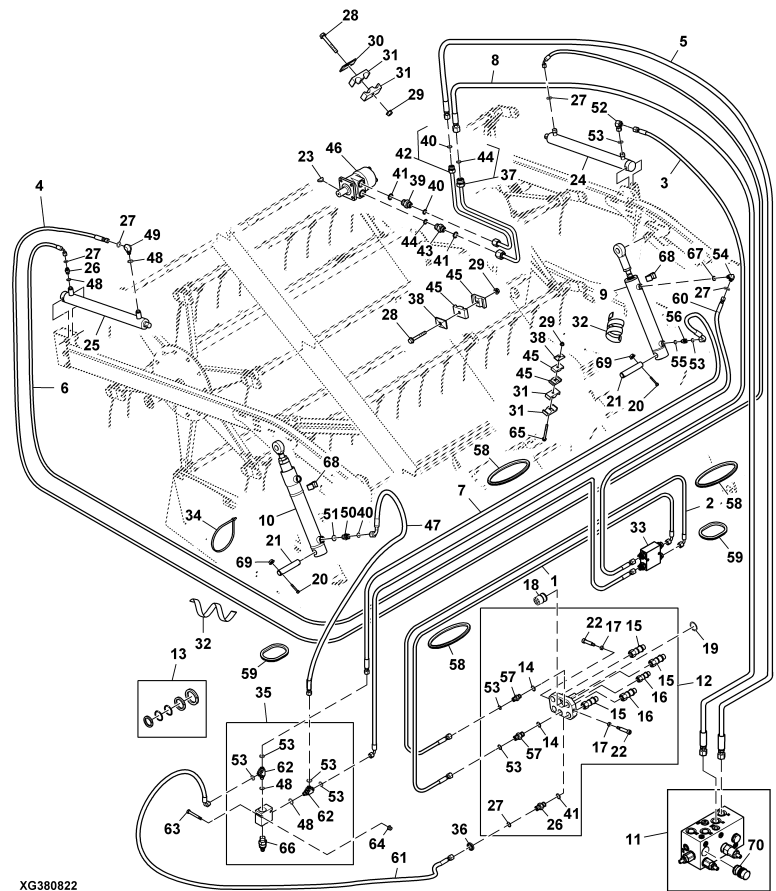


XG380822

Pos.	Artikel-Nr.	Benennung	Menge	Serial	No.
1	54225	HOSE	1		
2	54319	HOSE	1		
3	54221	HOSE	1		
4	53686	HOSE	1		
5	54882	HOSE	1		
6	54220	HOSE	1		
7	53691	HOSE	1		
8	54881	HOSE	1		
9	AXE47472	HYDRAULIC CYLINDER, REEL LIFT MASTE	1		
10	AXE32960	HYDRAULIC CYLINDER, SLAVE CYLINDER	1		
11	54826	HYDRAULIC BLOCK	1		
12	AH166991	COUPLING, MULTI - COUPLER, MOBILE P	1		
13	AH225673	KIT, SEAL 1/2 CARTRIDGE	1		
14	R26375	O-RING, PACKING, -O- RING	3		
15	AH225669	HYDR. QUICK COUPLER SOCKET, COUPLER,	3		
15	AXE60985	HYDR. QUICK COUPLER PLUG, COUPLER,	3		
15	AXE61024	SEAL KIT, KIT, SEAL 9/16" CARTRIDGE	3		
16	AXE60986	HYDR. QUICK COUPLER PLUG, COUPLER,	2		
16	AXE61023	SEAL KIT, KIT, SEAL 3/8" CARTRIDGE	2		
17	HXE117553	BUSHING, BUSHING, MULTI-COUPLER, MO	5		
18	AH168765	CONNECTOR BODY, PIN CONTACT, 31 PIN	1		
19	H175880	SNAP RING, SNAP RING, EXTERNAL	1		
20	19M8321	SCREW, FLANGED, METRIC	2		

Hydraulic Valve, Hoses and Reel Lift Slave Cylinders (021051 -) (- 021206)

XG380822

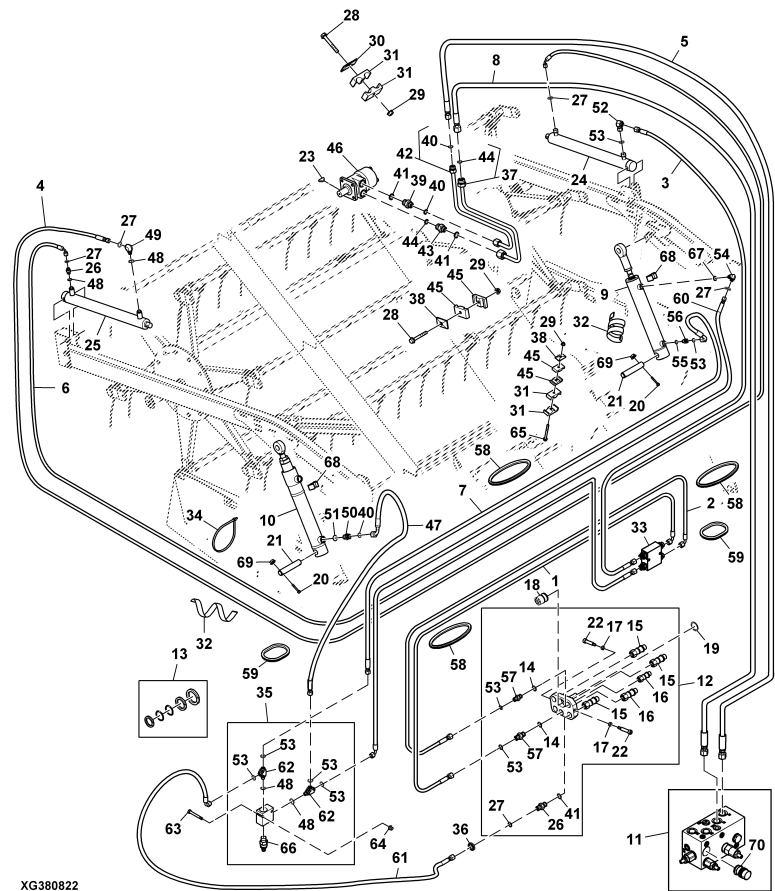


XG380822

Pos.	Artikel-Nr.	Benennung	Menge	Serial	No.
21	HXE87694	PIN, PIN REEL ARM 600X	2		
22	H170523	WASHER, DISK, IDENTIFICATION - GREE	2		
23	Z77367	WOODRUFF KEY	1		
24	AHC14009	HYDRAULIC CYLINDER, 40X25-450,574 (1		
25	AHC14008	HYDRAULIC CYLINDER, 40X25-450,574 (1		
26	38H1168	ADAPTER,O-RING FSF	3		
27	T77814	O-RING, O-RING	4		
28	19M7801	SCREW, FLANGED, METRIC	3		
29	14M7298	NUT, METRIC, HEX FLANGE	5		
30	H112567	PLATE - COVER TWIN CLAMP GROUP 3	2		
31	H122772	CLAMP-TWIN 7/8INX7/8IN OD TUBING	8		
32	H202510	STRAP W/BUCKLE	4		
33	AXE52822	CHECK VALVE, REEL FORE/AFT PO CHECK	1		
34	N189220	TIE BAND	2		
35	AXE48537	FLOW CONTROL HYD. VALVE, FLOW CONTR	1		
36	N275799	ORIFICE, PLATE, ORIFICE (-6)	1		
37	AXE39202	OIL LINE, REEL HYDRAULIC MOTOR	1		
38	H121168	PLATE	3		
39	38H1174	ADAPTER,O-RING FSF	1		
40	T77857	O-RING, O-RING	3		
41	R26906	O-RING, PACKING O-RING-PUR	4		
42	AXE39203	OIL LINE, REEL HYDRAULIC MOTOR	1		
43	38H1162	ADAPTER,O-RING FSF	2		

Hydraulic Valve, Hoses and Reel Lift Slave Cylinders (021051 -) (- 021206)

XG380822

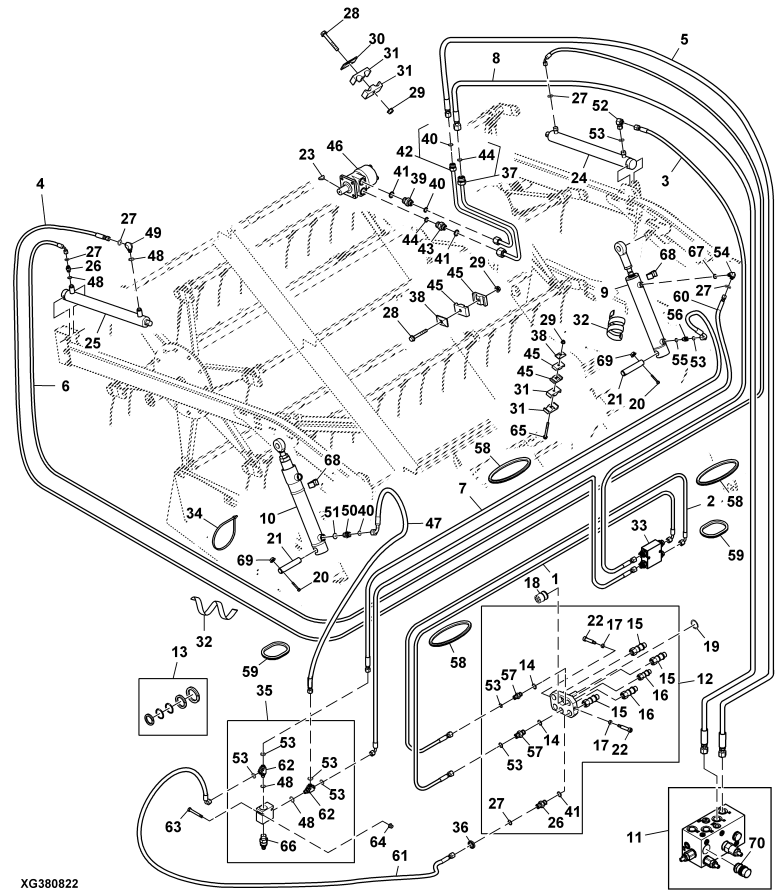


XG380822

Pos.	Artikel-Nr.	Benennung	Menge	Serial	No.
44	T77932	O-RING, O-RING	4		
45	H135156	CLAMP, TWIN 1/2 X 1/2	6		
46	AZ65723	HYDRAULIC MOTOR, HYDRAULIC MOTOR RE	1		
47	53693	HOSE	1		
48	R26448	O-RING, O-RING PACKING	3		
49	38H1009	ELBOW, 90 DEG. O-RING FSF	1		
50	38H5076	STUD STRAIGHT (SDS), ORFS	1		
51	51M7045	O RING, JDS-G173 M22 STUD	1		
52	38H1094	90 DEG SWIVEL ELBOW (SWE) ORFS	1		
53	T77613	O-RING, O-RING	4		
54	38H5026	ADJ STUD ELBOW (SDE), ORFS	1		
55	51M7041	O RING, JDS-G173 M14 STUD	1		
56	38H5002	STUD STRAIGHT (SDS), ORFS	1		
57	38H1171	ADAPTER, O-RING FSF	3		
58	HXE73920	GROMMET, TOP RAIL GROMMET	4		
59	HXE73919	GROMMET, TOP RAIL GROMMET	2		
60	53694	HOSE	1		
61	53692	HOSE	1		
62	38H1023	RUN TEE, O-RING FSF	2		
63	19M7595	SCREW, HEX HEAD, METRIC	2		
64	14M7397	NUT, METRIC, HEX FL, SELF LOCKING	2		
65	HXE12957	BOLT, M8 X 1.25 X 165 WITH 55MM OF	1		
66	HXE88572	MANUAL HYDRAULIC VALVE, NEEDLE TYPE	1		

Hydraulic Valve, Hoses and Reel Lift Slave Cylinders (021051 -) (- 021206)

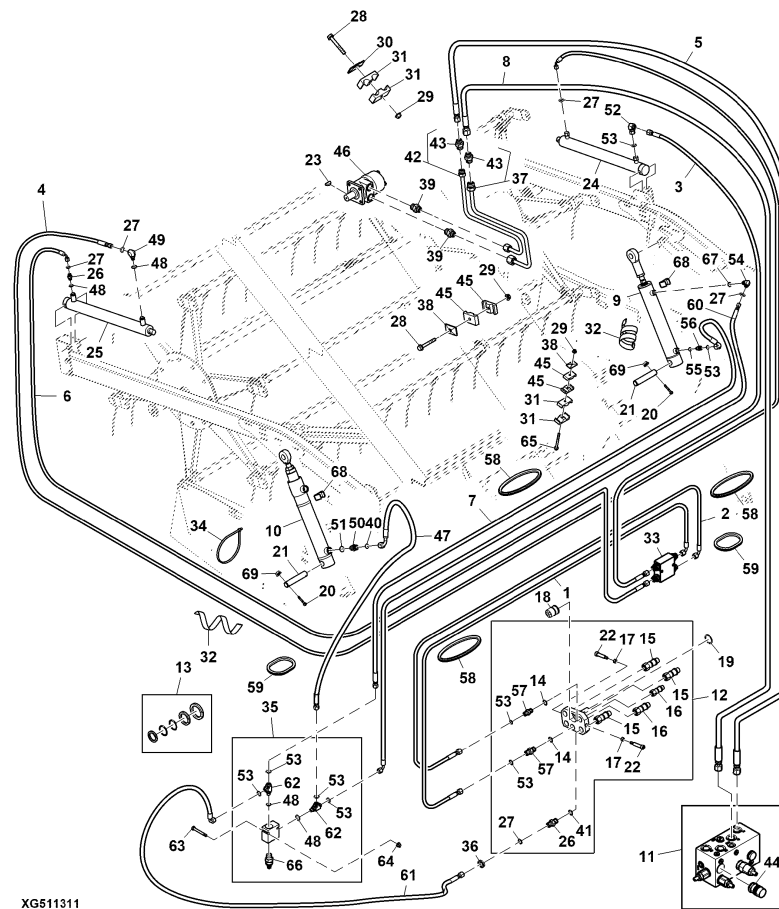
XG380822



Pos.	Artikel-Nr.	Benennung	Menge	Serial	No.
66	AH209116	SEAL KIT, AHC FC VALVE	1		
67	51M7043	O RING, JDS-G173 M18 STUD	1		
68	T102005	GUIDE	2		
69	H137327	LOCK NUT, FLANGE LOCKNUT, DEFLECTED	2		
70	54972	VALVE	1		
98	AA48301	SEAL KIT, 7 "AUGER DH100 MOTOR	1		
98	AZ62658	DUST SEAL RING	1		
98	AZ62659	GASKET	1		
98	AZ62660	NEEDLE BEARING	1		

Hydraulic Valve, Hoses and Reel Lift Slave Cylinders (021207 -) (- 21319)

XG511311

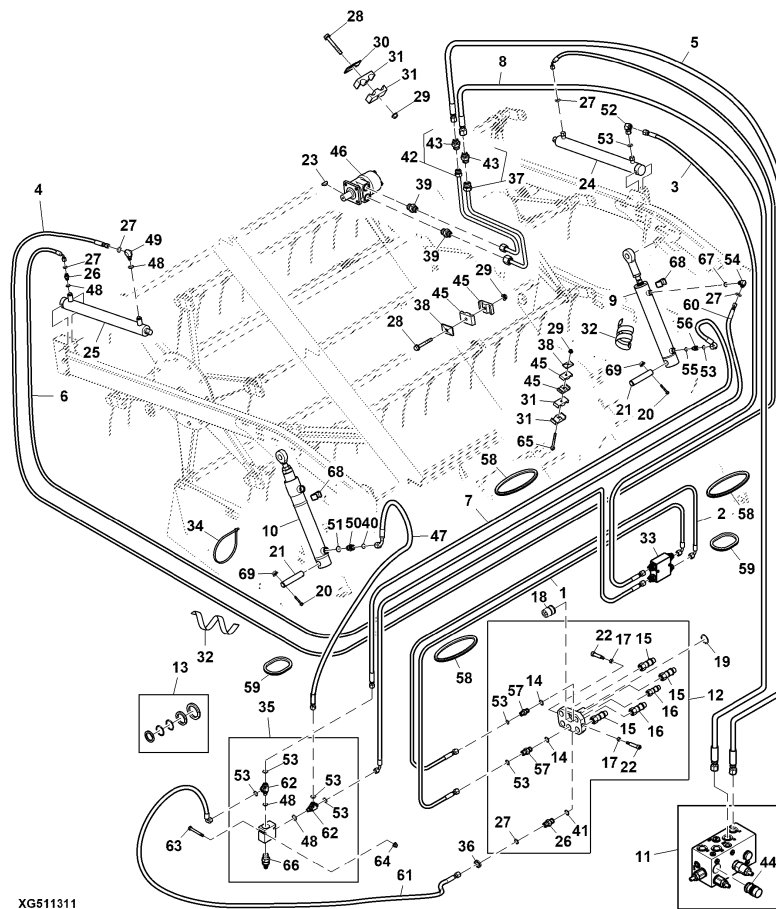


XG511311

Pos.	Artikel-Nr.	Benennung	Menge	Serial	No.
1	54225	HOSE	1		
2	54319	HOSE	1		
3	54221	HOSE	1		
4	53686	HOSE	1		
5	55025	HYDRAULIC HOSE	1		
6	54220	HOSE	1		
7	53691	HOSE	1		
8	55024	HYDRAULIC HOSE	1		
9	AXE47472	HYDRAULIC CYLINDER, REEL LIFT MASTE	1		
10	AXE32960	HYDRAULIC CYLINDER, SLAVE CYLINDER	1		
11	54826	HYDRAULIC BLOCK	1		
12	AH166991	COUPLING, MULTI - COUPLER, MOBILE P	1		
13	AH225673	KIT, SEAL 1/2 CARTRIDGE	1		
14	R26375	O-RING, PACKING, -O- RING	3		
15	AH225669	HYDR.QUICK COUPLER SOCKET, COUPLER,	3		
15	AXE60985	HYDR. QUICK COUPLER PLUG, COUPLER,	3		
15	AXE61024	SEAL KIT, KIT, SEAL 9/16" CARTRIDGE	3		
16	AXE60986	HYDR. QUICK COUPLER PLUG, COUPLER,	2		
16	AXE61023	SEAL KIT, KIT, SEAL 3/8" CARTRIDGE	2		
17	HXE117553	BUSHING, BUSHING, MULTI-COUPLER, MO	5		
18	AH168765	CONNECTOR BODY, PIN CONTACT,31 PIN	1		
19	H175880	SNAP RING, SNAP RING,EXTERNAL	1		
20	19M8321	SCREW, FLANGED, METRIC	2		

Hydraulic Valve, Hoses and Reel Lift Slave Cylinders (021207 -) (- 21319)

XG511311

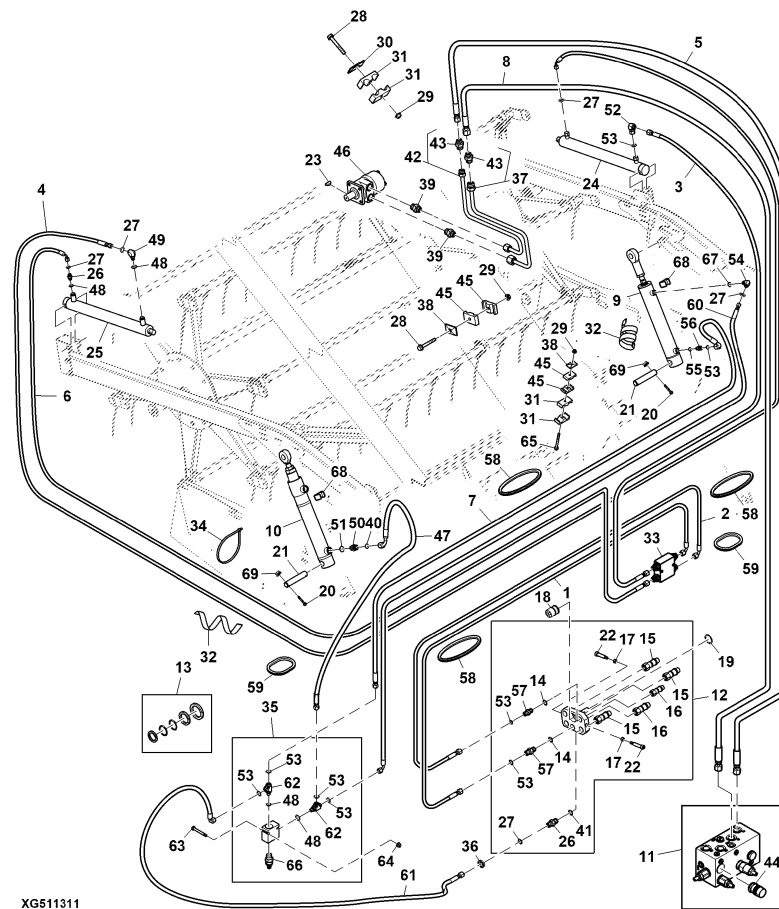


XG511311

Pos.	Artikel-Nr.	Benennung	Menge	Serial	No.
21	HXE87694	PIN, PIN REEL ARM 600X	2		
22	H170523	WASHER, DISK, IDENTIFICATION - GREE	2		
23	Z77367	WOODRUFF KEY	1		
24	AHC14009	HYDRAULIC CYLINDER, 40X25-450,574 (1		
25	AHC14008	HYDRAULIC CYLINDER, 40X25-450,574 (1		
26	38H1168	ADAPTER,O-RING FSF	3		
27	T77814	O-RING, O-RING	4		
28	19M7801	SCREW, FLANGED, METRIC	3		
29	14M7298	NUT, METRIC, HEX FLANGE	5		
30	H112567	PLATE - COVER TWIN CLAMP GROUP 3	2		
31	H122772	CLAMP-TWIN 7/8INX7/8IN OD TUBING	8		
32	H202510	STRAP W/BUCKLE	4		
33	AXE52822	CHECK VALVE, REEL FORE/AFT PO CHECK	1		
34	N189220	TIE BAND	2		
35	AXE48537	FLOW CONTROL HYD. VALVE, FLOW CONTR	1		
36	N275799	ORIFICE, PLATE, ORIFICE (-6)	1		
37	55013	HYDRAULIC TUBE	1		
38	H121168	PLATE	3		
39	091473	HYDRAULIC FITTING	2		
40	T77857	O-RING, O-RING	1		
41	R26906	O-RING, PACKING O-RING-PUR	1		
42	55012	HYDRAULIC TUBE	1		
43	090126	HYDRAULIC FITTING	2		

Hydraulic Valve, Hoses and Reel Lift Slave Cylinders (021207 -) (- 21319)

XG511311

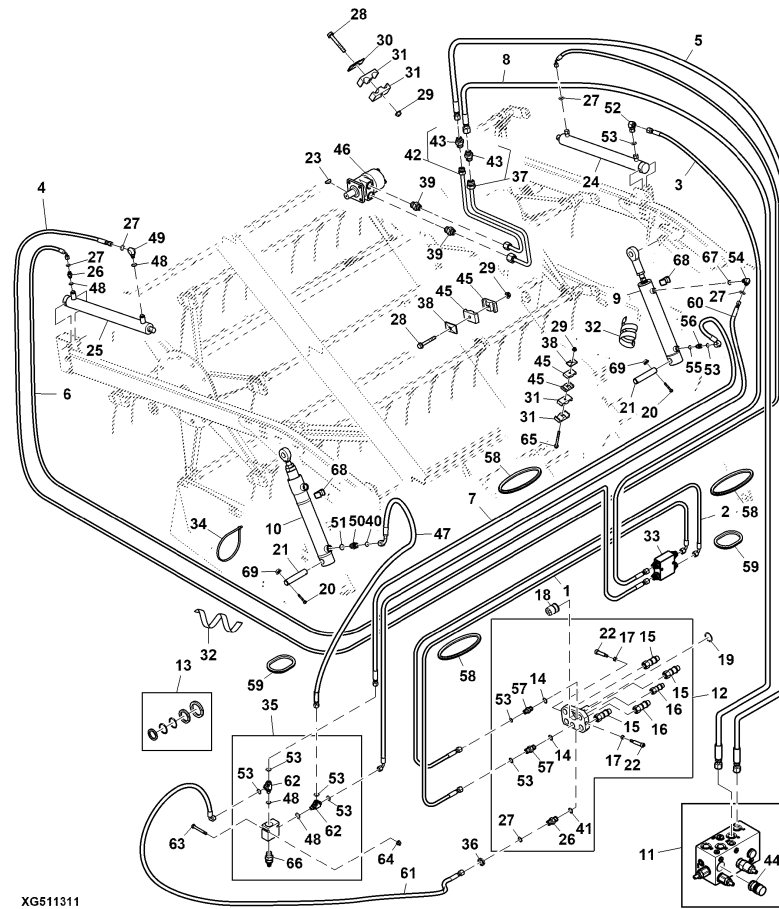


XG511311

Pos.	Artikel-Nr.	Benennung	Menge	Serial	No.
44	54972	VALVE	1		
45	H135156	CLAMP, TWIN 1/2 X 1/2	6		
46	55014	HYDRAULIC MOTOR	1		
47	53693	HOSE	1		
48	R26448	O-RING, O-RING PACKING	3		
49	38H1009	ELBOW, 90 DEG. O-RING FSF	1		
50	38H5076	STUD STRAIGHT (SDS), ORFS	1		
51	51M7045	O RING, JDS-G173 M22 STUD	1		
52	38H1094	90 DEG SWIVEL ELBOW (SWE) ORFS	1		
53	T77613	O-RING, O-RING	4		
54	38H5026	ADJ STUD ELBOW (SDE), ORFS	1		
55	51M7041	O RING, JDS-G173 M14 STUD	1		
56	38H5002	STUD STRAIGHT (SDS), ORFS	1		
57	38H1171	ADAPTER,O-RING FSF	3		
58	HXE73920	GROMMET, TOP RAIL GROMMET	4		
59	HXE73919	GROMMET, TOP RAIL GROMMET	2		
60	53694	HOSE	1		
61	53692	HOSE	1		
62	38H1023	RUN TEE,O-RING FSF	2		
63	19M7595	SCREW, HEX HEAD, METRIC	2		
64	14M7397	NUT, METRIC, HEX FL, SELF LOCKING	2		
66	AH209116	SEAL KIT, AHC FC VALVE	1		
65	HXE12957	BOLT, M8 X 1.25 X 165 WITH 55MM OF	1		

Hydraulic Valve, Hoses and Reel Lift Slave Cylinders (021207 -) (- 21319)

XG511311

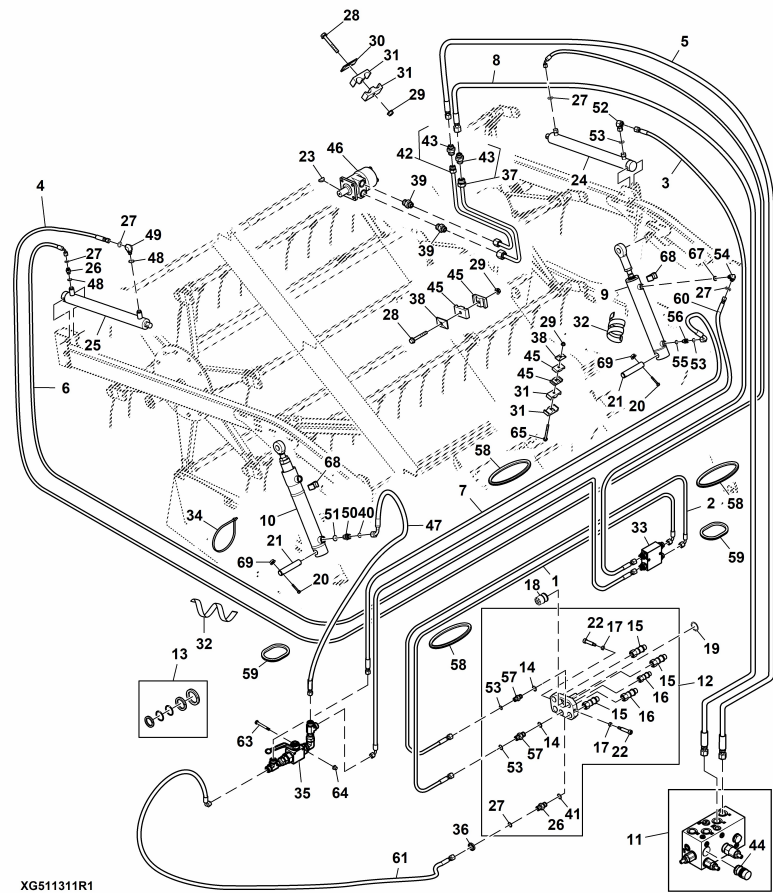


XG511311

Pos.	Artikel-Nr.	Benennung	Menge	Serial	No.
66	HXE88572	MANUAL HYDRAULIC VALVE, NEEDLE TYPE	1		
67	51M7043	O RING, JDS-G173 M18 STUD	1		
68	T102005	GUIDE	2		
69	H137327	LOCK NUT, FLANGE LOCKNUT, DEFLECTED	2		
98	AA48301	SEAL KIT, 7 "AUGER DH100 MOTOR	1		
98	AZ62658	DUST SEAL RING	1		
98	AZ62659	GASKET	1		
98	AZ62660	NEEDLE BEARING	1		

Hydraulic Valve, Hoses and Reel Lift Slave Cylinders (21320 -)

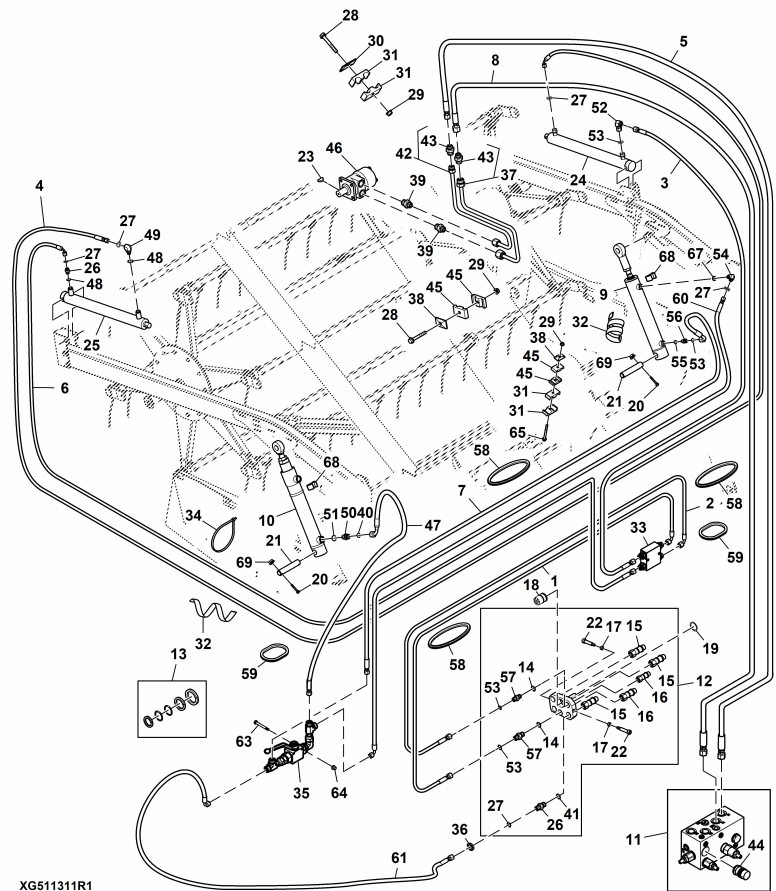
XG511311



Pos.	Artikel-Nr.	Benennung	Menge	Serial	No.
1	54225	HOSE	1		
2	54319	HOSE	1		
3	54221	HOSE	1		
4	53686	HOSE	1		
5	55025	HYDRAULIC HOSE	1		
6	54220	HOSE	1		
7	53691	HOSE	1		
8	55024	HYDRAULIC HOSE	1		
9	AXE47472	HYDRAULIC CYLINDER, REEL LIFT MASTE	1		
10	AXE32960	HYDRAULIC CYLINDER, SLAVE CYLINDER	1		
11	54826	HYDRAULIC BLOCK	1		
12	AH166991	COUPLING, MULTI - COUPLER, MOBILE P	1		
13	AH225673	KIT, SEAL 1/2 CARTRIDGE	1		
14	R26375	O-RING, PACKING, -O- RING	3		
15	AH225669	HYDR. QUICK COUPLER SOCKET, COUPLER,	3		
15	AXE60985	HYDR. QUICK COUPLER PLUG, COUPLER,	3		
15	AXE61024	SEAL KIT, KIT, SEAL 9/16" CARTRIDGE	3		
16	AXE60986	HYDR. QUICK COUPLER PLUG, COUPLER,	2		
16	AXE61023	SEAL KIT, KIT, SEAL 3/8" CARTRIDGE	2		
17	HXE117553	BUSHING, BUSHING, MULTI-COUPLER, MO	5		
18	AH168765	CONNECTOR BODY, PIN CONTACT, 31 PIN	1		
19	H175880	SNAP RING, SNAP RING, EXTERNAL	1		
20	19M8321	SCREW, FLANGED, METRIC	2		

Hydraulic Valve, Hoses and Reel Lift Slave Cylinders (21320 -)

XG511311

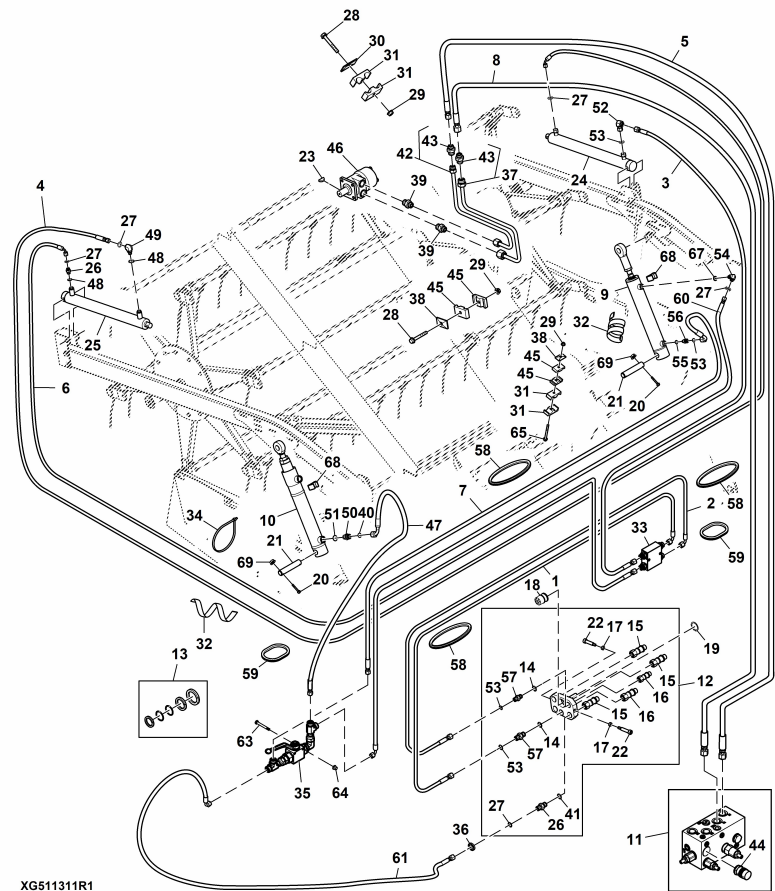


XG511311R1

Pos.	Artikel-Nr.	Benennung	Menge	Serial	No.
21	HXE87694	PIN, PIN REEL ARM 600X	2		
22	H170523	WASHER, DISK, IDENTIFICATION - GREE	2		
23	Z77367	WOODRUFF KEY	1		
24	AHC14009	HYDRAULIC CYLINDER, 40X25-450,574 (1		
25	AHC14008	HYDRAULIC CYLINDER, 40X25-450,574 (1		
26	38H1168	ADAPTER,O-RING FSF	3		
27	T77814	O-RING, O-RING	4		
28	19M7801	SCREW, FLANGED, METRIC	3		
29	14M7298	NUT, METRIC, HEX FLANGE	5		
30	H112567	PLATE - COVER TWIN CLAMP GROUP 3	2		
31	H122772	CLAMP-TWIN 7/8INX7/8IN OD TUBING	8		
32	H202510	STRAP W/BUCKLE	4		
33	AXE52822	CHECK VALVE, REEL FORE/AFT PO CHECK	1		
34	N189220	TIE BAND	2		
35	55716	GATE VALVE	1		
36	N275799	ORIFICE, PLATE, ORIFICE (-6)	1		
37	55013	HYDRAULIC TUBE	1		
38	H121168	PLATE	3		
39	091473	HYDRAULIC FITTING	2		
40	T77857	O-RING, O-RING	1		
41	R26906	O-RING, PACKING O-RING-PUR	1		
42	55012	HYDRAULIC TUBE	1		
43	090126	HYDRAULIC FITTING	2		

Hydraulic Valve, Hoses and Reel Lift Slave Cylinders (21320 -)

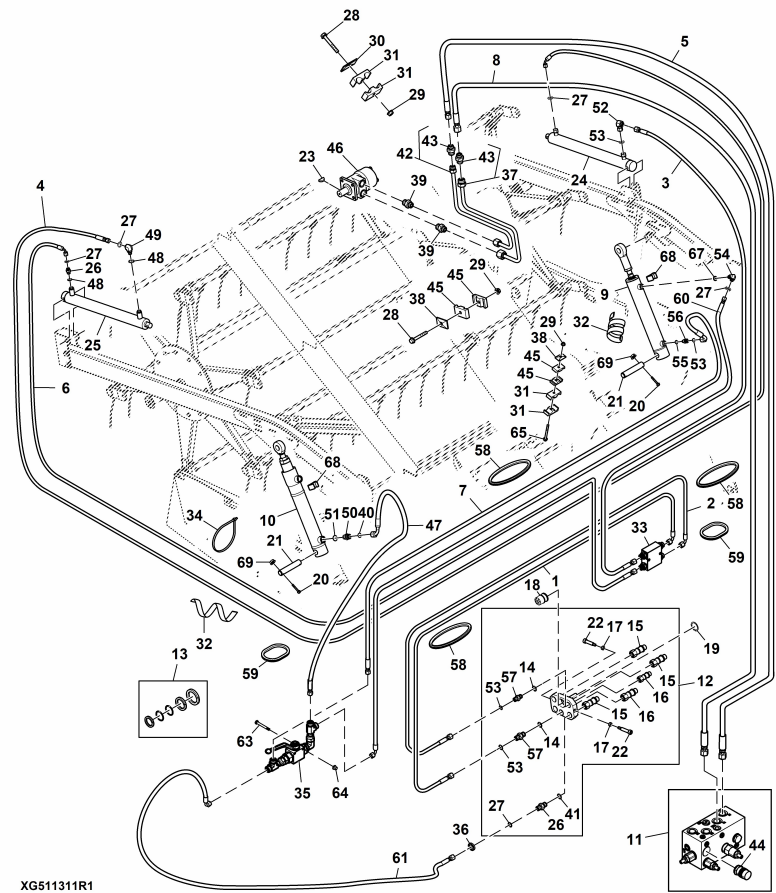
XG511311



Pos.	Artikel-Nr.	Benennung	Menge	Serial	No.
44	54972	VALVE	1		
45	H135156	CLAMP, TWIN 1/2 X 1/2	6		
46	55014	HYDRAULIC MOTOR	1		
47	53693	HOSE	1		
48	R26448	O-RING, O-RING PACKING	3		
49	38H1009	ELBOW, 90 DEG. O-RING FSF	1		
50	38H5076	STUD STRAIGHT (SDS), ORFS	1		
51	51M7045	O RING, JDS-G173 M22 STUD	1		
52	38H1094	90 DEG SWIVEL ELBOW (SWE) ORFS	1		
53	T77613	O-RING, O-RING	4		
54	38H5026	ADJ STUD ELBOW (SDE), ORFS	1		
55	51M7041	O RING, JDS-G173 M14 STUD	1		
56	38H5002	STUD STRAIGHT (SDS), ORFS	1		
57	38H1171	ADAPTER,O-RING FSF	3		
58	HXE73920	GROMMET, TOP RAIL GROMMET	4		
59	HXE73919	GROMMET, TOP RAIL GROMMET	2		
60	53694	HOSE	1		
61	53692	HOSE	1		
63	19M7595	SCREW, HEX HEAD, METRIC	2		
64	14M7397	NUT, METRIC, HEX FL, SELF LOCKING	2		
65	HXE12957	BOLT, M8 X 1.25 X 165 WITH 55MM OF	1		
67	51M7043	O RING, JDS-G173 M18 STUD	1		
68	T102005	GUIDE	2		

Hydraulic Valve, Hoses and Reel Lift Slave Cylinders (21320 -)

XG511311

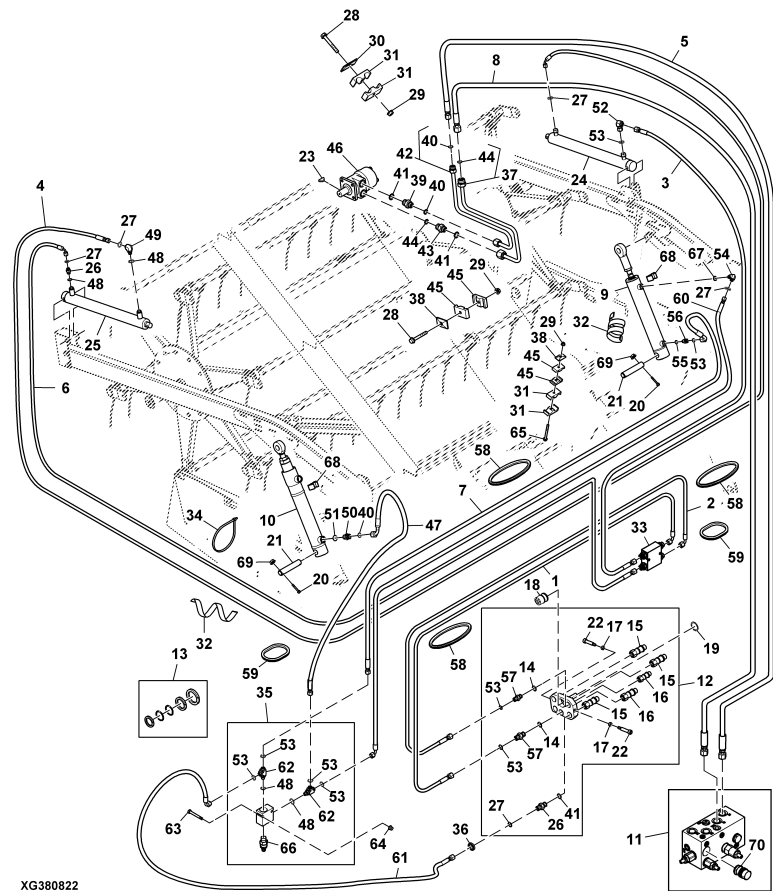


XG511311R1

Pos.	Artikel-Nr.	Benennung	Menge	Serial	No.
69	H137327	LOCK NUT, FLANGE LOCKNUT, DEFLECTED	2		
98	AA48301	SEAL KIT, 7 "AUGER DH100 MOTOR	1		
98	AZ62658	DUST SEAL RING	1		
98	AZ62659	GASKET	1		
98	AZ62660	NEEDLE BEARING	1		

Hydraulic Valve, Hoses and Reel Lift Slave Cylinders (North America Only) (021051 -)

XG380822

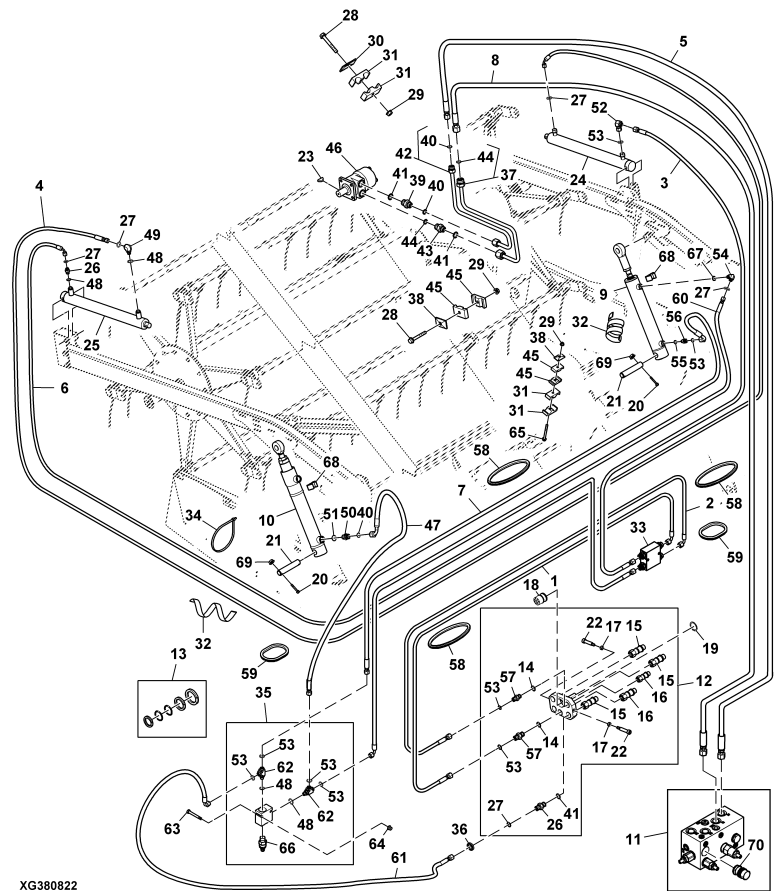


XG380822

Pos.	Artikel-Nr.	Benennung	Menge	Serial	No.
1	54225	HOSE	1		
2	54319	HOSE	1		
3	54221	HOSE	1		
4	53686	HOSE	1		
5	54882	HOSE	1		
6	54220	HOSE	1		
7	53691	HOSE	1		
8	54881	HOSE	1		
9	AXE47472	HYDRAULIC CYLINDER, REEL LIFT MASTE	1		
10	AXE32960	HYDRAULIC CYLINDER, SLAVE CYLINDER	1		
11	54876	HYDRAULIC BLOCK	1		
12	AH166991	COUPLING, MULTI - COUPLER, MOBILE P	1		
13	AH225673	KIT, SEAL 1/2 CARTRIDGE	1		
14	R26375	O-RING, PACKING, -O- RING	3		
15	AH225669	HYDR. QUICK COUPLER SOCKET, COUPLER,	3		
15	AXE60985	HYDR. QUICK COUPLER PLUG, COUPLER,	3		
15	AXE61024	SEAL KIT, KIT, SEAL 9/16" CARTRIDGE	3		
16	AXE60986	HYDR. QUICK COUPLER PLUG, COUPLER,	2		
16	AXE61023	SEAL KIT, KIT, SEAL 3/8" CARTRIDGE	2		
17	HXE117553	BUSHING, BUSHING, MULTI-COUPLER, MO	5		
18	AH168765	CONNECTOR BODY, PIN CONTACT, 31 PIN	1		
19	H175880	SNAP RING, SNAP RING, EXTERNAL	1		
20	19M8321	SCREW, FLANGED, METRIC	2		

Hydraulic Valve, Hoses and Reel Lift Slave Cylinders (North America Only) (021051 -)

XG380822

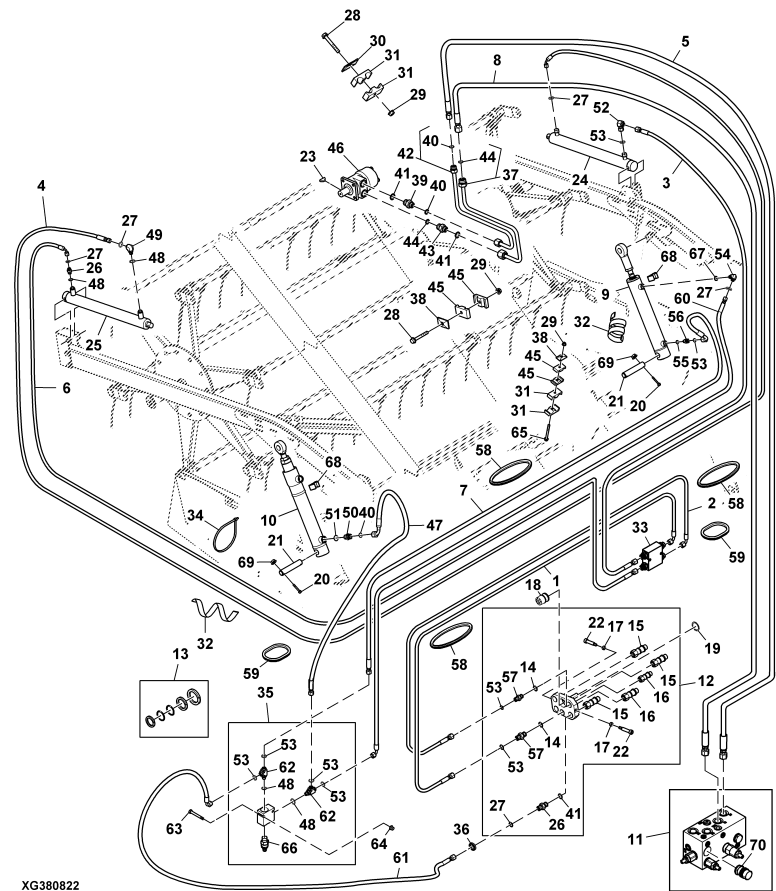


XG380822

Pos.	Artikel-Nr.	Benennung	Menge	Serial	No.
21	HXE87694	PIN, PIN REEL ARM 600X	2		
22	H170523	WASHER, DISK, IDENTIFICATION - GREE	2		
23	Z77367	WOODRUFF KEY	1		
24	AHC14009	HYDRAULIC CYLINDER, 40X25-450,574 (1		
25	AHC14008	HYDRAULIC CYLINDER, 40X25-450,574 (1		
26	38H1168	ADAPTER,O-RING FSF	3		
27	T77814	O-RING, O-RING	4		
28	19M7801	SCREW, FLANGED, METRIC	3		
29	14M7298	NUT, METRIC, HEX FLANGE	5		
30	H112567	PLATE - COVER TWIN CLAMP GROUP 3	2		
31	H122772	CLAMP-TWIN 7/8INX7/8IN OD TUBING	8		
32	H202510	STRAP W/BUCKLE	4		
33	AXE52822	CHECK VALVE, REEL FORE/AFT PO CHECK	1		
34	N189220	TIE BAND	2		
35	AXE48537	FLOW CONTROL HYD. VALVE, FLOW CONTR	1		
36	N275799	ORIFICE, PLATE, ORIFICE (-6)	1		
37	AXE39202	OIL LINE, REEL HYDRAULIC MOTOR	1		
38	H121168	PLATE	3		
39	38H1174	ADAPTER,O-RING FSF	1		
40	T77857	O-RING, O-RING	3		
41	R26906	O-RING, PACKING O-RING-PUR	4		
42	AXE39203	OIL LINE, REEL HYDRAULIC MOTOR	1		
43	38H1162	ADAPTER,O-RING FSF	2		

Hydraulic Valve, Hoses and Reel Lift Slave Cylinders (North America Only) (021051 -)

XG380822

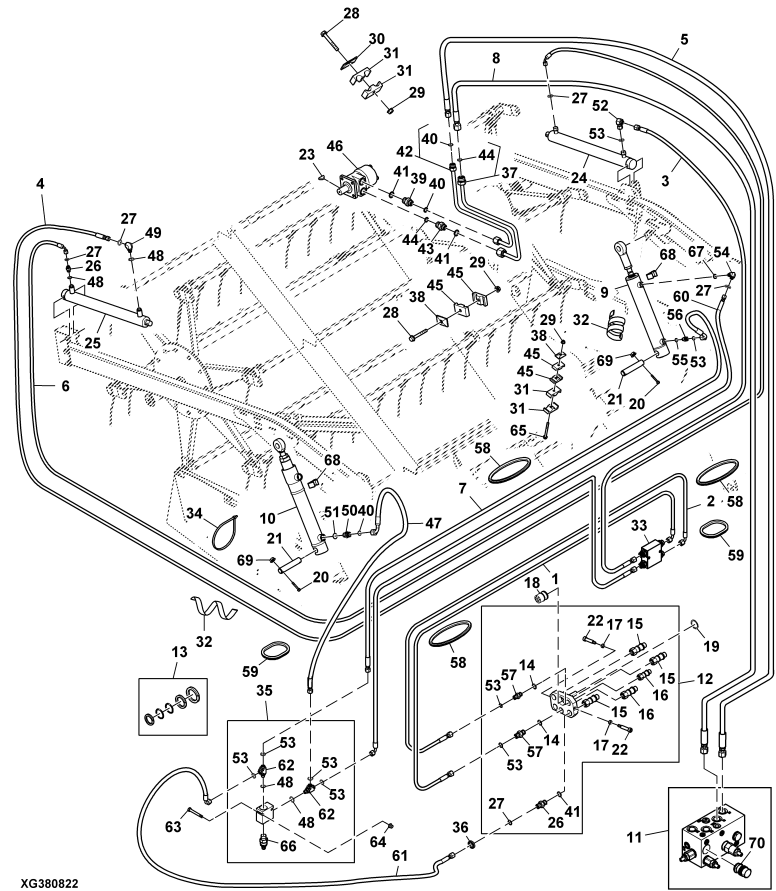


XG380822

Pos.	Artikel-Nr.	Benennung	Menge	Serial	No.
44	T77932	O-RING, O-RING	4		
45	H135156	CLAMP, TWIN 1/2 X 1/2	6		
46	AZ65723	HYDRAULIC MOTOR, HYDRAULIC MOTOR RE	1		
47	53693	HOSE	1		
48	R26448	O-RING, O-RING PACKING	3		
49	38H1009	ELBOW, 90 DEG. O-RING FSF	1		
50	38H5076	STUD STRAIGHT (SDS), ORFS	1		
51	51M7045	O RING, JDS-G173 M22 STUD	1		
52	38H1094	90 DEG SWIVEL ELBOW (SWE) ORFS	1		
53	T77613	O-RING, O-RING	4		
54	38H5026	ADJ STUD ELBOW (SDE), ORFS	1		
55	51M7041	O RING, JDS-G173 M14 STUD	1		
56	38H5002	STUD STRAIGHT (SDS), ORFS	1		
57	38H1171	ADAPTER, O-RING FSF	3		
58	HXE73920	GROMMET, TOP RAIL GROMMET	4		
59	HXE73919	GROMMET, TOP RAIL GROMMET	2		
60	53694	HOSE	1		
61	53692	HOSE	1		
62	38H1023	RUN TEE, O-RING FSF	2		
63	19M7595	SCREW, HEX HEAD, METRIC	2		
64	14M7397	NUT, METRIC, HEX FL, SELF LOCKING	2		
65	HXE12957	BOLT, M8 X 1.25 X 165 WITH 55MM OF	1		
66	HXE88572	MANUAL HYDRAULIC VALVE, NEEDLE TYPE	1		

Hydraulic Valve, Hoses and Reel Lift Slave Cylinders (North America Only) (021051 -)

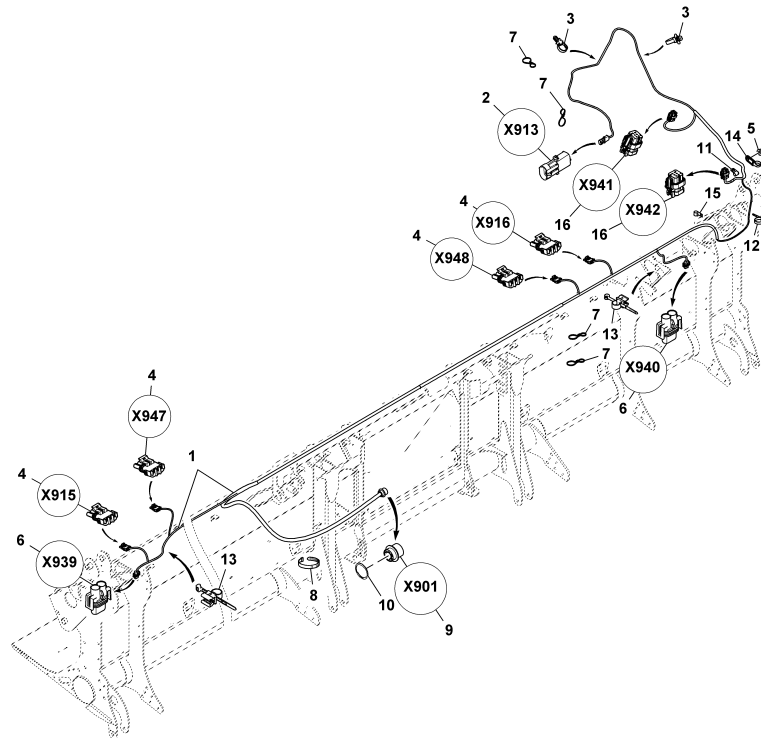
XG380822



Pos.	Artikel-Nr.	Benennung	Menge	Serial	No.
66	AH209116	SEAL KIT, AHC FC VALVE	1		
67	51M7043	O RING, JDS-G173 M18 STUD	1		
68	T102005	GUIDE	2		
69	H137327	LOCK NUT, FLANGE LOCKNUT, DEFLECTED	2		
70	54972	VALVE	1		
98	AA48301	SEAL KIT, 7 "AUGER DH100 MOTOR	1		
98	AZ62658	DUST SEAL RING	1		
98	AZ62659	GASKET	1		
98	AZ62660	NEEDLE BEARING	1		

Main Wiring Harness (1 of 2)

XG335702R1

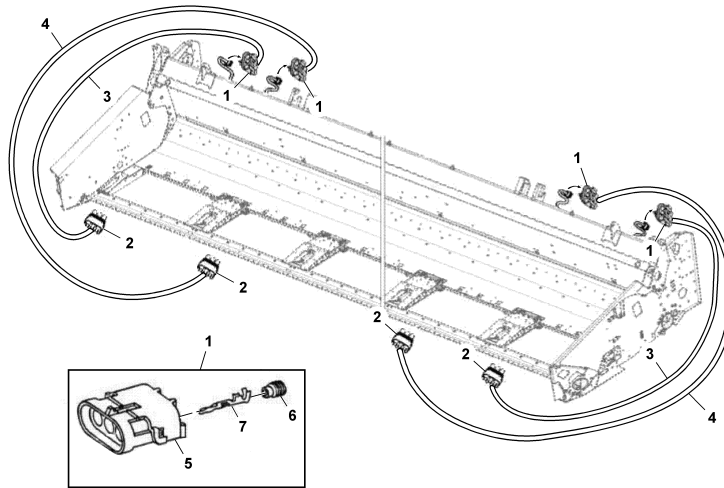


XG335702R1

Pos.	Artikel-Nr.	Benennung	Menge	Serial	No.
1	54420	WIRING HARNESS	1		
2	R78053	ELECTRICAL CONNECTOR ASSY, CONNECTO	1		
3	57M10233	DELPHI CLIP HEAD WIRE TIE BLK NYLON	6		
4	RE12364	ELECTRICAL CONNECTOR ASSY, THREE WA	4		
5	14M7298	NUT, METRIC, HEX FLANGE	1		
6	57M7344	PACKARD MP280 2 WAY CONNECTOR	2		
7	57M10421	ACCY TYTON WIRE TIE BLACK NYLON	9		
8	R44302	TIE BAND, BLACK-7.5 INCH	5		
9	57M11904	CONN MOLEX 31W MS NAT PLSTC	1		
10	H175880	SNAP RING, SNAP RING,EXTERNAL	1		
11	H75541	CLIP-INSULATED	1		
12	AH225365	CLIP, EDGE SIDE CABLE TIE MOUNT	1		
13	AH225363	CLIP, EDGE TOP CABLE TIE MOUNT	3		
14	57M10528	DELPHI	1		
15	AH96317	CLAMP ASSY-COATED J .750	4		
16	57M9786	TYCO AMPSEAL16 6W RCPT SLD RED PLST	2		

Main Wiring Harness (2 of 2)

XG304266

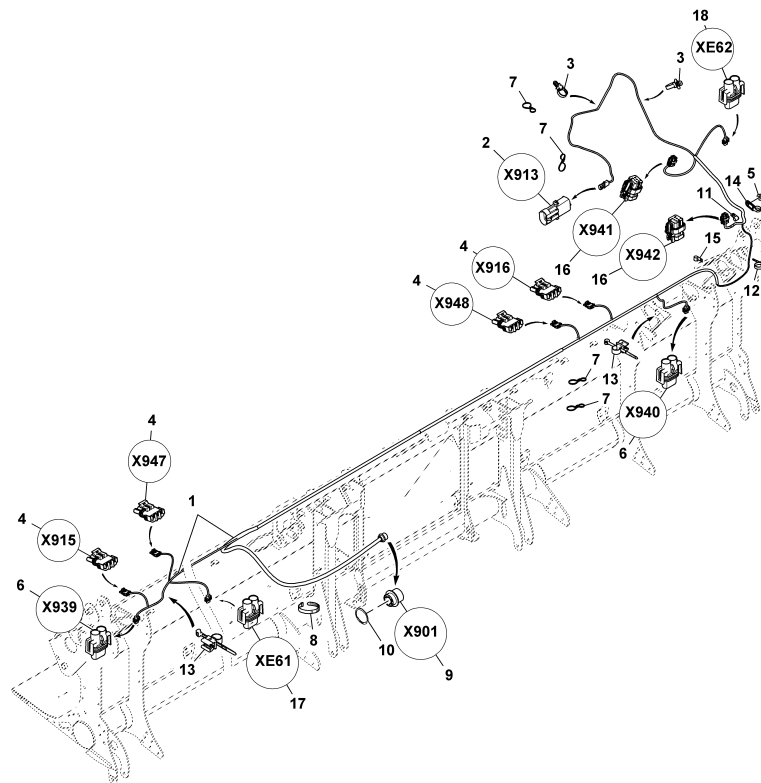


XG304266

Pos.	Artikel-Nr.	Benennung	Menge	Serial	No.
1	RE12332	CONNECT,THREE WAY SHROUD,W/PINS(PTS	4		
2	RE12364	ELECTRICAL CONNECTOR ASSY, THREE WA	4		
3	53864	WIRING HARNESS, L = 4500 MM	2		
4	53865	WIRING HARNESS, L = 8500 MM	2		
5	R78054	ELECTRICAL CONNECTOR ASSY, THREE WA	4		
6	R78063	ELEC. CONNECTOR SEAL	4		
7	E78061	CARTON, CASCADED CORRUGATED	4		

Main Wiring Harness, (For North America)

XG335702R3

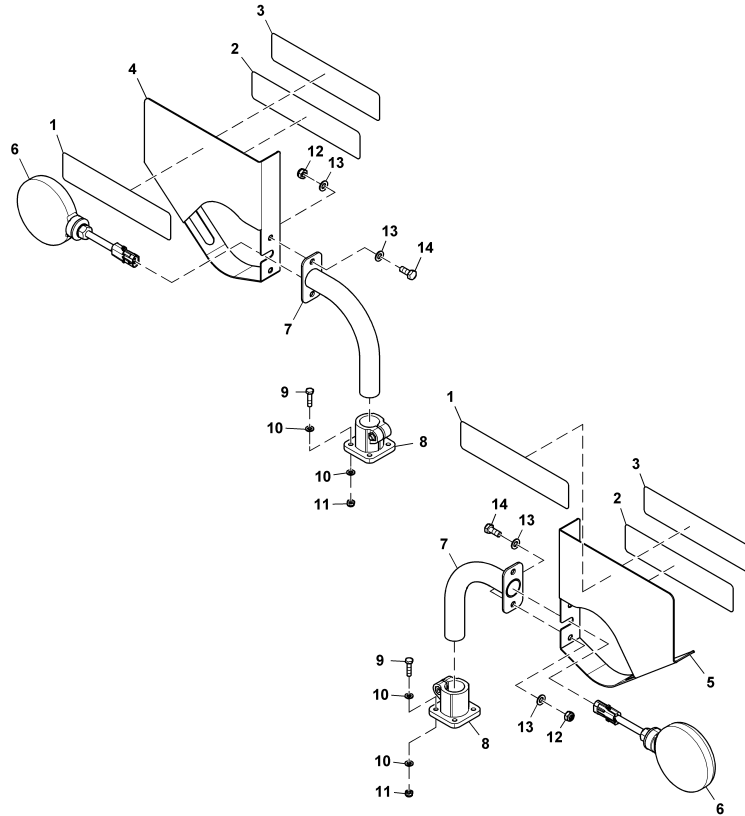


XG335702R3

Pos.	Artikel-Nr.	Benennung	Menge	Serial	No.
1	54420	WIRING HARNESS	1		
2	R78053	ELECTRICAL CONNECTOR ASSY, CONNECTO	1		
3	57M10233	DELPHI CLIP HEAD WIRE TIE BLK NYLON	6		
4	RE12364	ELECTRICAL CONNECTOR ASSY, THREE WA	4		
5	14M7298	NUT, METRIC, HEX FLANGE	1		
6	57M7344	PACKARD MP280 2 WAY CONNECTOR	2		
7	57M10421	ACCY TYTON WIRE TIE BLACK NYLON	9		
8	R44302	TIE BAND, BLACK-7.5 INCH	5		
9	57M11904	CONN MOLEX 31W MS NAT PLSTC	1		
10	H175880	SNAP RING, SNAP RING,EXTERNAL	1		
11	H75541	CLIP-INSULATED	1		
12	AH225365	CLIP, EDGE SIDE CABLE TIE MOUNT	1		
13	AH225363	CLIP, EDGE TOP CABLE TIE MOUNT	3		
14	57M10528	DELPHI	1		
15	AH96317	CLAMP ASSY-COATED J .750	4		
16	57M9786	TYCO AMPSEAL16 6W RCPT SLD RED PLST	2		
17	RE12363	ELEC. CONNECTOR TERMINAL, CONNECTOR	1		
18	RE12363	ELEC. CONNECTOR TERMINAL, CONNECTOR	1		

Transport Warning Lights (For North America)

XG353380

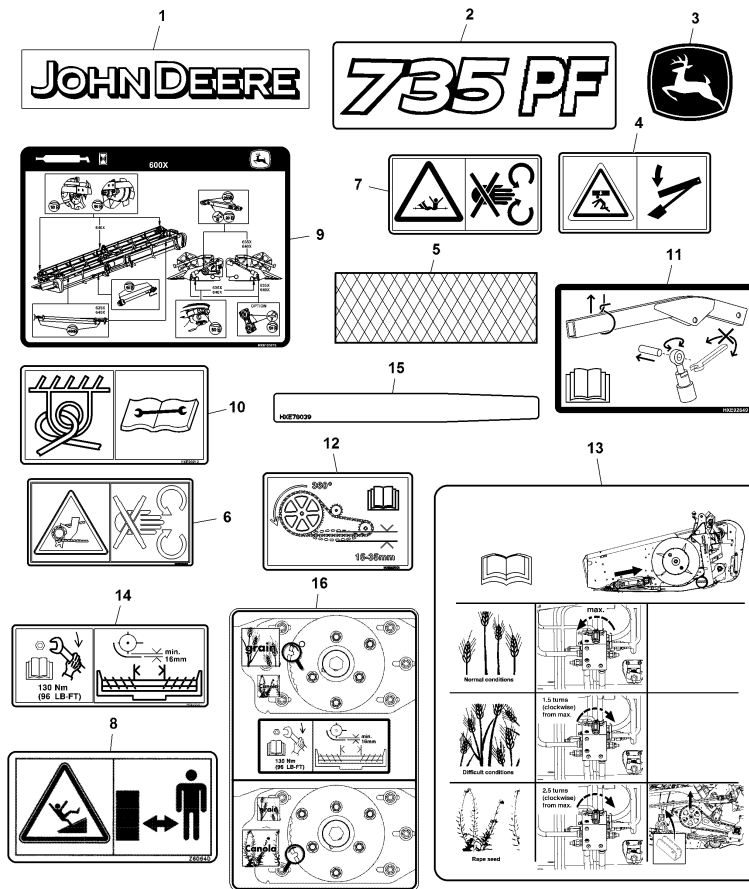


XG353380

Pos.	Artikel-Nr.	Benennung	Menge	Serial	No.
1	JD5921	REFLECTIVE LABEL, YELLOW	2		
2	JD5922	FLUORESCENT LABEL, RED-ORANGE	2		
3	JD5920	REFLECTIVE LABEL, RED	2		
4	54806	BRAKET RIGHT	1		
5	54807	BRAKET LEFT	1		
6	AH164497	WARNING LAMP ASSY	2		
7	54854	BRAKET	2		
8	54895	CLAMP	2		
9	70335	SCREW	8		
10	70074	DIN125 FLAT WASHER 6,4 MM, YELLOW	16		
11	70020	DIN 985 HEXAGON NUT M6, BLUE	8		
12	70103	DIN 985 HEXAGON NUT M8, BLUE	4		
13	70109	DIN125 FLAT WASHER 8,4 MM, YELLOW	8		
14	70060	DIN 933 HEXAGON HEAD CAP SCREW M8X2	4		

Decals (- 021050)

XG298949R10

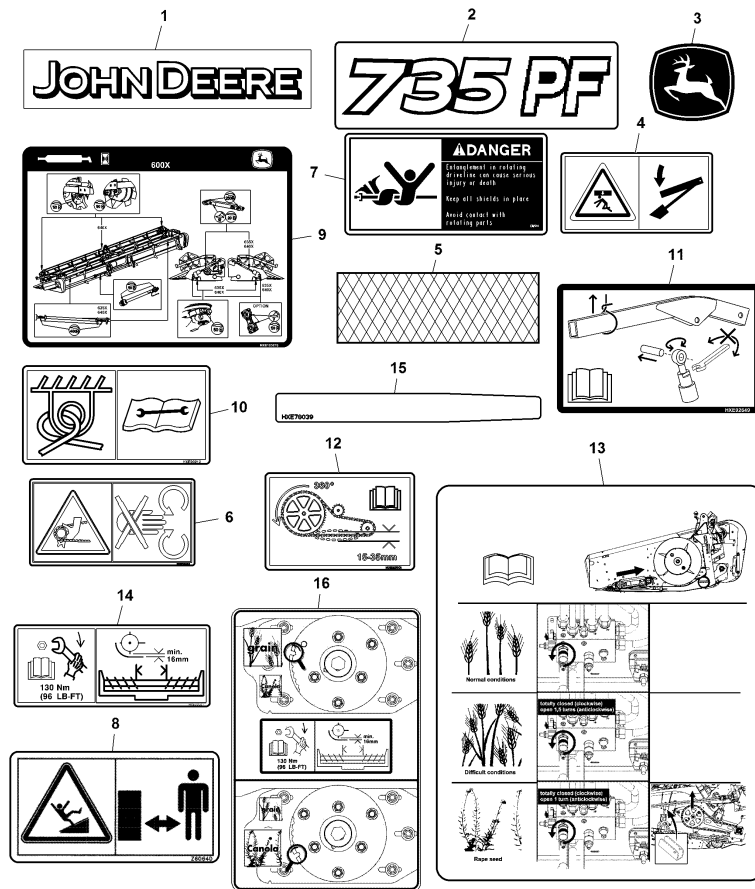


XG298949R10

Pos.	Artikel-Nr.	Benennung	Menge	Serial	No.
1	H201543	LABEL, JOHN DEERE - 50MM HIGH	2		
2	54588	DECAL 35FT	2		
3	JD5706	LABEL, TRADEMARK, LEAPING DEER	2		
4	Z102869	LABEL, LABEL	2		
5	Z42149	LABEL, LABEL	1		
6	Z60325	LABEL, LABEL	2		
7	Z60639	LABEL, DECAL.SECURITE GARANT TRANSM	1		
8	Z60640	LABEL, LABEL	2		
9	53800	LABEL	1		
10	HXE90212	LABEL, TIE DOWN POINT DECAL	4		
11	HXE92649	LABEL, REEL HEIGHT ADJUSTMENT INSTR	1		
12	HXE113501	LABEL, 600R&X CHAIN TENSION DECAL	1		
13	54515	LABEL, BELT SPEED	1		
14	HXE99587	LABEL, AUGER TIMING BOLT TORQUE DEC	1		
15	HXE78039	LABEL, SAFETYLABEL FOR SAFETYSTOP	1		
16	54762	DECAL	1		

Decals (021051 -) (- 21319)

XG298949R17

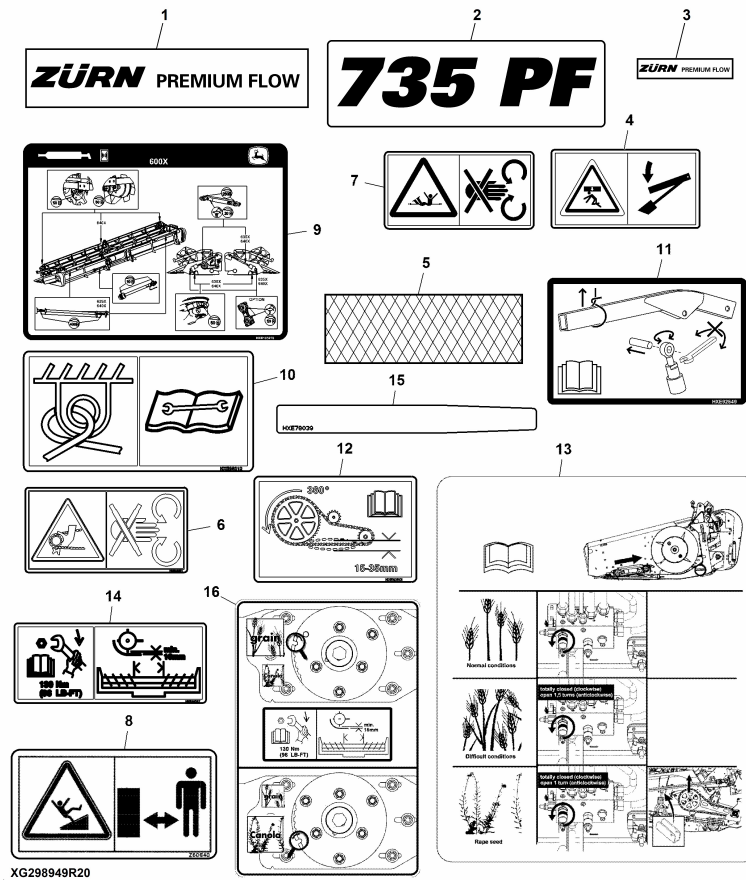


XG298949R17

Pos.	Artikel-Nr.	Benennung	Menge	Serial	No.
1	H201543	LABEL, JOHN DEERE - 50MM HIGH	2		
2	54588	DECAL 35FT	2		
3	JD5706	LABEL, TRADEMARK, LEAPING DEER	2		
4	Z102869	LABEL, LABEL	2		
5	Z42149	LABEL, LABEL	1		
6	Z60325	LABEL, LABEL	2		
7	Z60639	LABEL, DECAL.SECURITE GARANT TRANSM	1		
8	Z60640	LABEL, LABEL	2		
9	53800	LABEL	1		
10	HXE90212	LABEL, TIE DOWN POINT DECAL	4		
11	HXE92649	LABEL, REEL HEIGHT ADJUSTMENT INSTR	1		
12	HXE113501	LABEL, 600R&X CHAIN TENSION DECAL	1		
13	54916	DECAL	1		
14	HXE99587	LABEL, AUGER TIMING BOLT TORQUE DEC	1		
15	HXE78039	LABEL, SAFETY LABEL FOR SAFETYSTOP	1		
16	54762	DECAL	1		

Decals (21320 -)

XG298949R20

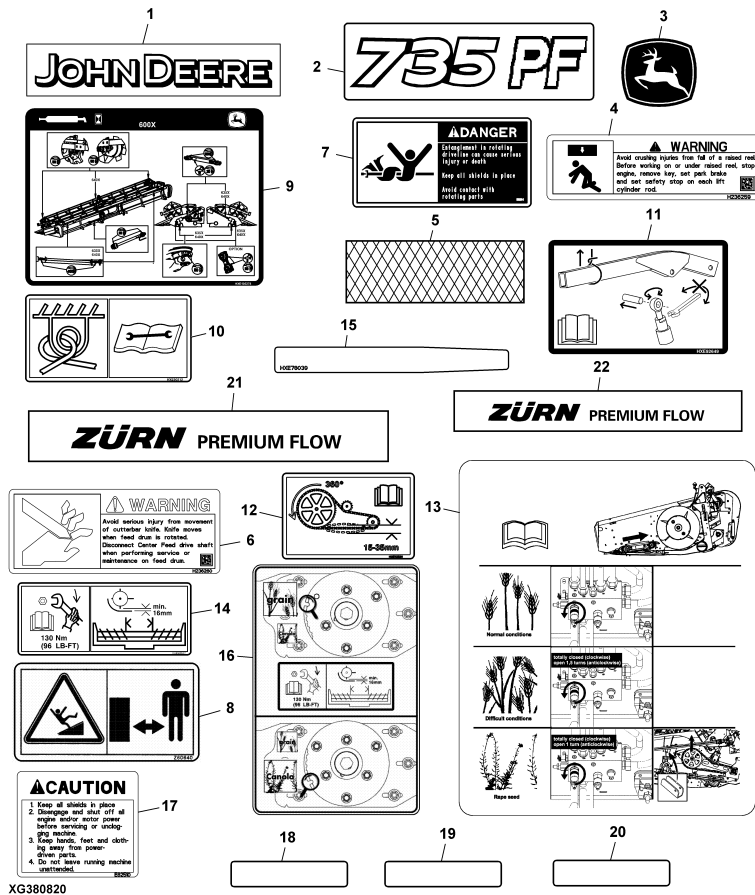


XG298949R20

Pos.	Artikel-Nr.	Benennung	Menge	Serial	No.
1	54841	LABEL	2		
2	54846	DECAL 35FT	2		
3	54842	LABEL, TRADEMARK	2		
4	Z102869	LABEL, LABEL	2		
5	Z42149	LABEL, LABEL	1		
6	Z60325	LABEL, LABEL	2		
7	Z60639	LABEL, DECAL.SECURITE GARANT TRANSM	1		
8	Z60640	LABEL, LABEL	2		
9	53800	LABEL	1		
10	HXE90212	LABEL, TIE DOWN POINT DECAL	4		
11	HXE92649	LABEL, REEL HEIGHT ADJUSTMENT INSTR	1		
12	HXE113501	LABEL, 600R&X CHAIN TENSION DECAL	1		
13	54916	DECAL	1		
14	HXE99587	LABEL, AUGER TIMING BOLT TORQUE DEC	1		
15	HXE78039	LABEL, SAFETYLABEL FOR SAFETYSTOP	1		
16	54762	DECAL	1		

Decals (For North America)

XG380820

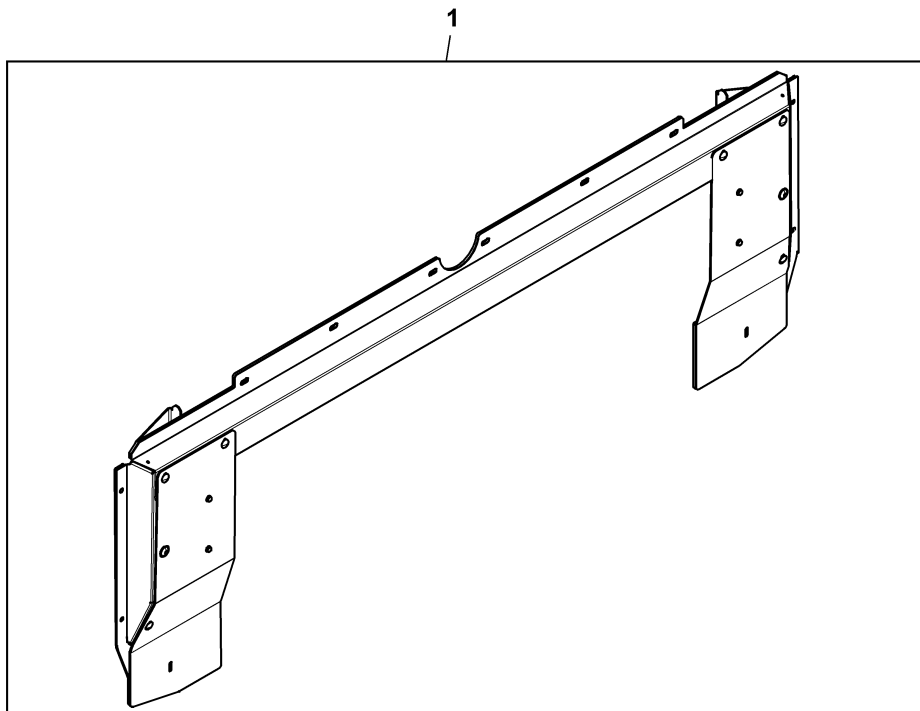


XG380820

Pos.	Artikel-Nr.	Benennung	Menge	Serial	No.
1	54841	LABEL	2		
2	54846	DECAL 35FT	2		
3	54842	LABEL, TRADEMARK	2		
4	H236259	SAFETY SIGN, SAFETY, REEL SERVICE	2		
5	Z42149	LABEL, LABEL	1		
6	H236260	SAFETY SIGN, CUTTERBAR SAFETY SIGN	3		
7	E82514	SAFETY SIGN, LABEL	4		
8	H203507	LABEL, DECAL - ACCUMULATOR WARNING	3		
9	53800	LABEL	1		
10	HXE90212	LABEL, TIE DOWN POINT DECAL	4		
11	HXE92649	LABEL, REEL HEIGHT ADJUSTMENT INSTR	2		
12	HXE113501	LABEL, 600R&X CHAIN TENSION DECAL	1		
13	51967	LABEL DOUBLE SPEED	1		
14	HXE99587	LABEL, AUGER TIMING BOLT TORQUE DEC	1		
15	HXE78039	LABEL, SAFETY LABEL FOR SAFETYSTOP	2		
16	54762	DECAL	1		
17	E82510	LABEL, (CAUTION)	1		
18	JD5920	REFLECTIVE LABEL, RED	4		
19	JD5921	REFLECTIVE LABEL, YELLOW	2		
20	JD5922	FLUORESCENT LABEL, RED-ORANGE	4		
21	54842	LABEL, TRADEMARK	1		
22	54841	LABEL	1		

Feeder House Deflector for 5 Walker, W/T Series, W/ Lateral Tilt

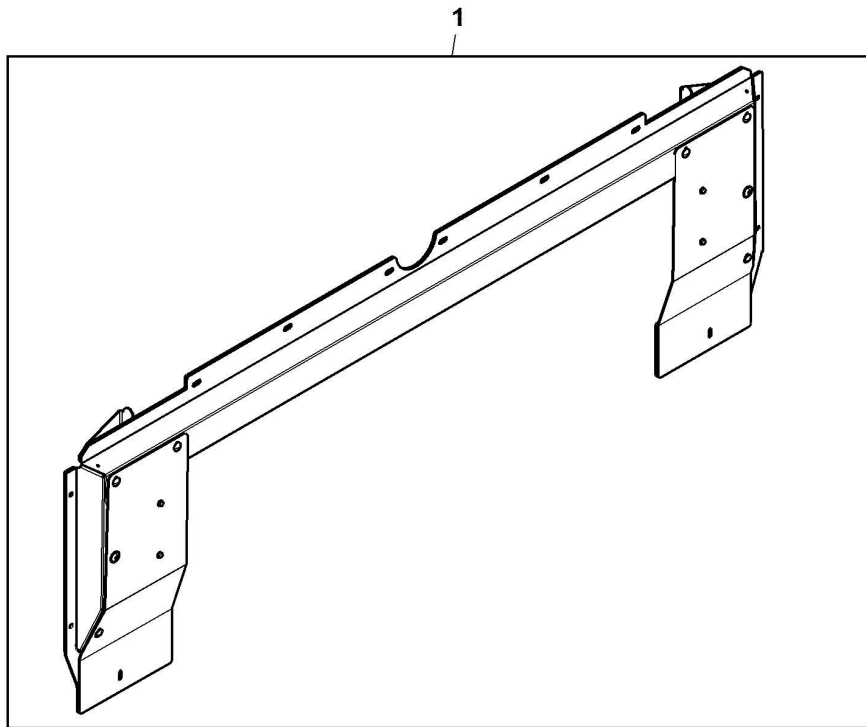
XG346378



Pos.	Artikel-Nr.	Benennung	Menge	Serial	No.
1	54581	5 WALKER W/T LT	1		

Feeder House Deflector for 5 Walker, HillMaster™

XG346377

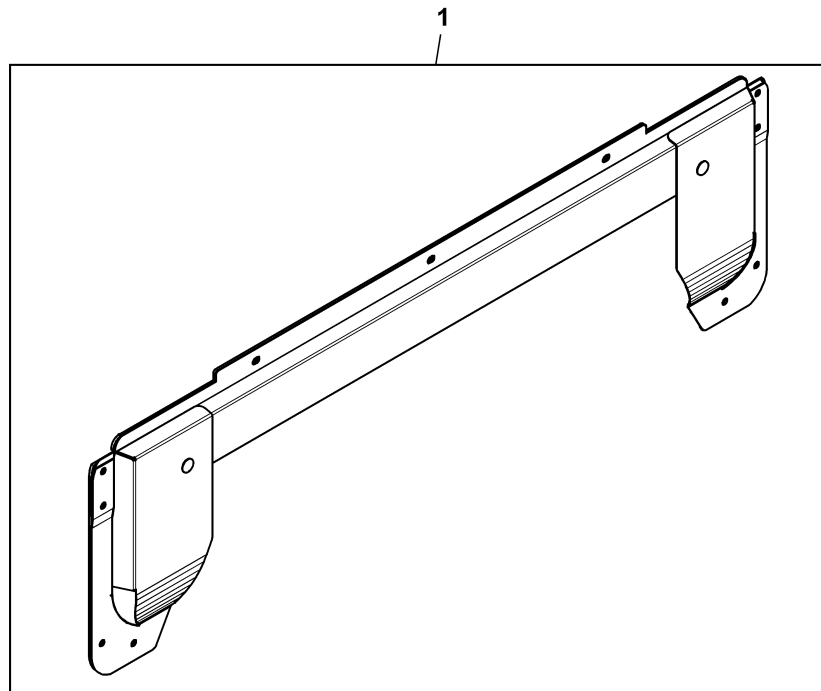


XG346377

Pos.	Artikel-Nr.	Benennung	Menge	Serial	No.
1	54580	5 WALKER W/T HM	1		

Feeder House Deflector for S Series

XG346376

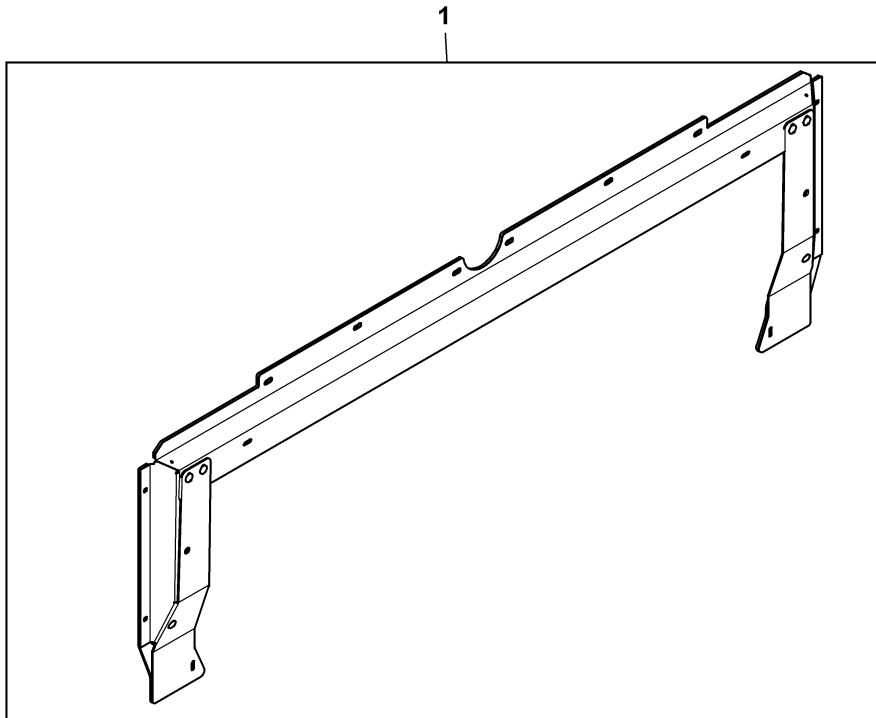


XG346376

Pos.	Artikel-Nr.	Benennung	Menge	Serial	No.
1	54253	S-COMBINE	1		

Feeder House Deflector for 6 Walker, W/T Series

XG346375



Pos.	Artikel-Nr.	Benennung	Menge	Serial	No.
1	53929	6 WALKER W/T (HM, LL; LT)	1		



Zürn Harvesting GmbH & Co. KG
Eichenstraße 27
D-74747 Ravenstein-Merchingen

Tel.: +49 6297 92885-0
Fax: +49 6297 92885-19
E-Mail: info@zuern.de

Internet: www.zuern.de