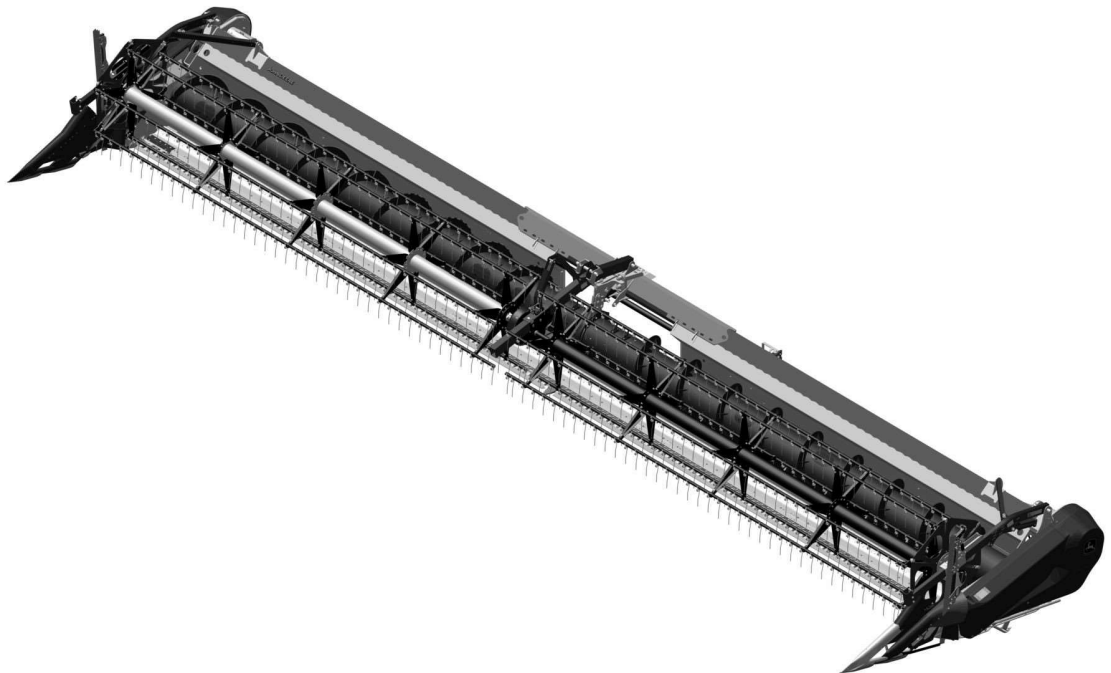


# ERSATZTEILKATALOG

**740 Premium Flow - 12,20 m**

Artikelnummer: 55809



---

## Impressum

2. Auflage 2023 (Version A)

Redaktionsdatum 06/2023 © Zürn Harvesting GmbH & Co. KG

Alle Rechte, auch die Übersetzung, vorbehalten.

Kein Teil dieser Ersatzteilliste darf in irgendeiner Form (Druck Fotokopie oder einem anderen Verfahren) ohne schriftliche Zustimmung der Firma Zürn Harvesting GmbH & Co. KG, Schöntal reproduziert oder unter Verwendung elektronischer Systeme verarbeitet, vervielfältigt oder verbreitet werden.

Technische Änderungen vorbehalten.

Gedruckt auf Papier aus chlorfrei und säurefrei gebleichtem Zellstoff.

## Masthead

2nd edition 2023 (version A)

Editorial date 06/2023 © Zürn Harvesting GmbH & Co. KG

All rights reserved, also applies to the translation.

No part of this spare-parts list must be reproduced in any form (print, photocopy or any other process) or processed, duplicated or distributed using electronic systems without the written permission of the Zürn Harvesting GmbH & Co. KG, Schöntal.

We reserve the right to make technical amendments.

Printed on paper made from chlorine-free and acid-free bleached pulp.

## Inhaltsverzeichnis

Vorwort .....	5
Typenschild .....	6
Drehmomenttabelle .....	7
Main Frame Mounting Elements .....	9
Front Building .....	11
Side Wall, LH .....	12
Side Wall, LH .....	13
Side Wall, RH .....	14
Side Wall, RH .....	15
Pickup Reel, Plastic Tine .....	16
Reel Arm, RH .....	18
Reel Arm, LH .....	20
Reel Arm, Center .....	22
Reel Eccentric Spider, LH .....	23
Reel Eccentric Spider, RH .....	24
Saddle Bracket, Reel, LH .....	25
Saddle Bracket, Reel, RH .....	26
Reel Drive, Center .....	27
Crop Lifter .....	28
Cutterbar Head Section, LH .....	29
Cutterbar Head Section, RH .....	30
Cutterbar Head Section, Rear .....	31
Cutterbar Head Section Kit .....	32
Cutterbar Head Section Kit .....	33
Knife Drive, LH .....	34
Knife Drive Shaft, LH .....	36
Knife Drive Shaft, LH .....	38
Cutterbar Drive, LH .....	40
Cutterbar Drive, LH .....	42
Knife Drive, RH .....	44
Knife Drive Shaft, RH .....	46
Top Shaft .....	48
Auger Mount, LH .....	49
Auger Mount, RH .....	51
Auger Mount, Center .....	53
Auger, LH .....	55
Auger, LH .....	56
Auger, RH .....	57
Auger, RH .....	58
Auger Finger Assembly .....	59
Auger Flights and Fingers .....	60
Bearings and Chain Tensioner for Auger Drive, Standard .....	61

Strippers and Supports, Frame .....	62
Strippers and Supports, Frame .....	63
Strippers Feeder House Extension for S Series .....	64
Attachment, Foldable Crop Divider, Short, LH .....	65
Foldable Crop Divider, Short, LH .....	66
Attachment, Foldable Crop Divider, Short, RH .....	68
Foldable Crop Divider, Short, RH .....	69
Adapter Kit .....	71
Crop Divider Extension, Attachment .....	73
Cover, Upper Shaft Shields .....	74
Table Structure, Cutterbar, RH .....	75
End Shield and Mounting, RH .....	76
End Shield and Mounting, RH .....	78
End Shield and Mounting, LH .....	79
End Shield and Mounting, LH .....	81
Skid Plates .....	82
Skid Plates .....	83
Skid Plates .....	84
Skid Plates .....	85
Belt Body Mounting Unit .....	86
Belt Body Mounting Unit .....	87
Belt Body Mounting Unit .....	88
Belt Body Mounting Unit .....	89
Belt Body Mounting Tool .....	90
Attachment, Rear Flood Lamps .....	91
Rear Flood Lamp, RH .....	92
Rear Flood Lamp, LH .....	93
Backshaft and Universal Drive Shaft .....	94
Universal Drive Shaft .....	95
Attachment, Tool Box .....	97
Tool Box .....	98
Reel Fore and Aft Mounting, Center .....	99
Reel Height Sensor, RH .....	100
Side Knife, RH .....	101
Clutch, Side Knife, RH .....	103
Attachment, Crop Side Knife Divider .....	104
Clutch, Side Knife, LH .....	105
Side Knife, LH .....	106
Crank Kit .....	109
Auto Header Height Control Sensors .....	110
Auto Header Height Control Sensors .....	112
Attachment, Side Knife Protection Guard .....	114
Knife Guards .....	115
Decals .....	116

---

## Inhaltsverzeichnis

Decals .....	117
Main Wiring Harness (1 of 2) .....	118
Main Wiring Harness (2 of 2) .....	119
Hydraulic Valve, Hoses and Reel Lift Slave Cylinders .....	120
Hydraulic Hoses and Motor, RH .....	124
Hydraulic Hoses and Motor, LH (1 of 2) .....	126
Hydraulic Valve, Hoses and Reel Lift Slave Cylinder, LH .....	128
Hydraulic Auger Lift .....	130
Feeder House Deflector for S Series .....	131
Feeder House Deflector for X Series .....	132

## Foreword

This machine is designed only for the usual application in agricultural work or similar activities. Any other use beyond this is deemed improper use of the machine. The manufacturer accepts no liability whatsoever for damage resulting from improper use; the risk will be borne solely by the user. Proper use also includes complying with the operation, maintenance and service conditions specified by the manufacturer.

Read the operating manual thoroughly to familiarise yourself with the correct operation and maintenance of the machine and to prevent injuries or damage to the machine. Not doing so can result in injuries or machine damage. This operating manual and the safety labels on the machine may also be available in other languages: please enquire at your dealership.

This operating manual is part of the machine and should be handed over to the purchaser if the machine is re-sold.

Dimensions specified in this operating manual are metric. Use only appropriate parts and bolts. Different spanners are required for metric bolts and bolts with imperial (inch) dimensions.

The designations "left" and "right" are with reference to the forward direction of the machine.

Enter the serial number in the first section of the operating manual. Please record all numbers accurately. In case of theft, these numbers can be important for tracing the machine. Your dealer also needs these numbers when you order spare parts. It is a good idea to keep a second record of these numbers in another location.

Your dealer has carried out an inspection of the machine prior to delivery. A further inspection should be carried out by your dealer after the first 20 to 50 hours of operation in order to ensure the best possible performance for the machine.

This machine must only be used, serviced and repaired by persons who are familiar with it and who have been briefed about its hazards. The relevant accident prevention regulations and other generally recognized rules and laws for safety, occupational health and road traffic must also be observed. Unauthorized changes to this trailer release the manufacturer from liability for any resulting damage.

## Typenschild

<b>ZÜRN</b> HARVESTING	
Typ	<input type="text"/>
Variante	<input type="text"/>
Bezeichnung	<input type="text"/>
Serien-Nr.	<input type="text"/>
Baujahr	<input type="text"/>
Leergewicht	<input type="text"/> kg
zul. Gesamtgew.	<input type="text"/> kg
zul. Achslast vo	<input type="text"/> kg
zul. Achslast hi	<input type="text"/> kg
Stützlast	<input type="text"/> kg

Zürn Harvesting GmbH & Co. KG  
Kopellenstr. 1  
D-74214 Schöntal-Westernhausen  
Tel. +49 7943/9105-0

**CE**

Made in Germany  
www.zuern.de

Bitte notieren Sie in der nachfolgenden Tabelle die Typenbezeichnung und die Seriennummer Ihrer Maschine, die Sie auf dem Typenschild finden. Das Typenschild ist auf der Rückwand rechts neben der Schrägfördereröffnung angebracht.

Diese Informationen sind bei Ersatzteilbestellungen oder Garantiefragen dem autorisierten Vertriebspartner mitzuteilen.

Typenbezeichnung:	<input type="text"/>
Seriennummer:	<input type="text"/>

## Rating plate

Please make a note of the type designation and serial number of your machine here. This information must be given to the authorised dealer when ordering spare parts or making guarantee enquiries.

Typenbezeichnung:	<input type="text"/>
Seriennummer:	<input type="text"/>

## Drehmomente für metrische Schrauben

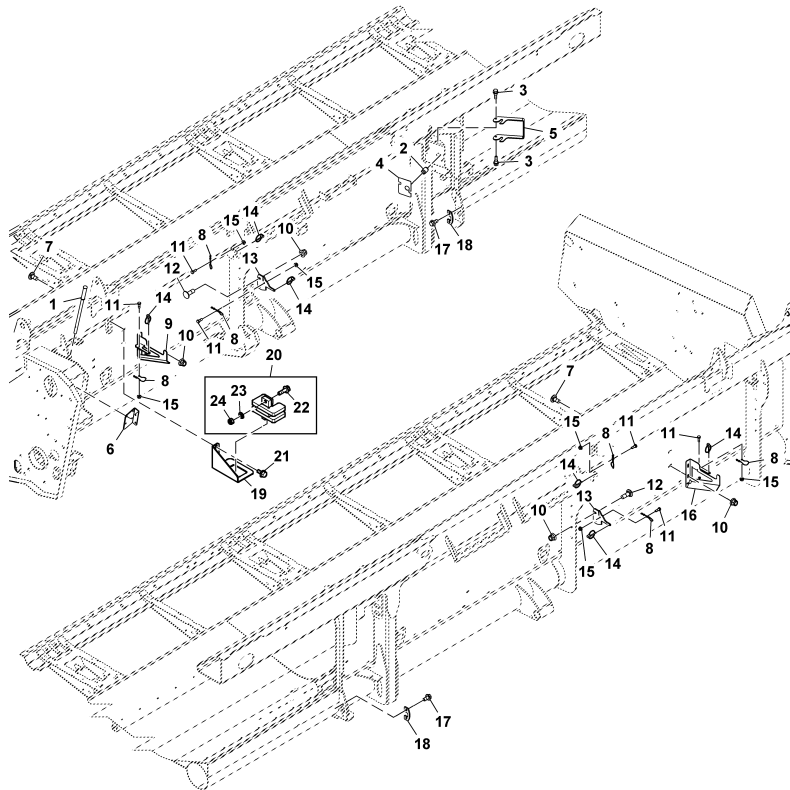
Schrauben	Güteklasse 4.8				Güteklasse 8.8 oder 9.8				Güteklasse 10.9				Güteklasse 12.9			
	Eingeölt		Trocken		Eingeölt		Trocken		Eingeölt		Trocken		Eingeölt		Trocken	
Größe	N•m	lb-in	N•m	lb-in	N•m	lb-in	N•m	lb-in	N•m	lb-in	N•m	lb-in	N•m	lb-in	N•m	lb-in
M6	4,7	42	6	53	8,9	79	11,3	100	13	115	16,5	146	15,5	137	19,5	172
M8	11,5	102	14,5	128	22	194	27,5	243	32	23,5	40	29,5	37	27,5	47	35
M10	23	204	29	21	43	32	55	40	63	46	80	59	75	55	95	70
M12	40	29,5	50	37	75	55	95	70	110	80	140	105	130	95	165	120
M14	63	46	80	59	120	88	150	110	175	130	220	165	205	150	260	190
M16	100	74	125	92	190	140	240	175	275	200	350	255	320	235	400	300
M18	135	100	170	125	265	195	330	245	375	275	475	350	440	325	560	410
M20	190	140	245	180	375	275	475	350	530	390	675	500	625	460	790	580
M22	265	195	330	245	510	375	650	480	725	535	920	680	850	625	1080	800
M24	330	245	425	315	650	80	820	600	920	680	1150	850	1080	800	1350	1000
M27	490	360	625	460	950	700	1200	885	1350	1000	1700	1250	1580	1160	2000	1475
M30	660	490	850	625	1290	950	1630	1200	1850	1350	2300	1700	2140	1580	2700	2000
M33	900	665	1150	850	1750	1300	2200	1625	2500	1850	3150	2325	2900	2150	3700	2730
M36	1150	850	1450	1075	2250	1650	2850	2100	3200	2350	4050	3000	3750	2770	4750	3500
<p>Die angegebenen Drehmomente sind Richtwerte. Diese Werte NICHT verwenden, wenn ein anderes Drehmoment oder ein anderes Befestigungsverfahren für eine bestimmte Anwendung angegeben ist. Für Schrauben und Muttern aus Edelstahl oder für Muttern an Bügelschrauben siehe spezifische Anweisungen. Kontermuttern mit Plastikeinsatz oder gebördelte Stahl-Kontermutter mit dem in der Tabelle angegebenen entsprechenden Drehmomente für trockene Schrauben und Muttern anziehen, sofern nicht andere Anweisungen gegeben werden.</p>								<p>Scherbolzen sind so ausgelegt, dass sie bei einer bestimmten Belastung abgesichert werden. Beim Austausch von Scherbolzen nur Bolzen gleicher Güte verwenden. Beim Austausch von Schrauben und Muttern darauf achten, dass entsprechende Teile gleicher oder höherer Güte verwendet werden. Schrauben und Muttern höherer Güte mit dem gleichen Drehmoment anziehen wie die ursprünglich verwendeten Teile. Sich vergewissern, dass die Gewinde sauber und Die Schrauben richtig eingesetzt sind. Wenn möglich, normale und verzinkte Schrauben und Muttern (mit Ausnahme von Kontermuttern, Radschrauben oder -mutter) einölen, wenn nicht bei der spezifischen Anwendung andere Anweisungen gegeben werden.</p>								
<p>„Eingeölt“ bedeutet, dass die Schrauben mit einem Schmiermittel wie z. B. Motoröl versehen werden, oder dass phosphatierte oder geölte Schrauben bzw. Schrauben mit Zinkbeschichtung nach JDM F13C mit einer Größe am M20 verwendet werden.</p>																
<p>„Trocken“ bedeutet, dass normale oder verzinkte Schrauben ohne jede Schmierung bzw. Schrauben mit einer Größe zwischen M6 und M18 mit Zinkbeschichtung nach JDM F13B verwendet werden.</p>																

## Torques for Metric Bolts

Bolts	Grade 4.8				Grade 8.8 oder 9.8				Grade 10.9				Grade 12.9			
	Oiled		Dry		Oiled		Dry		Oiled		Dry		Oiled		Dry	
Size	N•m	lb-in	N•m	lb-in	N•m	lb-in	N•m	lb-in	N•m	lb-in	N•m	lb-in	N•m	lb-in	N•m	lb-in
M6	4,7	42	6	53	8,9	79	11,3	100	13	115	16,5	146	15,5	137	19,5	172
M8	11,5	102	14,5	128	22	194	27,5	243	32	23,5	40	29,5	37	27,5	47	35
M10	23	204	29	21	43	32	55	40	63	46	80	59	75	55	95	70
M12	40	29,5	50	37	75	55	95	70	110	80	140	105	130	95	165	120
M14	63	46	80	59	120	88	150	110	175	130	220	165	205	150	260	190
M16	100	74	125	92	190	140	240	175	275	200	350	255	320	235	400	300
M18	135	100	170	125	265	195	330	245	375	275	475	350	440	325	560	410
M20	190	140	245	180	375	275	475	350	530	390	675	500	625	460	790	580
M22	265	195	330	245	510	375	650	480	725	535	920	680	850	625	1080	800
M24	330	245	425	315	650	80	820	600	920	680	1150	850	1080	800	1350	1000
M27	490	360	625	460	950	700	1200	885	1350	1000	1700	1250	1580	1160	2000	1475
M30	660	490	850	625	1290	950	1630	1200	1850	1350	2300	1700	2140	1580	2700	2000
M33	900	665	1150	850	1750	1300	2200	1625	2500	1850	3150	2325	2900	2150	3700	2730
M36	1150	850	1450	1075	2250	1650	2850	2100	3200	2350	4050	3000	3750	2770	4750	3500
<p>The tightening torques given are guideline values. Do NOT use these values if a different torque or another securing method is specified for a specific application. For stainless steel bolts and nuts for stirrup bolts, see specific instructions. Tighten locking nuts with plastic insert or edge-raised steel locking nuts to the corresponding torque for dry bolts and nuts given in the table unless otherwise instructed.</p>								<p>Shear pins are designed to break at a certain load. When replacing shear pins, use only pins of the same grade. When replacing bolts and nuts, make sure that equivalent parts of the same or a higher grade are used. Tighten higher-grade nuts and bolts to the same torque as the originally used parts. Make sure that the thread is clean and the bolts correctly fitted. If possible, oil normal and galvanised nuts and bolts (except for locking nuts and wheel studs or nuts) unless specified otherwise for the specific application.</p>								
<p>"Oiled" means that a lubricant, such as engine oil, is applied to the bolts or that phosphatized or oiled bolts with a size from M20 are used.</p>																
<p>"Dry" means the use of normal or galvanised bolts without lubrication or bolts with a size between M6 and M18 that are zinc-coated.</p>																

**Main Frame Mounting Elements**

XG327557R5

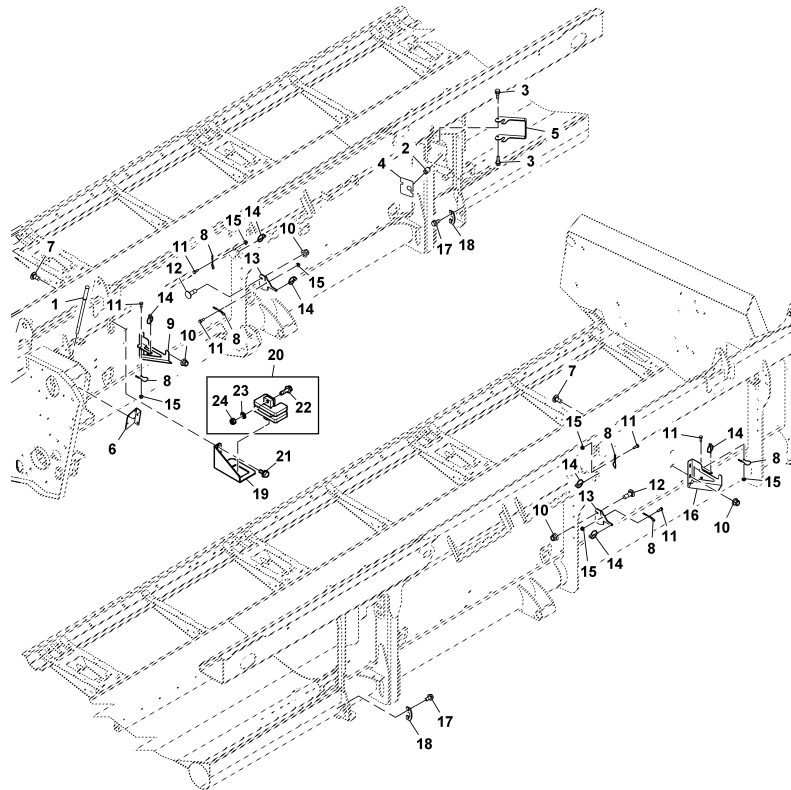


XG327557R5

Pos.	Artikel-Nr.	Benennung	Menge	Serial	No.
1	50380	LEVER, PUMP WITH HANDLE	1		
2	H176288	PLUG-MULTICOUPLER ELECTRICAL	1		
3	H169568	SCREW, SCREW,M8X1.25 THRD 8MM DEEP	2		
4	H201010	PAD-MULTICOUPLER STORAGE BRACKET	1		
5	H202866	HANDLE, SINGLE POINT STORAGE BRACKE	1		
6	54081	BRACKET, PUMP	1		
7	03M7197	BOLT, RD HD SQ SHORT NECK, METRIC	4		
8	H167815	STRAP, LYNCH PIN	6		
9	HXE116690	BRACKET, STORAGE DEVICE DIVIDER AND	1		
10	14M7401	NUT, METRIC, HEX FL, SELF LOCKING	8		
11	19M7560	SCREW, HEX HEAD, METRIC	6		
12	03M7199	BOLT, RD HD SQ SHORT NECK, METRIC	4		
13	HXE102573	BRACKET, STORAGE DEVICE DIVIDER AND	2		
14	M72598	PIN, LYNCH	6		
15	14M7303	NUT, METRIC, HEX FLANGE	6		
16	HXE116691	BRACKET, STORAGE DEVICE DIVIDER AND	1		
17	19M7784	SCREW, FLANGED, METRIC	4		
18	H137143	PLATE-FDR HSE LATCH PIN HOLD-DOWN	2		
19	54998	BRACKET	1		
20	54954	WASHER	1		
21	19M7865	SCREW, FLANGED, METRIC	2		
22	093230	SCREW	1		
23	70109	DIN125 FLAT WASHER 8,4 MM, YELLOW	1		

**Main Frame Mounting Elements**

XG327557R5

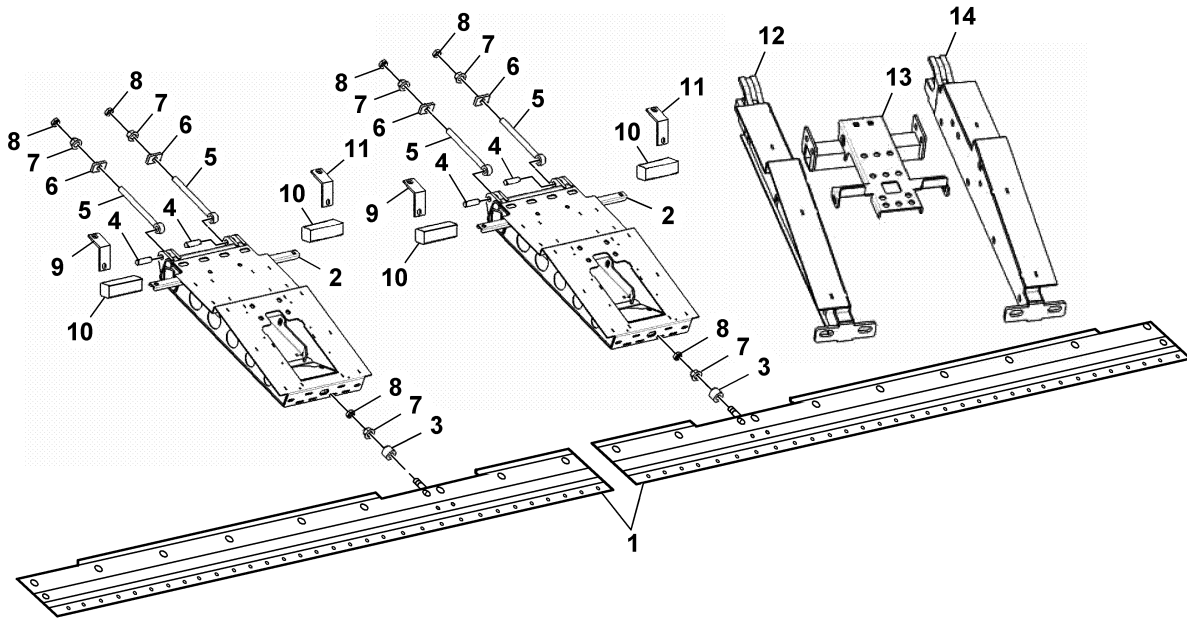


XG327557R5

Pos.	Artikel-Nr.	Benennung	Menge	Serial	No.
24	70103	DIN 985 HEXAGON NUT M8, BLUE	1		

**Front Building ( - 021257)**

XG304861

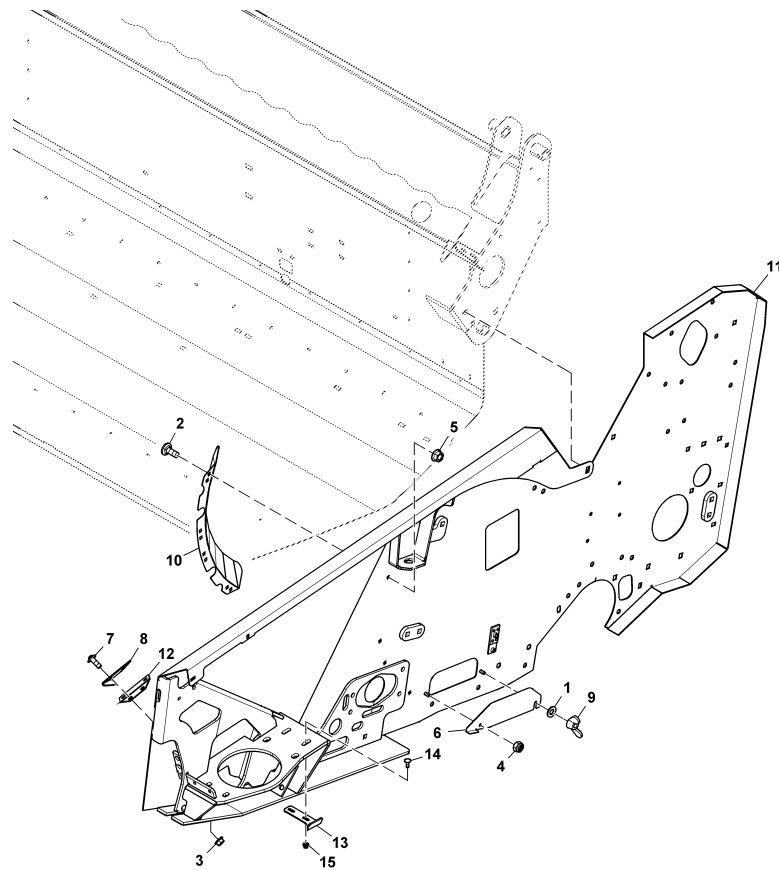


XG304861

Pos.	Artikel-Nr.	Benennung	Menge	Serial	No.
1	53300	CUTTERBAR	1		
2	52120	TRAVERSE	7		
3	53109	BUSHING, CUTTERBAR	7		
4	52339	PIN	14		
5	52340	EYE BOLT	14		
6	52341	WASHER EYE BOLT	14		
7	14M7291	NUT, HEX FLANGE M16X2 JDS119 10 ZN	21		
8	14M7260	NUT, METRIC, THIN HEX	21		
9	52174	CLAMP COVER LH	7		
10	52866	SUPPORT, SQUARE SPRING	14		
11	52441	CLAMP COVER RH	7		
12	53234	SUPPORT LH	3		
13	54919	SUPPORT	4		
14	53239	SUPPORT RH	3		

**Side Wall, LH ( - 021257)**

XG327548R1

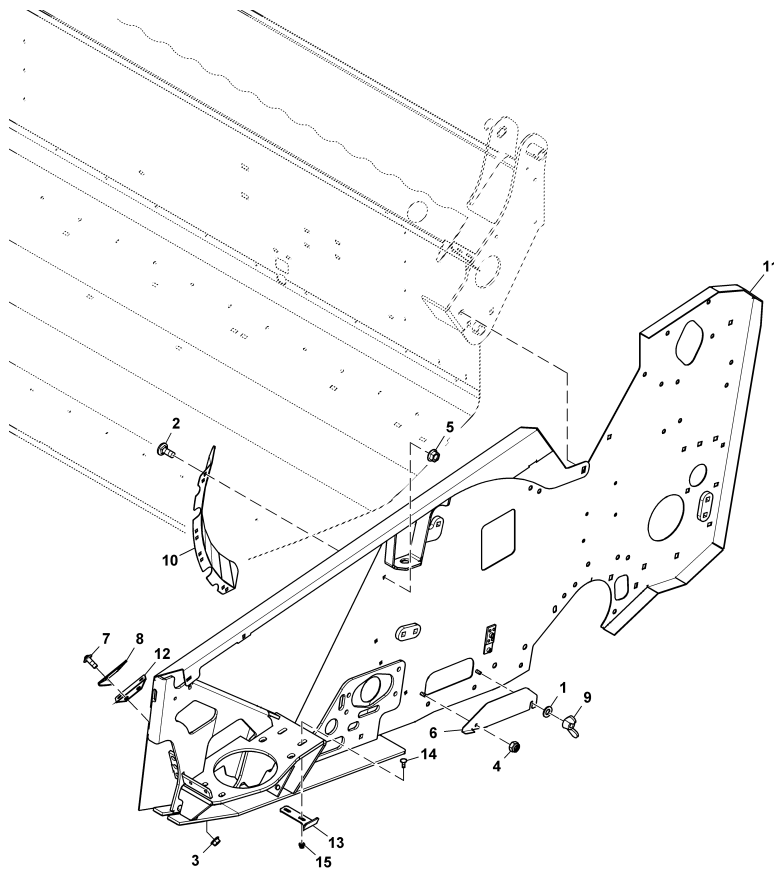


XG327548R1

Pos.	Artikel-Nr.	Benennung	Menge	Serial	No.
1	092182	WASHER DIN125 A8	2		
2	03M7184	BOLT, RD HD SQ SHORT NECK, METRIC	4		
3	14M7397	NUT, METRIC, HEX FL, SELF LOCKING	4		
4	092529	HEXAGON NUT	1		
5	14M7298	NUT, METRIC, HEX FLANGE	4		
6	54398	COVER, CLEANING, RIGHT	1		
7	70029	HALF-ROUND HEAD SCREW WITH HEXAGON	4		
8	53264	GUARD, FINGER	1		
9	091675	WING NUT DIN315 M8	1		
10	53332	SIDE WALL	1		
11	54926	SIDEWALL LEFT	1		
12	54786	GUARD	1		
13	54196	BRACKET , SIDE DOOR, LEFT	1		
14	093289	SCREW	2		
15	14M7400	NUT, METRIC, HEX FL, SELF LOCKING	2		

**Side Wall, LH ( 021258 - )**

XG327548R1

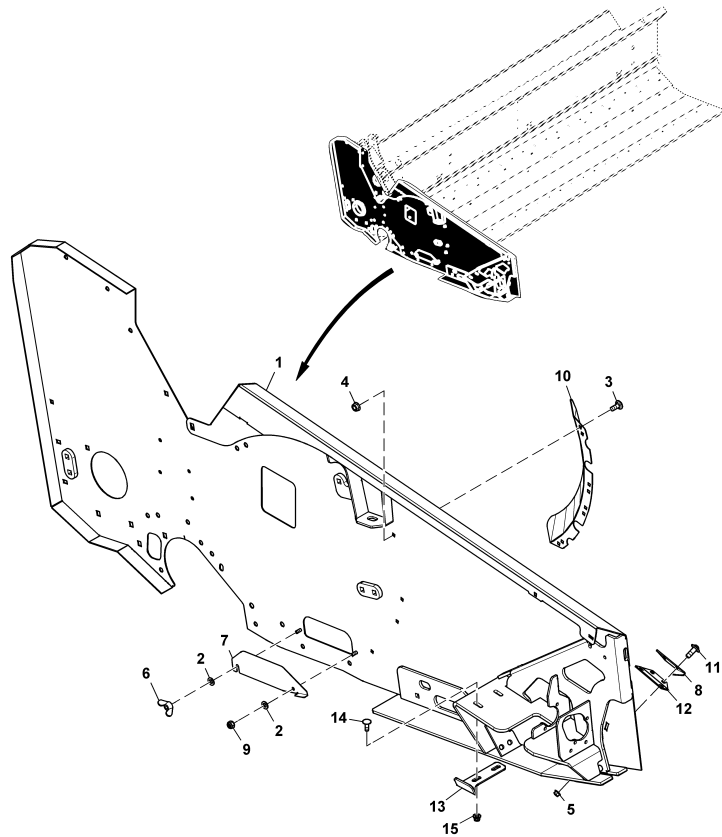


XG327548R1

Pos.	Artikel-Nr.	Benennung	Menge	Serial	No.
1	092182	WASHER DIN125 A8	2		
2	03M7184	BOLT, RD HD SQ SHORT NECK, METRIC	4		
3	14M7397	NUT, METRIC, HEX FL, SELF LOCKING	4		
4	092529	HEXAGON NUT	1		
5	14M7298	NUT, METRIC, HEX FLANGE	4		
6	54398	COVER, CLEANING, RIGHT	1		
7	70029	HALF-ROUND HEAD SCREW WITH HEXAGON	4		
8	53264	GUARD, FINGER	1		
9	091675	WING NUT DIN315 M8	1		
10	53332	SIDE WALL	1		
11	54413	SIDEWALL LEFT	1		
12	54786	GUARD	1		
13	54196	BRACKET , SIDE DOOR, LEFT	1		
14	093289	SCREW	2		
15	14M7400	NUT, METRIC, HEX FL, SELF LOCKING	2		

**Side Wall, RH ( - 021257)**

XG327549R2

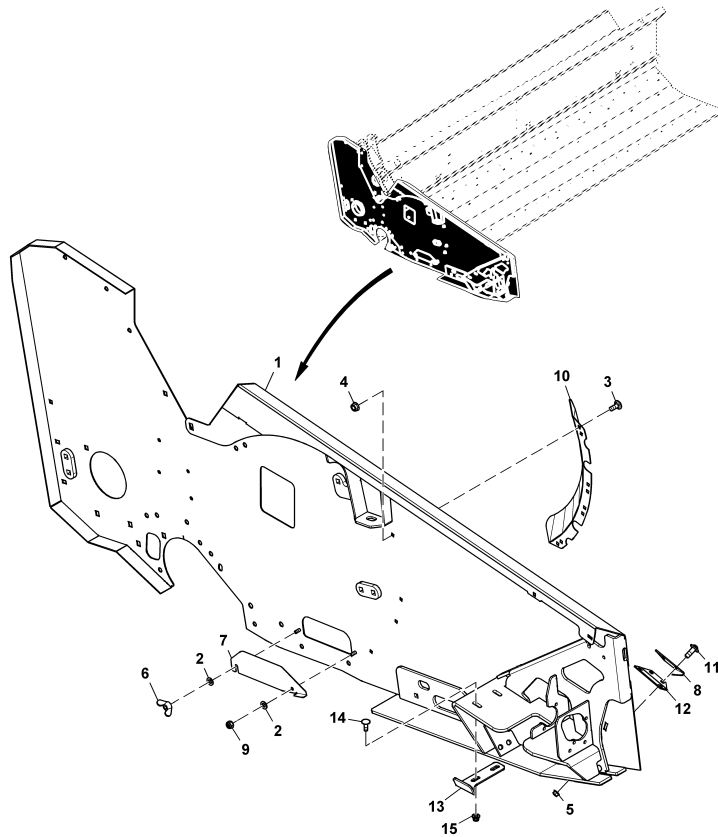


XG327549R2

Pos.	Artikel-Nr.	Benennung	Menge	Serial	No.
1	54927	SIDEWALL RIGHT	1		
2	092182	WASHER DIN125 A8	2		
3	03M7184	BOLT, RD HD SQ SHORT NECK, METRIC	4		
4	14M7298	NUT, METRIC, HEX FLANGE	4		
5	70233	HEXAGONAL NUT WITH FLANGE DIN6923 M	4		
6	091675	WING NUT DIN315 M8	1		
7	54397	COVER, CLEANING, LEFT	1		
8	53265	GUARD, FINGER	1		
9	092529	HEXAGON NUT	1		
10	53332	SIDE WALL	1		
11	70029	HALF-ROUND HEAD SCREW WITH HEXAGON	4		
12	54786	GUARD	1		
13	54200	BRACKET , SIDE DOOR, RIGHT	1		
14	093289	SCREW	2		
15	14M7400	NUT, METRIC, HEX FL, SELF LOCKING	2		

**Side Wall, RH ( 021258 - )**

XG327549R2

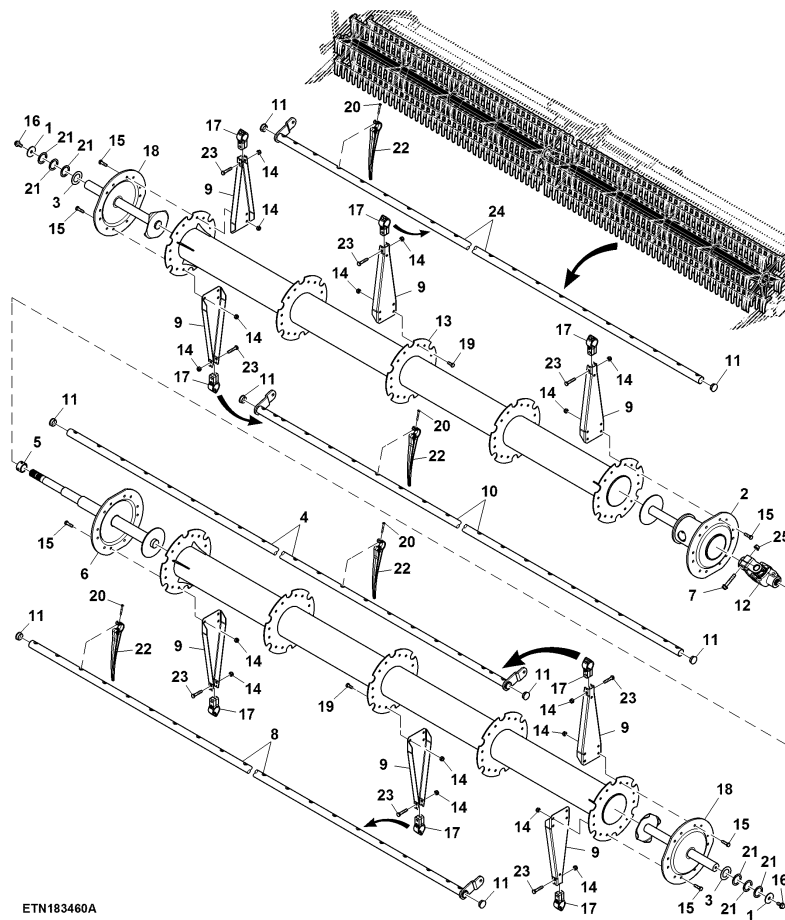


XG327549R2

Pos.	Artikel-Nr.	Benennung	Menge	Serial	No.
1	54544	SIDEWALL RIGHT	1		
2	092182	WASHER DIN125 A8	2		
3	03M7184	BOLT, RD HD SQ SHORT NECK, METRIC	4		
4	14M7298	NUT, METRIC, HEX FLANGE	4		
5	70233	HEXAGONAL NUT WITH FLANGE DIN6923 M	4		
6	091675	WING NUT DIN315 M8	1		
7	54397	COVER, CLEANING, LEFT	1		
8	53265	GUARD, FINGER	1		
9	092529	HEXAGON NUT	1		
10	53332	SIDE WALL	1		
11	70029	HALF-ROUND HEAD SCREW WITH HEXAGON	4		
12	54786	GUARD	1		
13	54200	BRACKET , SIDE DOOR, RIGHT	1		
14	093289	SCREW	2		
15	14M7400	NUT, METRIC, HEX FL, SELF LOCKING	2		

**Pickup Reel, Plastic Tine**

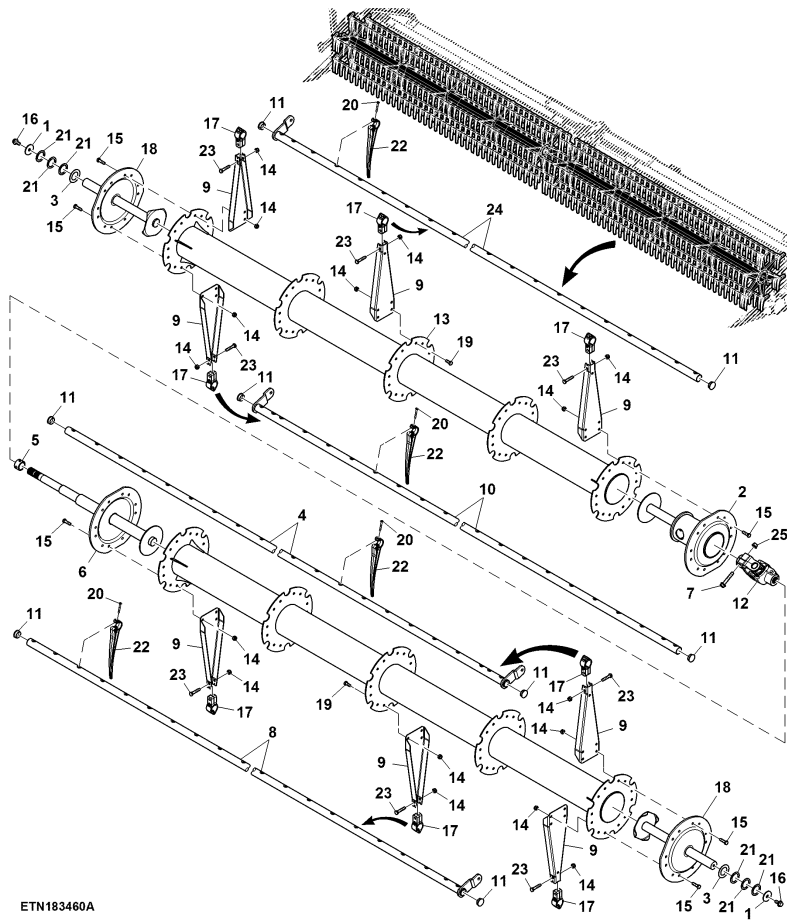
ETN183460A



Pos.	Artikel-Nr.	Benennung	Menge	Serial	No.
1	24H1881	WASHER, METALLIC, ROUND HOLE	2		
2	AXE55503	DRIVE SHAFT, DRIVE SHAFT, ASSEMBLY,	1		
3	Z47500	WASHER	2		
4	AXE46655	TUBE, STRUCTURAL TUBING, ASSY, 40F	3		
5	AXE36541	LOCKING COLLAR, ASSY, LOCKING COLLA	1		
6	AXE55505	DRIVE SHAFT, DRIVE SHAFT, ASSEMBLY,	1		
7	19M7817	SCREW, FLANGED, METRIC	2		
8	AXE46653	TUBE, STRUCTURAL TUBING, ASSY, 40F	3		
9	H177610	ARM, ARM, REEL SPIDER, 203.2	60		
10	AXE46656	TUBE, STRUCTURAL TUBING, ASSY, 40F	3		
11	99M7056	PLUG	24		
12	AXE12077	UNIVERSAL JOINT, SPLIT REEL	1		
13	AXE23134	STRUCTURAL TUBING, STRUCTURAL TUBIN	2		
14	14M7167	NUT, METRIC, HEX PREVAILING TORQUE	180		
15	19M7169	SCREW, HEX HEAD, METRIC	48		
16	19M7788	SCREW, FLANGED, METRIC	2		
17	AXE28803	BEARING, BEARING REEL BAT TUBE	60		
18	AXE36977	DRIVE SHAFT, REEL DRIVE SHAFT END A	2		
19	19M7167	SCREW, HEX HEAD, METRIC	72		
20	HXE81660	SCREW, SCREW, REEL FINGER 6MM X 50	486		
21	Z39386	WASHER, WASHER	6		
22	KXE10423	FINGER KIT, REEL FINGER KIT, QTY 10	1		
23	19M7658	SCREW, HEX HEAD, METRIC	60		

**Pickup Reel, Plastic Tine**

ETN183460A

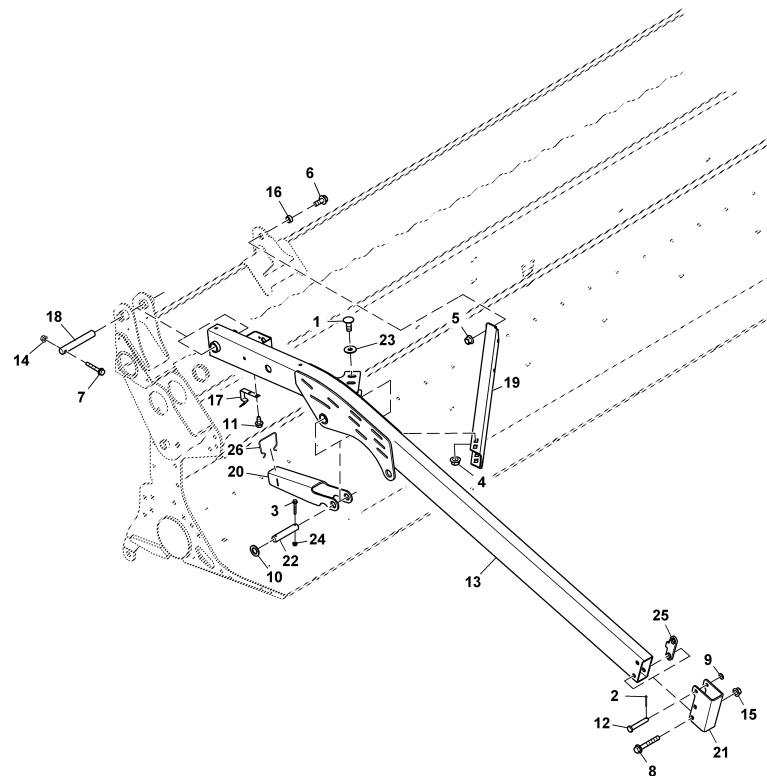


ETN183460A

Pos.	Artikel-Nr.	Benennung	Menge	Serial	No.
24	AXE46654	TUBE, STRUCTURAL TUBING, ASSY, 40F	3		
25	14M7401	NUT, METRIC, HEX FL, SELF LOCKING	2		

**Reel Arm, RH**

XG410212

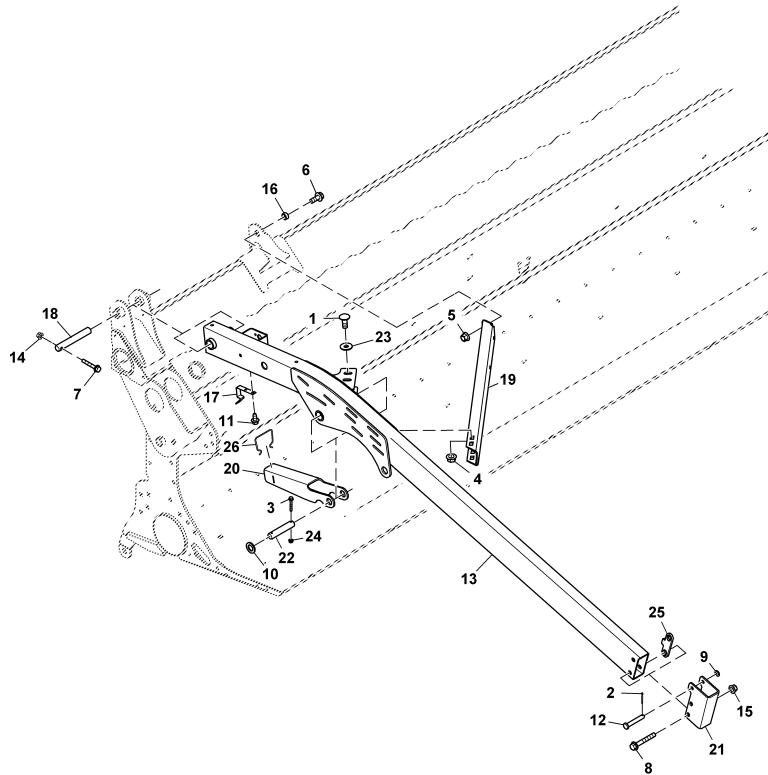


XG410212

Pos.	Artikel-Nr.	Benennung	Menge	Serial	No.
1	03M7198	BOLT, RD HD SQ SHORT NECK, METRIC	4		
2	11M7015	PIN, COTTER	1		
3	19M8321	SCREW, FLANGED, METRIC	2		
4	14M7299	NUT, METRIC, HEX FLANGE	4		
5	14M7589	NUT, METRIC, HEX FL, SELF LOCKING	1		
6	19M7793	SCREW, FLANGED, METRIC	1		
7	19M8319	SCREW, FLANGED, METRIC	1		
8	19M9108	SCREW, FLANGED, METRIC	2		
9	24M7044	Washer	1		
10	24M7091	WASHER, METALLIC, ROUND HOLE	2		
11	37M7089	SCREW, SLFTP, METRIC THD, HEX WSHR	2		
12	45M7045	Pin Fastener	1		
13	53596	REEL ARM RH	1		
14	H137328	LOCK NUT, LOCKNUT-FLANGE, M8	1		
15	14M7401	NUT, METRIC, HEX FL, SELF LOCKING	2		
16	HXE89009	BUSHING, SPACER, REEL ARM PIVOT 600	1		
17	H201097	LATCH, REEL LIFT SAFETY STOP	1		
18	HXE87467	PIN, PIN	1		
19	HXE93290	REINFORCEMENT, DIAGONAL REINFORCEME	1		
20	HXE103984	CHANNEL, REEL ARM SAFETY STOP 600X	1		
21	HXE99296	SUPPORT, REEL FORE/AFT CYLINDER SUP	1		
22	HXE87694	PIN, PIN REEL ARM 600X	1		
23	24M7180	WASHER, METALLIC, ROUND HOLE	4		

**Reel Arm, RH**

XG410212

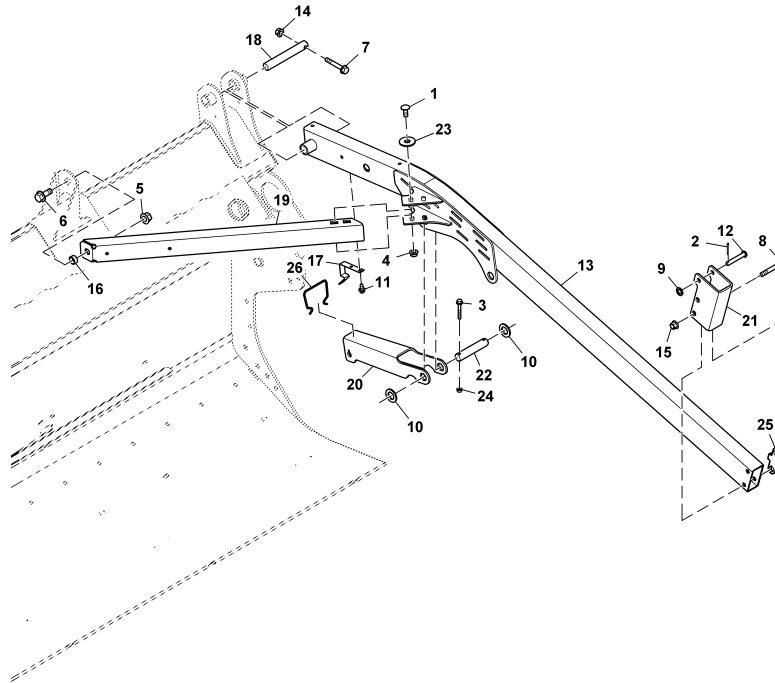


XG410212

Pos.	Artikel-Nr.	Benennung	Menge	Serial	No.
24	14M7397	NUT, METRIC, HEX FL, SELF LOCKING	2		
25	HXE99297	PLATE, SPACER	1		
26	HXE103986	RETAINER, RETAINER, SAFETY STOP 600	1		

**Reel Arm, LH**

XG410213

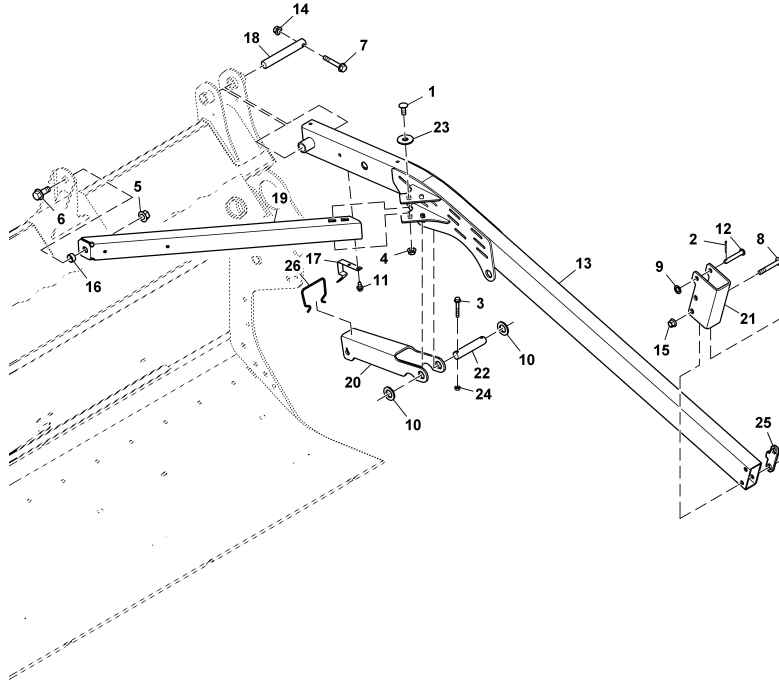


XG410213

Pos.	Artikel-Nr.	Benennung	Menge	Serial	No.
1	03M7198	BOLT, RD HD SQ SHORT NECK, METRIC	4		
2	11M7015	PIN, COTTER	1		
3	19M8321	SCREW, FLANGED, METRIC	2		
4	14M7299	NUT, METRIC, HEX FLANGE	4		
5	14M7589	NUT, METRIC, HEX FL, SELF LOCKING	1		
6	19M7793	SCREW, FLANGED, METRIC	1		
7	19M8319	SCREW, FLANGED, METRIC	1		
8	19M9108	SCREW, FLANGED, METRIC	2		
9	24M7044	Washer	1		
10	24M7091	WASHER, METALLIC, ROUND HOLE	2		
11	37M7089	SCREW, SLFTPG, METRIC THD, HEX WSHR	2		
12	45M7045	Pin Fastener	1		
13	53597	REEL ARM LH	1		
14	H137328	LOCK NUT, LOCKNUT-FLANGE, M8	1		
15	14M7401	NUT, METRIC, HEX FL, SELF LOCKING	2		
16	HXE89009	BUSHING, SPACER, REEL ARM PIVOT 600	1		
17	H201097	LATCH, REEL LIFT SAFETY STOP	1		
18	HXE87467	PIN, PIN	1		
19	HXE93290	REINFORCEMENT, DIAGONAL REINFORCEME	1		
20	HXE103984	CHANNEL, REEL ARM SAFETY STOP 600X	1		
21	HXE99296	SUPPORT, REEL FORE/AFT CYLINDER SUP	1		
22	HXE87694	PIN, PIN REEL ARM 600X	1		
23	24M7180	WASHER, METALLIC, ROUND HOLE	4		

**Reel Arm, LH**

XG410213

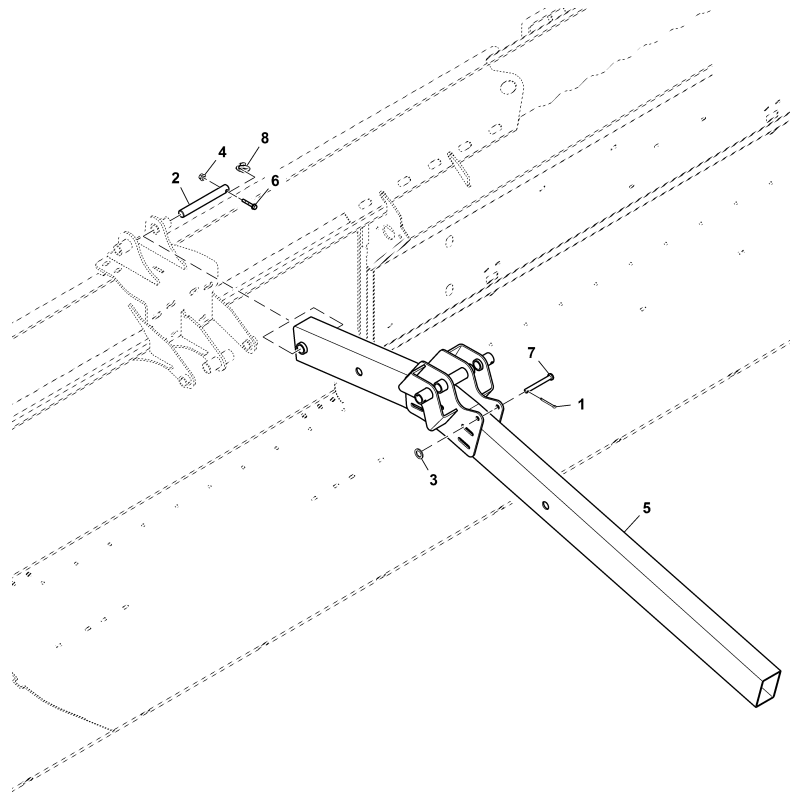


XG410213

Pos.	Artikel-Nr.	Benennung	Menge	Serial	No.
24	14M7397	NUT, METRIC, HEX FL, SELF LOCKING	2		
25	HXE99297	PLATE, SPACER	1		
26	HXE103986	RETAINER, RETAINER, SAFETY STOP 600	1		

**Reel Arm, Center**

XG298891

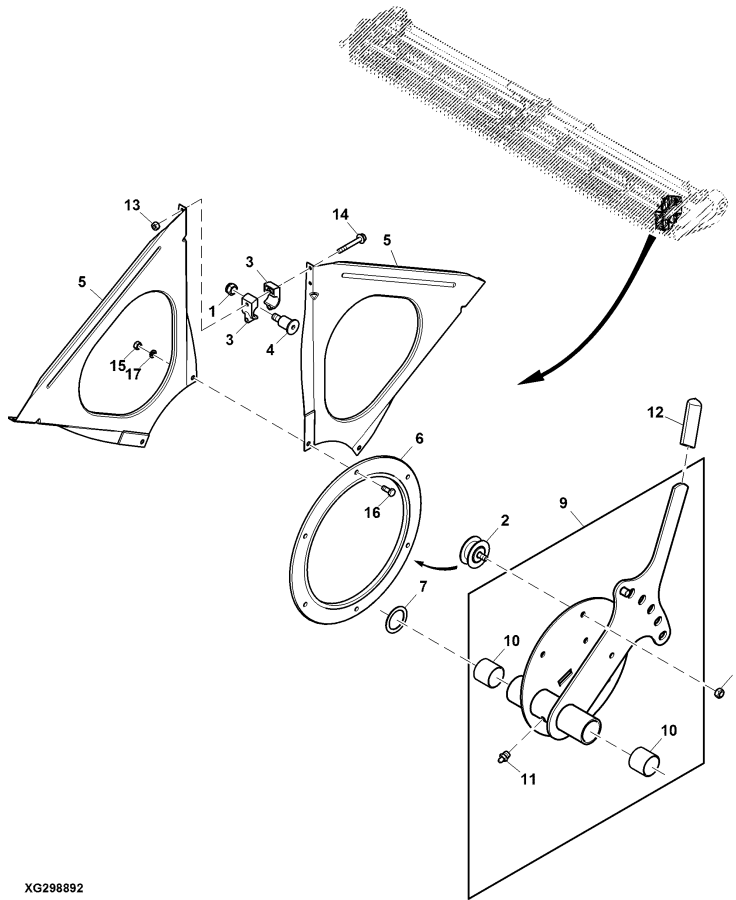


XG298891

Pos.	Artikel-Nr.	Benennung	Menge	Serial	No.
1	11M7015	PIN, COTTER	1		
2	53348	PIN	1		
3	24M7044	Washer	5		
4	H137328	LOCK NUT, LOCKNUT-FLANGE, M8	2		
5	53340	ARM	1		
6	19M8319	SCREW, FLANGED, METRIC	2		
7	HXE24510	PIN FASTENER, DRILLED, SAE CLEVIS H	1		
8	53351	HOSE CLAMP	2		

**Reel Eccentric Spider, LH**

XG298892

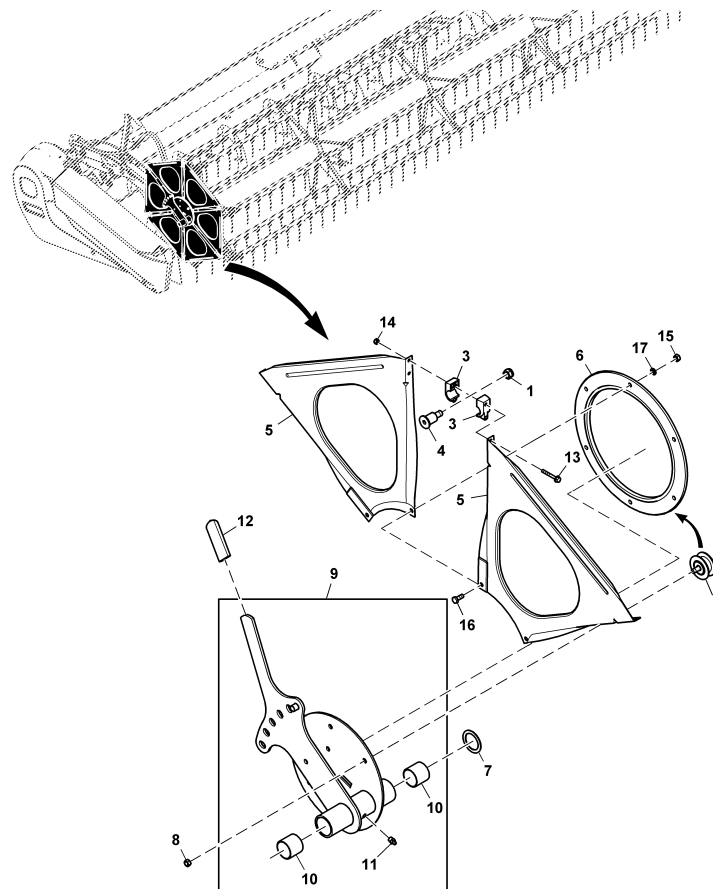


XG298892

Pos.	Artikel-Nr.	Benennung	Menge	Serial	No.
1	14M7168	NUT, METRIC, HEX PREVAILING TORQUE	6		
2	AH169497	BEARING ASSY, REEL ECCENTRIC	3		
3	H175603	HOUSING, REEL ARM BEARING	12		
4	H175609	SCREW, METRIC SOCKET HEAD	6		
5	H175610	SHIELD, SHIELD, ECCENTRIC	6		
6	H175744	ECCENTRIC, CONTROL RING (6 BAT)	1		
7	Z39386	WASHER, WASHER	1		
8	A51212	LOCKNUT, HEX DEFLECTED THD M10	3		
9	AXE54382	SUPPORT, L.H REEL TIMING ASSEMBLY	1		
10	H174842	BUSHING, PU REELS	2		
11	JD7759	FITTING,LUBRICATION,STRAIGHT	1		
12	W25634	GRIP	1		
13	H168961	LOCK NUT-CENTER DEFLECTED THREAD	12		
14	19M8321	SCREW, FLANGED, METRIC	12		
15	14M7273	NUT, METRIC, HEX	6		
16	19M7139	SCREW, HEX HEAD, METRIC	6		
17	12M7065	LOCK WASHER	6		

**Reel Eccentric Spider, RH**

XG298893

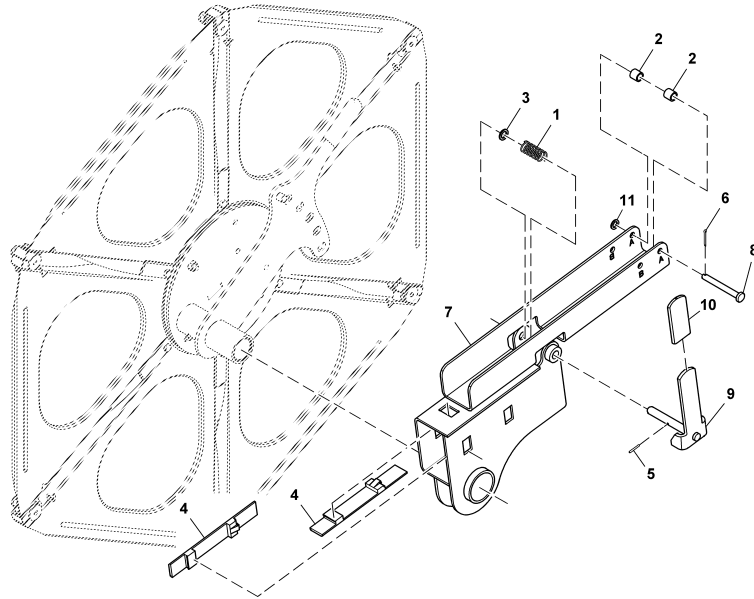


XG298893

Pos.	Artikel-Nr.	Benennung	Menge	Serial	No.
1	14M7168	NUT, METRIC, HEX PREVAILING TORQUE	6		
2	AH169497	BEARING ASSY, REEL ECCENTRIC	3		
3	H175603	HOUSING, REEL ARM BEARING	12		
4	H175609	SCREW, METRIC SOCKET HEAD	6		
5	H175610	SHIELD, SHIELD, ECCENTRIC	6		
6	H175744	ECCENTRIC, CONTROL RING (6 BAT)	1		
7	Z39386	WASHER, WASHER	1		
8	A51212	LOCKNUT, HEX DEFLECTED THD M10	3		
9	AXE54384	SUPPORT, R.H REEL TIMING ASSEMBLY	1		
10	H174842	BUSHING, PU REELS	2		
11	JD7759	FITTING,LUBRICATION,STRAIGHT	1		
12	W25634	GRIP	1		
13	19M8321	SCREW, FLANGED, METRIC	12		
14	H168961	LOCK NUT-CENTER DEFLECTED THREAD	12		
15	14M7273	NUT, METRIC, HEX	6		
16	19M7139	SCREW, HEX HEAD, METRIC	6		
17	12M7065	LOCK WASHER	6		

**Saddle Bracket, Reel, LH**

XG298894R1

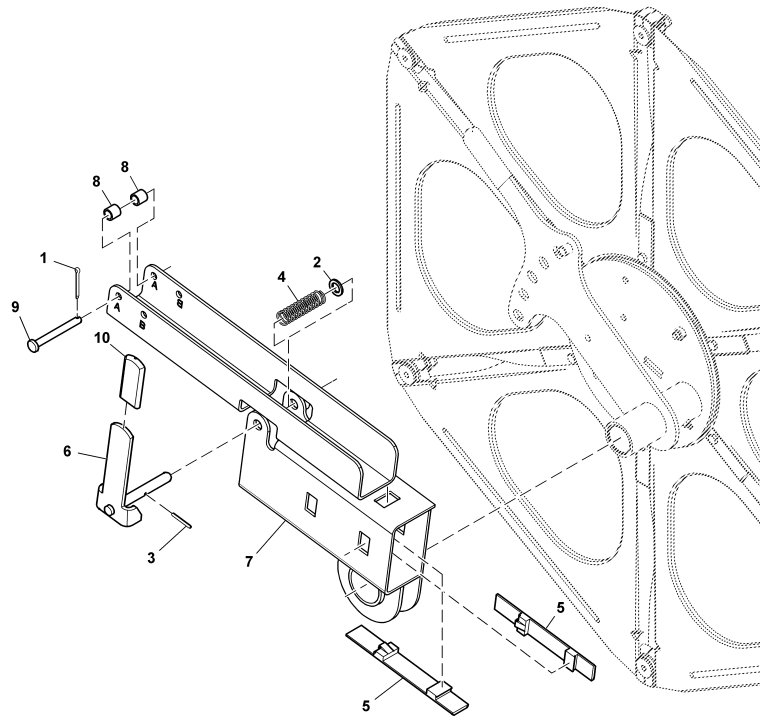


XG298894R1

Pos.	Artikel-Nr.	Benennung	Menge	Serial	No.
1	H169141	SPRING, REEL FINGER PITCH ADJ.	1		
2	28H3381	BUSHING, CLASS D	2		
3	24M7145	WASHER, METALLIC, ROUND HOLE	1		
4	H162672	PAD - REEL SLIDE	4		
5	34M7023	PIN, SPRING	1		
6	11M7015	PIN, COTTER	1		
7	AXE67900	BRACKET, REEL SADDLE BRACKET LH	1		
8	W38051	PIN FASTENER, PIN	1		
9	AXE37425	SPRING LOCKING PIN, REEL TIMING LOC	1		
10	W25634	GRIP	1		
11	24M7044	Washer	1		

**Saddle Bracket, Reel, RH**

XG298895R1

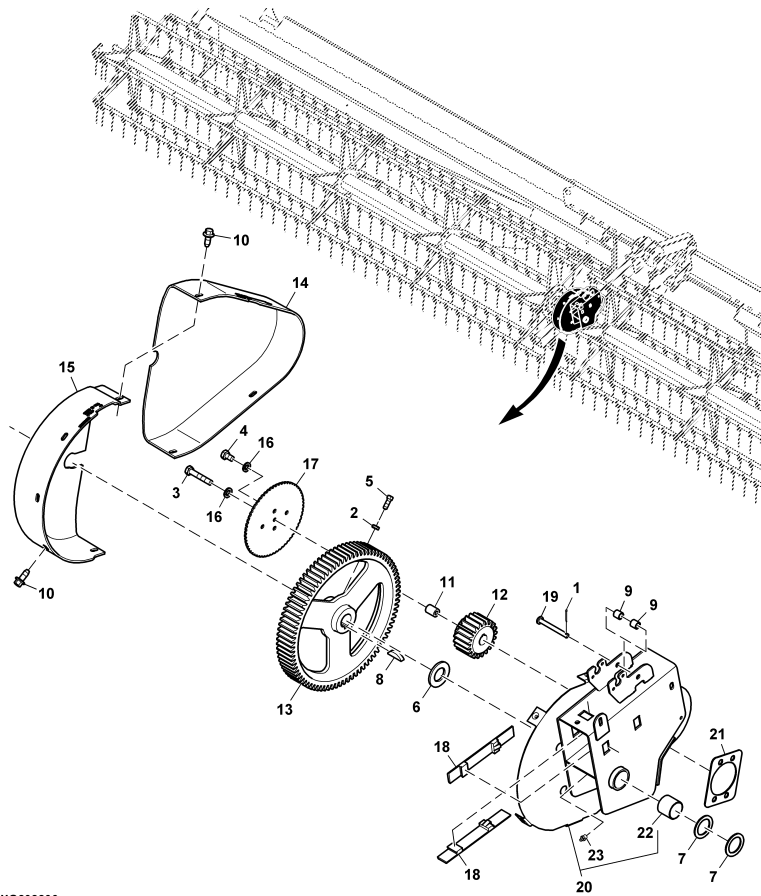


XG298895R1

Pos.	Artikel-Nr.	Benennung	Menge	Serial	No.
1	11M7015	PIN, COTTER	1		
2	24M7145	WASHER, METALLIC, ROUND HOLE	1		
3	34M7023	PIN, SPRING	1		
4	H169141	SPRING, REEL FINGER PITCH ADJ.	1		
5	H162672	PAD - REEL SLIDE	4		
6	AXE37425	SPRING LOCKING PIN, REEL TIMING LOC	1		
7	AXE67908	BRACKET, REEL SADDLE BRACKET 40' RH	1		
8	28H3381	BUSHING, CLASS D	2		
9	W38051	PIN FASTENER, PIN	1		
10	W25634	GRIP	1		

**Reel Drive, Center**

XG298896

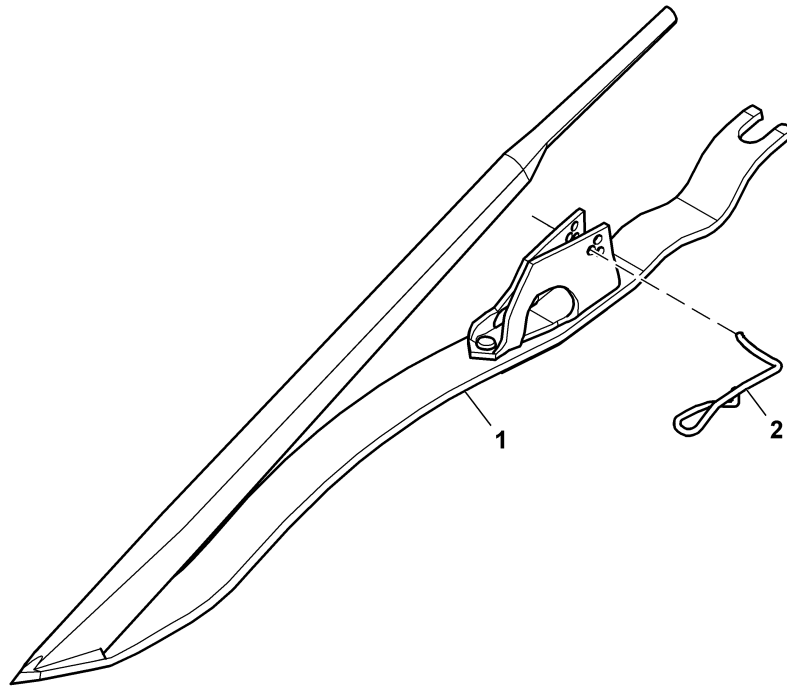


XG298896

Pos.	Artikel-Nr.	Benennung	Menge	Serial	No.
1	11M7015	PIN, COTTER	1		
2	14H732	NUT, HEX JAM	2		
3	19H1875	SCREW, HEX HEAD	1		
4	19H2020	SCREW, HEX HEAD	2		
5	22H836	SCREW, SET, SQUARE HEAD	2		
6	24H1509	WASHER, METALLIC, ROUND HOLE	1		
7	24H1929	WASHER, METALLIC, ROUND HOLE	2		
8	26H46	KEY, WOODRUFF	1		
9	28H3381	BUSHING, CLASS D	2		
10	37M7058	SCREW, SLFTP, METRIC THD, HEX WSHR	6		
11	H130269	SPACER, SPACER	1		
12	H228673	GEAR, REEL DRIVE, 21T	1		
13	H228674	GEAR, REEL DRIVE, 85T	1		
14	H233627	SHIELD, REEL DRIVE, CENTER, UPPER	1		
15	HXE20259	SHIELD, REEL DRIVE, CENTER, LOWER	1		
16	12M7065	LOCK WASHER	3		
17	H129438	TONE WHEEL, PLATE-TONE WHEEL	1		
18	H162672	PAD - REEL SLIDE	3		
19	W38051	PIN FASTENER, PIN	1		
20	AXE66813	SADDLE, CENTER REEL SADDLE BRACKET	1		
21	H227799	SHEET, GUSSET, AIR 600 BPU	1		
22	H174842	BUSHING, PU REELS	2		
23	JD7759	FITTING, LUBRICATION, STRAIGHT	1		

**Crop Lifter**

XG298899

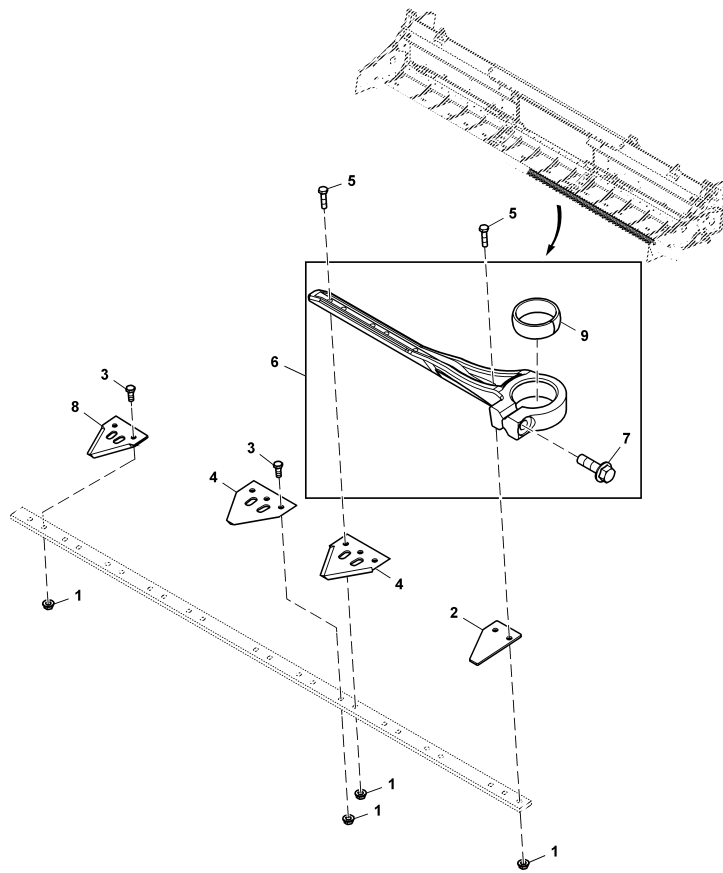


XG298899

Pos.	Artikel-Nr.	Benennung	Menge	Serial	No.
1	AXE23480	CROP LIFTER, CROP LIFTER ASK 1000 J	39		
2	Z41246	CLIP LIFTER RETAINER	39		

**Cutterbar Head Section, LH**

XG298900

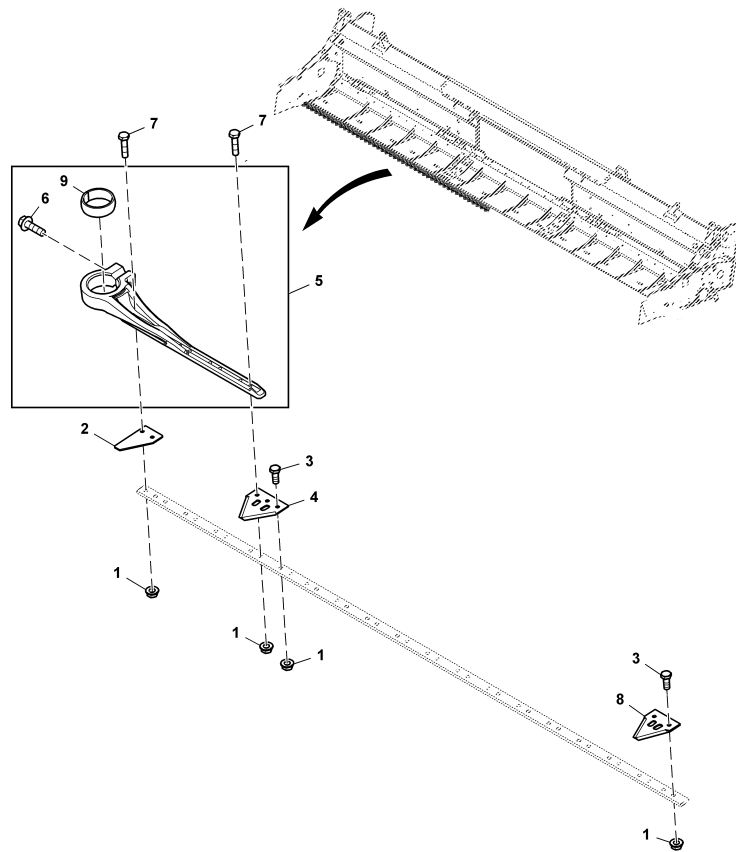


XG298900

Pos.	Artikel-Nr.	Benennung	Menge	Serial	No.
1	14M7303	NUT, METRIC, HEX FLANGE	140		
2	H202522	SECTION, HALF SECTION - EUROPEAN 3	1		
3	H207542	BOLT, M6 X 16	131		
4	Z93078	SECTION, SECTION	68		
5	19M7933	SCREW, HEX HEAD, METRIC	9		
6	AXE37160	KNIFEHEAD, OFFSET, ASSY, WITH BUSHI	1		
7	19M7791	SCREW, FLANGED, METRIC	1		
8	HXE66317	SECTION, SECTION 2.5"	1		
9	H157812	RING, KNIFEHEAD	1		

**Cutterbar Head Section, RH**

XG298901

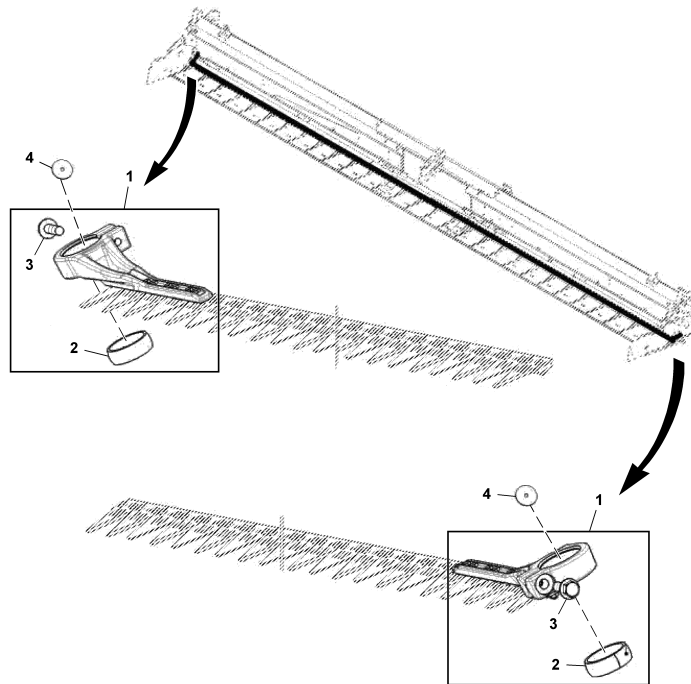


XG298901

Pos.	Artikel-Nr.	Benennung	Menge	Serial	No.
1	14M7303	NUT, METRIC, HEX FLANGE	142		
2	H202522	SECTION, HALF SECTION - EUROPEAN 3	1		
3	H207542	BOLT, M6 X 16	133		
4	Z93078	SECTION, SECTION	69		
5	AXE37160	KNIFEHEAD, OFFSET, ASSY, WITH BUSHI	1		
6	19M7791	SCREW, FLANGED, METRIC	1		
7	19M7933	SCREW, HEX HEAD, METRIC	9		
8	HXE66317	SECTION, SECTION 2.5"	1		
9	H157812	RING, KNIFEHEAD	1		

**Cutterbar Head Section, Rear**

XG304271

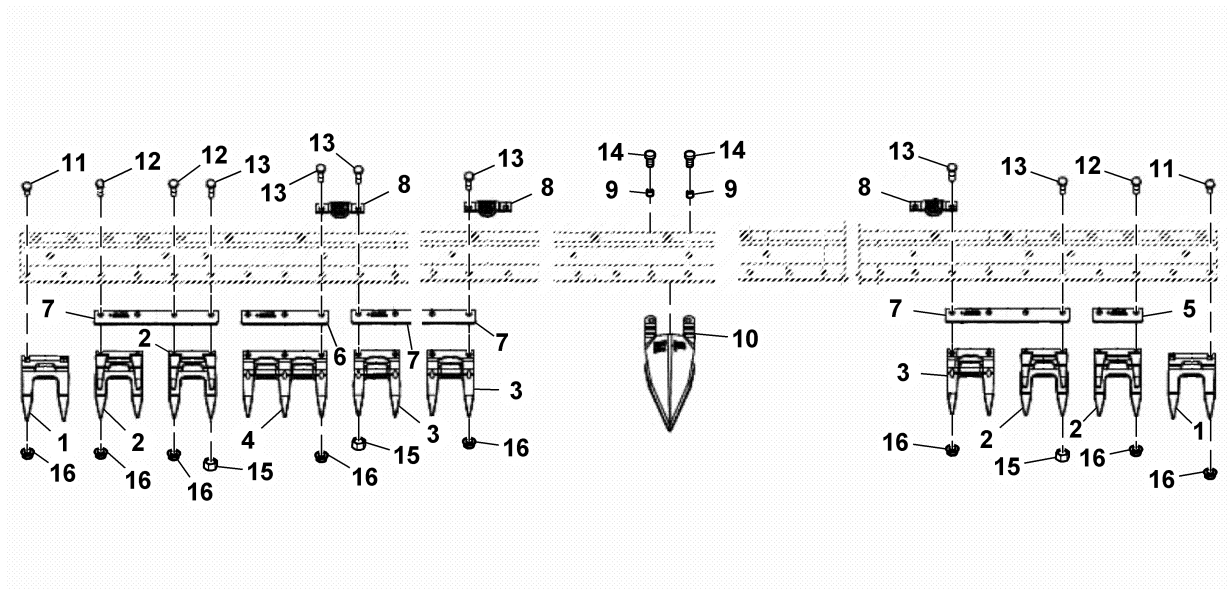


XG304271

Pos.	Artikel-Nr.	Benennung	Menge	Serial	No.
1	AXE37160	KNIFEHEAD, OFFSET, ASSY, WITH BUSHI	2		
2	H157812	RING, KNIFEHEAD	2		
3	19M7791	SCREW, FLANGED, METRIC	2		
4	50430	WASHER, 75X12X4	2		

**Cutterbar Head Section Kit**

XG304867

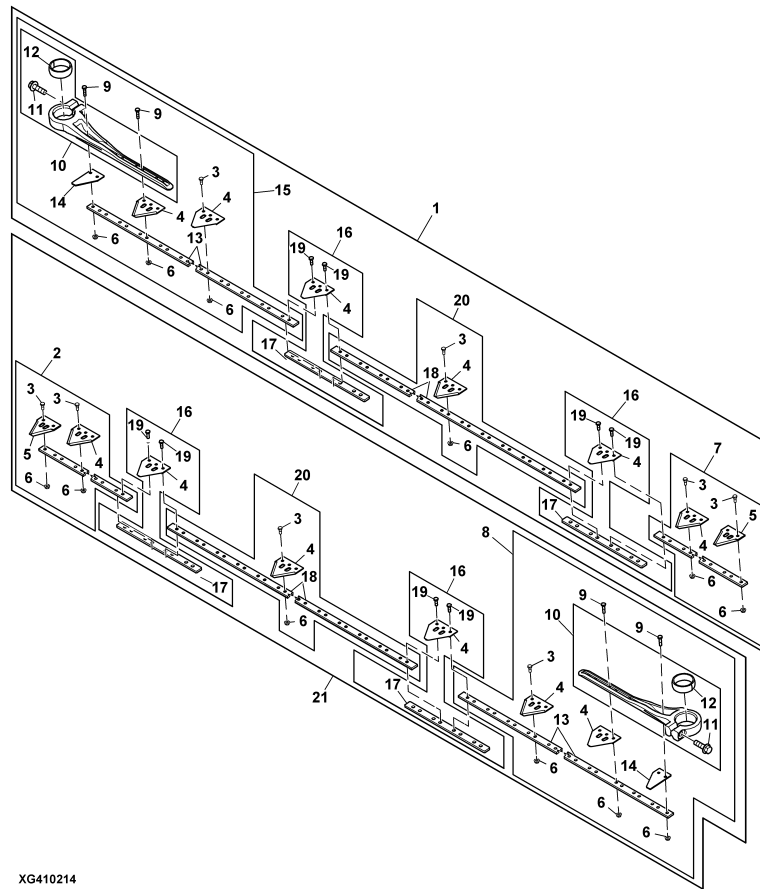


XG304867

Pos.	Artikel-Nr.	Benennung	Menge	Serial	No.
1	AH168910	LH OPEN TOP (R2) KNIFE GUARD	2		
2	AXE39009	KNIFE GUARD, HIGH FINGER BACK	4		
3	AXE37174	KNIFE GUARD, DOUBLE GUARD	73		
4	AXE37175	KNIFE GUARD, GUARD ASSY-TRIPLE KNIF	1		
5	53833	SPACER 2-HOLE	1		
6	53834	SPACER 3-HOLE	1		
7	51212	PLATE, GUIDING	38		
8	51215	GUIDE, ROLLER	18		
9	HXE63647	BUSHING, BUSHING- SHOE 40 FEET	2		
10	HXE63668	SHOE, SHOE	1		
11	19M7167	SCREW, HEX HEAD, METRIC	4		
12	19M7382	SCREW, HEX HEAD, METRIC	110		
13	19M7180	SCREW, HEX HEAD, METRIC	45		
14	19M7181	SCREW, HEX HEAD, METRIC	2		
15	Z47492	NUT SPOOL, M10	38		
16	14M7296	NUT, METRIC, HEX FLANGE	123		

**Cutterbar Head Section Kit**

XG410214

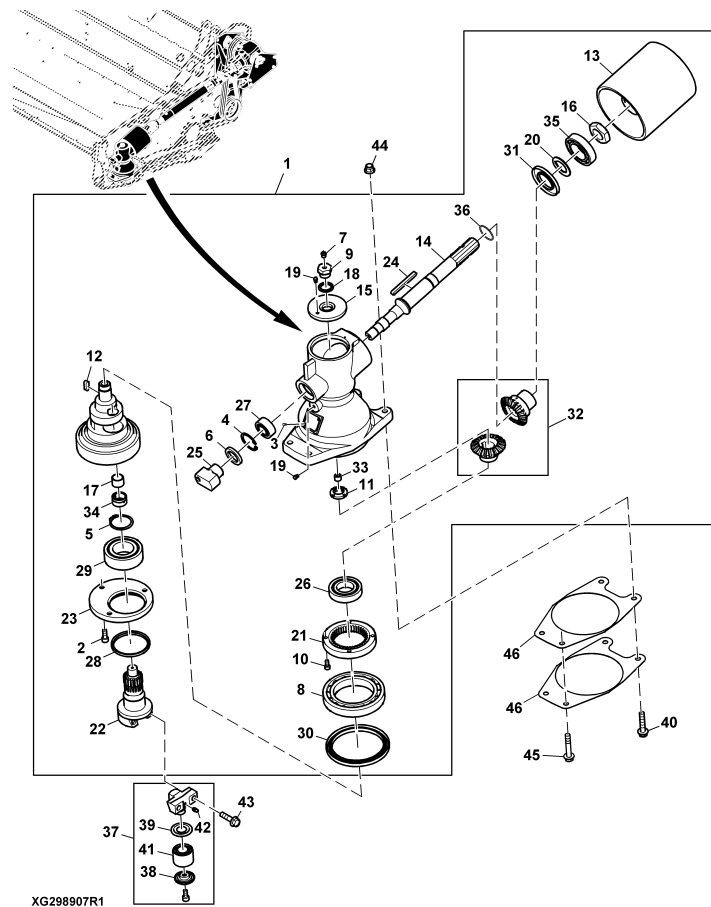


XG410214

Pos.	Artikel-Nr.	Benennung	Menge	Serial	No.
1	52506	KNIFE RH	1		
2	54353	KNIFE	1		
3	H207542	BOLT, M6 X 16	272		
4	Z93077	SECTION, SECTION	157		
5	HXE66317	SECTION, SECTION 2.5"	2		
6	14M7303	NUT, METRIC, HEX FLANGE	290		
7	54354	KNIFE CONNECTING KIT	1		
8	54347	KNIFE	1		
9	19M7933	SCREW, HEX HEAD, METRIC	18		
10	AXE37160	KNIFEHEAD, OFFSET, ASSY, WITH BUSHI	2		
11	19M7791	SCREW, FLANGED, METRIC	2		
12	H157812	RING, KNIFEHEAD	2		
13	H174778	KNIFE BACK 30FT (3")	2		
14	H202522	SECTION, HALF SECTION - EUROPEAN 3	2		
15	54348	KNIFE	1		
16	54430	KNIFE	4		
17	AH143576	JOINT ASSY-KNIFE	4		
18	H175036	3 INCH MID KNIFE BACK (R2)	2		
19	19M8625	SCREW, HEX HEAD, METRIC	32		
20	54477	KNIFE	2		
21	52505	KNIF LH	1		

**Knife Drive, LH**

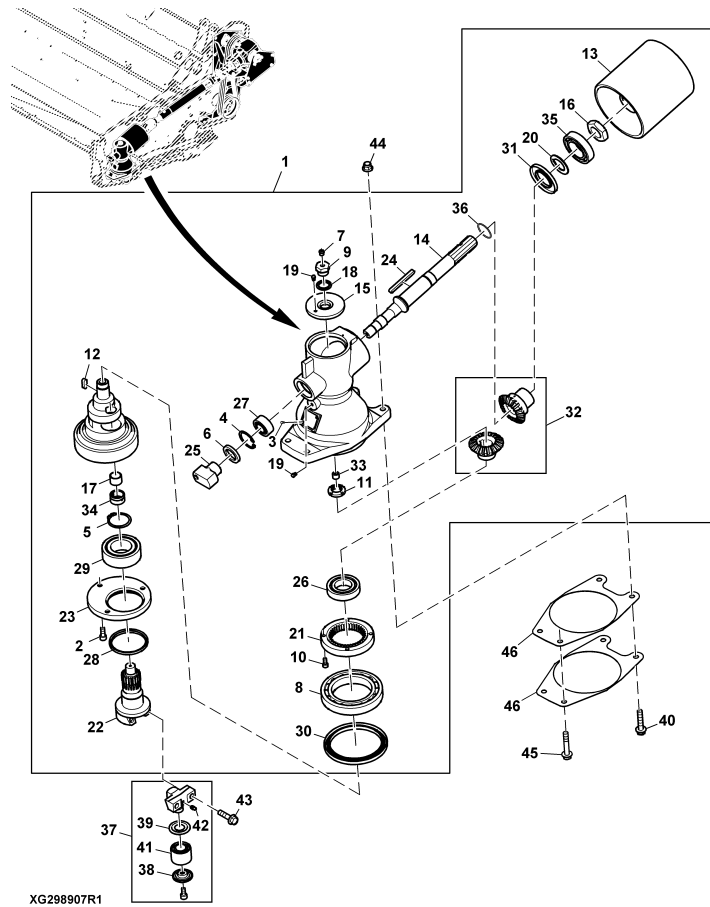
XG298907R1



Pos.	Artikel-Nr.	Benennung	Menge	Serial	No.
1	DE30794	GEAR CASE, KNIFE DRIVE GEN IV GEARB	1		
2	19M9419	SCREW, HEX SOCKET HEAD, METRIC	3		
3	25M3827	PIN, GROOVED, HEADED	2		
4	40M1865	SNAP RING	1		
5	40M7066	RING, EXTERNAL SNAP	1		
6	48M7039	SEAL, INTERNAL, OIL, DUAL LIP	1		
7	AE38448	VALVE, RELIEF	1		
8	AZ51954	BALL BEARING	1		
9	CE18307	PLUG	1		
10	CE18661	SCREW	4		
11	CE18663	RETAINER, RETAINER	1		
12	CE18665	SHAFT KEY	1		
13	CE19249	PULLEY, FLY WHEEL	1		
14	CE31916	AXLE, INPUT SHAFT	1		
15	CE19573	COVER BUSHING, PIPE	1		
16	CE19586	NUT, NUT M36 X 1,5	1		
17	CE19588	BEARING RACE, BEARING RACE LR25X30X	1		
18	CE20069	SEALING WASHER	1		
19	CE21013	PIPE PLUG	2		
20	CE21934	WASHER, KEY HOLE WASHER	1		
21	CE31609	RING GEAR, SPUR GEAR	1		
22	CE31610	GEAR, INTEGRATED PINION	1		
23	CE31613	CAP, ROTOR COVER	1		

**Knife Drive, LH**

XG298907R1

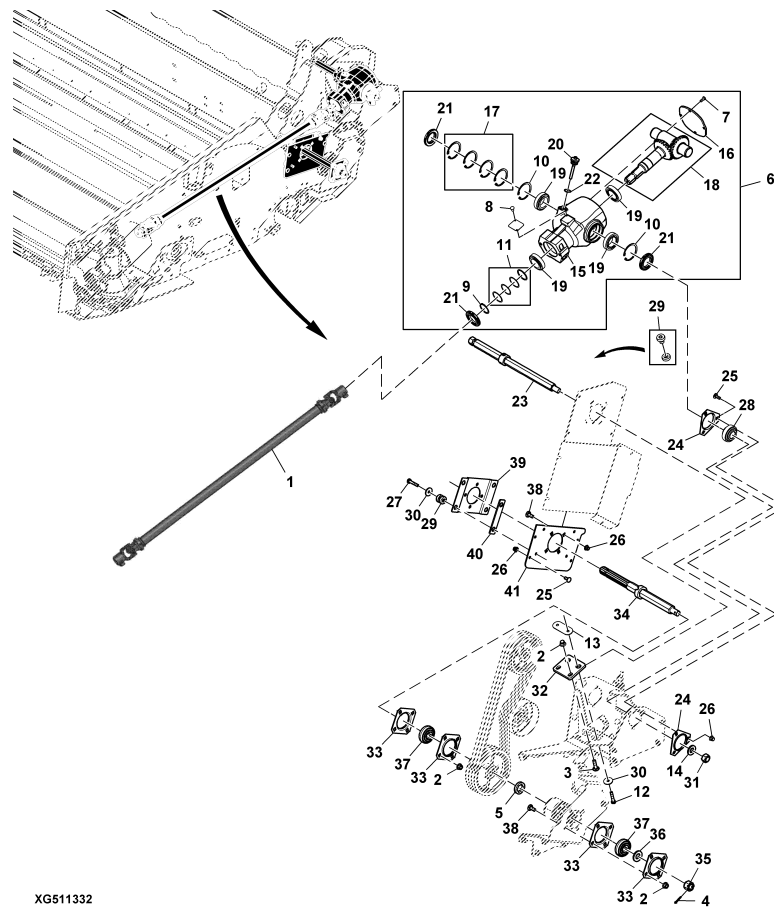


XG298907R1

Pos.	Artikel-Nr.	Benennung	Menge	Serial	No.
24	CE19587	SHAFT KEY JDS 115-A 10X8X90 DIN6885	1		
25	CE31647	CRANK, SIDEKNIFE CRANK	1		
26	DE19306	BALL BEARING 6209 2RS	1		
27	DE19311	BALL BEARING 5205	1		
28	DE19906	SEAL 90X100X8	1		
29	DE19907	BALL BEARING, BALL BEARING 32112RS	1		
30	DE30033	SEAL, OIL SEAL 135X165X10	1		
31	DE30099	SEAL, RADIAL OIL SEAL 50X90X8 AS D	1		
32	DE30587	BEVEL GEAR DRIVE, SERVICE KIT BEVEL	1		
33	H22789	PIPE PLUG	1		
34	JD38925	NADELHUELSE HK 3020	1		
35	JD9346	BEARING ,BALL	1		
36	P50635	O-RING	1		
37	DE19294	ACTUATOR	1		
38	CE18652	BEARING CAP, BEARING CAP	1		
39	CE18653	CAP, CAP	1		
40	19M7815	SCREW, FLANGED, METRIC	23		
41	DE19475	TAPERED ROLLER BEARING	1		
42	JD7797	FITTING,LUBRICATION,STRAIGHT	1		
43	19M7813	SCREW, FLANGED, METRIC	2		
44	H137329	LOCK NUT, FLANGE LOCKNUT, DEFLECTED	4		
45	19M7817	SCREW, FLANGED, METRIC	2		
46	53296	DISK, ADJUSTMENT	2		

**Knife Drive Shaft, LH ( - 021242)**

XG511332

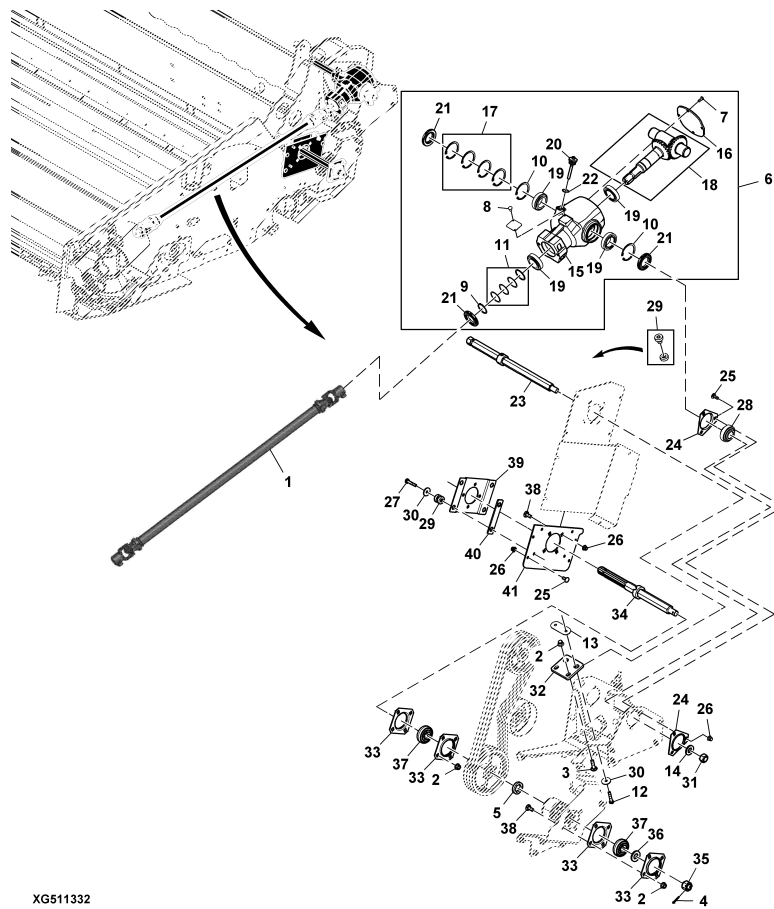


XG511332

Pos.	Artikel-Nr.	Benennung	Menge	Serial	No.
1	52555	UNIVERSAL DRIVESHAFT	1		
2	H137329	LOCK NUT, FLANGE LOCKNUT, DEFLECTED	8		
3	03M7201	BOLT, RD HD SQ SHORT NECK, METRIC	2		
4	11M7030	PIN, COTTER	1		
5	54141	SHIM	1		
6	DE30909	GEAR CASE, GEAR CASE, DRAPER 90 DEG	1		
7	19M7284	SCREW, HEX HEAD, METRIC	4		
8	25M7021	PIN, GROOVED, HEADED	2		
9	40M1837	RING, EXTERNAL SNAP	1		
10	40M5099	RING, INTERNAL SNAP	2		
11	DE20227	TUNE-UP KIT (SHIMS)	1		
12	19M7658	SCREW, HEX HEAD, METRIC	2		
13	HXE57162	PLATE, ISOLATOR REBOUND	1		
14	24M7242	WASHER, METALLIC, ROUND HOLE	1		
15	CE31812	HOUSING, HOUSING	1		
16	CE20089	COVER	1		
17	DE20228	TUNE-UP KIT (SNAP RINGS)	1		
18	DE30134	BEVEL GEAR, KIT	1		
19	DE19265	CYLINDRICAL ROLLER BEARING	4		
20	DE20107	DIPSTICK VENTED	1		
21	DE20509	SEAL	3		
22	U12547	O-RING, (-12 O-RING)	1		
23	54986	DRIVE SHAFT	1		

**Knife Drive Shaft, LH ( - 021242)**

XG511332

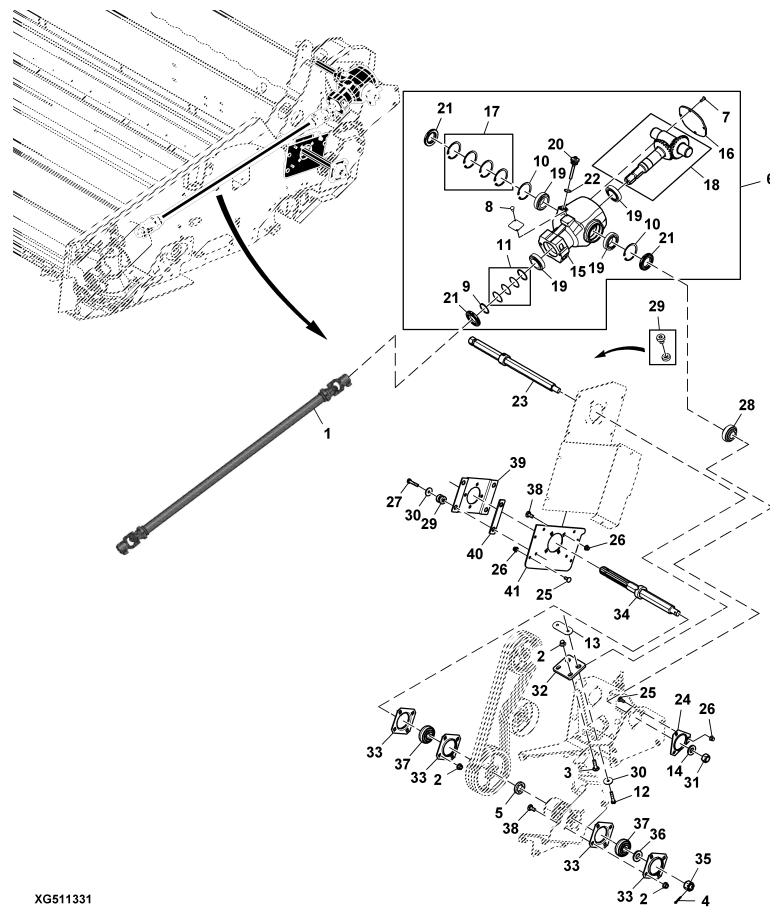


XG511332

Pos.	Artikel-Nr.	Benennung	Menge	Serial	No.
24	H103265	PRESSED FLANGED HOUSING, FLANGETTE-	4		
25	03M7195	BOLT, RD HD SQ SHORT NECK, METRIC	3		
26	14M7400	NUT, METRIC, HEX FL, SELF LOCKING	22		
27	19M7181	SCREW, HEX HEAD, METRIC	2		
28	AXE12979	BALL BEARING, WIDE HEX ID	2		
29	AXE10240	ISOLATOR, ISOLATOR, TWO-PIECE MOUNT	6		
30	MT2491	WASHER, METALLIC FLAT	12		
31	A31870	LOCKNUT, HEX DEFLECTED THREAD M20	1		
32	HXE56969	BRACKET, 90 DEGREE GEARCASE, PLATE	1		
33	E62484	PRESSED FLANGED HOUSING	4		
34	54604	SHAFT	1		
35	HXE35847	NUT, HEX SLOTTED NUT	1		
36	24M7237	WASHER, METALLIC, ROUND HOLE	1		
37	AE37204	BALL BEARING	1		
38	03M7198	BOLT, RD HD SQ SHORT NECK, METRIC	1		
39	54207	BRACKET, TRANSMISSON, SIDE WALL	1		
40	52932	SPACER	2		
41	54005	SHEET, BEARING, BOTTOM	1		

**Knife Drive Shaft, LH ( 021243 - )**

XG511331

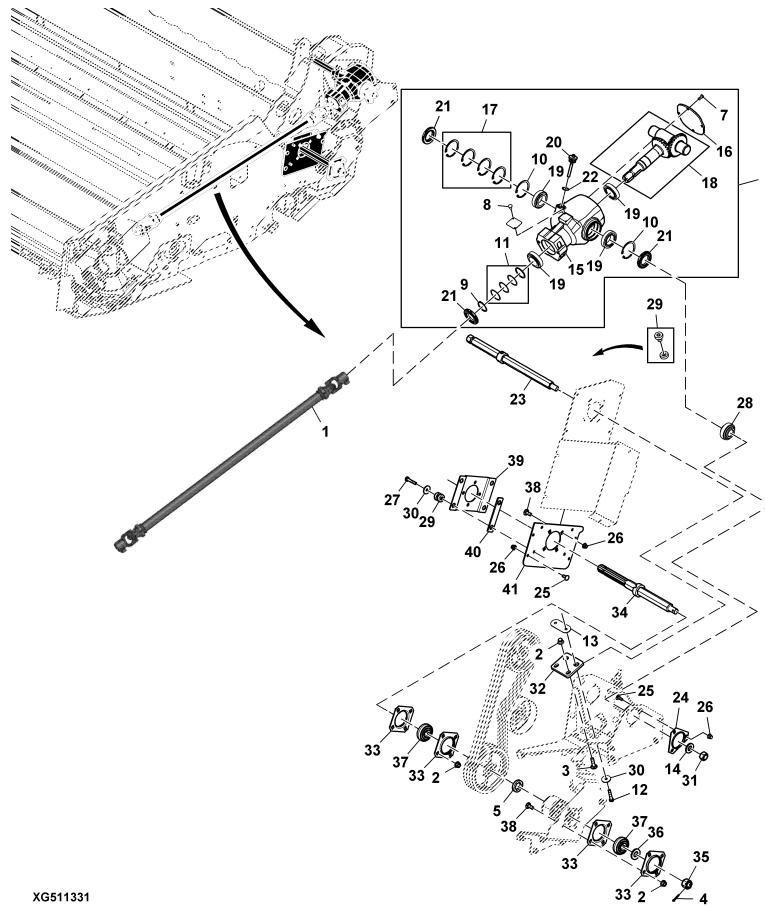


XG511331

Pos.	Artikel-Nr.	Benennung	Menge	Serial	No.
1	52555	UNIVERSAL DRIVESHAFT	1		
2	H137329	LOCK NUT, FLANGE LOCKNUT, DEFLECTED	8		
3	03M7201	BOLT, RD HD SQ SHORT NECK, METRIC	2		
4	11M7030	PIN, COTTER	1		
5	54141	SHIM	1		
6	DE30909	GEAR CASE, GEAR CASE, DRAPER 90 DEG	1		
7	19M7284	SCREW, HEX HEAD, METRIC	4		
8	25M7021	PIN, GROOVED, HEADED	2		
9	40M1837	RING, EXTERNAL SNAP	1		
10	40M5099	RING, INTERNAL SNAP	2		
11	DE20227	TUNE-UP KIT (SHIMS)	1		
12	19M7658	SCREW, HEX HEAD, METRIC	2		
13	HXE57162	PLATE, ISOLATOR REBOUND	1		
14	24M7242	WASHER, METALLIC, ROUND HOLE	1		
15	CE31812	HOUSING, HOUSING	1		
16	CE20089	COVER	1		
17	DE20228	TUNE-UP KIT (SNAP RINGS)	1		
18	DE30134	BEVEL GEAR, KIT	1		
19	DE19265	CYLINDRICAL ROLLER BEARING	4		
20	DE20107	DIPSTICK VENTED	1		
21	DE20509	SEAL	3		
22	U12547	O-RING, (-12 O-RING)	1		
23	55081	SHAFT	1		

**Knife Drive Shaft, LH ( 021243 - )**

XG511331

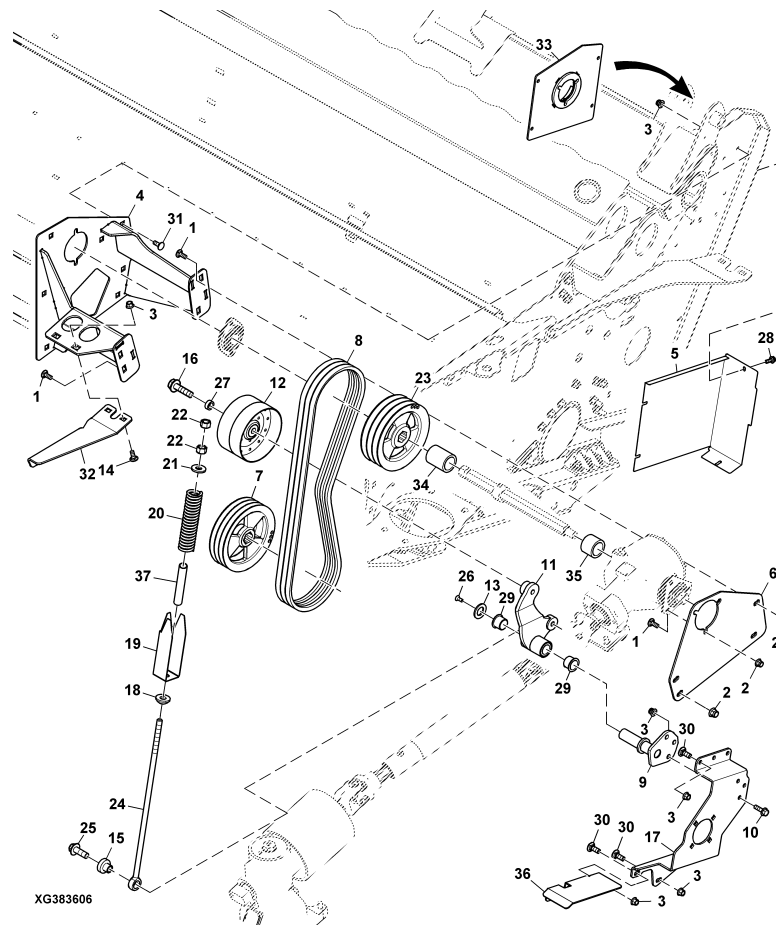


XG511331

Pos.	Artikel-Nr.	Benennung	Menge	Serial	No.
24	H103265	PRESSED FLANGED HOUSING, FLANGETTE-	2		
25	03M7191	BOLT, RD HD SQ SHORT NECK, METRIC	4		
26	14M7400	NUT, METRIC, HEX FL, SELF LOCKING	22		
27	19M7181	SCREW, HEX HEAD, METRIC	2		
28	AXE12979	BALL BEARING, WIDE HEX ID	1		
29	AXE10240	ISOLATOR, ISOLATOR, TWO-PIECE MOUNT	6		
30	MT2491	WASHER, METALLIC FLAT	12		
31	A31870	LOCKNUT, HEX DEFLECTED THREAD M20	1		
32	HXE56969	BRACKET, 90 DEGREE GEARCASE, PLATE	1		
33	E62484	PRESSED FLANGED HOUSING	4		
34	54604	SHAFT	1		
35	HXE35847	NUT, HEX SLOTTED NUT	1		
36	24M7237	WASHER, METALLIC, ROUND HOLE	1		
37	AE37204	BALL BEARING	1		
38	03M7198	BOLT, RD HD SQ SHORT NECK, METRIC	1		
39	54207	BRACKET, TRANSMISSON, SIDE WALL	1		
40	52932	SPACER	2		
41	54005	SHEET, BEARING, BOTTOM	1		

**Cutterbar Drive, LH ( - 021242)**

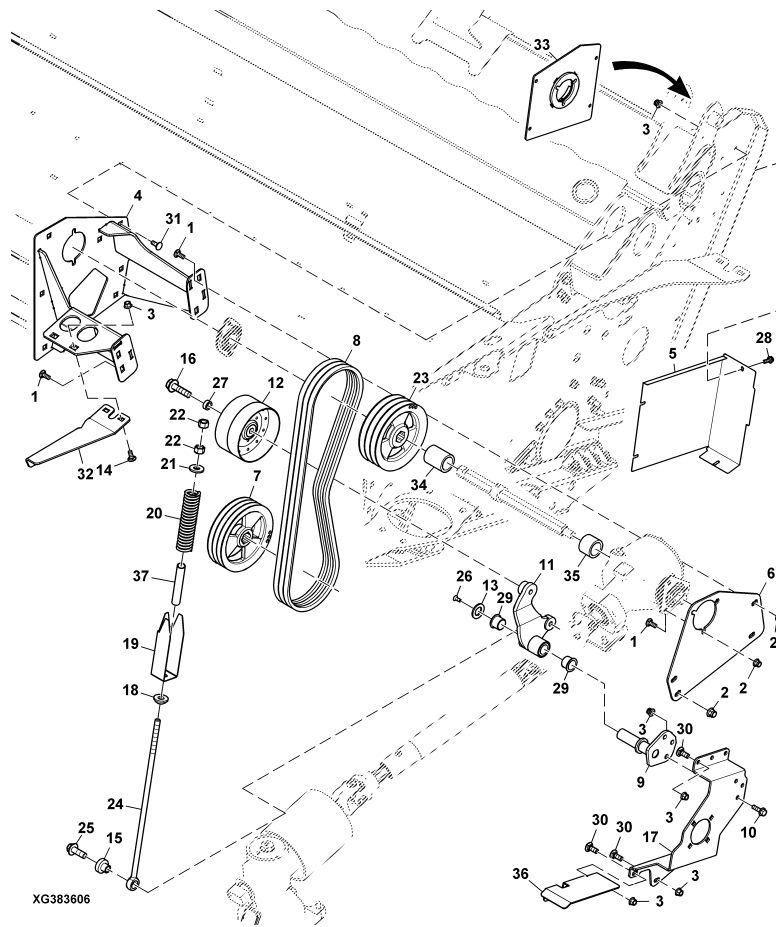
XG383606



Pos.	Artikel-Nr.	Benennung	Menge	Serial	No.
1	03M7191	BOLT, RD HD SQ SHORT NECK, METRIC	3		
2	14M7400	NUT, METRIC, HEX FL, SELF LOCKING	4		
3	H137329	LOCK NUT, FLANGE LOCKNUT, DEFLECTED	28		
4	54074	BRACKET, TRANSMISSION, LEFT	1		
5	54006	GUARD, BELT DRIVE	1		
6	HXE96192	PLATE, GEARBOX END	1		
7	HXE78129	PULLEY, 3HB, OFFSET, 35.31 BORE, 20	1		
8	AXE37950	BELT SET, 1805 EL WRAPPED EDGE	1		
9	54149	BRACKET, BELT TENSIONER	1		
10	19M7789	SCREW, FLANGED, METRIC	12		
11	54144	LEVER, IDLER	1		
12	AZ45472	IDLER	1		
13	54151	WASHER, STOP, BELT TENSIONER	1		
14	03M7201	BOLT, RD HD SQ SHORT NECK, METRIC	1		
15	H204591	BUSHING,TENSIONER PIVOT	1		
16	19M7827	SCREW, FLANGED, METRIC	1		
17	54007	BRACKET, BUSHING, DRIVE SHAFT	1		
18	H178088	WASHER - WASHER BEVEL(SPECIAL)	1		
19	HXE72227	GAUGE, SPRING, 180.9 WORKING LENGTH	1		
20	H94510	SPRING-OUTER COMPRESSION	1		
21	24H1373	WASHER, METALLIC, ROUND HOLE	1		
22	14M7276	NUT, METRIC, HEX	2		
23	HXE62438	PULLEY, 3HB OFFSET, 28.88 BORE, 203	1		

**Cutterbar Drive, LH ( - 021242)**

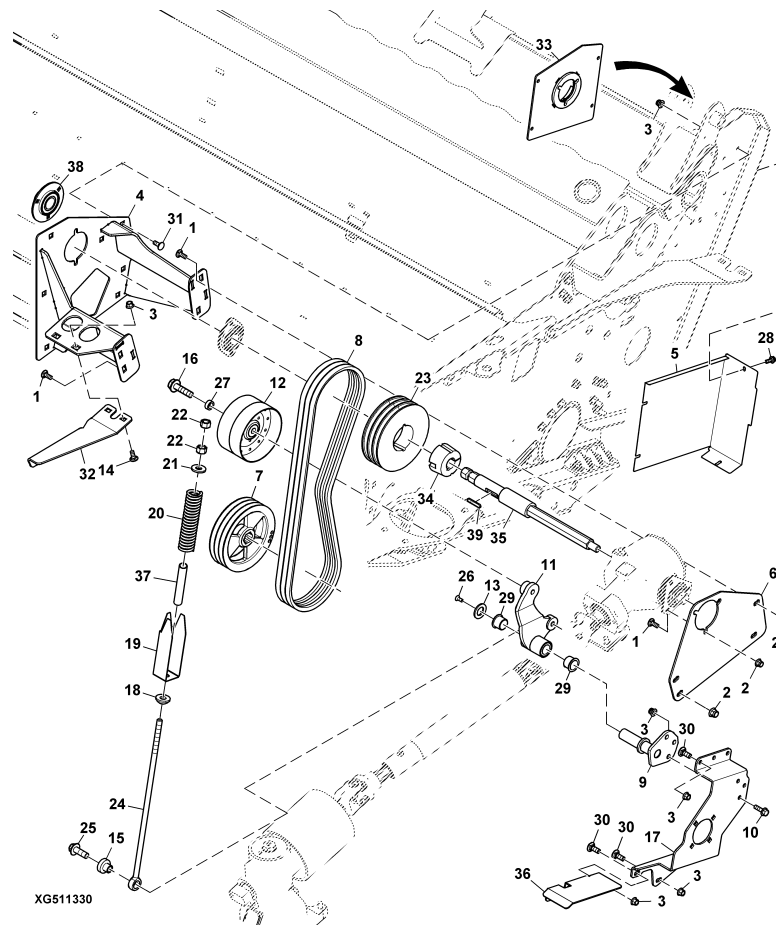
XG383606



Pos.	Artikel-Nr.	Benennung	Menge	Serial	No.
24	H204589	EYEBOLT, IDLER SPRING	1		
25	19M7824	SCREW, FLANGED, METRIC	1		
26	70034	DIN7991 HEXAGON SOCKET SCREW M8 X 2	1		
27	T215678	BUSHING	1		
28	19M7866	SCREW, FLANGED, METRIC	2		
29	093142	BUSHING	2		
30	HXE90799	BOLT, BOLT RNDHD SN M12X1.75X30 - 1	5		
31	03M7197	BOLT, RD HD SQ SHORT NECK, METRIC	9		
32	54164	SHEET, TRANSMISSION, LEFT	1		
33	54137	SHEET, BEARING, TOP	1		
34	54140	BUSHING	1		
35	54139	BUSHING	1		
36	53258	GUARD, CHAIN	1		
37	54706	DISTANCE TUBE	1		

**Cutterbar Drive, LH ( 021243 - )**

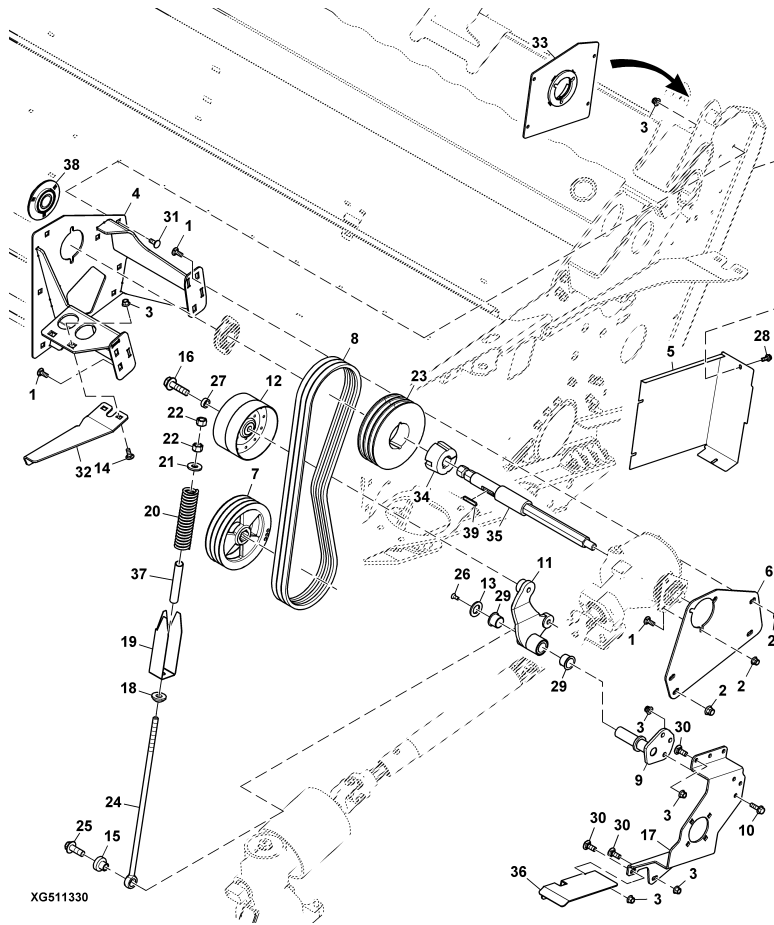
XG511330



Pos.	Artikel-Nr.	Benennung	Menge	Serial	No.
1	03M7191	BOLT, RD HD SQ SHORT NECK, METRIC	3		
2	14M7400	NUT, METRIC, HEX FL, SELF LOCKING	4		
3	H137329	LOCK NUT, FLANGE LOCKNUT, DEFLECTED	28		
4	54074	BRACKET, TRANSMISSION, LEFT	1		
5	54006	GUARD, BELT DRIVE	1		
6	HXE96192	PLATE, GEARBOX END	1		
7	HXE78129	PULLEY, 3HB, OFFSET, 35.31 BORE, 20	1		
8	AXE37950	BELT SET, 1805 EL WRAPPED EDGE	1		
9	54149	BRACKET, BELT TENSIONER	1		
10	19M7789	SCREW, FLANGED, METRIC	12		
11	54144	LEVER, IDLER	1		
12	AZ45472	IDLER	1		
13	54151	WASHER, STOP, BELT TENSIONER	1		
14	03M7201	BOLT, RD HD SQ SHORT NECK, METRIC	1		
15	H204591	BUSHING,TENSIONER PIVOT	1		
16	19M7827	SCREW, FLANGED, METRIC	1		
17	54007	BRACKET, BUSHING, DRIVE SHAFT	1		
18	H178088	WASHER - WASHER BEVEL(SPECIAL)	1		
19	HXE72227	GAUGE, SPRING, 180.9 WORKING LENGTH	1		
20	H94510	SPRING-OUTER COMPRESSION	1		
21	24H1373	WASHER, METALLIC, ROUND HOLE	1		
22	14M7276	NUT, METRIC, HEX	2		
23	097467	PULLEY	1		

**Cutterbar Drive, LH ( 021243 - )**

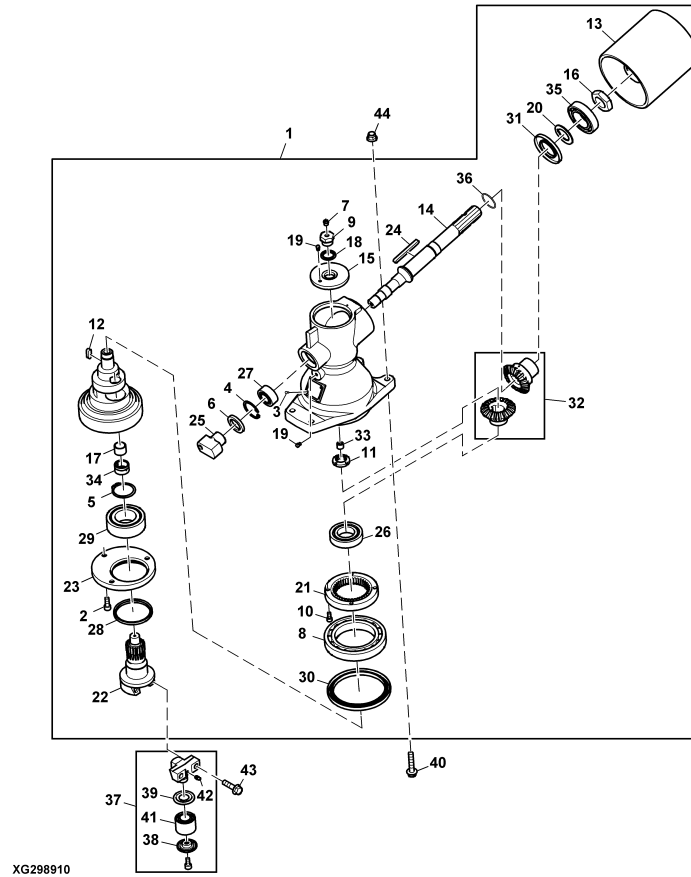
XG511330



Pos.	Artikel-Nr.	Benennung	Menge	Serial	No.
24	H204589	EYEBOLT, IDLER SPRING	1		
25	19M7824	SCREW, FLANGED, METRIC	1		
26	70034	DIN7991 HEXAGON SOCKET SCREW M8 X 2	1		
27	T215678	BUSHING	1		
28	19M7866	SCREW, FLANGED, METRIC	2		
29	093142	BUSHING	2		
30	HXE90799	BOLT, BOLT RNDHD SN M12X1.75X30 - 1	5		
31	03M7197	BOLT, RD HD SQ SHORT NECK, METRIC	9		
32	54164	SHEET, TRANSMISSION, LEFT	1		
33	54137	SHEET, BEARING, TOP	1		
34	097468	BUSHING	1		
35	55081	SHAFT	1		
36	53258	GUARD, CHAIN	1		
37	54706	DISTANCE TUBE	1		
38	60455	BEARING, KIT	1		
39	70266	PARALLEL KEY	1		

**Knife Drive, RH**

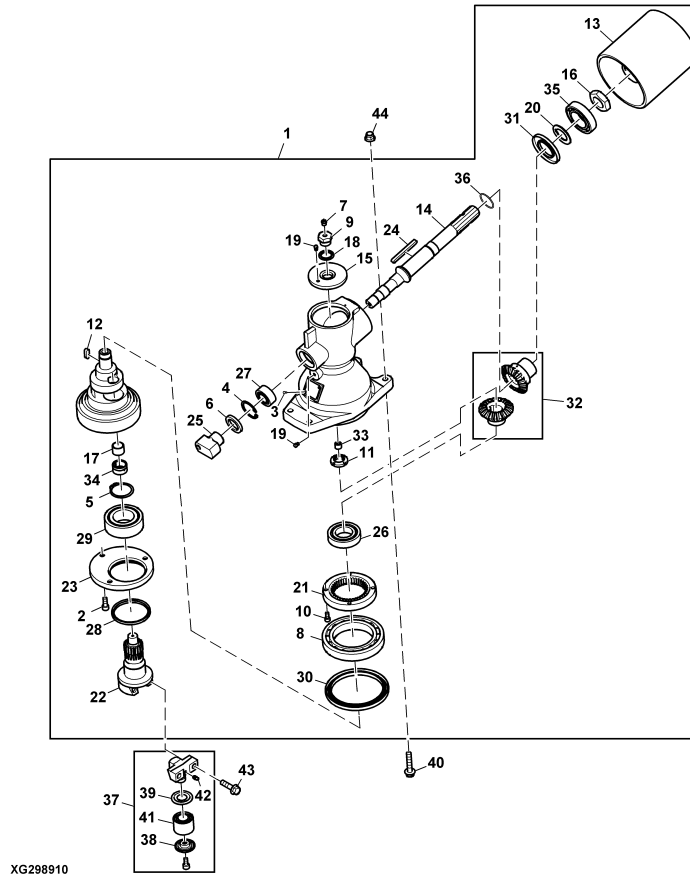
XG298910



Pos.	Artikel-Nr.	Benennung	Menge	Serial	No.
1	DE30794	GEAR CASE, KNIFE DRIVE GEN IV GEARB	1		
2	19M9419	SCREW, HEX SOCKET HEAD, METRIC	3		
3	25M3827	PIN, GROOVED, HEADED	2		
4	40M1865	SNAP RING	1		
5	40M7066	RING, EXTERNAL SNAP	1		
6	48M7039	SEAL, INTERNAL, OIL, DUAL LIP	1		
7	AE38448	VALVE, RELIEF	1		
8	AZ51954	BALL BEARING	1		
9	CE18307	PLUG	1		
10	CE18661	SCREW	4		
11	CE18663	RETAINER, RETAINER	1		
12	CE18665	SHAFT KEY	1		
13	CE19249	PULLEY, FLY WHEEL	1		
14	CE31916	AXLE, INPUT SHAFT	1		
15	CE19573	COVER BUSHING, PIPE	1		
16	CE19586	NUT, NUT M36 X 1,5	1		
17	CE19588	BEARING RACE, BEARING RACE LR25X30X	1		
18	CE20069	SEALING WASHER	1		
19	CE21013	PIPE PLUG	2		
20	CE21934	WASHER, KEY HOLE WASHER	1		
21	CE31609	RING GEAR, SPUR GEAR	1		
22	CE31610	GEAR, INTEGRATED PINION	1		
23	CE31613	CAP, ROTOR COVER	1		

**Knife Drive, RH**

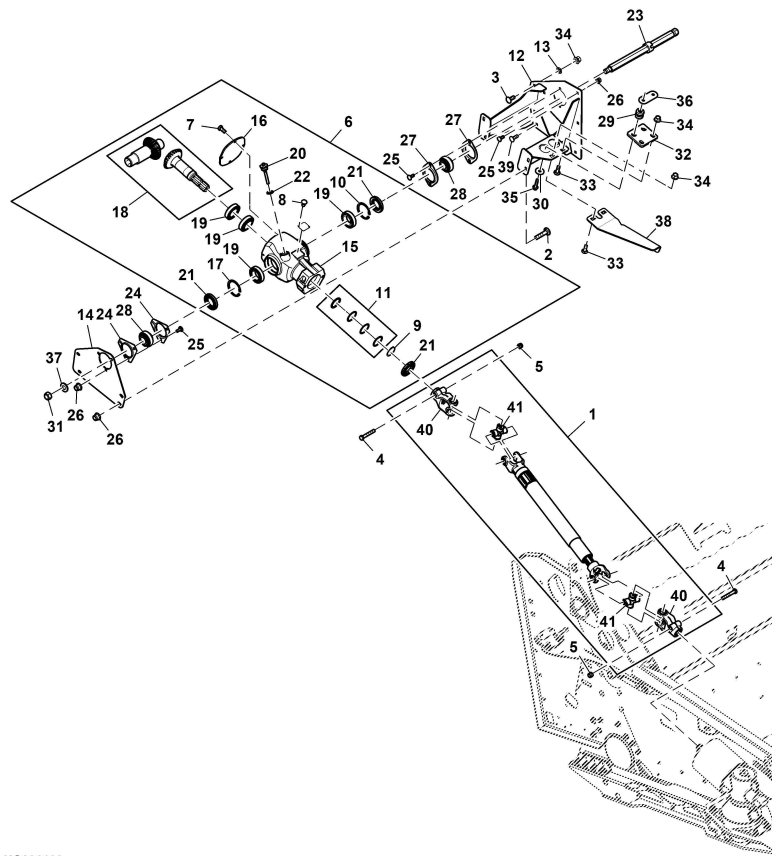
XG298910



Pos.	Artikel-Nr.	Benennung	Menge	Serial	No.
24	CE19587	SHAFT KEY JDS 115-A 10X8X90 DIN6885	1		
25	CE31647	CRANK, SIDEKNIFE CRANK	1		
26	DE19306	BALL BEARING 6209 2RS	1		
27	DE19311	BALL BEARING 5205	1		
28	DE19906	SEAL 90X100X8	1		
29	DE19907	BALL BEARING, BALL BEARING 32112RS	1		
30	DE30033	SEAL, OIL SEAL 135X165X10	1		
31	DE30099	SEAL, RADIAL OIL SEAL 50X90X8 AS D	1		
32	DE30587	BEVEL GEAR DRIVE, SERVICE KIT BEVEL	1		
33	H22789	PIPE PLUG	1		
34	JD38925	NADELHUELSE HK 3020	1		
35	JD9346	BEARING ,BALL	1		
36	P50635	O-RING	1		
37	DE19294	ACTUATOR	1		
38	CE18652	BEARING CAP, BEARING CAP	1		
39	CE18653	CAP, CAP	1		
40	19M7815	SCREW, FLANGED, METRIC	4		
41	DE19475	TAPERED ROLLER BEARING	1		
42	JD7797	FITTING,LUBRICATION,STRAIGHT	1		
43	19M7813	SCREW, FLANGED, METRIC	2		
44	H137329	LOCK NUT, FLANGE LOCKNUT, DEFLECTED	4		

**Knife Drive Shaft, RH**

XG396100

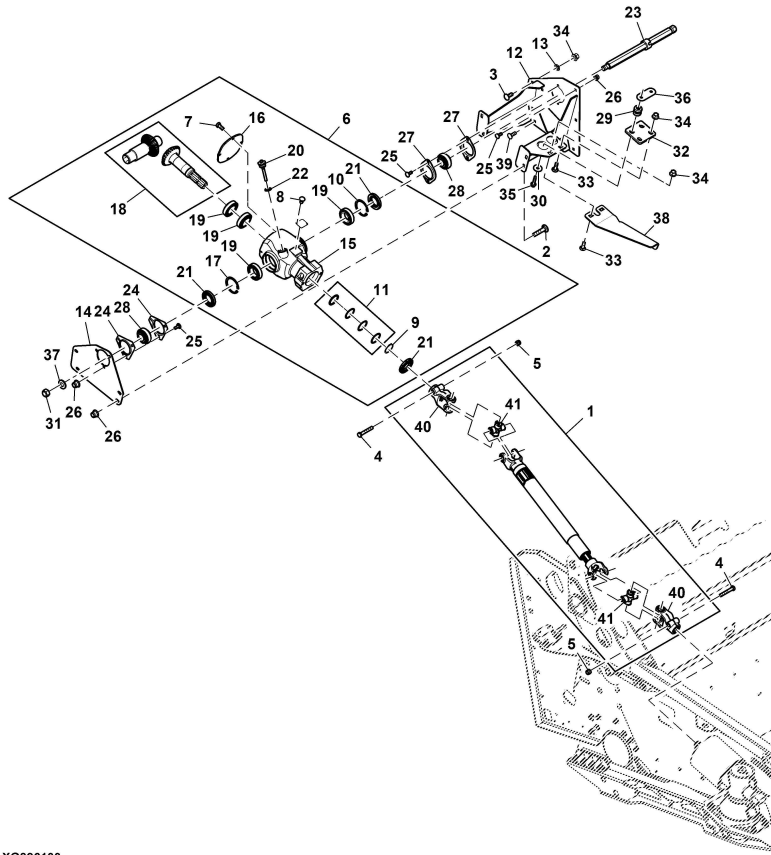


XG396100

Pos.	Artikel-Nr.	Benennung	Menge	Serial	No.
1	52555	UNIVERSAL DRIVESHAFT	1		
2	03M7195	BOLT, RD HD SQ SHORT NECK, METRIC	1		
3	03M7198	BOLT, RD HD SQ SHORT NECK, METRIC	9		
4	19M7753	SCREW, HEX HEAD, METRIC	2		
5	14M7313	NUT, METRIC, HEX PREVAILING TORQUE	2		
6	DE30909	GEAR CASE, GEAR CASE, DRAPER 90 DEG	1		
7	19M7284	SCREW, HEX HEAD, METRIC	4		
8	25M7021	PIN, GROOVED, HEADED	2		
9	40M1837	RING, EXTERNAL SNAP	1		
10	40M5099	RING, INTERNAL SNAP	1		
11	DE20227	TUNE-UP KIT (SHIMS)	1		
12	54085	BRACKET, TRANSMISSION, RIGHT	1		
13	H143731	PUSH NUT, M12	9		
14	HXE96192	PLATE, GEARBOX END	1		
15	CE31812	HOUSING, HOUSING	1		
16	CE20089	COVER	1		
17	CE20097	SNAP RING INTERNAL / M75- BORE DIA	1		
18	DE30133	BEVEL GEAR, KIT	1		
19	DE19265	CYLINDRICAL ROLLER BEARING	4		
20	DE20107	DIPSTICK VENTED	1		
21	DE20509	SEAL	3		
22	U12547	O-RING, (-12 O-RING)	1		
23	54314	DRIVE SHAFT, T-TRANSMISSION	1		

**Knife Drive Shaft, RH**

XG396100

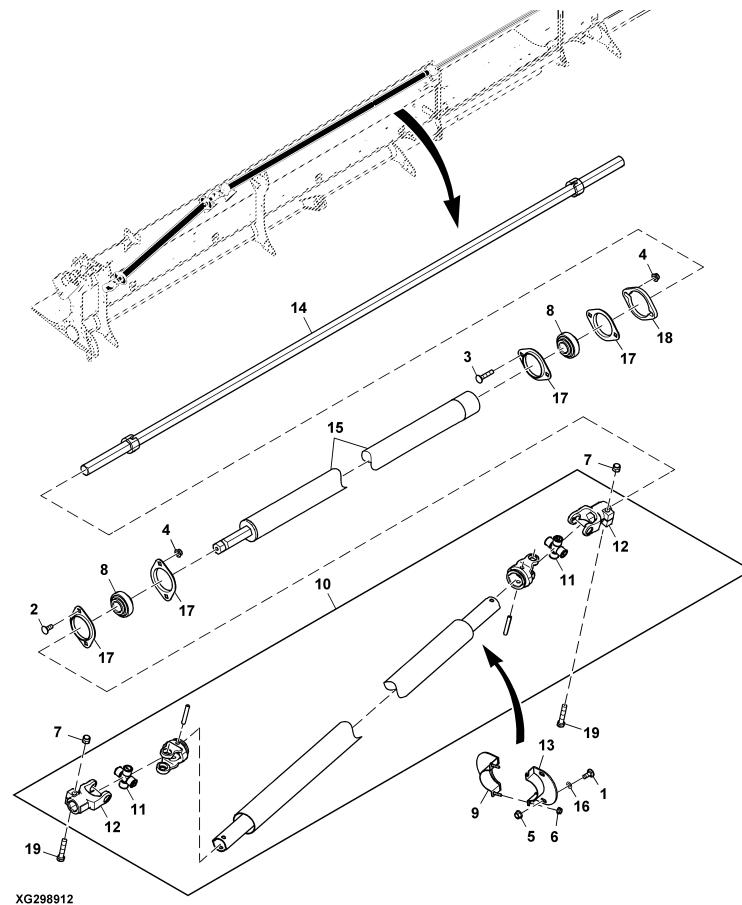


XG396100

Pos.	Artikel-Nr.	Benennung	Menge	Serial	No.
24	H103265	PRESSED FLANGED HOUSING, FLANGETTE-	2		
25	03M7191	BOLT, RD HD SQ SHORT NECK, METRIC	8		
26	14M7400	NUT, METRIC, HEX FL, SELF LOCKING	9		
27	H76961	PRESSED FLANGED HOUSING, FLANGE-BEA	2		
28	AXE12979	BALL BEARING, WIDE HEX ID	2		
29	AXE10240	ISOLATOR, ISOLATOR, TWO-PIECE MOUNT	2		
30	MT2491	WASHER, METALLIC FLAT	2		
31	A31870	LOCKNUT, HEX DEFLECTED THREAD M20	1		
32	HXE56969	BRACKET, 90 DEGREE GEARCASE, PLATE	1		
33	03M7200	BOLT, RD HD SQ SHORT NECK, METRIC	2		
34	14M7401	NUT, METRIC, HEX FL, SELF LOCKING	2		
35	19M7658	SCREW, HEX HEAD, METRIC	2		
36	HXE57162	PLATE, ISOLATOR REBOUND	1		
37	24M7242	WASHER, METALLIC, ROUND HOLE	1		
38	54165	PLATE	1		
39	03M7199	BOLT, RD HD SQ SHORT NECK, METRIC	4		
40	HXE74004	UNIVERSAL JOINT YOKE, ASABE 500-3 T	2		
41	AXE43113	UNIVERSAL JOINT CROSS, KNIFE DRIVE	2		

**Top Shaft**

XG298912

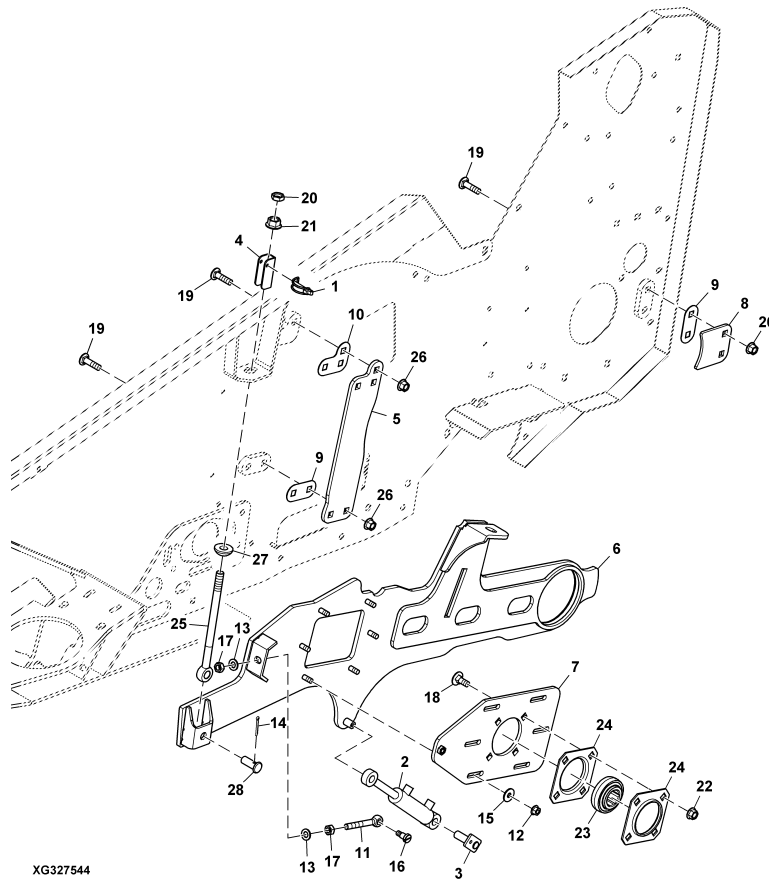


XG298912

Pos.	Artikel-Nr.	Benennung	Menge	Serial	No.
1	03M7184	BOLT, RD HD SQ SHORT NECK, METRIC	8		
2	03M7191	BOLT, RD HD SQ SHORT NECK, METRIC	4		
3	03M7196	BOLT, RD HD SQ SHORT NECK, METRIC	4		
4	14M7296	NUT, METRIC, HEX FLANGE	8		
5	14M7298	NUT, METRIC, HEX FLANGE	8		
6	14M7303	NUT, METRIC, HEX FLANGE	8		
7	14M7313	NUT, METRIC, HEX PREVAILING TORQUE	4		
8	AXE12979	BALL BEARING, WIDE HEX ID	4		
9	53825	UNIVERSAL DRIVESHAFT CLAMP COLLAR	4		
10	54547	UNIVERSAL DRIVE SHAFT	2		
11	AXE42274	UNIVERSAL JOINT CROSS, TOPSHAFT	4		
12	HXE72257	UNIVERSAL JOINT YOKE, TOPSHAFT	4		
13	53824	CLAMP COLLAR OUTSIDE, COUNTER PIECE	4		
14	AXE54507	DRIVE SHAFT, 28.58 HEX X 2074 W/COL	1		
15	AXE42208	DRIVE SHAFT, 28.58 HEX M X 28.65 HE	2		
16	M84309	NUT, PUSH-ON BOLT RETAINER	8		
17	H76961	PRESSED FLANGED HOUSING, FLANGE-BEA	8		
18	HXE68200	PLATE, CENTER SHAFT SPACER	2		
19	19M8921	SCREW, HEX HEAD, METRIC	4		

**Auger Mount, LH**

XG327544

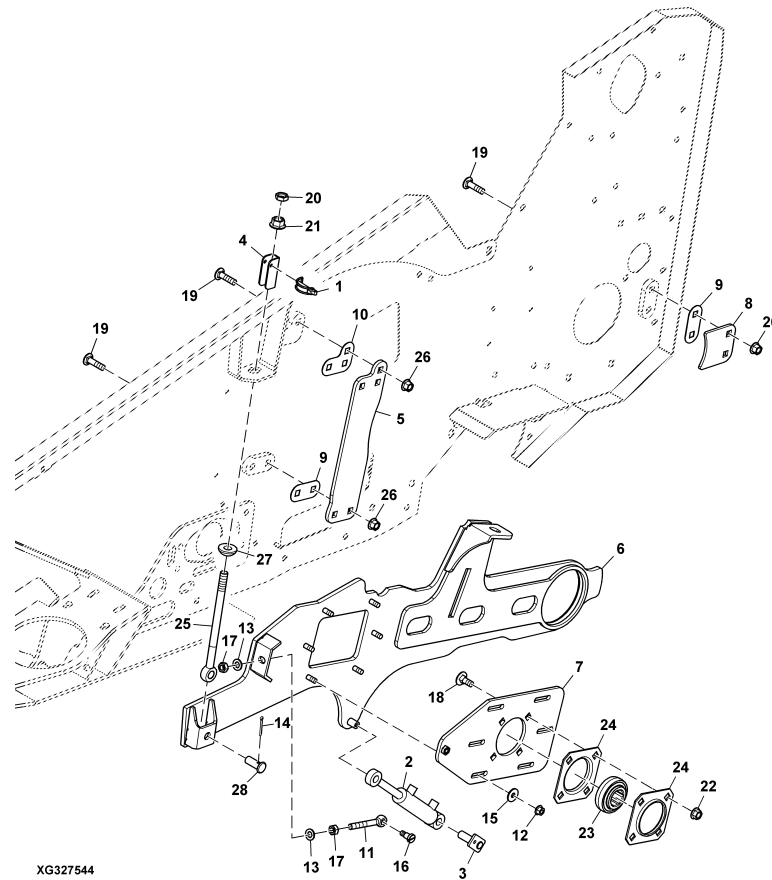


XG327544

Pos.	Artikel-Nr.	Benennung	Menge	Serial	No.
1	50371	TUBE LOCK	1		
2	50348	CYLINDER	1		
3	50353	PIN FASTENER	1		
4	50502	SAFETY SPACER 72 MM (ALL HEADERS MY	1		
5	54109	GUARD	1		
6	54115	ARM ASSEMBLY, LEFT	1		
7	54119	PLATE	1		
8	54124	PLATE, FIXING, ARM	1		
9	54125	SHIM	2		
10	54426	SHIM, GUIDANCE, ARM	1		
11	61654	SCREW, EYE	1		
12	70006	ÄHNL. DIN 6923 RATCHET TOOTHED NUT	6		
13	70076	DIN125 FLAT WASHER 13 MM, BLUE	2		
14	11M7023	PIN, COTTER	1		
15	70368	WASHER DIN9021 A10	6		
16	70871	SCREW, SHOULDER	1		
17	091664	NUT, METRIC HEX	2		
18	03M7089	BOLT, RD HD SQ LONG NECK, METRIC	4		
19	03M7201	BOLT, RD HD SQ SHORT NECK, METRIC	6		
20	14M7260	NUT, METRIC, THIN HEX	1		
21	14M7291	NUT, HEX FLANGE M16X2 JDS119 10 ZN	1		
22	14M7299	NUT, METRIC, HEX FLANGE	4		
23	AE37204	BALL BEARING	1		

**Auger Mount, LH**

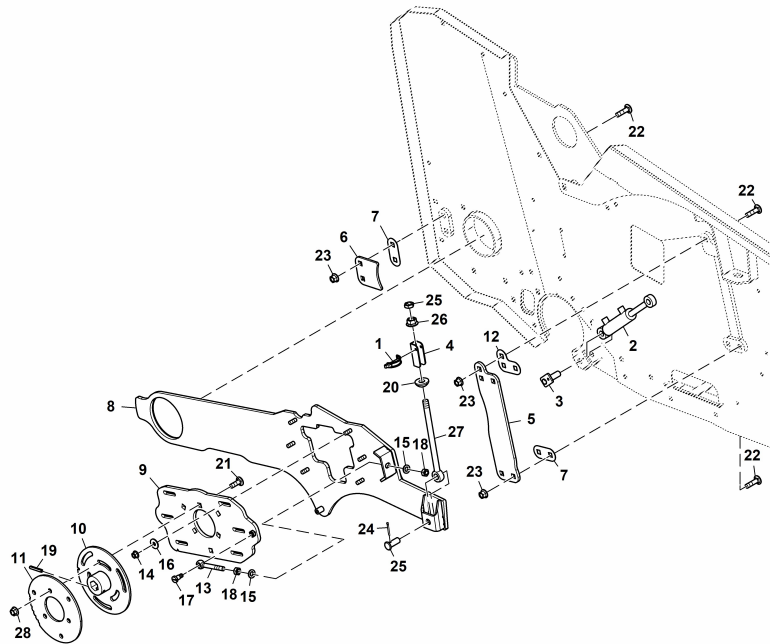
XG327544



Pos.	Artikel-Nr.	Benennung	Menge	Serial	No.
24	E62484	PRESSED FLANGED HOUSING	2		
25	H127583	EYEBOLT	1		
26	H137329	LOCK NUT, FLANGE LOCKNUT, DEFLECTED	6		
27	H178088	WASHER - WASHER BEVEL(SPECIAL)	1		
28	HXE75576	PIN FASTENER, ARM SUPPORT	1		

**Auger Mount, RH**

XG327545

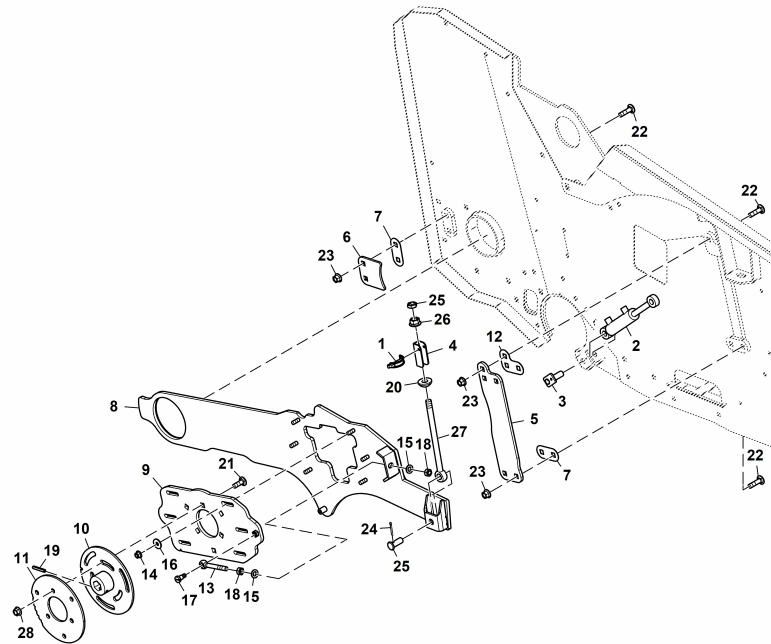


XG327545

Pos.	Artikel-Nr.	Benennung	Menge	Serial	No.
1	50371	TUBE LOCK	1		
2	50348	CYLINDER	1		
3	50353	PIN FASTENER	1		
4	50502	SAFETY SPACER 72 MM (ALL HEADERS MY	1		
5	54109	GUARD	1		
6	54124	PLATE, FIXING, ARM	1		
7	54125	SHIM	2		
8	54129	ARM ASSEMBLY, RIGHT	1		
9	54131	PLATE	1		
10	54132	SHIM, AUGER	1		
11	54949	PLATE, ADJUSTMENT	1		
12	54426	SHIM, GUIDANCE, ARM	1		
13	61654	SCREW, EYE	1		
14	70006	ÄHNL. DIN 6923 RATCHET TOOTHED NUT	6		
15	HXE75576	PIN FASTENER, ARM SUPPORT	1		
16	70368	WASHER DIN9021 A10	6		
17	70871	SCREW, SHOULDER	1		
18	091664	NUT, METRIC HEX	2		
18	14M7031	HEX NUT DIN934 M12 X 1 75 X 10	2		
19	091956	LINCH PIN	1		
19	34M7312	PIN, SPRING	1		
20	H178088	WASHER - WASHER BEVEL(SPECIAL)	1		
21	Z106092	BOLT-SPECIAL M12X40 RD HD SQ NCK	6		

**Auger Mount, RH**

XG327545

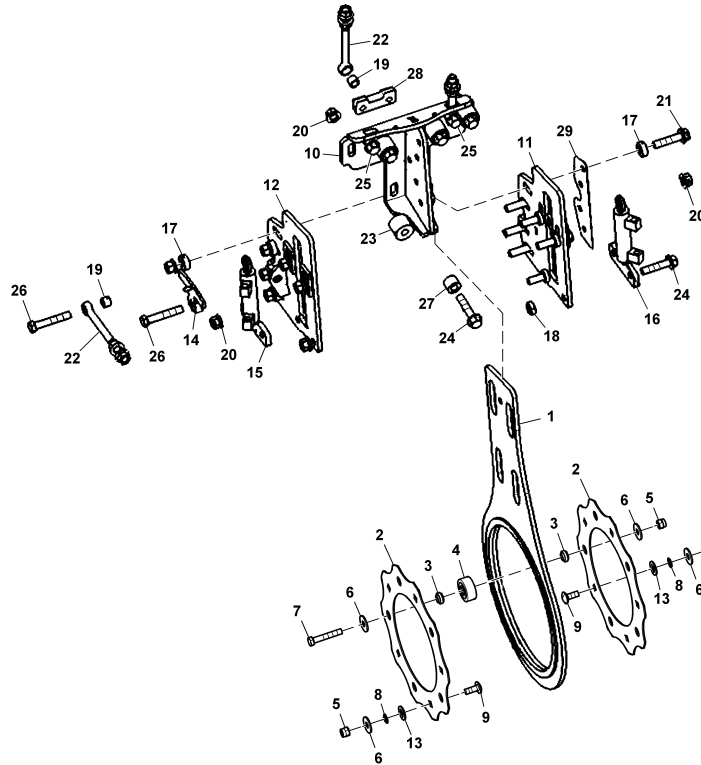


XG327545

Pos.	Artikel-Nr.	Benennung	Menge	Serial	No.
22	03M7201	BOLT, RD HD SQ SHORT NECK, METRIC	6		
23	H137329	LOCK NUT, FLANGE LOCKNUT, DEFLECTED	6		
24	11M7023	PIN, COTTER	1		
25	14M7260	NUT, METRIC, THIN HEX	1		
26	14M7291	NUT,HEX FLANGE M16X2 JDS119 10 ZN	1		
27	H127583	EYEBOLT	1		
28	14M7299	NUT, METRIC, HEX FLANGE	6		

**Auger Mount, Center**

XG410215

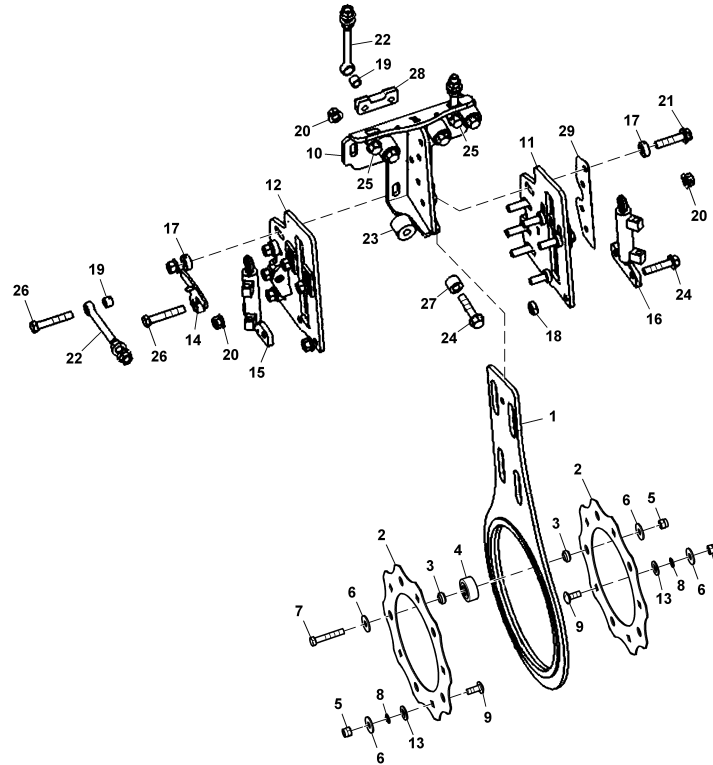


XG410215

Pos.	Artikel-Nr.	Benennung	Menge	Serial	No.
1	53609	SUPPORT, AUGER MIDDLE	1		
2	52460	PLATE SPRING, AUGER 760	2		
3	52202	SPACER	14		
4	52203	BEARING	7		
5	14M7313	NUT, METRIC, HEX PREVAILING TORQUE	21		
6	24M7180	WASHER, METALLIC, ROUND HOLE	28		
7	19M7753	SCREW, HEX HEAD, METRIC	7		
8	H143731	PUSH NUT, M12	14		
9	03M7198	BOLT, RD HD SQ SHORT NECK, METRIC	14		
10	53588	VERTICAL ADJUSTMENT	1		
11	52774	ADJUSTING PLATE RIGHT	1		
12	52773	ADJUSTING PLATE LEFT	1		
13	24H1744	WASHER, METALLIC, SQUARE HOLE	14		
14	52771	SPACER CYLINDER	2		
15	52702	HYDRAULIC CYLINDER, AUGER RH	1		
16	52776	HYDRAULIC CYLINDER, AUGER, LH	1		
17	H84374	BUSHING, SPACER-WHEEL MOUNTING	8		
18	52777	SPACER GUIDE PLATE	4		
19	52784	SPACER EYE BOLT	4		
20	14M7589	NUT, METRIC, HEX FL, SELF LOCKING	21		
21	19M7826	SCREW, FLANGED, METRIC	8		
22	Z55702	AUGENSCHRAUBE	4		
23	HXE95430	SPACER, BUSHING SPLIT AUGER	6		

**Auger Mount, Center**

XG410215

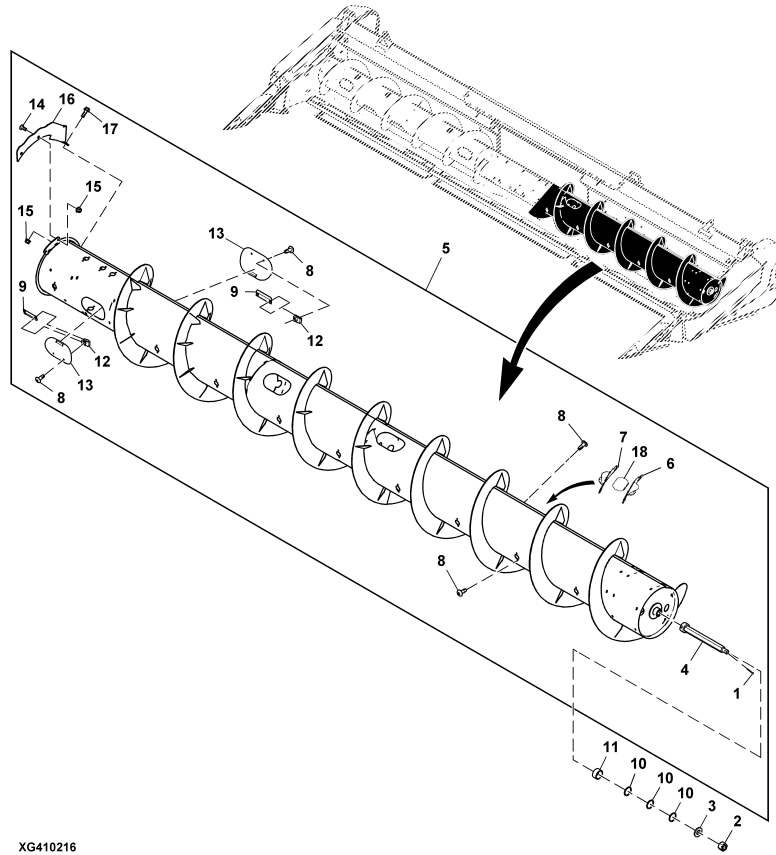


XG410215

Pos.	Artikel-Nr.	Benennung	Menge	Serial	No.
24	19M7827	SCREW, FLANGED, METRIC	6		
25	19M7843	SCREW, FLANGED, METRIC	2		
26	19M8349	SCREW, HEX HEAD, METRIC	2		
27	Z103881	SPACER	2		
28	53593	BRACKET	1		
29	53690	SPACER	1		

**Auger, LH (- 021299)**

XG410216

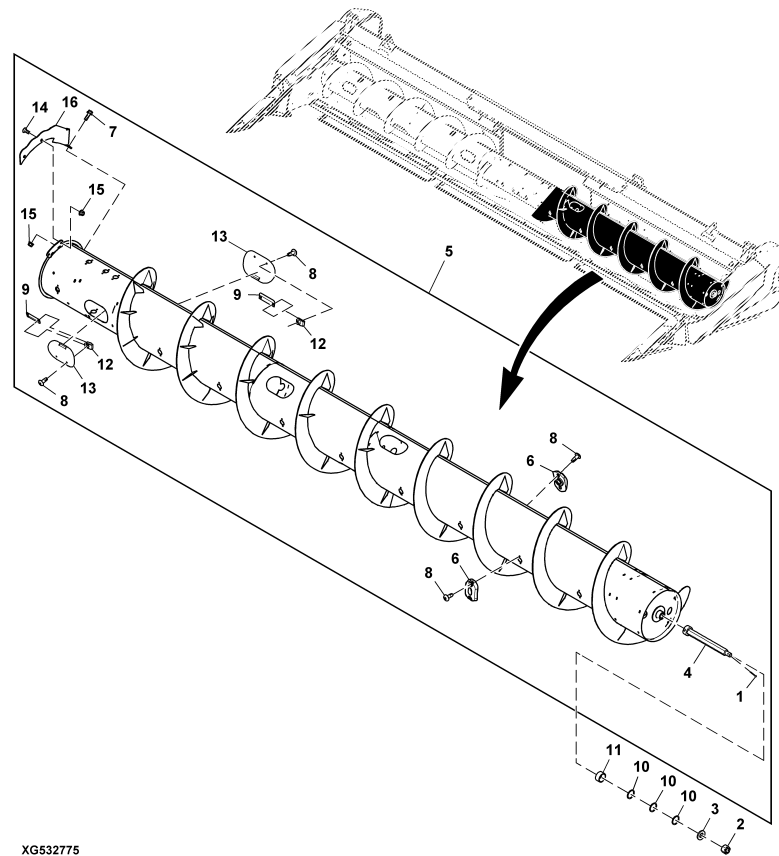


XG410216

Pos.	Artikel-Nr.	Benennung	Menge	Serial	No.
1	11M7030	PIN, COTTER	1		
2	14M7189	NUT, METRIC HEX SLOTTED	1		
3	24M7243	WASHER, METALLIC, ROUND HOLE	1		
4	AH206707	SHAFT,DRIVE ASSY, AUGER	1		
5	55002	AUGER LEFT	1		
6	53370	GUIDE, FINGER INSIDE	26		
7	53369	GUIDE, FINGER OUTSIDE	26		
8	H201027	SCREW- BUTTON HEAD ROLLING THRD	70		
9	H203898	PLATE, AUGER COVER	9		
10	HXE71023	WASHER, WASHER	3		
11	HXE71959	BUSHING, BUSHING	1		
12	M84971	NUT, CLIP NUT, M8	18		
13	Z105015	COVER HAND HOLE	9		
14	19M5055	SCREW, HEX FLAT CTSK HEAD, METRIC	2		
15	14M7518	NUT, METRIC, HEX FL, SELF LOCKING	3		
16	53549	SHEET	1		
17	19M7786	SCREW, FLANGED, METRIC	1		
18	52347	GUIDE, BALL FINGER	26		

**Auger, LH ( 021300 - )**

XG532775

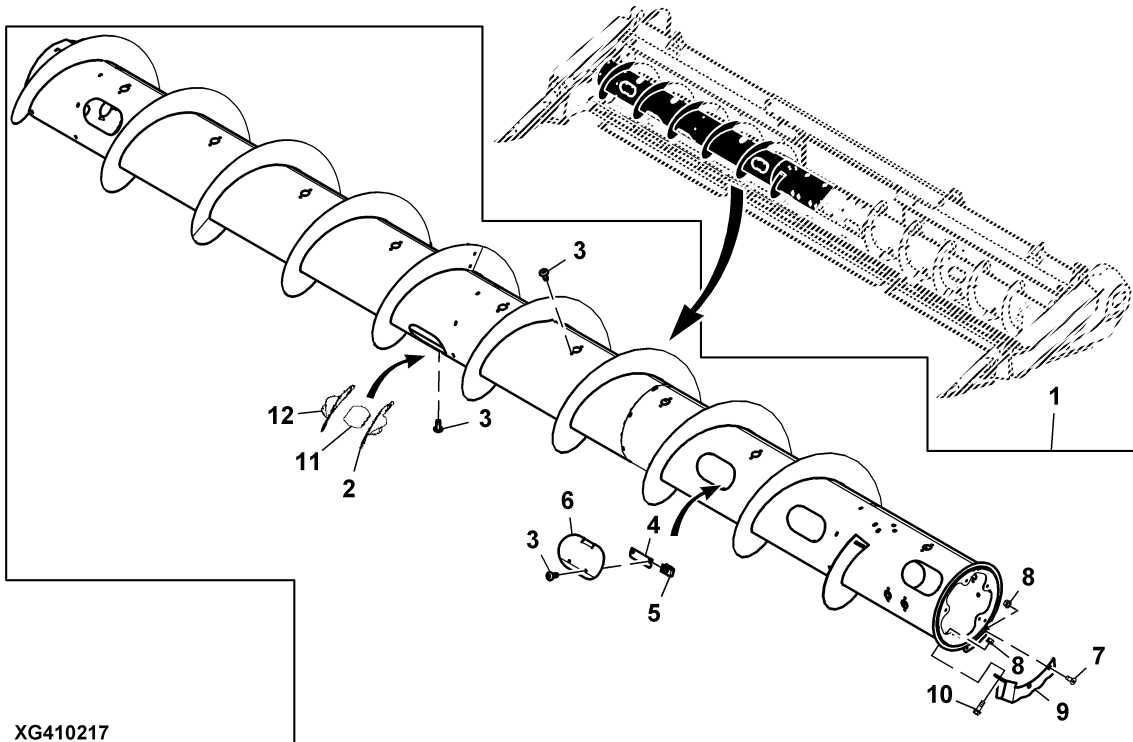


XG532775

Pos.	Artikel-Nr.	Benennung	Menge	Serial	No.
1	11M7030	PIN, COTTER	1		
2	14M7189	NUT, METRIC HEX SLOTTED	1		
3	24M7243	WASHER, METALLIC, ROUND HOLE	1		
4	AH206707	SHAFT,DRIVE ASSY, AUGER	1		
5	55002	AUGER LEFT	1		
6	54360	FINGER GUIDE	26		
7	19M7786	SCREW, FLANGED, METRIC	1		
8	H201027	SCREW- BUTTON HEAD ROLLING THRD	70		
9	H203898	PLATE, AUGER COVER	9		
10	HXE71023	WASHER, WASHER	3		
11	HXE71959	BUSHING, BUSHING	1		
12	M84971	NUT, CLIP NUT, M8	18		
13	Z105015	COVER HAND HOLE	9		
14	19M5055	SCREW, HEX FLAT CTSK HEAD, METRIC	2		
15	14M7518	NUT, METRIC, HEX FL, SELF LOCKING	3		
16	53549	SHEET	1		

**Auger, RH (- 021299)**

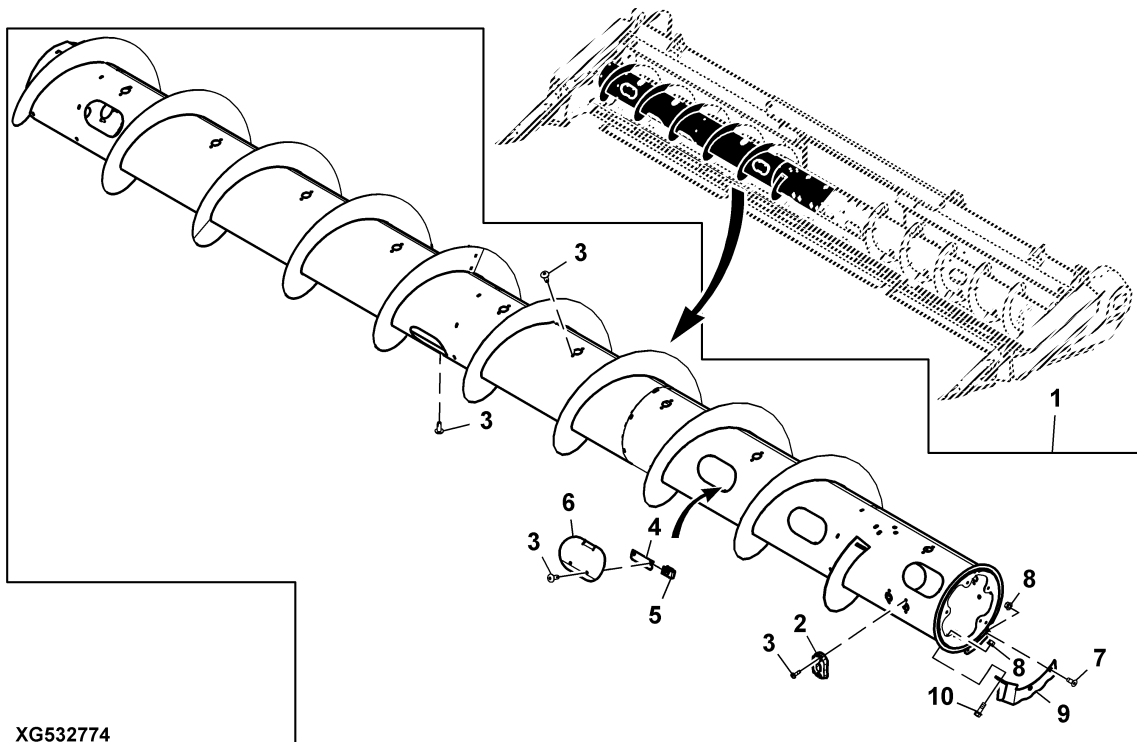
XG532775



Pos.	Artikel-Nr.	Benennung	Menge	Serial	No.
1	55007	AUGER RIGHT	1		
2	53369	GUIDE, FINGER OUTSIDE	26		
3	H201027	SCREW- BUTTON HEAD ROLLING THRD	72		
4	H203898	PLATE, AUGER COVER	10		
5	M84971	NUT, CLIP NUT, M8	20		
6	Z105015	COVER HAND HOLE	10		
7	19M5055	SCREW, HEX FLAT CTSK HEAD, METRIC	2		
8	14M7518	NUT, METRIC, HEX FL, SELF LOCKING	3		
9	53550	SHEET	1		
10	19M7786	SCREW, FLANGED, METRIC	1		
11	52347	GUIDE, BALL FINGER	26		
12	53370	GUIDE, FINGER INSIDE	26		

**Auger, RH ( 021300 - )**

XG532774

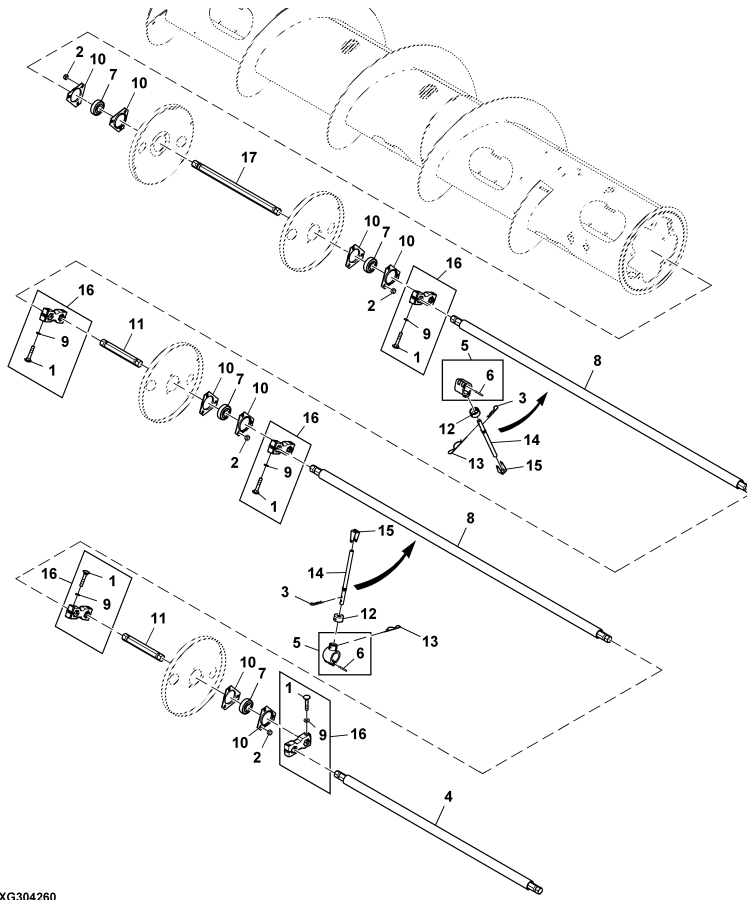


XG532774

Pos.	Artikel-Nr.	Benennung	Menge	Serial	No.
1	55007	AUGER RIGHT	1		
2	54360	FINGER GUIDE	26		
3	H201027	SCREW- BUTTON HEAD ROLLING THRD	72		
4	H203898	PLATE, AUGER COVER	10		
5	M84971	NUT, CLIP NUT, M8	20		
6	Z105015	COVER HAND HOLE	10		
7	19M5055	SCREW, HEX FLAT CTSK HEAD, METRIC	2		
8	14M7518	NUT, METRIC, HEX FL, SELF LOCKING	3		
9	53550	SHEET	1		
10	19M7786	SCREW, FLANGED, METRIC	1		

**Auger Finger Assembly**

XG304260

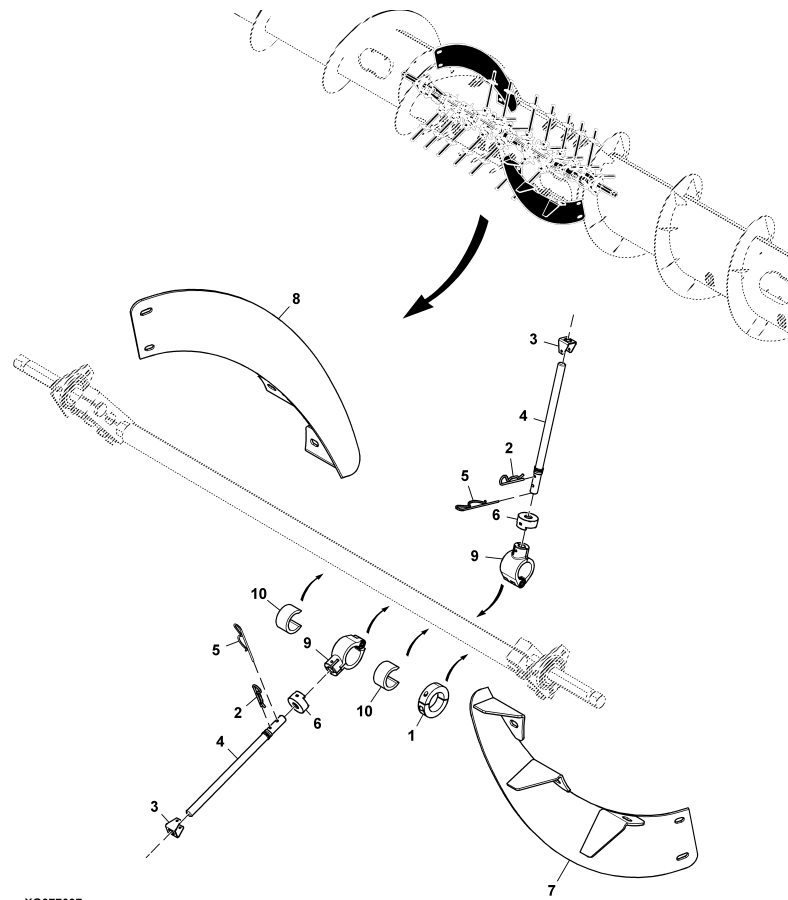


XG304260

Pos.	Artikel-Nr.	Benennung	Menge	Serial	No.
1	093391	BOLT	40		
2	14M7167	NUT, METRIC, HEX PREVAILING TORQUE	21		
3	28316	SPRING LOCKING PIN	32		
4	AXE58358	BAR, ASS'Y, CENTER	1		
5	AH171602	BEARING, BEARING-FINGER	32		
6	H171190	PIN, FINGER BEARING	32		
7	AN102010	BALL BEARING, BEARING ASSY-BALL	7		
8	54578	TUBE, STRUCTURAL	4		
9	093297	WASHER	40		
10	H161529	PRESSED FLANGED HOUSING, HOUSING, P	14		
11	54476	BAR	4		
12	H169912	RETAINER, AUGER BEARING CAP	32		
13	H169913	RETAINER-PIN	32		
14	52336	FINGER	32		
15	52334	RETAINER	32		
16	53365	CRANK	10		
17	54262	SHAFT, AUGER FINGER, RIGHT	1		

**Auger Flights and Fingers**

XG377097

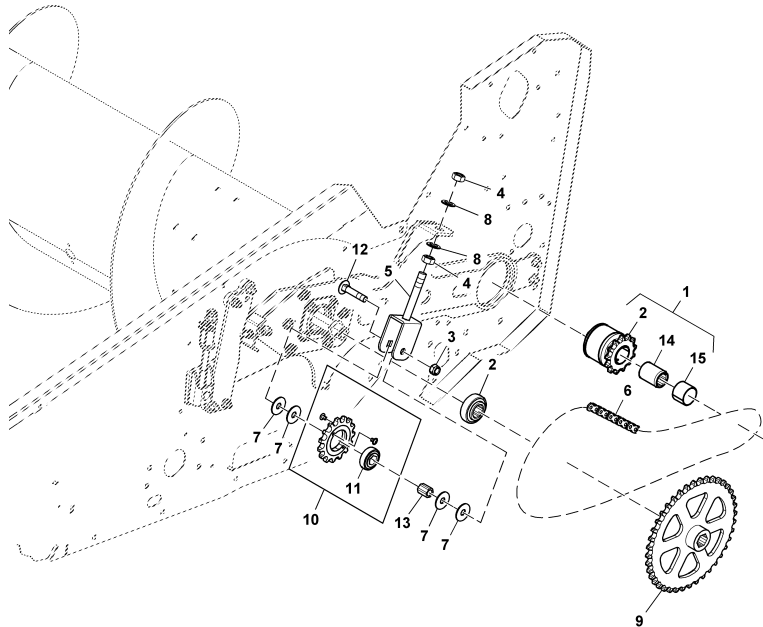


XG377097

Pos.	Artikel-Nr.	Benennung	Menge	Serial	No.
1	53842	CLAMP	4		- 21150
1	096925	LOCKING COLLAR	4	021151 -	
2	28316	SPRING LOCKING PIN	16		
3	52334	RETAINER	16		
4	52336	FINGER	16		
5	H169913	RETAINER-PIN	16		
6	53327	BUSHING	16		- 21150
7	54386	FLIGHT, EXTENSION, LEFT	1		
8	54381	FLIGHT, EXTENSION, RIGHT	1		
9	53803	BEARING	16		- 21150
9	54361	GUIDE	16	021151 -	
10	53812	SPACER	4		

**Bearings and Chain Tensioner for Auger Drive, Standard**

XG327542R1

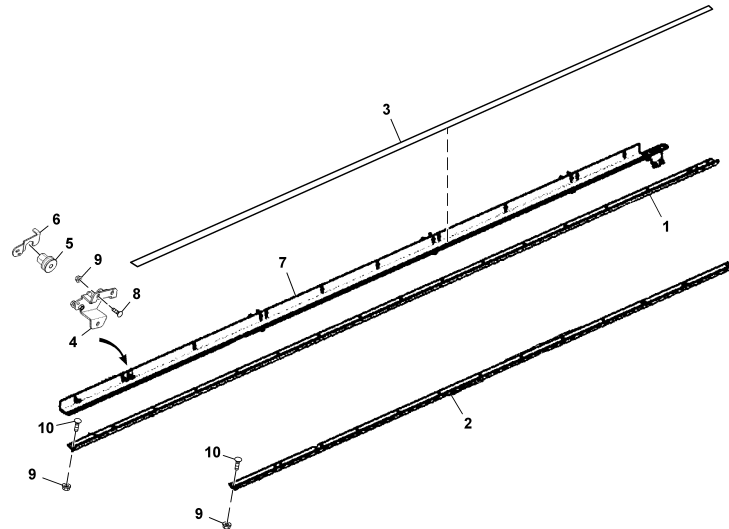


XG327542R1

Pos.	Artikel-Nr.	Benennung	Menge	Serial	No.
1	AXE62995	SLIP CLUTCH, WELDED COMPACT AUTOMA	2		
2	AXE64401	SLIP CLUTCH, WELDED COMPACT AUTOMA	2		
3	14M7328	NUT, METRIC, HEX PREVAILING TORQUE	1		
4	091666	HEXAGONAL NUT DIN934 M20	1		
5	54111	BRACKET, CHAIN TENSIONER	1		
6	54121	CHAIN 80H	1		
7	70367	WASHER DIN9021 A16	4		
8	091686	WASHER DIN125 B22	2		
9	52474	CHAIN SPROCKET	1		
10	52486	IDLER SPROCKET	1		
11	JD9313	BALL BEARING, BEARING HEX BORE	1		
12	093644	LOCK SCREW DIN603 M16X80	1		
13	52514	BUSHING	1		
14	HXE115655	BUSHING, BUSHING SPROCKET SUPPORT S	1		
15	AXE43905	BUSHING, SLIDING BUSHING SLIP CLUTC	1		

**Strippers and Supports, Frame ( - 021257)**

XG532088

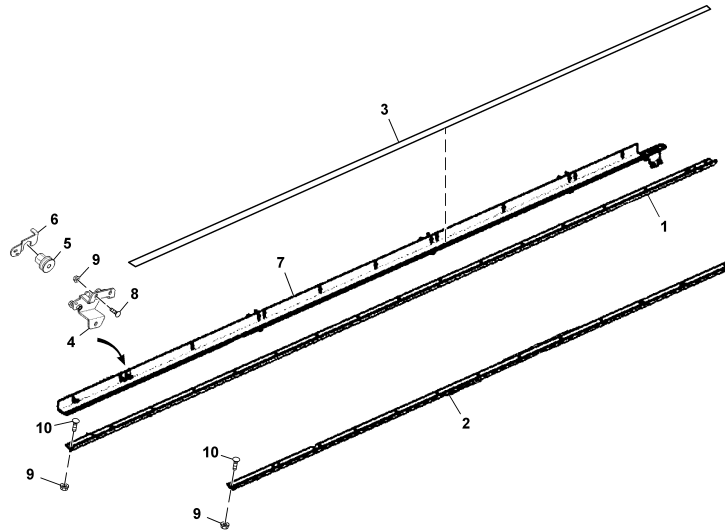


XG532088

Pos.	Artikel-Nr.	Benennung	Menge	Serial	No.
1	52449	FLOOR STRIPPER BACK	2		
2	52450	FLOOR STIPPER FRONT	2		
3	52451	STRIPPER	2		
4	52452	SUPPORT ADJUSTING NUT	8		
5	HXE54823	ADJUSTER, ADJUSTABLE STRIPPER	8		
6	52177	BRACKET ADJUSTING NUT	8		
7	HXE54782	SUPPORT, STRIPPER SUPPORT TOP ANGLE	2		
8	03M7185	BOLT, RD HD SQ SHORT NECK, METRIC	24		
9	14M7298	NUT, METRIC, HEX FLANGE	104		
10	03M7183	BOLT, RD HD SQ SHORT NECK, METRIC	80		

**Strippers and Supports, Frame ( 021258 - )**

XG532088

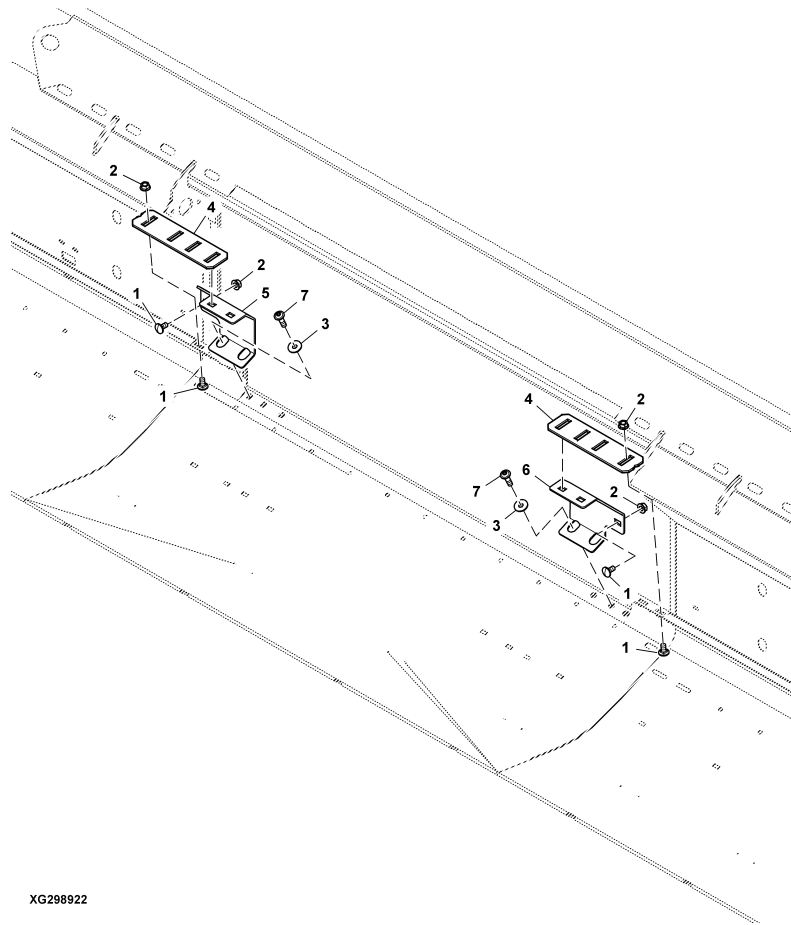


XG532088

Pos.	Artikel-Nr.	Benennung	Menge	Serial	No.
1	55079	FLOOR STRIPPER BACK	2		
2	55080	FLOOR STIPPER FRONT	2		
3	55085	STRIPPER	2		
4	52452	SUPPORT ADJUSTING NUT	8		
5	HXE54823	ADJUSTER, ADJUSTABLE STRIPPER	8		
6	52177	BRACKET ADJUSTING NUT	8		
7	55083	SUPPORT, STRIPPER SUPPORT TOP ANGLE	2		
8	03M7185	BOLT, RD HD SQ SHORT NECK, METRIC	24		
9	14M7298	NUT, METRIC, HEX FLANGE	104		
10	03M7183	BOLT, RD HD SQ SHORT NECK, METRIC	80		

**Strippers Feeder House Extension for S Series**

XG298922

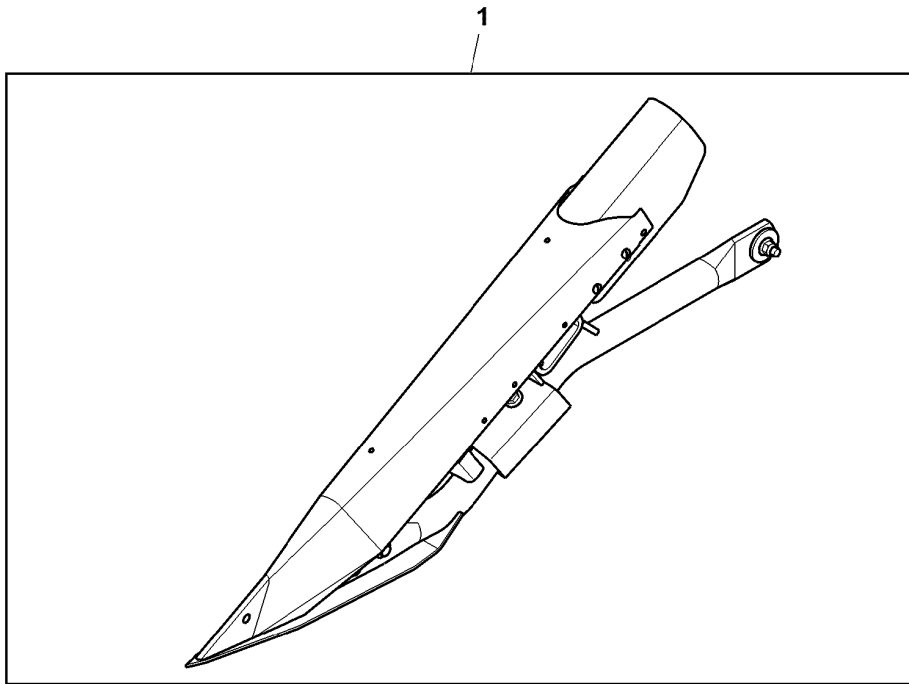


XG298922

Pos.	Artikel-Nr.	Benennung	Menge	Serial	No.
1	03M7183	BOLT, RD HD SQ SHORT NECK, METRIC	10		
2	14M7298	NUT, METRIC, HEX FLANGE	10		
3	24M7207	WASHER, METALLIC, ROUND HOLE	4		
4	HXE96301	STRIPPER, S SERIES CONFIGURATION	2		
5	HXE74260	BRACKET, REAR STRIPPER FH EXTENSION	1		
6	HXE74261	BRACKET, REAR STRIPPER FH EXTENSION	1		
7	HXE71867	BOLT, BUTTON HEAD W/ TORX M8 X 1.25	4		

**Attachment, Foldable Crop Divider, Short, LH**

BXE10519

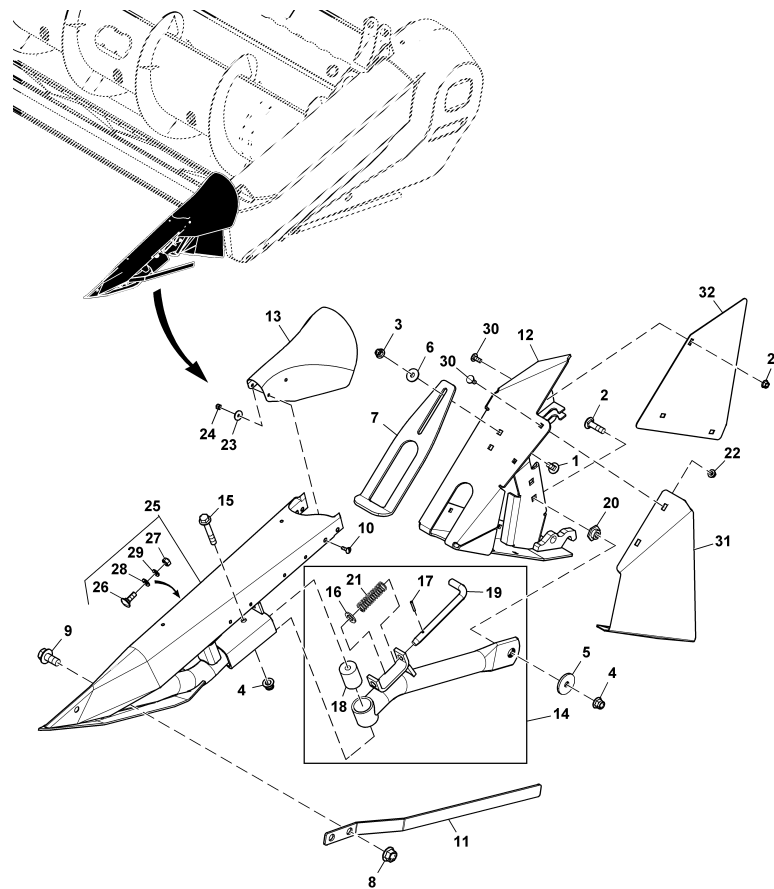


BXE10519

Pos.	Artikel-Nr.	Benennung	Menge	Serial	No.
1	BXE10519	CROP DIVIDER, DIVIDER SHORT FOLDABL	1		

**Foldable Crop Divider, Short, LH**

XG298923

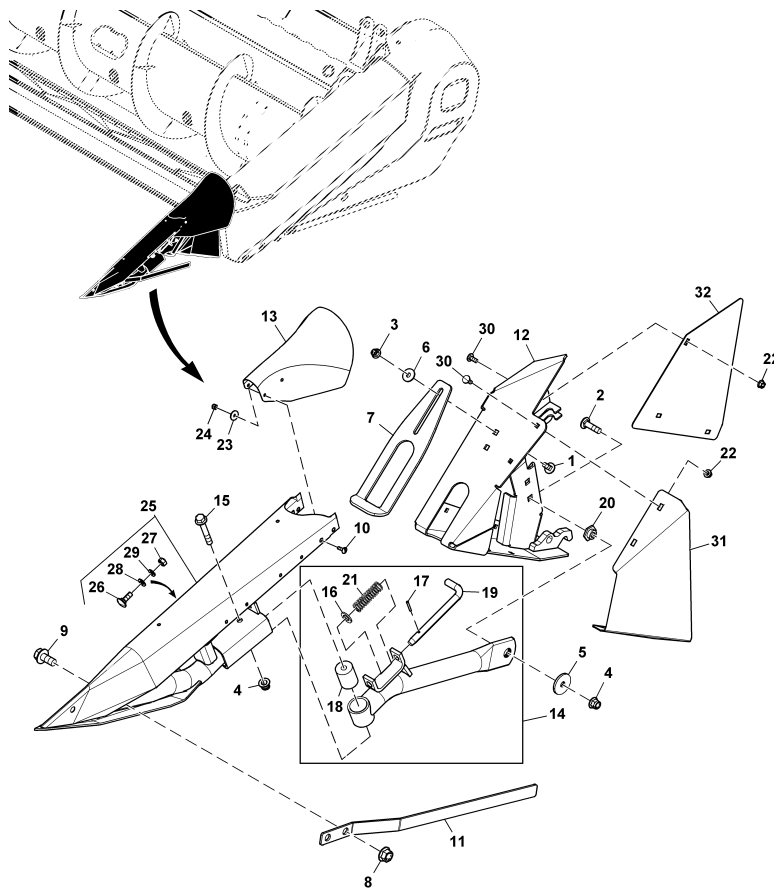


XG298923

Pos.	Artikel-Nr.	Benennung	Menge	Serial	No.
1	03M7191	BOLT, RD HD SQ SHORT NECK, METRIC	2		
2	03M7201	BOLT, RD HD SQ SHORT NECK, METRIC	1		
3	14M7296	NUT, METRIC, HEX FLANGE	2		
4	H137329	LOCK NUT, FLANGE LOCKNUT, DEFLECTED	2		
5	24H1347	WASHER, METALLIC, ROUND HOLE	1		
6	24M7178	WASHER, METALLIC, ROUND HOLE	2		
7	HXE67354	BRACKET, DIVIDER PIVOT ADJUSTMENT	1		
8	14M7291	NUT, HEX FLANGE M16X2 JDS119 10 ZN	2		
9	19M7843	SCREW, FLANGED, METRIC	2		
10	21M7455	SCREW	4		
11	HXE68953	DEFLECTOR, DEFLECTOR CROP DIVIDER	1		
12	AXE43918	GUIDE, FOR CROP DIVIDER LH	1		
13	HXE90004	DEFLECTOR, DIVIDER EXTENSION LH	1		
14	AXE29611	TUBE, TUBE ASS'Y DIVIDER PIVOT COMP	1		
15	19M7818	SCREW, FLANGED, METRIC	1		
16	24M7049	WASHER, METALLIC, ROUND HOLE	1		
17	34M3853	PIN, SPRING	1		
18	H173173	BUSHING, BUSHING, HINGE	1		
19	H173180	PIN, LATCH	1		
20	Z79399	BUSHING DEVIDER PIVOT	1		
21	124424	SPRING-COMPRESSION	1		
22	H137328	LOCK NUT, LOCKNUT-FLANGE, M8	7		
23	24M7100	WASHER, METALLIC, ROUND HOLE	4		

**Foldable Crop Divider, Short, LH**

XG298923

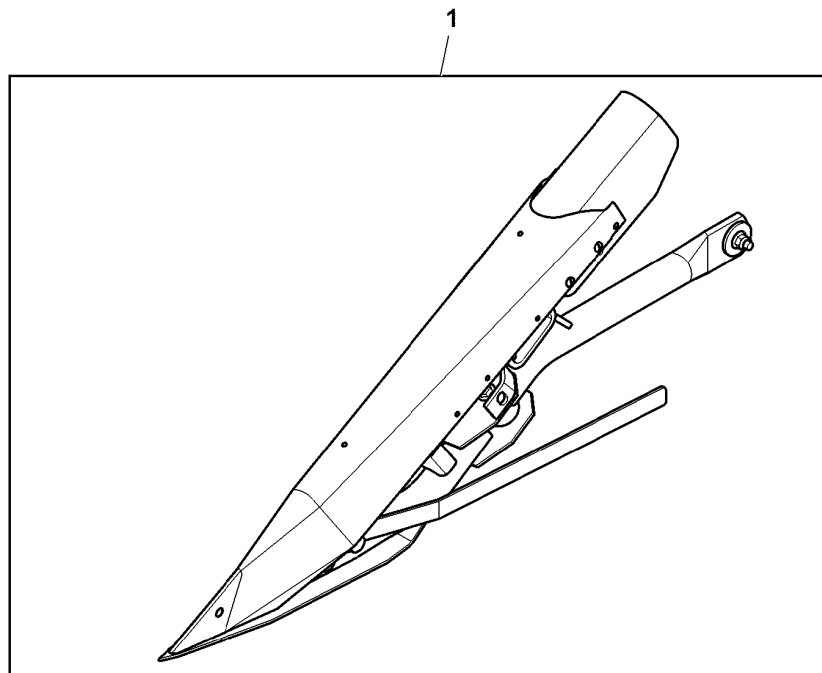


XG298923

Pos.	Artikel-Nr.	Benennung	Menge	Serial	No.
24	14M7528	NUT, METRIC, HEX PREVAILING TORQUE	4		
25	AXE43899	CROP DIVIDER, DIVIDER ASSY SHORT FO	1		
26	03M7085	BOLT, RD HD SQ LONG NECK, METRIC	1		
27	14M7274	NUT, METRIC, HEX	1		
28	24M7040	WASHER, METALLIC, ROUND HOLE	1		
29	12M7013	RONDELLE FREIN	1		
30	03M7184	BOLT, RD HD SQ SHORT NECK, METRIC	7		
31	HXE75641	SHEET, LH DIVIDER COVER	1		
32	HXE75637	SHEET, DIVIDER COVER	1		

**Attachment, Foldable Crop Divider, Short, RH**

BXE10520

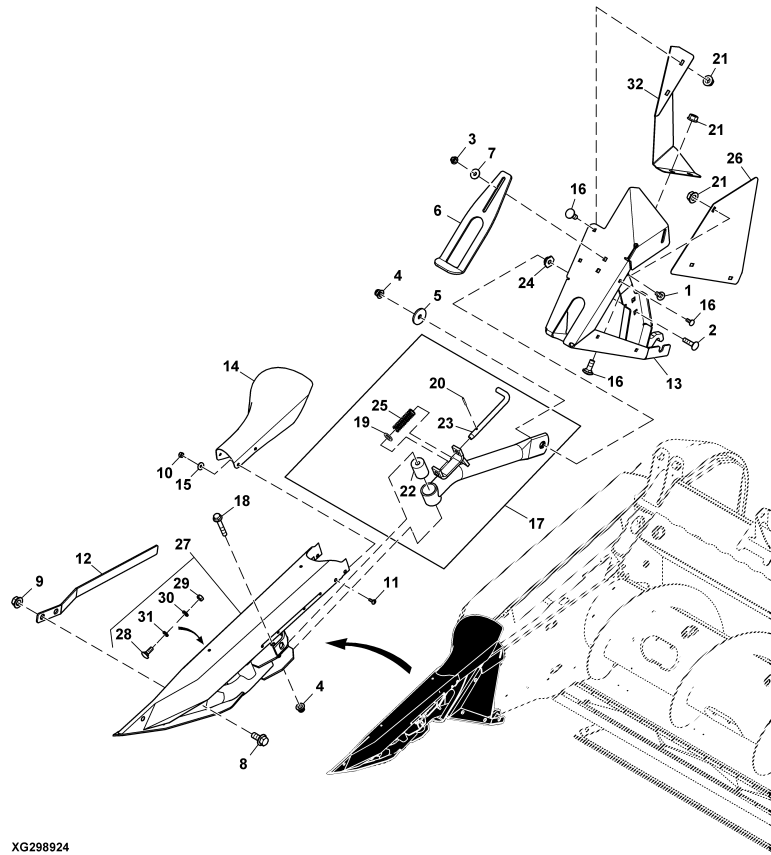


BXE10520

Pos.	Artikel-Nr.	Benennung	Menge	Serial	No.
1	BXE10520	CROP DIVIDER, DIVIDER SHORT FOLDABL	1		

**Foldable Crop Divider, Short, RH**

XG298924

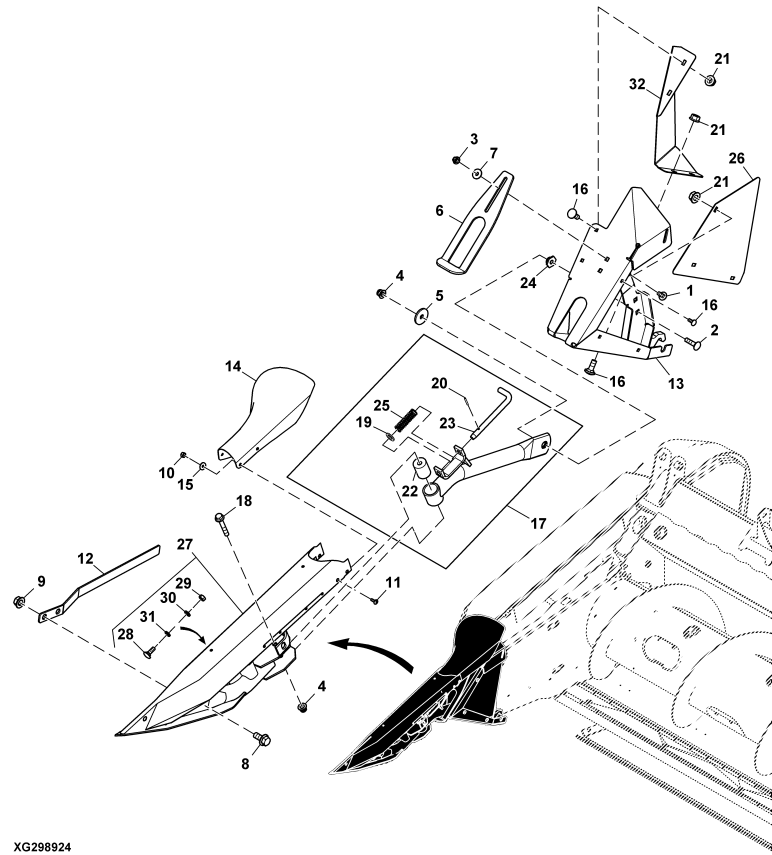


XG298924

Pos.	Artikel-Nr.	Benennung	Menge	Serial	No.
1	03M7191	BOLT, RD HD SQ SHORT NECK, METRIC	2		
2	03M7201	BOLT, RD HD SQ SHORT NECK, METRIC	1		
3	14M7296	NUT, METRIC, HEX FLANGE	2		
4	H137329	LOCK NUT, FLANGE LOCKNUT, DEFLECTED	2		
5	24H1347	WASHER, METALLIC, ROUND HOLE	1		
6	HXE67354	BRACKET, DIVIDER PIVOT ADJUSTMENT	1		
7	24M7178	WASHER, METALLIC, ROUND HOLE	2		
8	19M7843	SCREW, FLANGED, METRIC	2		
9	14M7291	NUT,HEX FLANGE M16X2 JDS119 10 ZN	2		
10	14M7528	NUT, METRIC, HEX PREVAILING TORQUE	4		
11	21M7455	SCREW	4		
12	HXE68953	DEFLECTOR, DEFLECTOR CROP DIVIDER	1		
13	AXE43925	GUIDE, FOR CROP DIVIDER RH	1		
14	HXE90498	DEFLECTOR, DIVIDER EXTENSION RH	1		
15	24M7100	WASHER, METALLIC, ROUND HOLE	4		
16	03M7184	BOLT, RD HD SQ SHORT NECK, METRIC	7		
17	AXE29611	TUBE, TUBE ASS'Y DIVIDER PIVOT COMP	1		
18	19M7818	SCREW, FLANGED, METRIC	1		
19	24M7049	WASHER, METALLIC, ROUND HOLE	1		
20	34M3853	PIN, SPRING	1		
21	H137328	LOCK NUT, LOCKNUT-FLANGE, M8	7		
22	H173173	BUSHING, BUSHING, HINGE	1		
23	H173180	PIN, LATCH	1		

**Foldable Crop Divider, Short, RH**

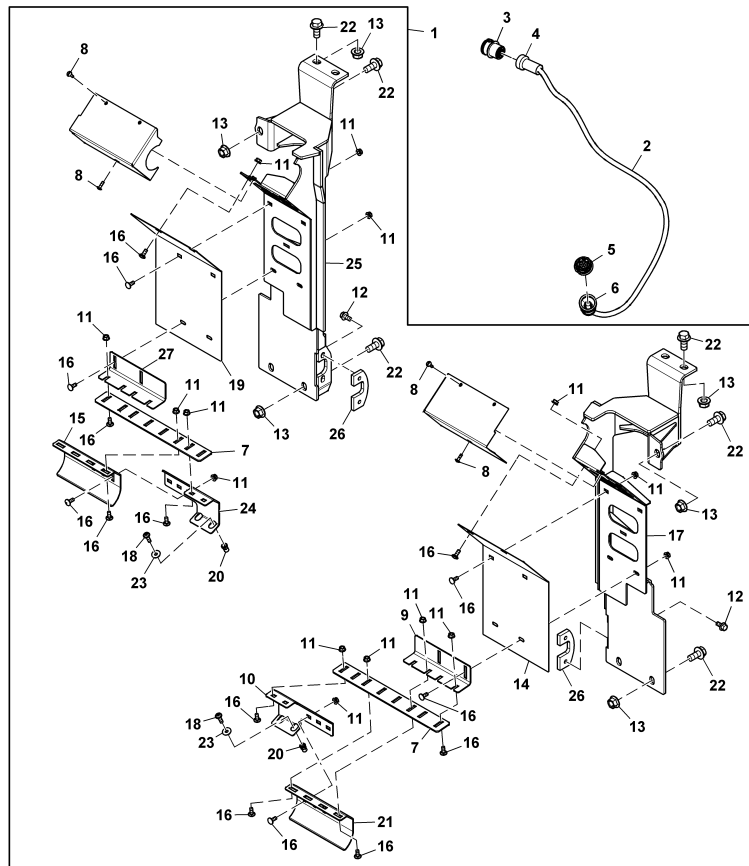
XG298924



Pos.	Artikel-Nr.	Benennung	Menge	Serial	No.
24	Z79399	BUSHING DEVIDER PIVOT	1		
25	124424	SPRING-COMPRESSION	1		
26	HXE75637	SHEET, DIVIDER COVER	1		
27	AXE43900	CROP DIVIDER, DIVIDER ASSY SHORT FO	1		
28	03M7085	BOLT, RD HD SQ LONG NECK, METRIC	1		
29	14M7274	NUT, METRIC, HEX	1		
30	24M7040	WASHER, METALLIC, ROUND HOLE	1		
31	12M7013	RONDELLE FREIN	1		
32	HXE75642	SHEET, RH DIVIDER COVER	1		

**Adapter Kit ( 021258 - )**

XG532772

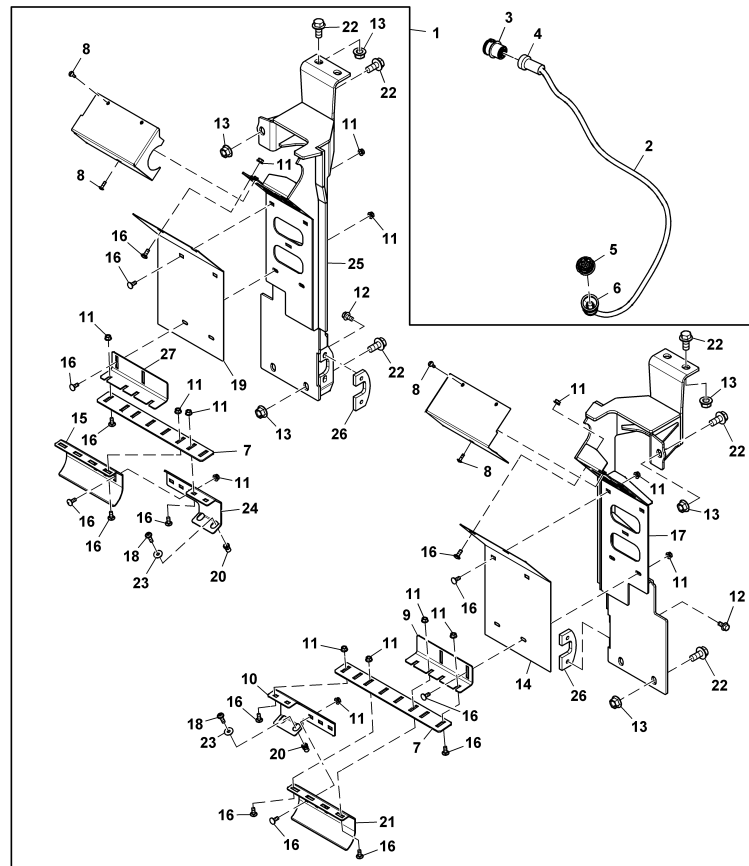


XG532772

Pos.	Artikel-Nr.	Benennung	Menge	Serial	No.
1	55099	ADAPTER KIT	1		
2	AXE83073	WIRING HARNESS, WIRING HARNESS, FRA	1		
3	57M16151	CONN TYCO HD30 31W FS SLVR ALUM	1		
4	57M12368	ACCY DEUTSCH HD30 BOOT BLK PLSTC	1		
5	57M9512	DEUTSCH 31WAY RCPT 24SHELL ESEAL	1		
6	57M10485	DEUTSCH HDP20 BACKSHELL BLK NYLON	1		
7	HXE151217	STRIPPER, S SERIES CONFIGURATION	2		
8	21M7455	SCREW	6		
9	HXE151216	SUPPORT, STRIPPER SUPPORT TOP ANGLE	1		
10	HXE151218	BRACKET, REAR STRIPPER FH EXTENSION	1		
11	14M7298	NUT, METRIC, HEX FLANGE	34		
12	19M7784	SCREW, FLANGED, METRIC	4		
13	14M7291	NUT, HEX FLANGE M16X2 JDS119 10 ZN	10		
14	55098	PLATE	1		
15	HXE151231	BRACKET, STRIPPER C-CHANNEL - RH	1		
16	03M7184	BOLT, RD HD SQ SHORT NECK, METRIC	34		
17	55096	SUPPORT LH	1		
18	HXE71867	BOLT, BUTTON HEAD W/ TORX M8 X 1.25	4		
19	55093	PLATE	1		
20	H162860	NUT, HEX THREADED INSERT M8 RIV-NUT	4		
21	HXE151219	BRACKET, STRIPPER C-CHANNEL - LH	1		
22	19M7843	SCREW, FLANGED, METRIC	10		
23	24M7207	WASHER, METALLIC, ROUND HOLE	4		

**Adapter Kit ( 021258 - )**

XG532772

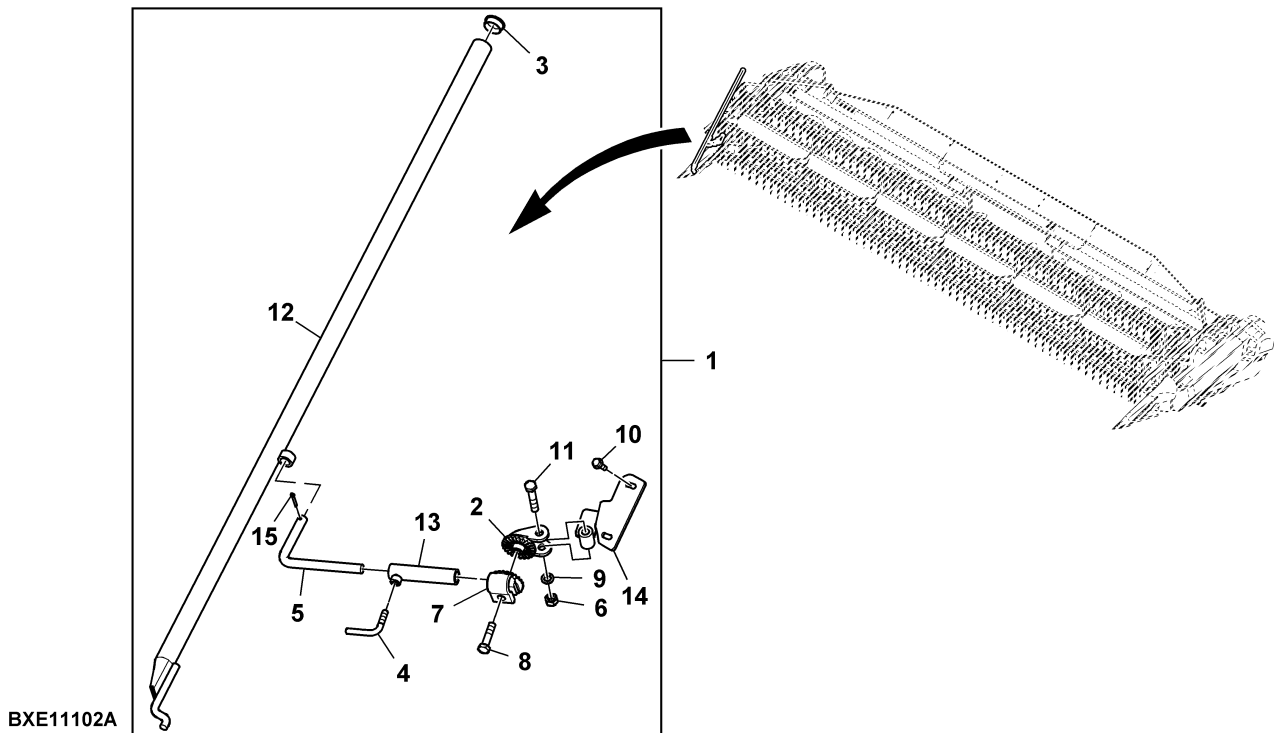


XG532772

Pos.	Artikel-Nr.	Benennung	Menge	Serial	No.
24	HXE151230	BRACKET, REAR STRIPPER FH EXTENSION	1		
25	55086	SUPPORT RH	1		
26	HXE102033	PLATE, PLATE-FDR HSE LATCH PIN HOLD	2		
27	HXE151229	SUPPORT, STRIPPER SUPPORT TOP ANGLE	1		

**Crop Divider Extension, Attachment**

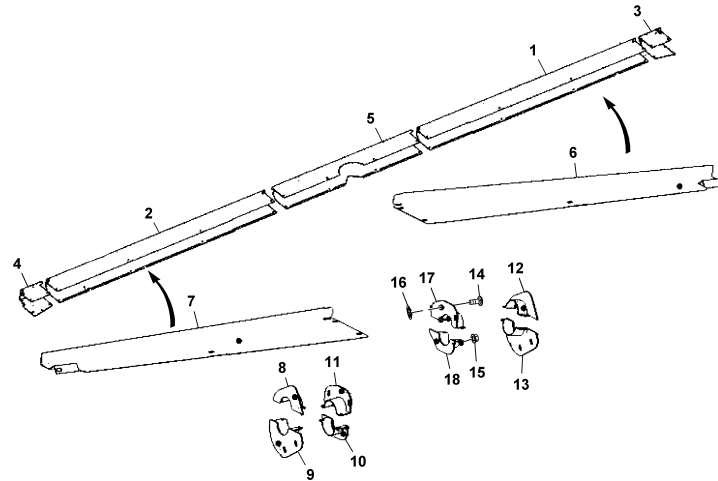
BXE11102A



Pos.	Artikel-Nr.	Benennung	Menge	Serial	No.
1	BXE11102	CROP DIVIDER, CROP DIVIDER EXTENSIO	1		
2	Z10173	ADJUSTER	1		
3	99M7056	PLUG	1		
4	Z21294	SET SCREW, SET SCREW	1		
5	HXE128644	ROD, ROD	1		
6	14M7031	HEX NUT DIN934 M12 X 1 75 X 10	1		
7	Z10174	ADJUSTER	1		
8	19M7073	SCREW, HEX HEAD, METRIC	1		
9	12M7014	WASHER, HELICAL SPRING LOCK, RGLR	1		
10	19M7867	SCREW, FLANGED, METRIC	2		
11	19M7331	SCREW, HEX HEAD, METRIC	1		
12	AXE76249	DEFLECTOR, DEFLECTOR CROP DIVIDER	1		
13	AXE76251	ADJUSTER, GUIDE TUBE	1		
14	AXE79519	BRACKET, DEFLECTOR ADJUSTER CROP DI	1		
15	11M7021	PIN, COTTER	1		

**Cover, Upper Shaft Shields**

XG410219

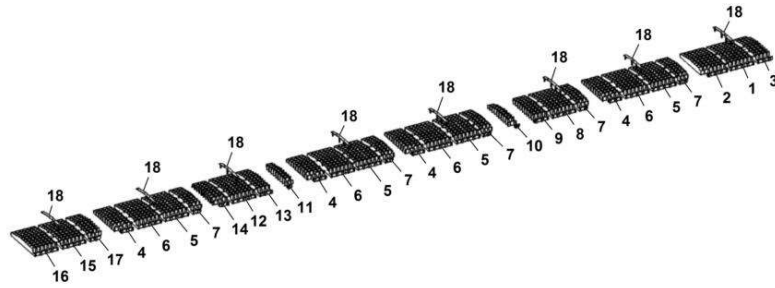


XG410219

Pos.	Artikel-Nr.	Benennung	Menge	Serial	No.
1	53822	GUARD SHAFT LEFT	1		
2	53821	GUARD SHAFT RIGHT	1		
3	53820	COVER, LEFT KNIFE DRIVE	1		
4	53819	COVER, RIGHT KNIFE DRIVE	1		
5	53823	COVER, SHAFT	1		
6	53818	COVER, SHAFT LEFT OUTSIDE	1		
7	53817	COVER, SHAFT RIGHT OUTSIDE	1		
8	53831	CLAMP COLLAR OUTSIDE RIGHT, COUNTER	1		
9	53830	UNIVERSAL DRIVESHAFT CLAMP COLLAR O	1		
10	53828	CLAMP COLLAR RIGHT, COUNTER PIECE U	1		
11	53829	UNIVERSAL DRIVESHAFT CLAMP COLLAR	1		
12	53827	UNIVERSAL DRIVESHAFT CLAMP COLLAR O	1		
13	53826	UNIVERSAL DRIVESHAFT CLAMP COLLAR O	1		
14	03M7184	BOLT, RD HD SQ SHORT NECK, METRIC	2		
15	14M7303	NUT, METRIC, HEX FLANGE	2		
16	H131531	PUSH NUT, NUT	2		
17	53825	UNIVERSAL DRIVESHAFT CLAMP COLLAR	1		
18	53824	CLAMP COLLAR OUTSIDE, COUNTER PIECE	1		

**Table Structure, Cutterbar, RH (- 021257)**

XG298926

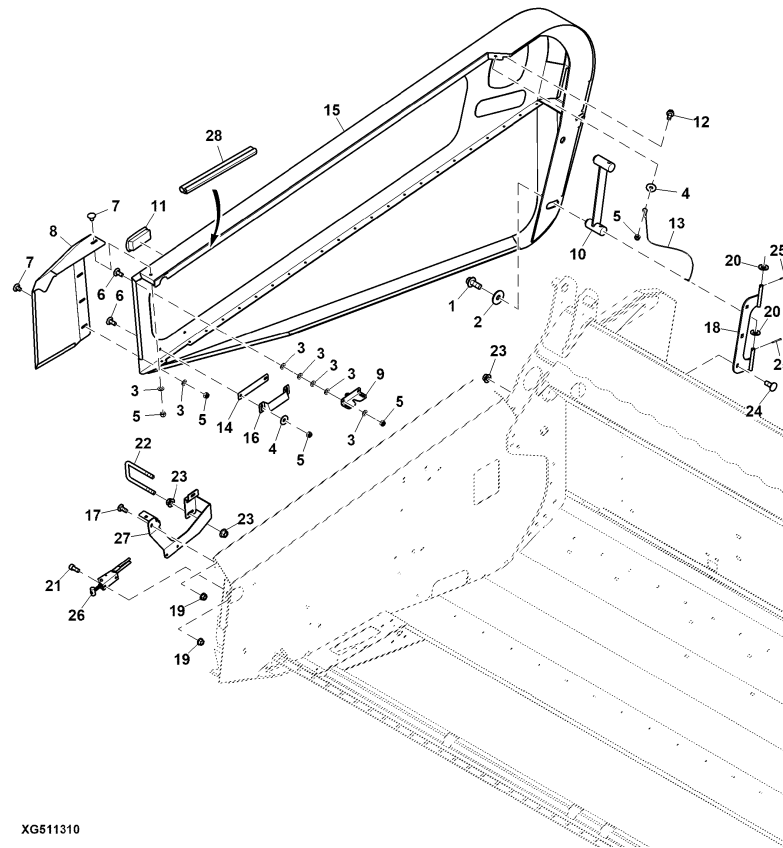


XG298926

Pos.	Artikel-Nr.	Benennung	Menge	Serial	No.
1	52811	FLOOR ELEMENT	1		
2	52406	FLOOR ELEMENT	1		
3	52407	FLOOR ELEMENT	1		
4	52409	FLOOR ELEMENT	1		
5	52405	FLOOR ELEMENT	1		
6	52812	FLOOR ELEMENT	1		
7	52410	FLOOR ELEMENT	2		
8	52813	FLOOR ELEMENT	1		
9	52421	FLOOR ELEMENT	1		
10	52422	FLOOR ELEMENT	AR		
11	52423	FLOOR ELEMENT	1		
12	52814	FLOOR ELEMENT	1		
13	52426	FLOOR ELEMENT	1		
14	52425	FLOOR ELEMENT	1		
15	52815	FLOOR ELEMENT	1		
16	52428	FLOOR ELEMENT	1		
17	52429	FLOOR ELEMENT	1		
18	52763	RETAINER, SKID PLATE	8		

**End Shield and Mounting, RH ( - 21339)**

XG511310

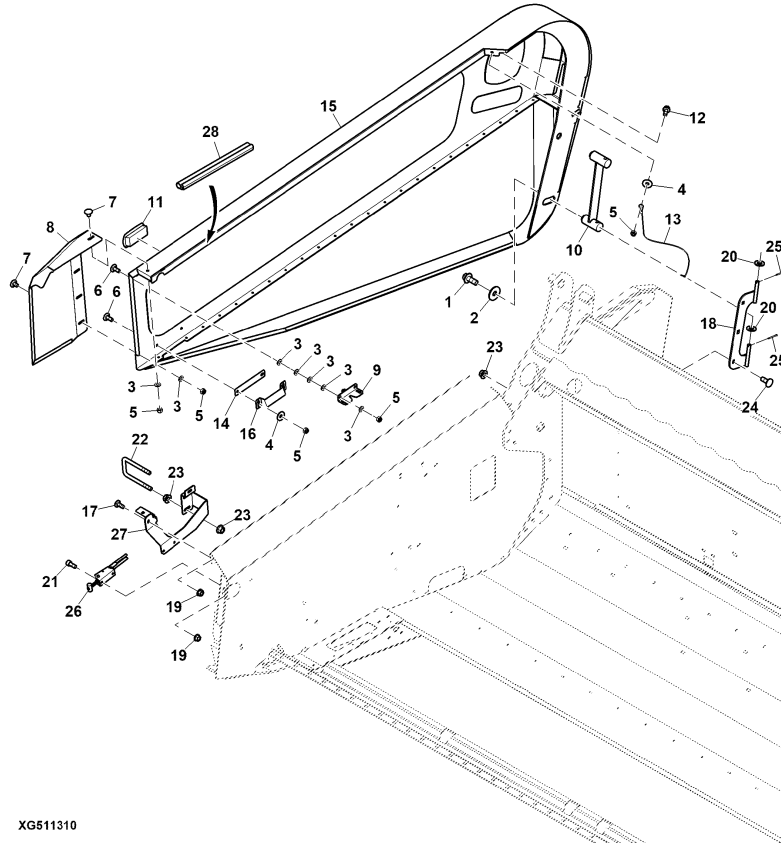


XG511310

Pos.	Artikel-Nr.	Benennung	Menge	Serial	No.
1	19M7789	SCREW, FLANGED, METRIC	2		
2	24M7180	WASHER, METALLIC, ROUND HOLE	2		
3	70109	DIN125 FLAT WASHER 8,4 MM, YELLOW	14		
4	70372	WASHER DIN9021 A8	3		
5	70103	DIN 985 HEXAGON NUT M8, BLUE	9		
6	70511	LOCK SCREW DIN603 M8X20	4		
7	093296	SCREW	4		
8	54272	GUARD, RIGHT, CORNER	1		
9	18240	LATCH	1		
10	AXE43725	HINGE, SHIELD HINGE	1		
11	60506	RECESS, HANDLE, GUARD	1		
12	70044	RATCHET TOOTHED SCREW M8X20 YELLOW	1		
13	AZ101993	CABLE, PUSH PULL CABLE	1		
14	HXE79105	SHEET, GUIDE SHEET	1		
15	54280	SIDE COVER, SLIM	1		
16	54270	BRACKET, DOOR, ADJUSTABLE	1		
17	03M7184	BOLT, RD HD SQ SHORT NECK, METRIC	2		
18	AXE48996	HINGE, HINGE STYLING RH	1		
19	14M7298	NUT, METRIC, HEX FLANGE	4		
20	70076	DIN125 FLAT WASHER 13 MM, BLUE	2		
21	091951	CYLINDER SCREW DIN912 M8X20	2		
22	54401	ROD, U-SHAPED	1		
23	14M7296	NUT, METRIC, HEX FLANGE	7		

**End Shield and Mounting, RH ( - 21339)**

XG511310

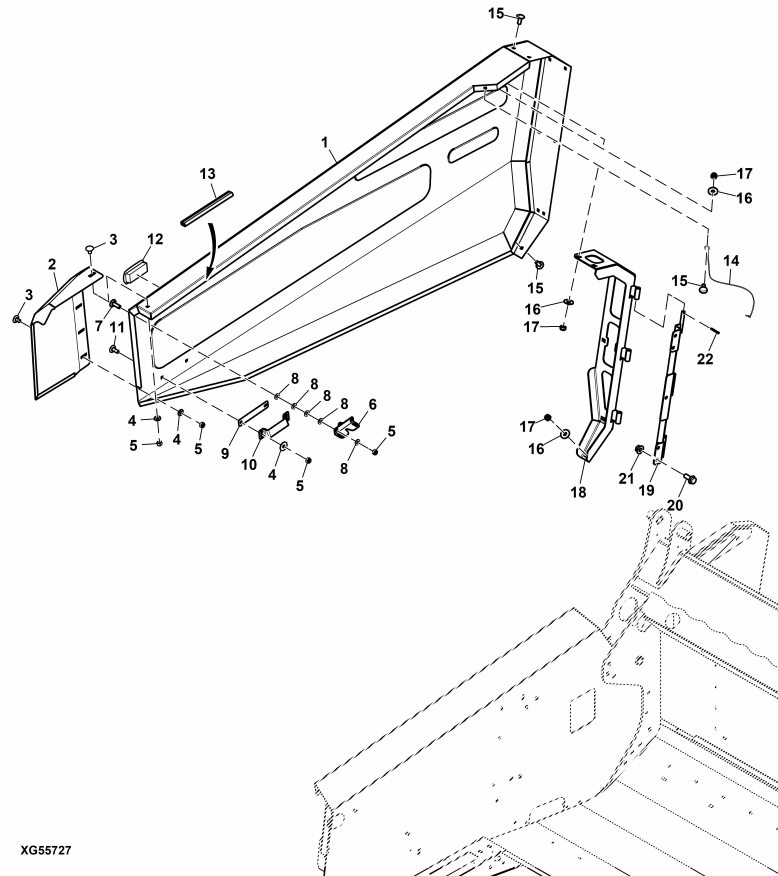


XG511310

Pos.	Artikel-Nr.	Benennung	Menge	Serial	No.
24	03M7191	BOLT, RD HD SQ SHORT NECK, METRIC	3		
25	11M7015	PIN, COTTER	2		
26	AXE63110	LATCH, FOR NIR BRACKET	1		
27	54399	BRACKET, DOOR FRONT, RIGHT	1		
28	55051	EDGE GUARD	1		

**End Shield and Mounting, RH**

XG55727

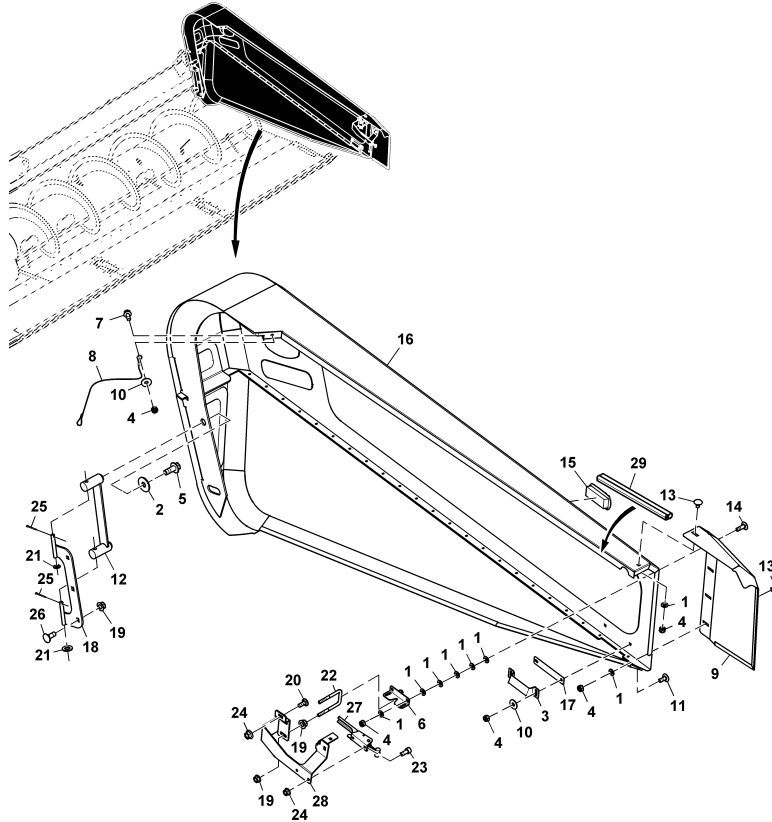


XG55727

Pos.	Artikel-Nr.	Benennung	Menge	Serial	No.
1	55723	SIDE COVER, RIGHT WIDE	1		
2	54272	GUARD, RIGHT, CORNER	1		
3	093296	SCREW	4		
4	70372	WASHER DIN9021 A8	7		
5	70185	NUT	3		
6	18240	LATCH	1		
7	093290	SCREW	2		
8	70109	DIN125 FLAT WASHER 8,4 MM, YELLOW	14		
9	HXE79105	SHEET, GUIDE SHEET	1		
10	54270	BRACKET, DOOR, ADJUSTABLE	1		
11	70511	LOCK SCREW DIN603 M8X20	4		
12	60506	RECESS, HANDLE, GUARD	1		
13	55051	EDGE GUARD	1		
14	AZ101993	CABLE, PUSH PULL CABLE	1		
15	70511	LOCK SCREW DIN603 M8X20	11		
16	70372	WASHER DIN9021 A8	11		
17	70185	NUT	11		
18	55721	SHILDE HINGE, HINGE RICHT WIDE	1		
19	55743	HINGE RIGHT	1		
20	70047	RATCHET TOOTHED SCREW M10X25 YELLOW	5		
21	70166	WASHER	5		
22	70796	PIN; COTTER	1		

**End Shield and Mounting, LH ( - 21339)**

XG511309

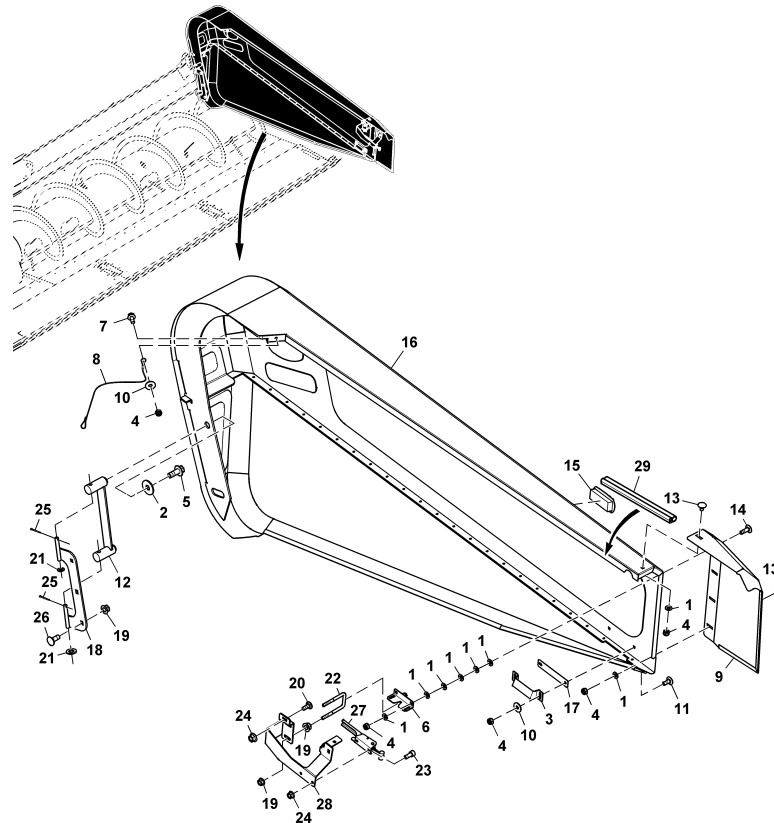


XG511309

Pos.	Artikel-Nr.	Benennung	Menge	Serial	No.
1	70109	DIN125 FLAT WASHER 8,4 MM, YELLOW	16		
2	24M7180	WASHER, METALLIC, ROUND HOLE	2		
3	54270	BRACKET, DOOR, ADJUSTABLE	1		
4	70103	DIN 985 HEXAGON NUT M8, BLUE	9		
5	19M7789	SCREW, FLANGED, METRIC	2		
6	18240	LATCH	1		
7	70044	RATCHET TOOTHED SCREW M8X20 YELLOW	1		
8	AZ101993	CABLE, PUSH PULL CABLE	1		
9	54195	GUARD, LEFT, CORNER	1		
10	70372	WASHER DIN9021 A8	3		
11	70511	LOCK SCREW DIN603 M8X20	2		
12	AXE43725	HINGE, SHIELD HINGE	1		
13	093296	SCREW	4		
14	70511	LOCK SCREW DIN603 M8X20	2		
15	60506	RECESS, HANDLE, GUARD	1		
16	54187	SIDE DOOR, LEFT	1		
17	HXE79105	SHEET, GUIDE SHEET	1		
18	AXE48995	HINGE, HINGE STYLING LH	1		
19	14M7296	NUT, METRIC, HEX FLANGE	7		
20	03M7184	BOLT, RD HD SQ SHORT NECK, METRIC	2		
21	70076	DIN125 FLAT WASHER 13 MM, BLUE	2		
22	54401	ROD, U-SHAPED	1		
23	091951	CYLINDER SCREW DIN912 M8X20	2		

**End Shield and Mounting, LH (- 21339)**

XG511309

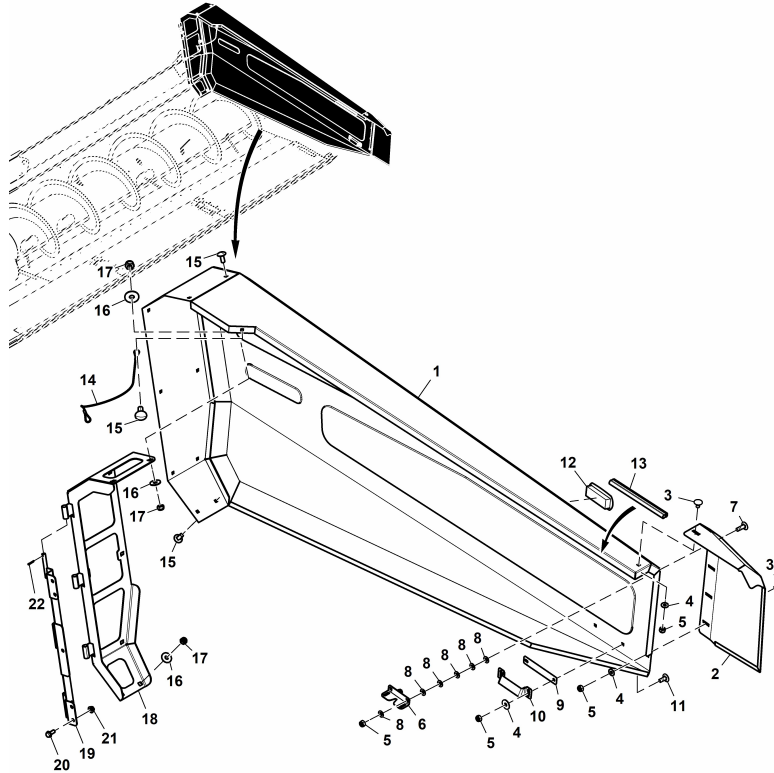


XG511309

Pos.	Artikel-Nr.	Benennung	Menge	Serial	No.
24	14M7298	NUT, METRIC, HEX FLANGE	4		
25	11M7015	PIN, COTTER	2		
26	03M7191	BOLT, RD HD SQ SHORT NECK, METRIC	3		
27	AXE63110	LATCH, FOR NIR BRACKET	1		
28	54400	BRACKET, DOOR, FRONT, LEFT	1		
29	55051	EDGE GUARD	1		

**End Shield and Mounting, LH ( 21340 -)**

XG55429

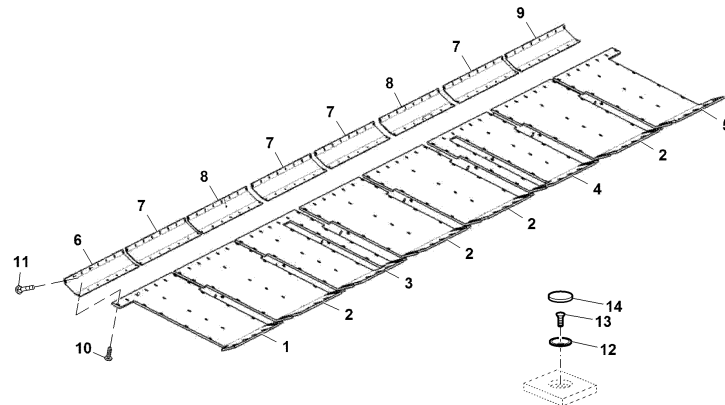


XG55429

Pos.	Artikel-Nr.	Benennung	Menge	Serial	No.
1	55441	SIDE DOOR, LEFT	1		
2	54195	GUARD, LEFT, CORNER	1		
3	093296	SCREW	4		
4	70372	WASHER DIN9021 A8	7		
5	70185	NUT	3		
6	18240	LATCH	1		
7	093290	SCREW	2		
8	70109	DIN125 FLAT WASHER 8,4 MM, YELLOW	14		
9	HXE79105	SHEET, GUIDE SHEET	1		
10	54270	BRACKET, DOOR, ADJUSTABLE	1		
11	70511	LOCK SCREW DIN603 M8X20	2		
12	60506	RECESS, HANDLE, GUARD	1		
13	55051	EDGE GUARD	1		
14	AZ101993	CABLE, PUSH PULL CABLE	1		
15	70511	LOCK SCREW DIN603 M8X20	11		
16	70372	WASHER DIN9021 A8	11		
17	70185	NUT	11		
18	55431	SHIELD HINGE LEFT	1		
19	55433	HINGE LEFT	1		
20	70047	RATCHET TOOTHED SCREW M10X25 YELLOW	5		
21	70166	WASHER	5		
22	70796	PIN; COTTER	1		

**Skid Plates ( - 021257)**

XG298929

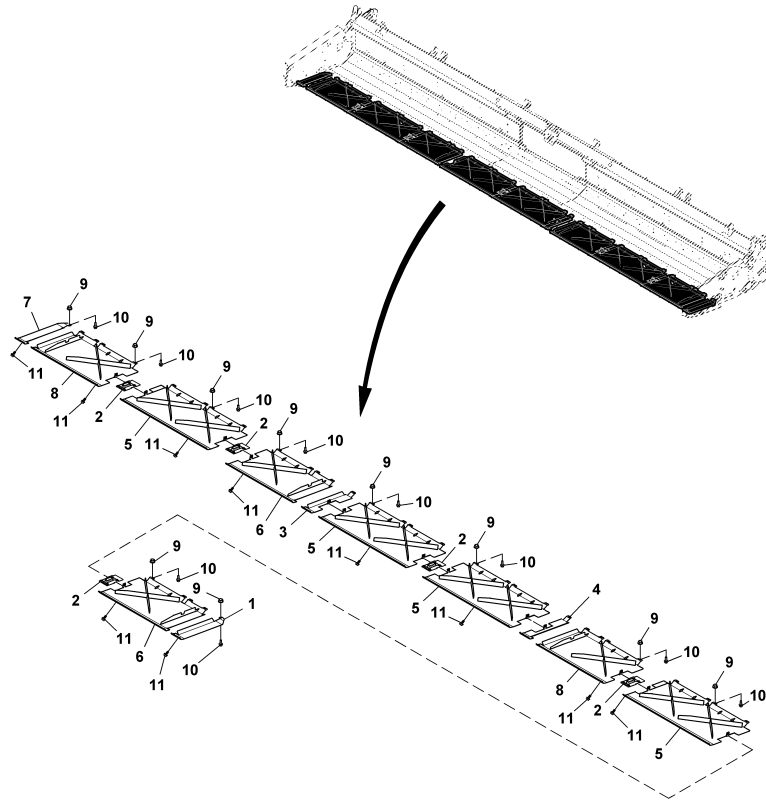


XG298929

Pos.	Artikel-Nr.	Benennung	Menge	Serial	No.
1	53320	PLASTIC BOTTOM SEGMENT LH	1		
2	53359	PLASTIC BOTTOM SEGMENT COMPLETE	4		
3	53319	PLASTIC BOTTOM SEGMENT LH-MIDDLE	1		
4	53318	PLASTIC BOTTOM SEGMENT RH-MIDDLE	1		
5	53317	PLASTIC BOTTOM SEGMENT RH	1		
6	53315	WEAR PLATE LH	1		
7	53311	WEAR PLATE	4		
8	53567	WEAR PLATE SENSOR PLATE	2		
9	53313	WEAR PLATE RH	1		
10	70879	BOLT, CUP SQUARE	56		
11	70044	RATCHET TOOTHED SCREW M8X20 YELLOW	64		
12	51639	WASHER, COUNTERSUNK	AR		
13	093420	BOLT, COUNTERSUNK	AR		
14	51638	PLUG	AR		

**Skid Plates ( 021258 - )**

XG532089

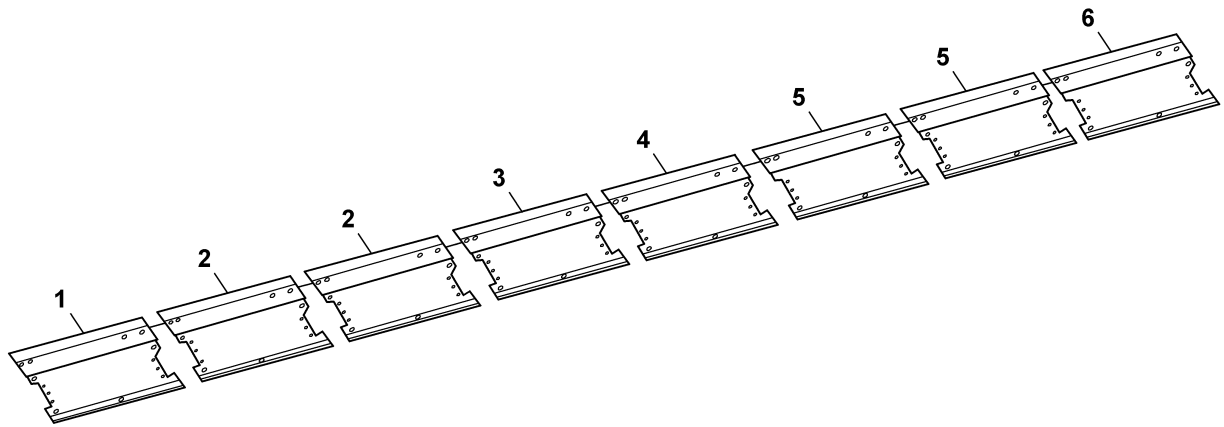


XG532089

Pos.	Artikel-Nr.	Benennung	Menge	Serial	No.
1	54037	SKID, LEFT OUTSIDE	1		
2	54447	COVER, LOCK, TRAVERSE	7		
3	54048	SKID, SMALL, LEFT	1		
4	54047	SKID, SMALL, RIGHT	1		
5	53958	SKID ASSEMBLY, WIDE	4		
6	54019	SKID ASSEMBLY, WIDE, LEFT	2		
7	54038	SKID, RIGHT OUTSIDE	1		
8	54035	SKID ASSEMBLY, WIDE, RIGHT	2		
9	14M7296	NUT, METRIC, HEX FLANGE	36		
10	03M7017	BOLT, RD HD SQ LONG NECK, METRIC	36		
11	19M7865	SCREW, FLANGED, METRIC	52		

**Skid Plates (- 021257)**

XG308757

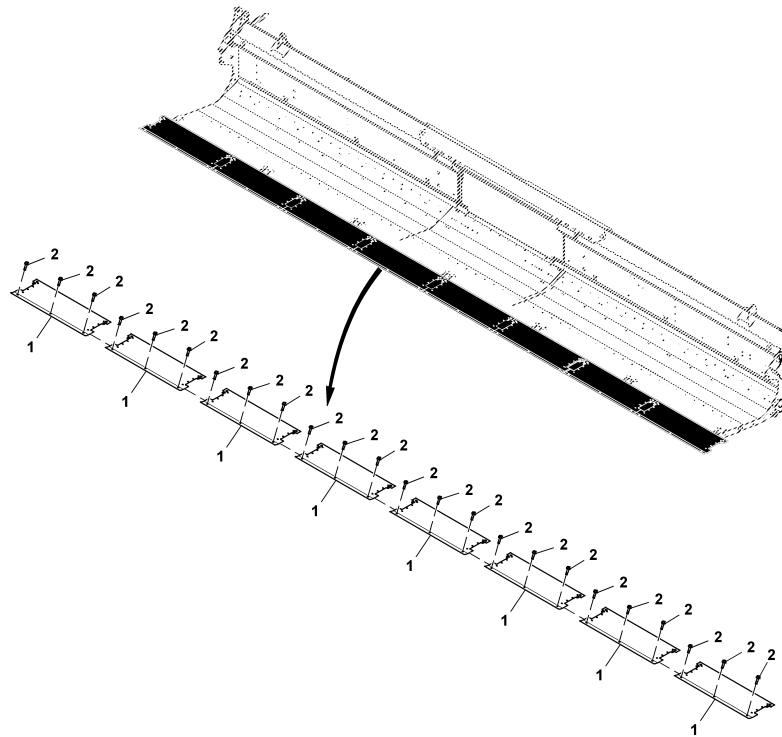


XG308757

Pos.	Artikel-Nr.	Benennung	Menge	Serial	No.
1	52464	FLOOR SECTION RIGHT	1		
2	53055	FLOOR SECTION CLIP RIGHT	2		
3	53814	FLOOR SECTION CLIP BOTH SIDED	1		
4	53813	FLOOR SECTION CLIP LEFT	3		
5	53057	BRACKET	2		
6	52462	FLOOR SECTION LEFT	1		

**Skid Plates ( 021258 - )**

XG534268

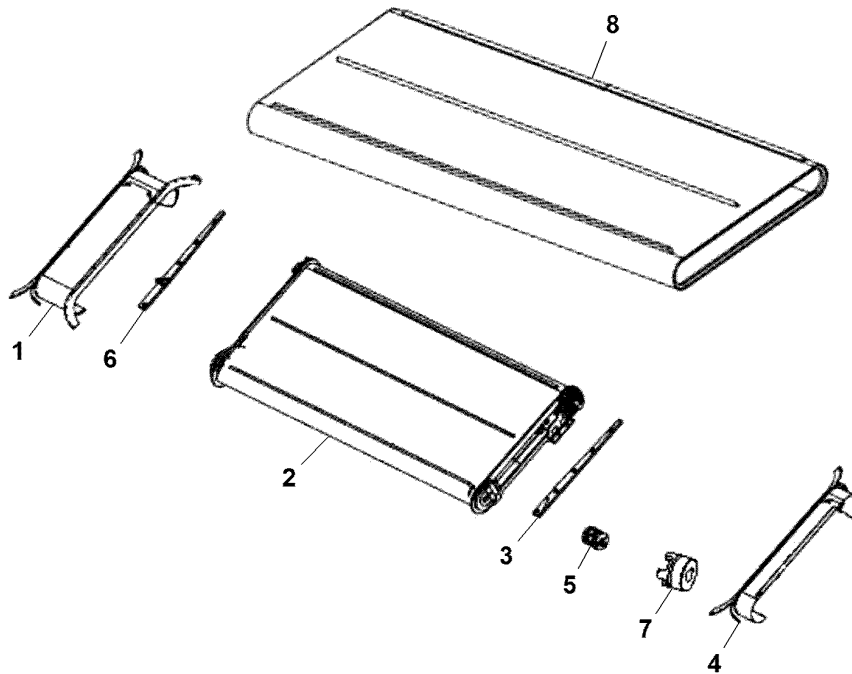


XG534268

Pos.	Artikel-Nr.	Benennung	Menge	Serial	No.
1	54156	FLOOR PLATE, MIDDLE	8		
2	70126	ROUND HEAD SCREW	24		

**Belt Body Mounting Unit**

XG298931

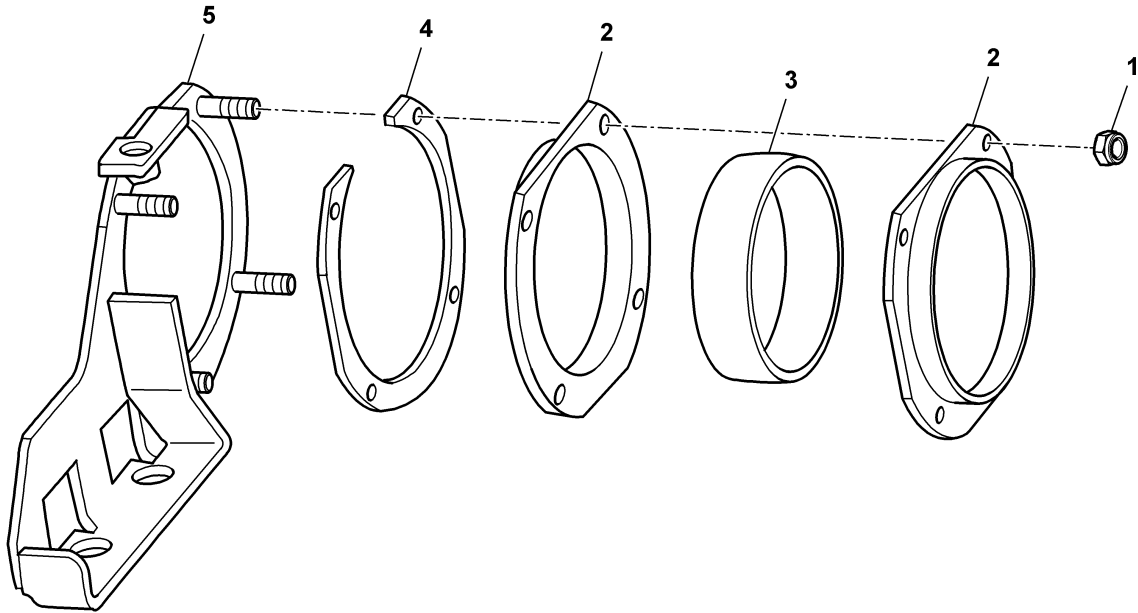


XG298931

Pos.	Artikel-Nr.	Benennung	Menge	Serial	No.
1	52466	COVER, SHEET FRONT MIDDLE	7		
2	53260	BODY COMPLETE, FEEDER BAND, 450 MM	8		
3	52479	STRIPPER LH	AR		
4	52490	COVER, SHEET LH OUTSIDE FRONT	1		
5	50902	COUPLING DISC, SEPARATED	16		
6	52478	STRIPPER RH	AR		
7	53262	ROTEX COUPLING COMPLETE	2		
8	51975	FEEDER BAND	8		

**Belt Body Mounting Unit**

ZX060067

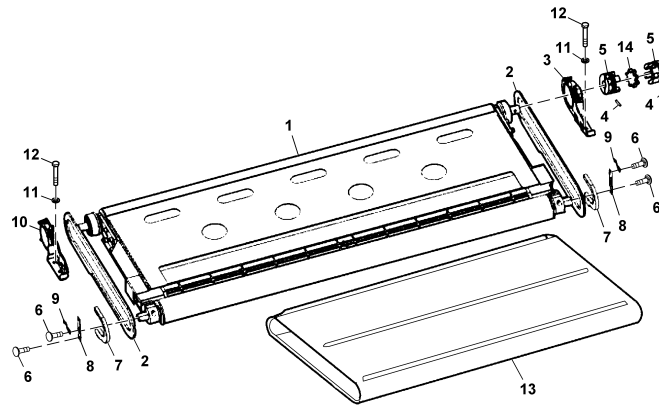


ZX060067

Pos.	Artikel-Nr.	Benennung	Menge	Serial	No.
1	70020	DIN 985 HEXAGON NUT M6, BLUE	48		
2	50897	BEARING, CAP	24		
3	50896	BUSHING	12		
4	50898	SPACER, BEARING CAP	12		
5	50894	BEARING, PIVOT LH	6		
5	50895	BEARING, PIVOT RH	6		

**Belt Body Mounting Unit**

XG304264

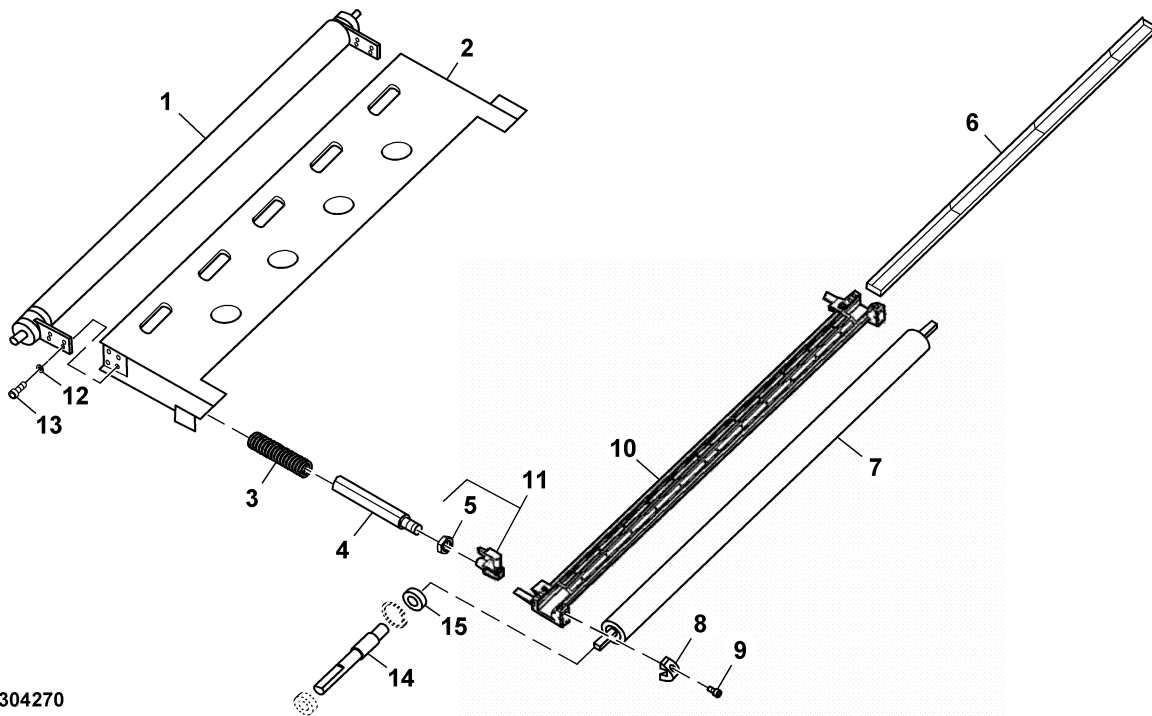


XG304264

Pos.	Artikel-Nr.	Benennung	Menge	Serial	No.
1	52613	BODY COMPLETE, FEEDER BAND	1		
2	52480	SEAL	2		
3	50917	BEARING, PIVOT LH	1		
4	70096	ISO8752 SPRING PIN 8 X 40	2		
5	50902	COUPLING DISC, SEPARATED	1		
6	70040	RATCHET TOOTHED SCREW M6X10 YELLOW	6		
7	50901	SEAL, FLEXIBLE	2		
8	51416	SHEET, FOR SEALING	2		
9	51417	SHEET, DRAWER	2		
10	50918	BEARING, PIVOT RH	1		
11	70076	DIN125 FLAT WASHER 13 MM, BLUE	4		
12	70125	DIN 931 HEXAGON HEAD CAP SCREW M12	4		
13	51975	FEEDER BAND	1		
14	50512	ABSORBER SEGMENT, RED	1		

**Belt Body Mounting Unit**

XG304270

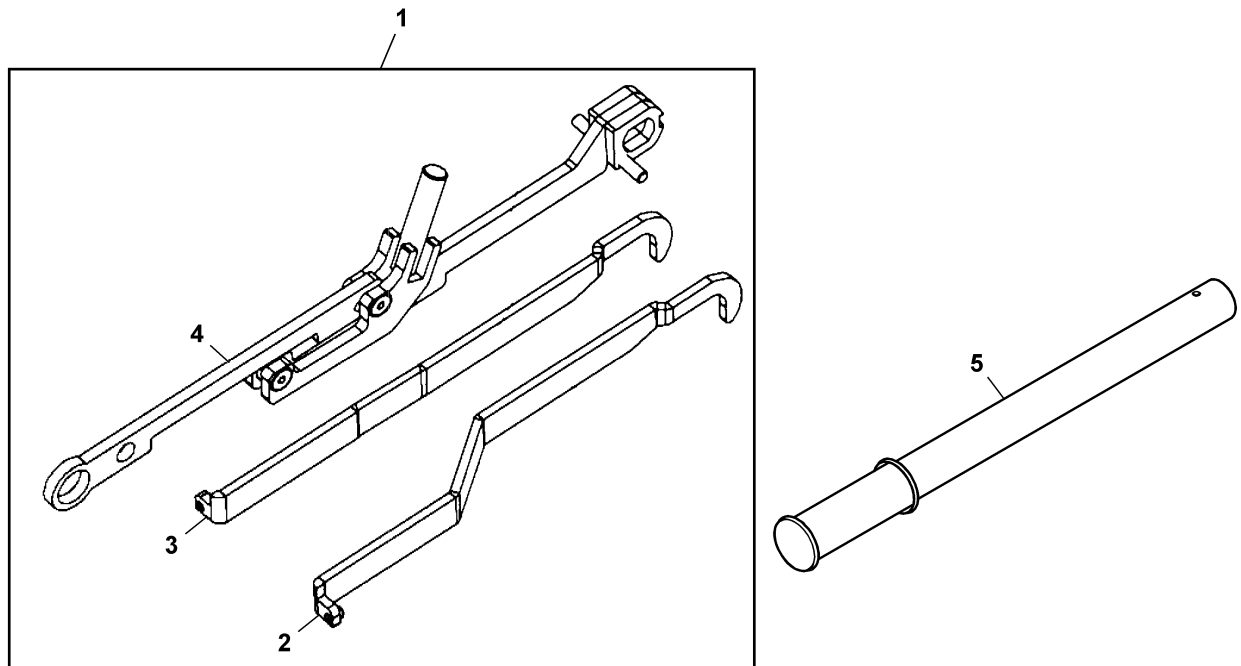


XG304270

Pos.	Artikel-Nr.	Benennung	Menge	Serial	No.
1	51170	ROLLER, REAR 35 FT	1		
2	52614	FRAME	1		
3	53261	SPRING	2		
4	51154	GUIDE	2		
5	70009	DIN 936 HEXAGON NUT M16 X 1,5, BLUE	2		
6	51591	DRAWER	1		
7	51594	FRONT ROLLER INCLUDING BEARINGS AND	1		
8	51167	SUPPORT FRONT ROLL	2		
9	70069	DIN912 SOCKET HEAD CAP SCREW M8 X 2	2		
10	52668	SLIDING SHIELD	2		
11	51476	FORK HEAD	2		
12	70109	DIN125 FLAT WASHER 8,4 MM, YELLOW	8		
13	70377	DIN912 SOCKET HEAD CAP SCREW M8 X 2	8		
14	51596	SHAFT, FRONT	1		
15	50310	BEARING 6005.2 RSR	1		

**Belt Body Mounting Tool**

XG304258

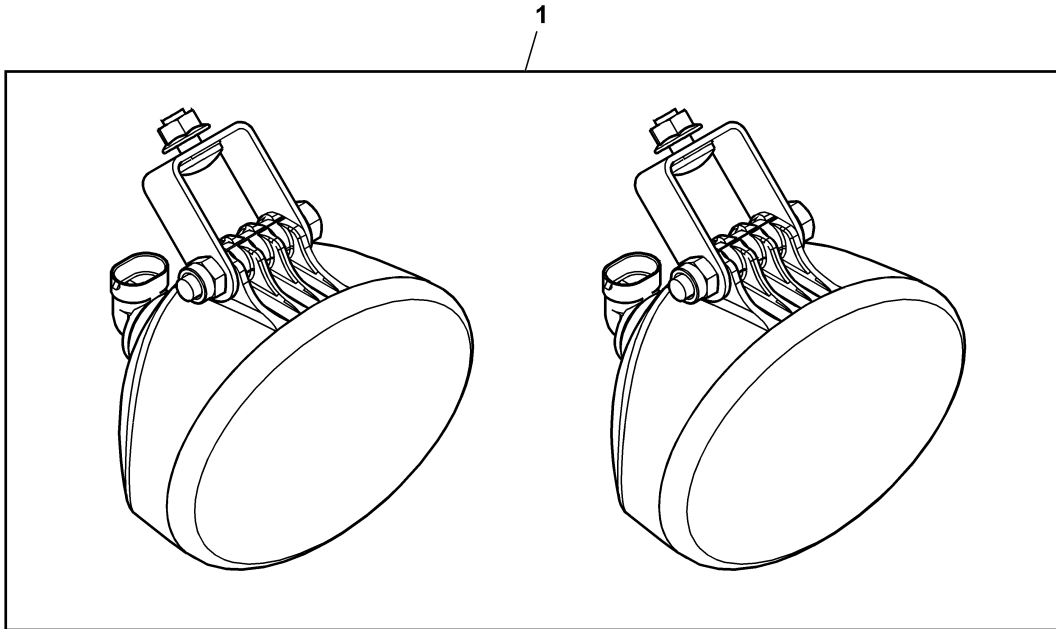


XG304258

Pos.	Artikel-Nr.	Benennung	Menge	Serial	No.
1	52660	TOOL KIT BELT BODY	1		
2	52661	HOOK LH	1		
3	52663	HOOK RH	1		
4	52664	TENSION TOOL	1		
5	50380	LEVER, PUMP WITH HANDLE	1		

**Attachment, Rear Flood Lamps**

BXE10515

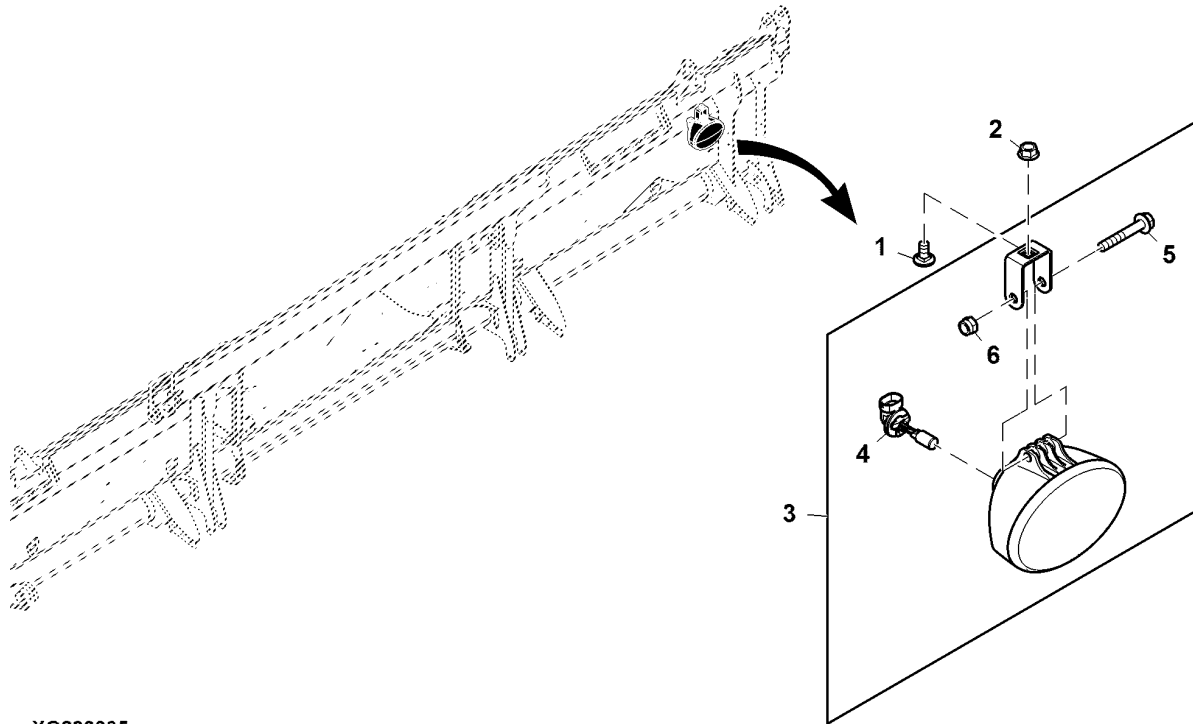


BXE10515

Pos.	Artikel-Nr.	Benennung	Menge	Serial	No.
1	BXE10515	FLOODLAMP, HEADER EXTREMITY LIGHT B	1		

**Rear Flood Lamp, RH**

XG298935

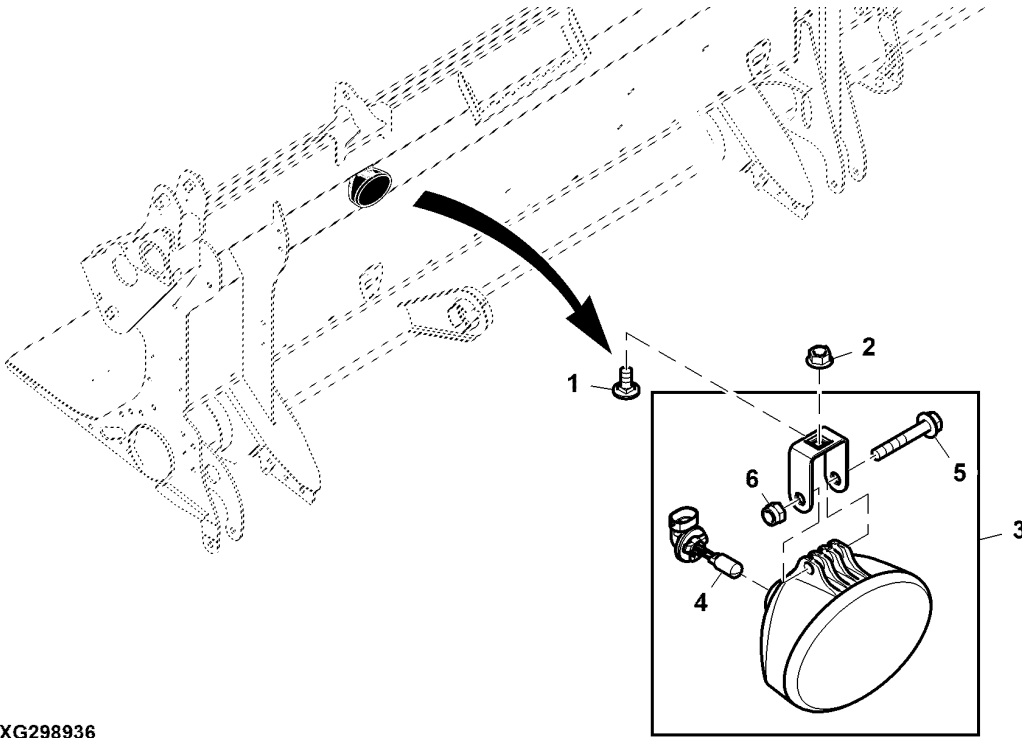


XG298935

Pos.	Artikel-Nr.	Benennung	Menge	Serial	No.
1	03M7183	BOLT, RD HD SQ SHORT NECK, METRIC	1		
2	14M7298	NUT, METRIC, HEX FLANGE	1		
3	AXE40244	FLOODLAMP, PLASTIC FLOOD	1		
4	AXE16948	BULB, BULB- ANSI 862	1		
5	19M8319	SCREW, FLANGED, METRIC	1		
6	14M7426	NUT, METRIC, HEX PREVAILING TORQUE	1		

**Rear Flood Lamp, LH**

XG298936

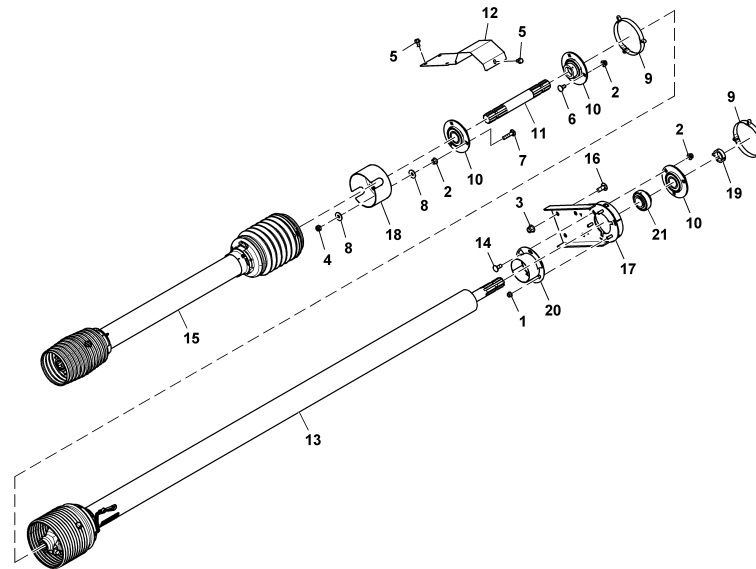


XG298936

Pos.	Artikel-Nr.	Benennung	Menge	Serial	No.
1	03M7183	BOLT, RD HD SQ SHORT NECK, METRIC	1		
2	14M7298	NUT, METRIC, HEX FLANGE	1		
3	AXE40244	FLOODLAMP, PLASTIC FLOOD	1		
4	AXE16948	BULB, BULB- ANSI 862	1		
5	19M8319	SCREW, FLANGED, METRIC	1		
6	14M7426	NUT, METRIC, HEX PREVAILING TORQUE	1		

**Backshaft and Universal Drive Shaft**

XG412215

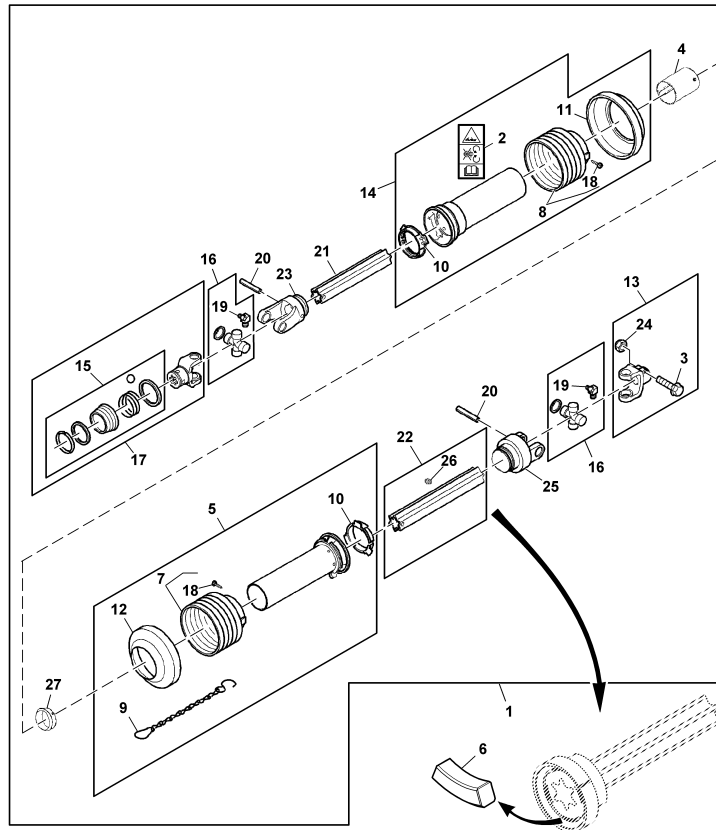


XG412215

Pos.	Artikel-Nr.	Benennung	Menge	Serial	No.
1	14M7298	NUT, METRIC, HEX FLANGE	3		
2	14M7296	NUT, METRIC, HEX FLANGE	9		
3	14M7401	NUT, METRIC, HEX FL, SELF LOCKING	4		
4	092530	HEXAGON NUT	3		
5	70043	RATCHET TOOTHED SCREW M8X16 YELLOW	5		
6	03M7190	BOLT, RD HD SQ SHORT NECK, METRIC	3		
7	03M7195	BOLT, RD HD SQ SHORT NECK, METRIC	3		
8	70368	WASHER DIN9021 A10	6		
9	H168246	RING SHIELD RETAINER	2		
10	60455	BEARING, KIT	3		
11	54077	SHAFT, MIDDLE SUPPORT	1		
12	54153	GUARD	1		
13	53358	DRIVE SHAFT	1		
14	03M7191	BOLT, RD HD SQ SHORT NECK, METRIC	3		
15	55027	ZWISCHENZAPFWELLE PF740	1		
16	03M7198	BOLT, RD HD SQ SHORT NECK, METRIC	4		
17	52920	DRIVE SHAFT, BRACKET OUTSIDE	1		
18	54885	UNIVERSAL DRIVE SHAFT	1		
19	52648	CLAMP RING WITH CARRIER	1		
20	52921	GUARD, DRIVE SHAFT	1		

**Universal Drive Shaft**

XG304259

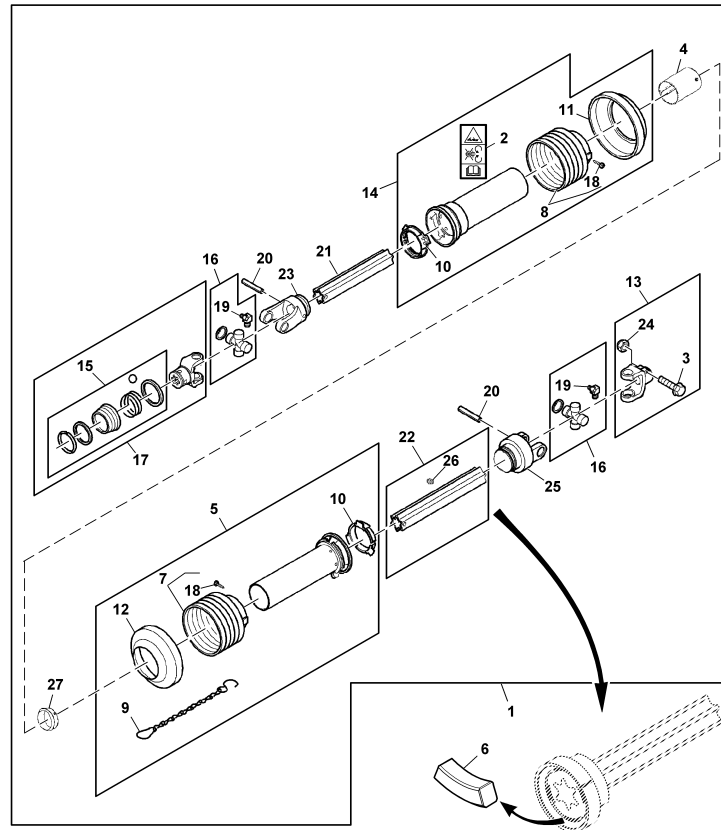


XG304259

Pos.	Artikel-Nr.	Benennung	Menge	Serial	No.
1	53815	UNIVERSAL DIRVESHAFT	1		
2	DC205482	JEU D'AUTOCOLLANTS	1		
3	19M8088	SCREW, HEX HEAD, METRIC	1		
4	Z63602	SHIELD	1		
5	AXE28941	UNIVERSAL DRIVESHAFT, INNER GUARD H	1		
6	Z106350	KEY, KEY WALTERSCHEID PTO SHAFT REW	4		
7	Z104467	UNIVERSAL DRIVESHAFT, GUARD CONE	1		
8	DC44091	GARANT	1		
9	AW24500	LINK CHAIN	1		
10	W36510	RING	2		
11	W37216	CAP, COLLAR, REINFORCING	1		
12	Z104466	UNIVERSAL DRIVESHAFT, REINFORCING C	1		
13	53680	UNIVERSAL JOINT JOKE	1		
14	AXE28940	UNIVERSAL DRIVESHAFT, OUTER GUARD H	1		
15	DC205679	VERROUILLAGE	1		
16	DC204595	CROISILLON DE CARDAN	2		
17	AXE28942	UNIVERSAL DRIVESHAFT, ASGE YOKE COM	1		
18	37M7067	SCREW, SLFTPG, SPD THD, CR PAN HD	4		
19	58M5577	FITTING, LUBRICANT, METRIC, CONE HD	2		
20	HXE45681	SPRING PIN, SPRING-TYPE STRAIGHT PI	2		
21	W53852	TUBE, TUBE, INNER	1		
22	HXE45682	UNIVERSAL DRIVESHAFT, PROFILE TUBE	1		
23	W38769	INBOARD YOKE	1		

**Universal Drive Shaft**

XG304259

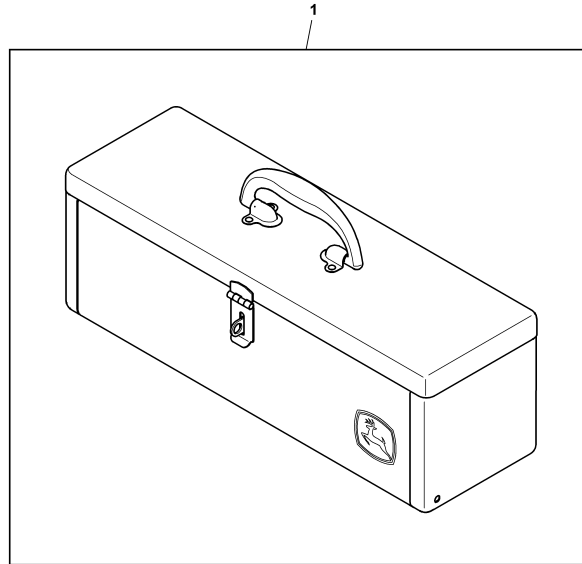


XG304259

Pos.	Artikel-Nr.	Benennung	Menge	Serial	No.
24	14M7168	NUT, METRIC, HEX PREVAILING TORQUE	1		
25	HXE45685	UNIVERSAL DRIVESHAFT, ALIGNMENT CLU	1		
26	M87259	LUBRICATION FITTING, ZERK, GREASE	1		
27	W36512	BEARING, SUPPORT BEARING	1		

**Attachment, Tool Box**

BXE10516

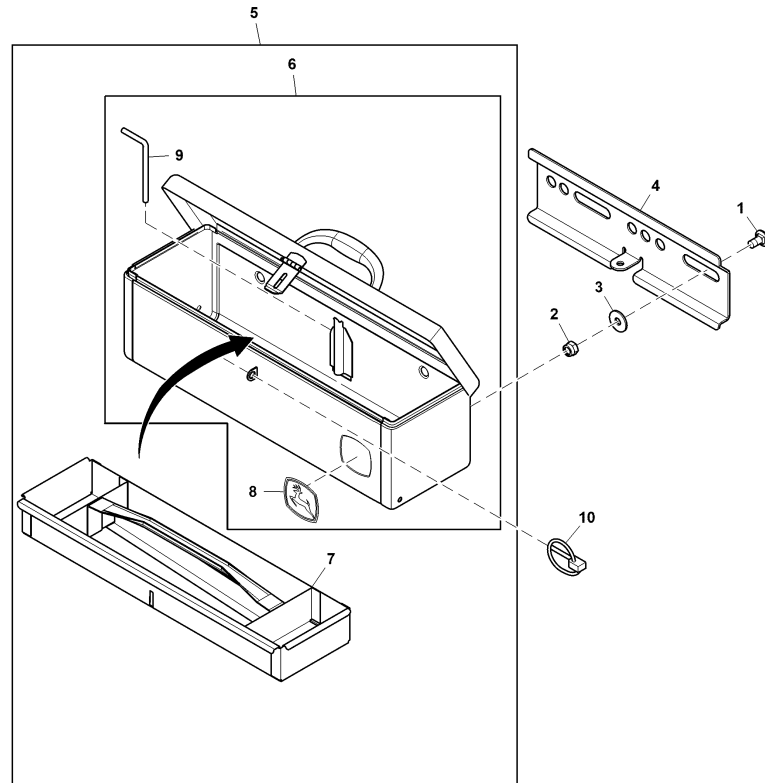


BXE10516

Pos.	Artikel-Nr.	Benennung	Menge	Serial	No.
1	BXE10516	TOOLBOX, TOOLBOX INCLUSIVE BRACKET	1		

**Tool Box**

XG298939



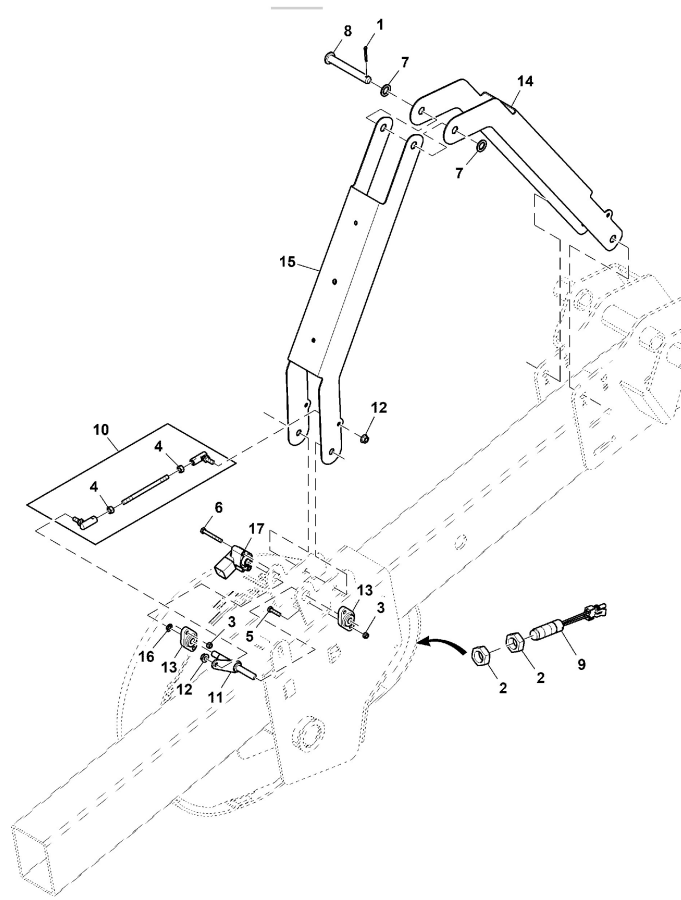
XG298939

Pos.	Artikel-Nr.	Benennung	Menge	Serial	No.
1	03M7190	BOLT, RD HD SQ SHORT NECK, METRIC	2		
2	14M7517	NUT, METRIC, HEX PREVAILING TORQUE	2		
3	24M7178	WASHER, METALLIC, ROUND HOLE	2		
4	L39119	BEAM, CARRIER, TOOL BOX	1		
5	RE275591	TOOLBOX, WITH TRAY	1		
6	RE275592	TOOLBOX, SHELL	1		
7	RE275593	TRAY, TOOL-BOX	1		
8	JD5720	EMBLEM, TRADEMARK, LEAPING DEER	1		
9	T23027	PIN, TOOL BOX MOUNTING LATCH	1		
10	M72598	PIN, LYNCH	1		

**Reel Fore and Aft Mounting, Center**

ETN99815G

ETN99815G

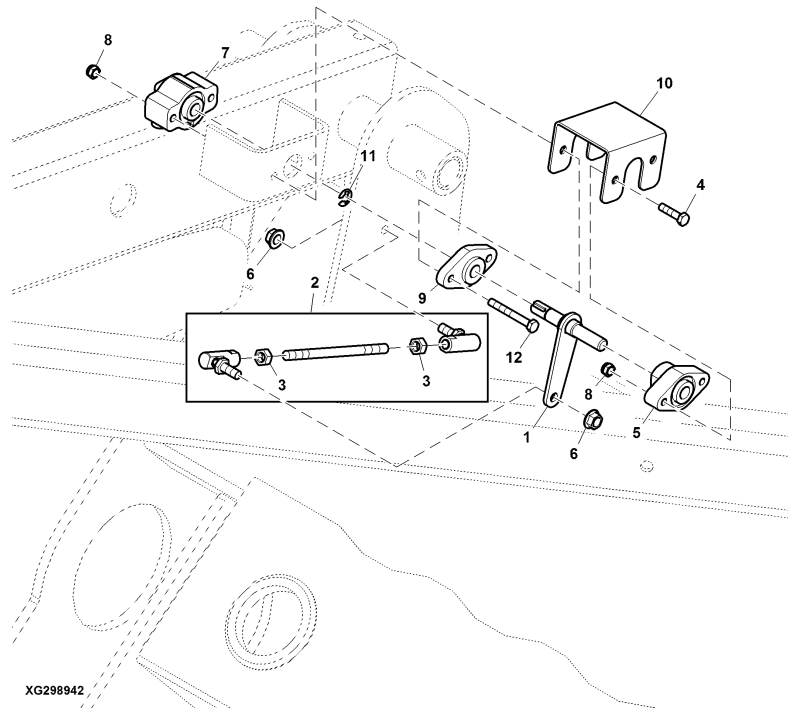


ETN99815G

Pos.	Artikel-Nr.	Benennung	Menge	Serial	No.
1	11M7059	Cotter Pin	1		
2	14H904	Nut	2		
3	14M7265	Lock Nut	4		
4	14M7272	Nut	2		
5	19M7373	Cap Screw	2		
6	19M7920	Cap Screw	2		
7	24M7044	Washer	2		
8	45M7045	Pin Fastener	1		
9	AH116104	Sensor	1		
10	AH164153	Tie Rod Assembly	1		
11	AXE66731	Arm	1		
12	H137327	LOCK NUT, FLANGE LOCKNUT, DEFLECTED	2		
13	H171404	Support	2		
14	HXE59981	Bracket	1		
15	HXE96744	Bracket	1		
16	R72653	Snap Ring	1		
17	RE336709	Sensor	1		

**Reel Height Sensor, RH**

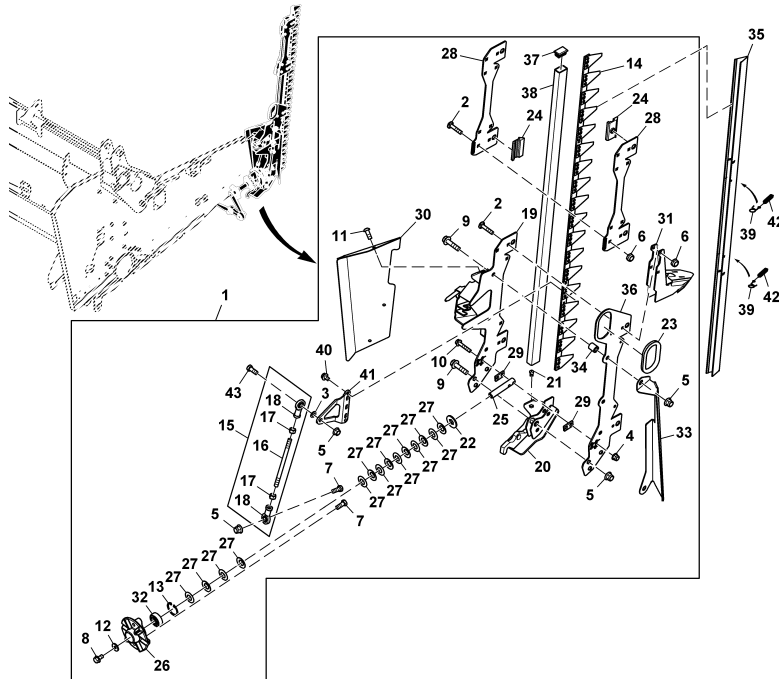
XG298942



Pos.	Artikel-Nr.	Benennung	Menge	Serial	No.
1	AXE48798	ARM, WELDASSEMBLY, ARM ROTARY SENSO	1		
2	AH164153	Tie Rod Assembly	1		
3	14M7272	Nut	2		
4	19M7373	Cap Screw	2		
5	R100686	SUPPORT, POSITION SENSOR SHAFT	1		
6	14M7397	NUT, METRIC, HEX FL, SELF LOCKING	2		
7	RE336709	Sensor	1		
8	14M7265	Lock Nut	4		
9	H171404	Support	1		
10	HXE85735	BRACKET, BRACKET ROTARY SENSOR REEL	1		
11	R72653	Snap Ring	1		
12	19M7920	Cap Screw	2		

**Side Knife, RH**

XG340697R2

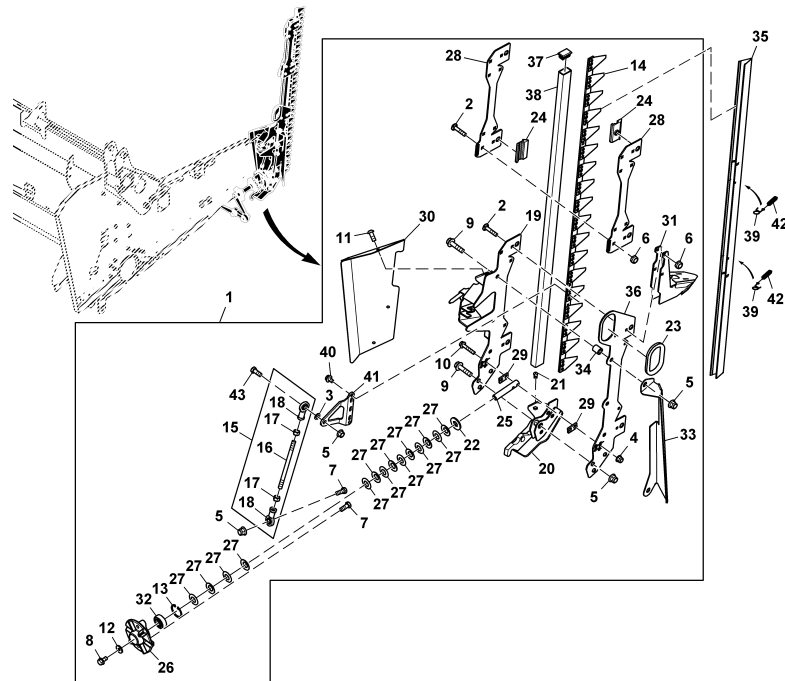


XG340697R2

Pos.	Artikel-Nr.	Benennung	Menge	Serial	No.
1	54368	SIDE KNIFE, RH, PF740	1		
2	03M7071	BOLT, RD HD SQ LONG NECK, METRIC	13		
3	24M7047	WASHER, METALLIC, ROUND HOLE	2		
4	14M7298	NUT, METRIC, HEX FLANGE	2		
5	14M7401	NUT, METRIC, HEX FL, SELF LOCKING	8		
6	14M7327	NUT, METRIC, HEX PREVAILING TORQUE	13		
7	19M7285	SCREW, HEX HEAD, METRIC	4		
8	19M7162	SCREW, HEX HEAD, METRIC	1		
9	19M8306	SCREW, FLANGED, METRIC	6		
10	19M8318	SCREW, FLANGED, METRIC	2		
11	21M7572	SCREW, HEX SKT BUTTON HD, METRIC	3		
12	24M7207	WASHER, METALLIC, ROUND HOLE	1		
13	40M1863	RING, INTERNAL SNAP	1		
14	54370	SIDE KNIFE, 18 KNIVES	2		
15	54960	LINK	2		
16	HXE66583	ROD, THREADED ROD SIDEKNIFE LINK	1		
17	14M7275	NUT, METRIC, HEX	2		
18	AXE43657	LINK END, M12 RH THREAD MAINTENANCE	2		
19	AXE52238	SUPPORT, ATTACHEMENT OF SIDEKNIFE R	1		
20	AXE43661	BRACKET, SIDEKNIFE ATTACHEMENT RH	1		
21	H162860	NUT, HEX THREADED INSERT M8 RIV-NUT	1		
22	H165874	WASHER	1		
23	H172261	GROMMET, TOP TUBE SHIELD	1		

**Side Knife, RH**

XG340697R2

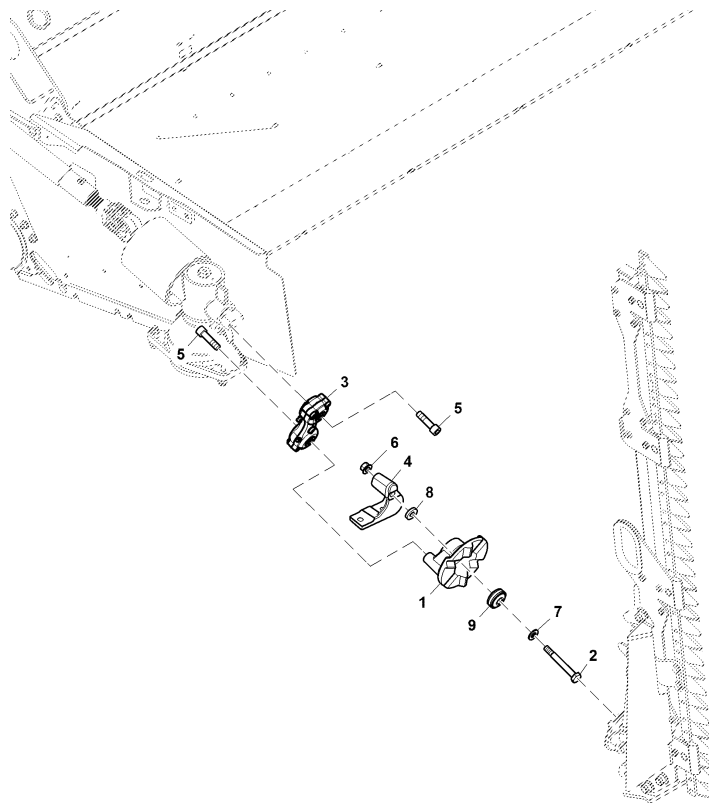


XG340697R2

Pos.	Artikel-Nr.	Benennung	Menge	Serial	No.
24	18343	GUIDE	8		
25	HXE112171	SHAFT, HEXSHAFT HARDENED	1		
26	HXE66352	CLUTCH, CASTED SIDEKNIFE CLUTCH	1		
27	HXE74606	DISK SPRING, DISK SPRING	14		
28	HXE74974	BRACKET, SIDEKNIFE GUIDE CLAMP	2		
29	HXE74984	ISOLATOR, RUBBERSPACER SIDEKNIFE	2		
30	HXE75053	COVER, INSIDECOVER SIDEKNIFE LH	1		
31	54856	CROP DEVIDER	1		
32	AXE46545	BALL BEARING, CYLINDRICAL OUTER / H	1		
33	54308	GUARD ST, RIGHT OUTSIDE	1		
34	Z38274	SPACER	3		
35	18350	GUARD	1		
36	HXE74604	BRACKET, SIDEKNIFE FIXING BRACKET	1		
37	HXE63021	PLUG, RECTANGULAR PLUG 25X40	1		
38	HXE74970	SUPPORT, SIDEKNIFE CUTTERBAR	1		
39	Z32078	HOLDER	2		
40	19M9294	SCREW, SCREW, SCREW, FLANGED, METRI	4		
41	HXE99858	LINK, SIDEKNIFE DRIVE MECHANICS	2		
42	Z25462	EXTENSION SPRING, EXTENSION SPRING	2		
43	19M7744	SCREW, HEX HEAD, METRIC	2		

**Clutch, Side Knife, RH**

XG298944

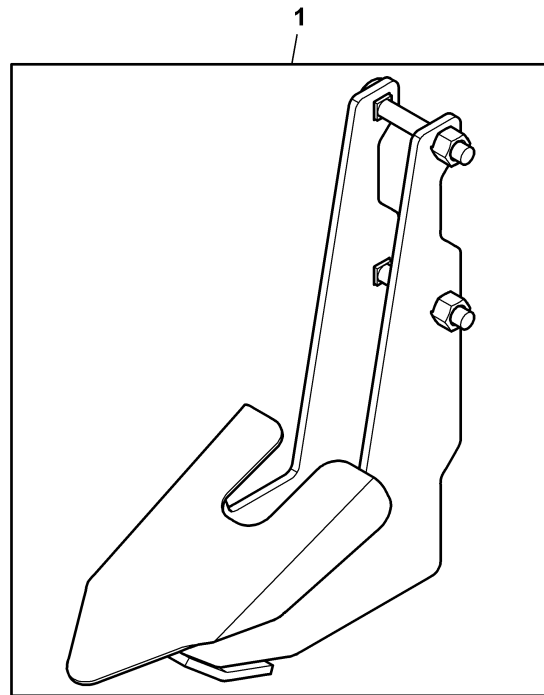


XG298944

Pos.	Artikel-Nr.	Benennung	Menge	Serial	No.
1	HXE75151	CLUTCH, SIDEKNIFE CLUTCH	1		
2	HXE90089	SCREW, FIT BOLT M12 X 105 10.9	1		
3	AXE57146	CONNECTING ROD, SIDEKNIFE DRIVE CON	1		
4	HXE79490	SUPPORT, SIDEKNIFE REAR CLUTCH SUPP	1		
5	HXE105371	SCREW, HEX SCREW /W ADHESIVE M12 X	2		
6	14M7401	NUT, METRIC, HEX FL, SELF LOCKING	1		
7	24M7044	Washer	1		
8	24M7478	WASHER, METALLIC, ROUND HOLE	1		
9	AXE43734	BALL BEARING, FOUR POINT BEARING TW	1		

**Attachment, Crop Side Knife Divider**

BXE10530

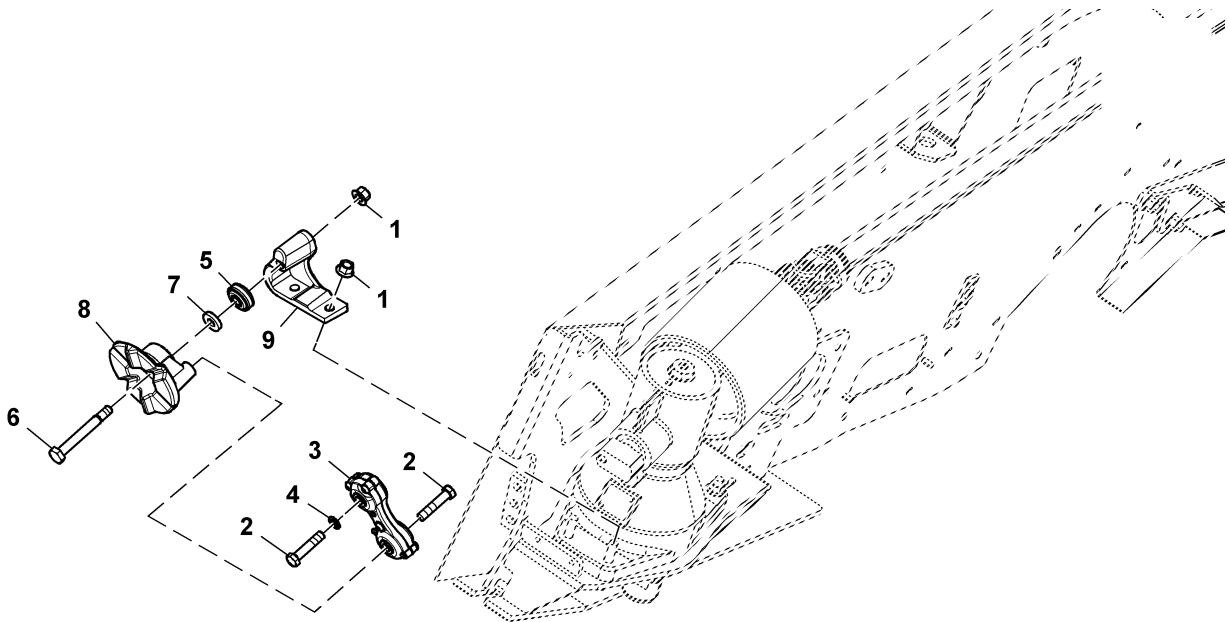


BXE10530

Pos.	Artikel-Nr.	Benennung	Menge	Serial	No.
1	54856	CROP DEVIDER	1		

**Clutch, Side Knife, LH**

XG327555

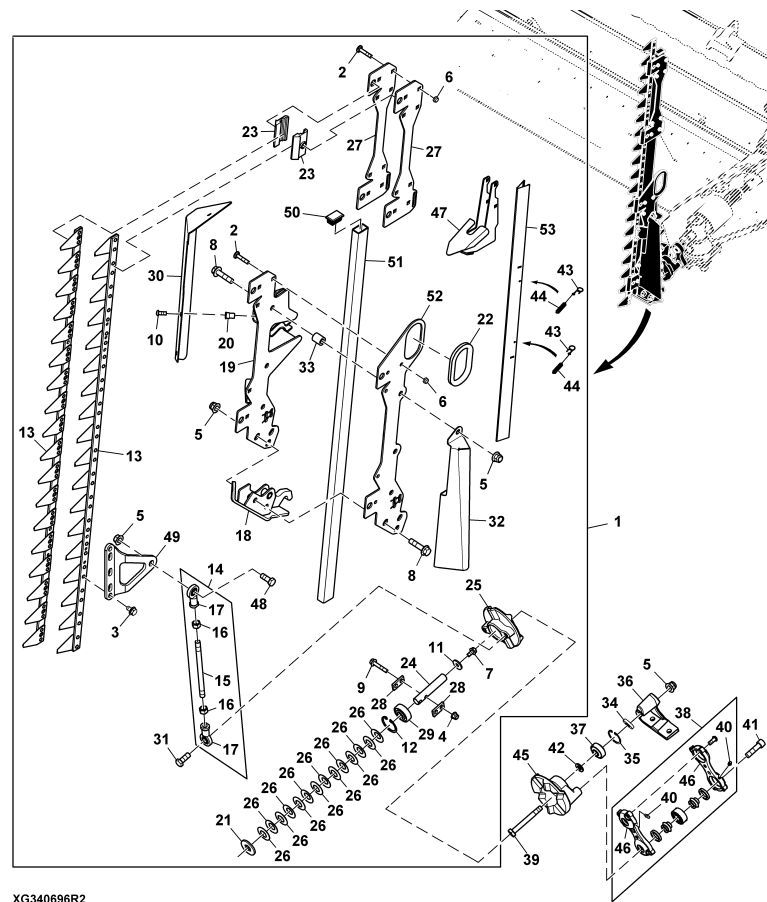


XG327555

Pos.	Artikel-Nr.	Benennung	Menge	Serial	No.
1	H137329	LOCK NUT, FLANGE LOCKNUT, DEFLECTED	1		
2	HXE105371	SCREW, HEX SCREW /W ADHESIVE M12 X	2		
3	AXE57146	CONNECTING ROD, SIDEKNIFE DRIVE CON	1		
4	24M7044	Washer	1		
5	AXE43734	BALL BEARING, FOUR POINT BEARING TW	1		
6	HXE90089	SCREW, FIT BOLT M12 X 105 10.9	1		
7	24M7478	WASHER, METALLIC, ROUND HOLE	1		
8	HXE75151	CLUTCH, SIDEKNIFE CLUTCH	1		
9	HXE79489	SUPPORT, SIDEKNIFE REAR CLUTCH SUPP	1		

**Side Knife, LH**

XG340696R2

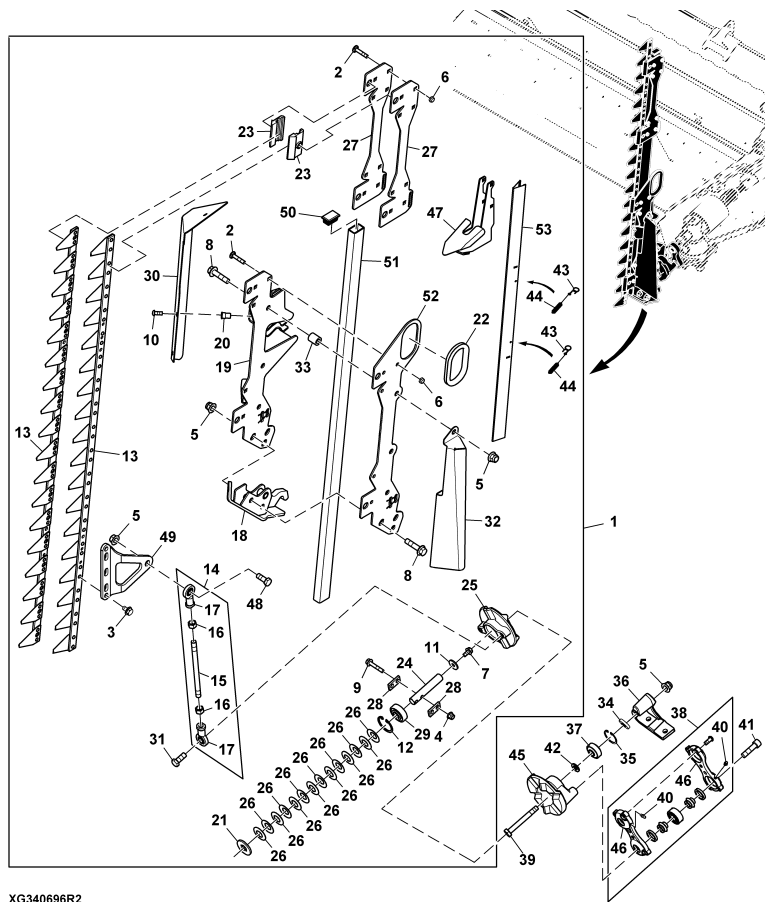


XG340696R2

Pos.	Artikel-Nr.	Benennung	Menge	Serial	No.
1	54367	SIDE KNIVES, LEFT, 700PF	1		
2	03M7071	BOLT, RD HD SQ LONG NECK, METRIC	13		
3	19M9294	SCREW, SCREW, SCREW, FLANGED, METRI	4		
4	14M7298	NUT, METRIC, HEX FLANGE	2		
5	14M7401	NUT, METRIC, HEX FL, SELF LOCKING	8		
6	14M7327	NUT, METRIC, HEX PREVAILING TORQUE	9		
7	19M7162	SCREW, HEX HEAD, METRIC	1		
8	19M8306	SCREW, FLANGED, METRIC	6		
9	19M8318	SCREW, FLANGED, METRIC	2		
10	21M7572	SCREW, HEX SKT BUTTON HD, METRIC	3		
11	24M7207	WASHER, METALLIC, ROUND HOLE	1		
12	40M1863	RING, INTERNAL SNAP	1		
13	54370	SIDE KNIFE, 18 KNIVES	2		
14	54960	LINK	2		
15	HXE66583	ROD, THREADED ROD SIDEKNIFE LINK	2		
16	14M7275	NUT, METRIC, HEX	4		
17	AXE43657	LINK END, M12 RH THREAD MAINTENANCE	8		
18	AXE43410	BRACKET, SIDEKNIFE ATTACHEMENT	1		
19	AXE52237	SUPPORT, ATTACHEMENT OF SIDEKNIFE L	1		
20	H162860	NUT, HEX THREADED INSERT M8 RIV-NUT	1		
21	H165874	WASHER	1		
22	H172261	GROMMET, TOP TUBE SHIELD	1		
23	18343	GUIDE	8		

**Side Knife, LH**

XG340696R2

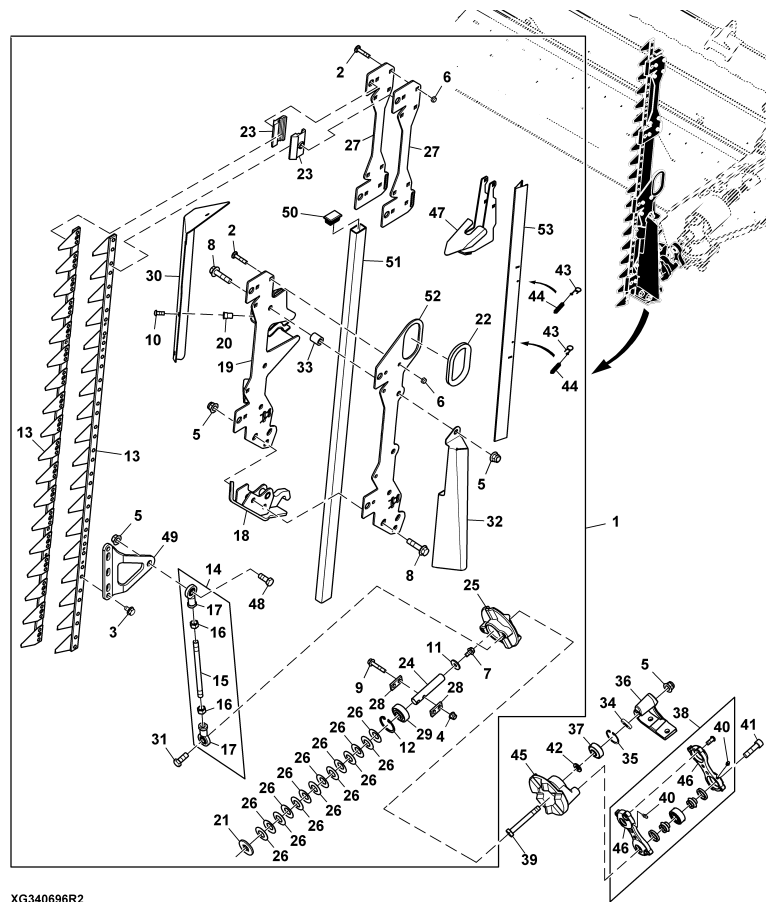


XG340696R2

Pos.	Artikel-Nr.	Benennung	Menge	Serial	No.
24	HXE112171	SHAFT, HEXSHAFT HARDENED	1		
25	HXE66352	CLUTCH, CASTED SIDEKNIFE CLUTCH	1		
26	HXE74606	DISK SPRING, DISK SPRING	14		
27	HXE74974	BRACKET, SIDEKNIFE GUIDE CLAMP	2		
28	HXE74984	ISOLATOR, RUBBERSPACER SIDEKNIFE	2		
29	AXE46545	BALL BEARING, CYLINDRICAL OUTER / H	1		
30	HXE75044	COVER, INSIDECOVER SIDEKNIFE LH	1		
31	19M7285	SCREW, HEX HEAD, METRIC	2		
32	54306	GUARD ST, LEFT OUTSIDE	1		
33	Z38274	SPACER	3		
34	24M7478	WASHER, METALLIC, ROUND HOLE	1		
35	40M7258	RING	1		
36	HXE79489	SUPPORT, SIDEKNIFE REAR CLUTCH SUPP	1		
37	AXE43734	BALL BEARING, FOUR POINT BEARING TW	1		
38	AXE57146	CONNECTING ROD, SIDEKNIFE DRIVE CON	1		
39	HXE90089	SCREW, FIT BOLT M12 X 105 10.9	1		
40	58M5573	FITTING, LUBRICANT, METRIC, CONE HD	1		
41	HXE105371	SCREW, HEX SCREW /W ADHESIVE M12 X	2		
42	24M7044	Washer	1		
43	Z32078	HOLDER	2		
44	Z25462	EXTENSION SPRING, EXTENSION SPRING	2		
45	HXE75151	CLUTCH, SIDEKNIFE CLUTCH	1		
46	HXE101067	CONNECTING ROD, CONNECTION	2		

**Side Knife, LH**

XG340696R2

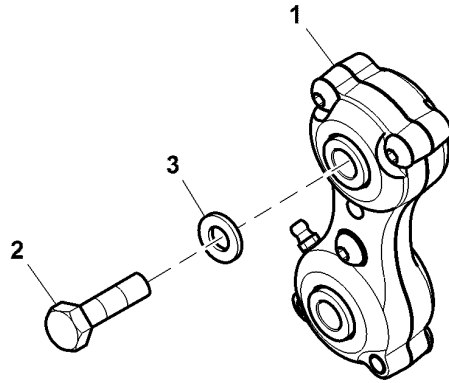


XG340696R2

Pos.	Artikel-Nr.	Benennung	Menge	Serial	No.
47	54856	CROP DIVIDER	1		
48	19M7744	SCREW, HEX HEAD, METRIC	2		
49	HXE99858	LINK, SIDEKNIFE DRIVE MECHANICS	2		
50	18359	PLUG	1		
51	HXE74970	SUPPORT, SIDEKNIFE CUTTERBAR	1		
52	HXE74604	BRACKET, SIDEKNIFE FIXING BRACKET	1		
53	18350	GUARD	1		

**Crank Kit**

XG298946

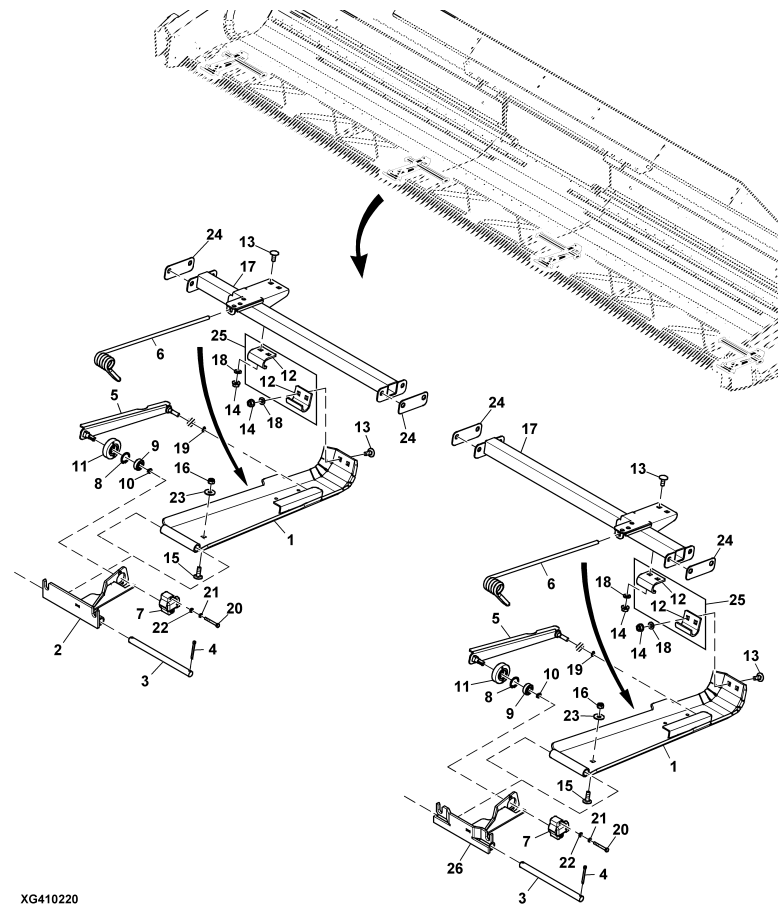


XG298946

Pos.	Artikel-Nr.	Benennung	Menge	Serial	No.
1	AXE57146	CONNECTING ROD, SIDEKNIFE DRIVE CON	1		
2	HXE105371	SCREW, HEX SCREW /W ADHESIVE M12 X	2		
3	24M7044	Washer	1		

**Auto Header Height Control Sensors ( - 021257)**

XG410220

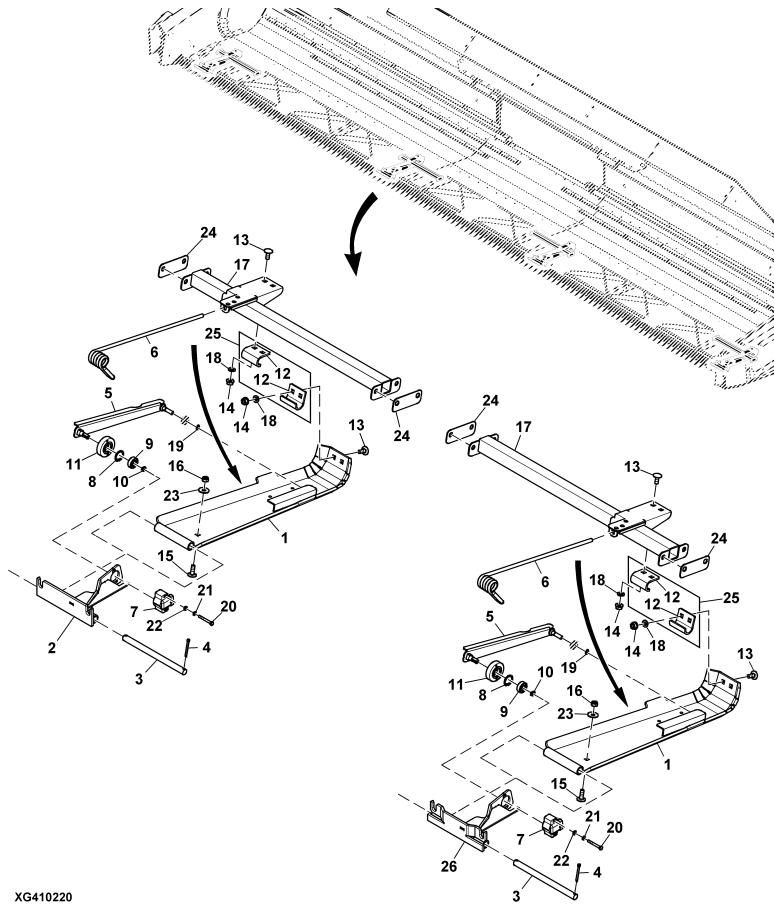


XG410220

Pos.	Artikel-Nr.	Benennung	Menge	Serial	No.
1	53976	ASSEMBLY, SENSING SKID, G2	4		
2	53973	BRACKET	2		
3	54226	SHAFT, SENSING SKID, G2	4		
4	70306	PIN DIN94 4X36	8		
5	54512	LEVER, SENSOR, MY18	4		
6	51042	SPRING, SKID PLATE	4		
7	AXE57294	SENSOR, SENSOR, HALL EFFECT 84 DEG	4		
8	70599	RING	4		
9	093578	BEARING	9		
10	093683	LOCKING RING DIN471 10X1, 0	4		
11	53977	BRACKET, POTI	4		
12	HXE65807	BRACKET, BELT GUIDE	8		
13	70511	LOCK SCREW DIN603 M8X20	16		
14	70005	SIMILAR DIN 6923 RATCHET TOOTHED NU	16		
15	093290	SCREW	4		
16	70103	DIN 985 HEXAGON NUT M8, BLUE	4		
17	54919	SUPPORT	4		
18	70109	DIN125 FLAT WASHER 8,4 MM, YELLOW	16		
19	093932	LOCKING RING DIN471 8X0, 8	4		
20	093931	HEXAGONAL SCREW DIN931 M5X40	8		
21	093930	SPRING WASHER DIN127 A5	8		
22	70073	WASHER DIN125 A5	8		
23	092531	WASHER	4		

**Auto Header Height Control Sensors ( - 021257)**

XG410220

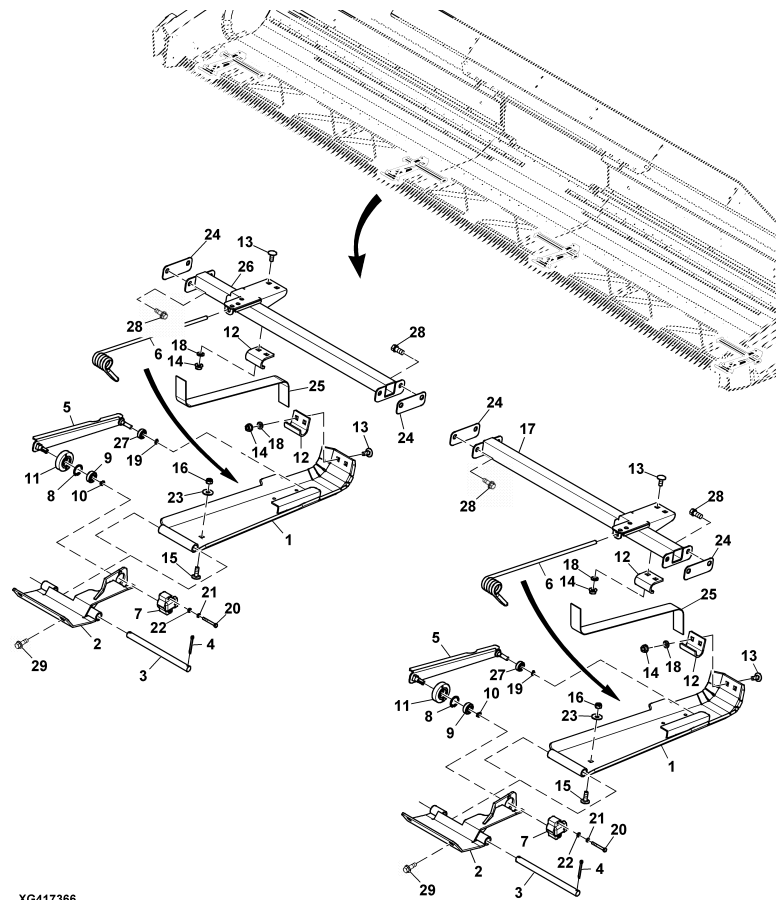


XG410220

Pos.	Artikel-Nr.	Benennung	Menge	Serial	No.
24	54479	PLATE	8		
25	53836	STRAP	4		
26	54992	BRACKET	2		

**Auto Header Height Control Sensors ( 021258 - )**

XG417366

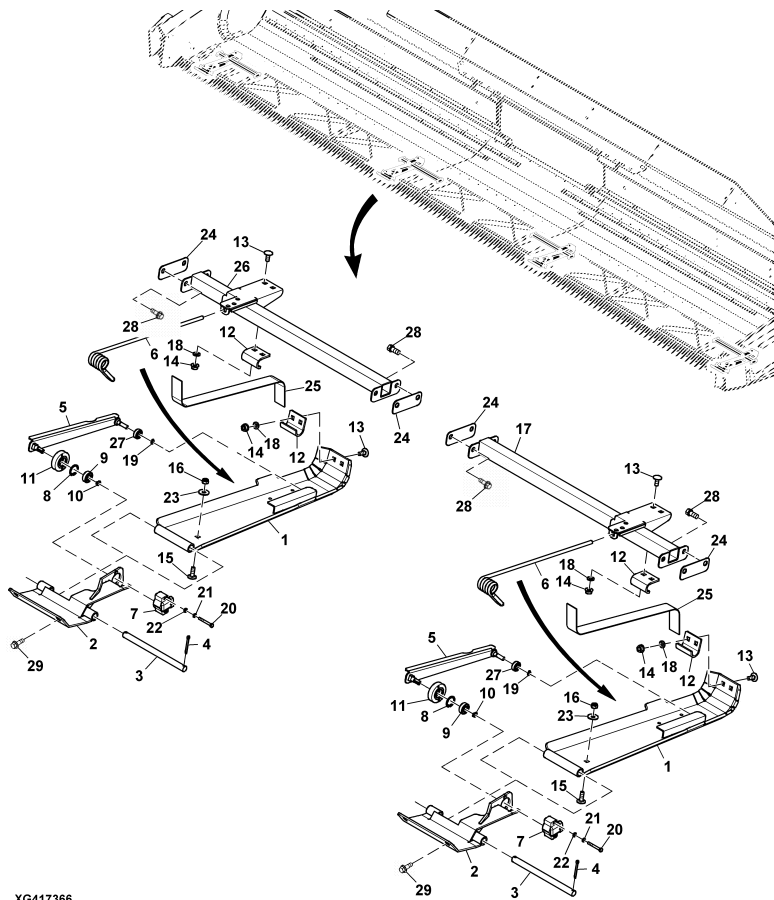


XG417366

Pos.	Artikel-Nr.	Benennung	Menge	Serial	No.
1	53976	ASSEMBLY, SENSING SKID, G2	4		
2	53981	BRACKET ASSEMBLY G2, SENSING SKID,	4		
3	54226	SHAFT, SENSING SKID, G2	4		
4	70306	PIN DIN94 4X36	8		
5	54512	LEVER, SENSOR, MY18	4		
6	51042	SPRING, SKID PLATE	4		
7	AXE57294	SENSOR, SENSOR, HALL EFFECT 84 DEG	4		
8	70599	RING	4		
9	093578	BEARING	9		
10	093683	LOCKING RING DIN471 10X1, 0	4		
11	53977	BRACKET, POTI	4		
12	HXE65807	BRACKET, BELT GUIDE	8		
13	70511	LOCK SCREW DIN603 M8X20	16		
14	70005	SIMILAR DIN 6923 RATCHET TOOTHED NU	16		
15	093290	SCREW	4		
16	70103	DIN 985 HEXAGON NUT M8, BLUE	4		
17	54259	SUPPORT, SENSING SKID, LEFT	2		
18	70109	DIN125 FLAT WASHER 8,4 MM, YELLOW	16		
19	093932	LOCKING RING DIN471 8X0, 8	4		
20	093931	HEXAGONAL SCREW DIN931 M5X40	8		
21	093930	SPRING WASHER DIN127 A5	8		
22	70073	WASHER DIN125 A5	8		
23	092531	WASHER	4		

**Auto Header Height Control Sensors ( 021258 - )**

XG417366

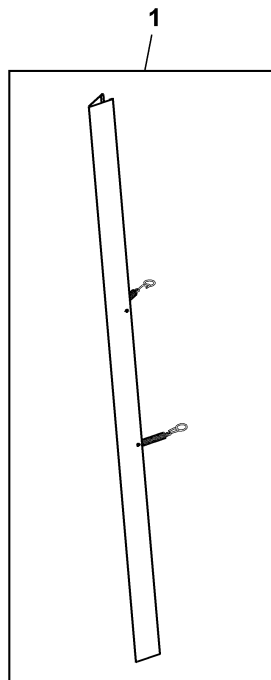


XG417366

Pos.	Artikel-Nr.	Benennung	Menge	Serial	No.
24	54479	PLATE	8		
25	53836	STRAP	4		
26	54325	SUPPORT, SENSING SKID, RIGHT	2		
27	093880	BEARING	4		
28	70047	RATCHET TOOTHED SCREW M10X25 YELLOW	16		
29	70043	RATCHET TOOTHED SCREW M8X16 YELLOW	8		

**Attachment, Side Knife Protection Guard**

BXE10518

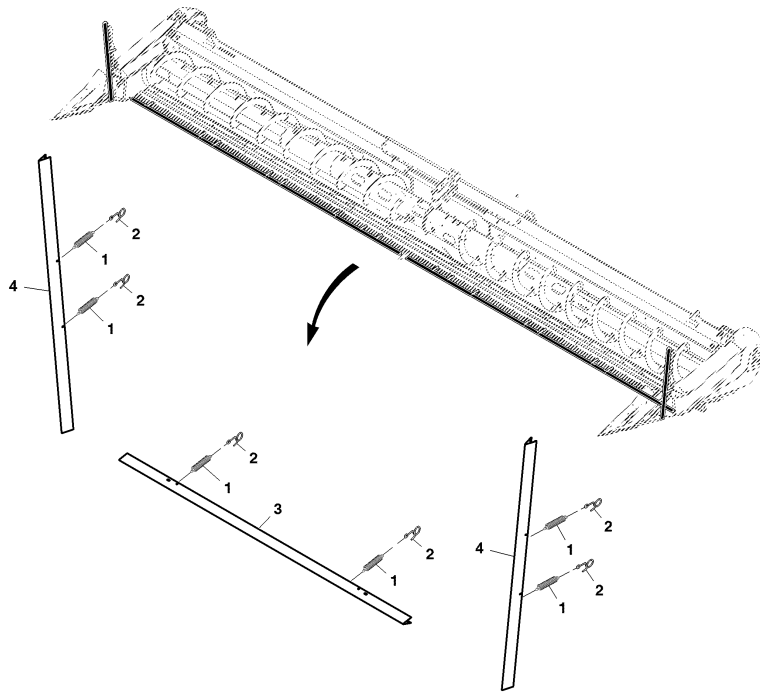


BXE10518

Pos.	Artikel-Nr.	Benennung	Menge	Serial	No.
1	BXE10518	GUARD, SIDEKNIFE PROTECTION SLAT	1		

**Knife Guards**

XG298948

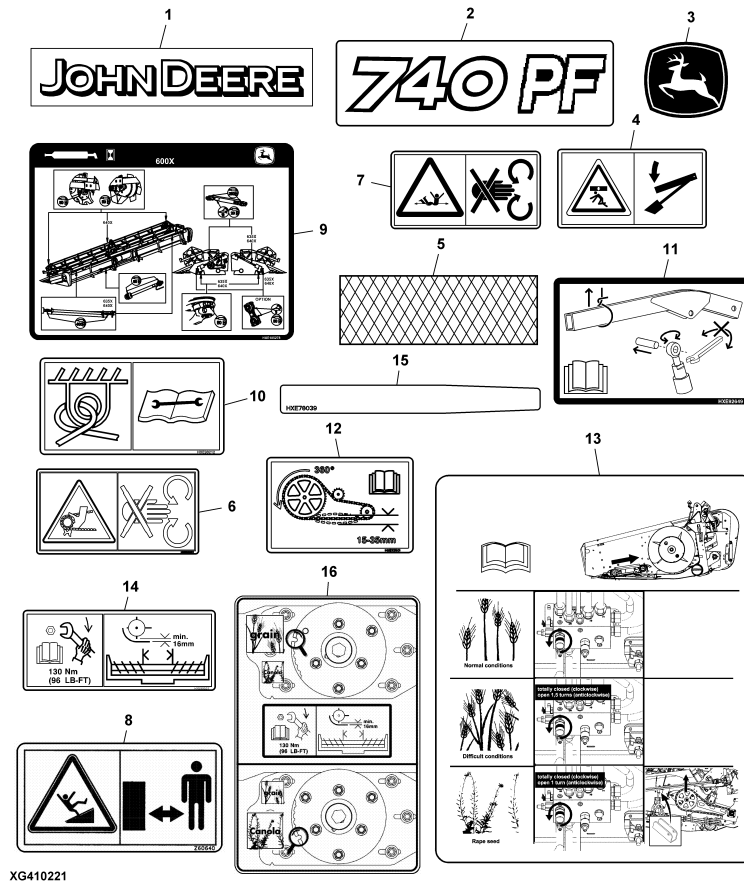


XG298948

Pos.	Artikel-Nr.	Benennung	Menge	Serial	No.
1	Z25462	EXTENSION SPRING, EXTENSION SPRING	20		
2	Z32078	HOLDER	20		
3	Z47925	GUARD	6		
4	HXE79491	GUARD, SIDEKNIFE COVER	4		

Decals ( - 21319)

XG410221

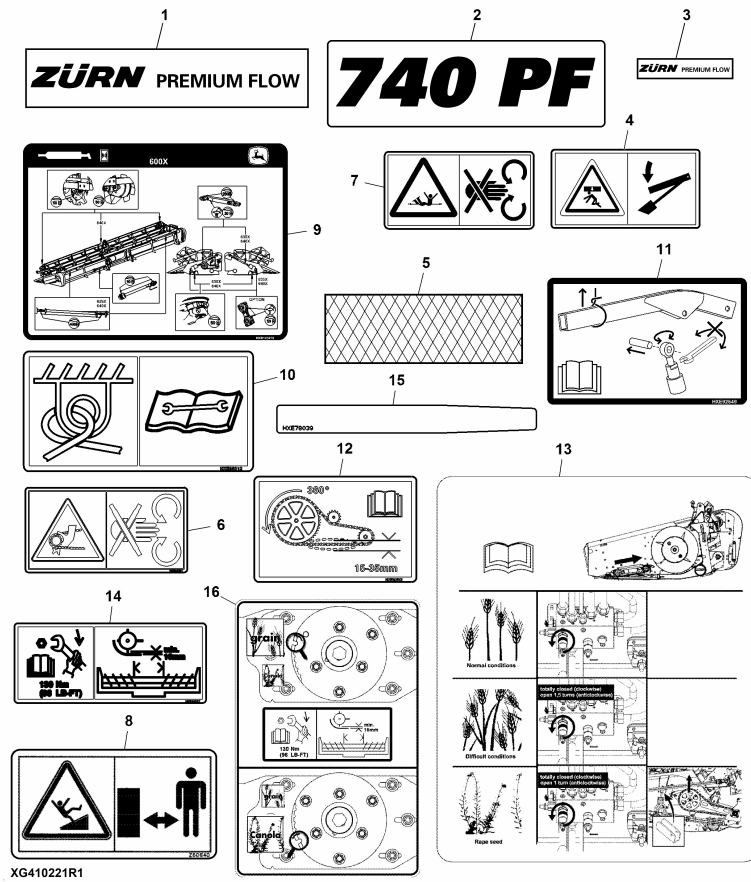


XG410221

Pos.	Artikel-Nr.	Benennung	Menge	Serial	No.
1	H201543	LABEL, JOHN DEERE - 50MM HIGH	2		
2	54589	DECAL 40FT	2		
3	JD5706	LABEL, TRADEMARK, LEAPING DEER	2		
4	Z102869	LABEL, LABEL	2		
5	Z42149	LABEL, LABEL	1		
6	Z60325	LABEL, LABEL	2		
7	Z60639	LABEL, DECAL.SECURITE GARANT TRANSM	1		
8	Z60640	LABEL, LABEL	2		
9	53800	LABEL	1		
10	HXE90212	LABEL, TIE DOWN POINT DECAL	4		
11	HXE92649	LABEL, REEL HEIGHT ADJUSTMENT INSTR	1		
12	HXE113501	LABEL, 600R&X CHAIN TENSION DECAL	1		
13	54515	LABEL, BELT SPEED	1		
14	HXE99587	LABEL, AUGER TIMING BOLT TORQUE DEC	1		
15	HXE78039	LABEL, SAFETYLABEL FOR SAFETYSTOP	1		
16	54762	DECAL	1		

Decals ( 21320 -)

XG410221R1

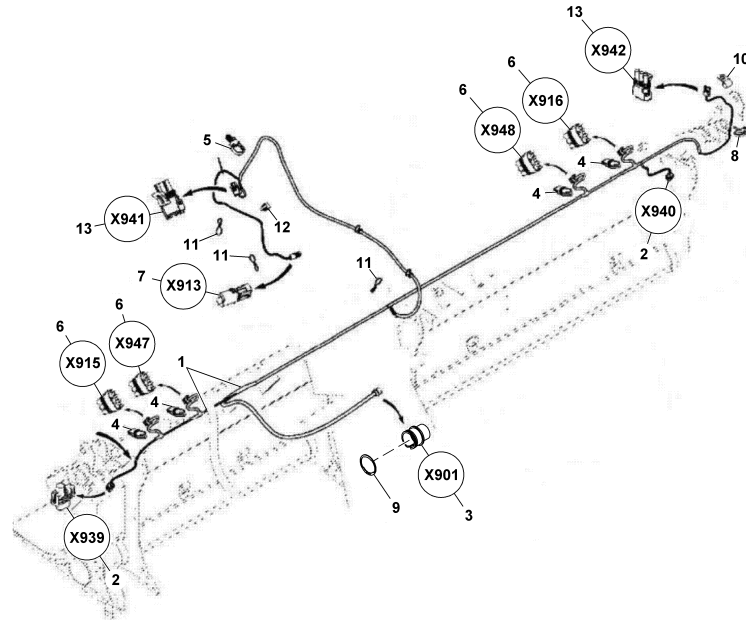


XG410221R1

Pos.	Artikel-Nr.	Benennung	Menge	Serial	No.
1	54841	LABEL	2		
2	54847	DECAL 40FT	2		
3	54842	LABEL, TRADEMARK	2		
4	Z102869	LABEL, LABEL	2		
5	Z42149	LABEL, LABEL	1		
6	Z60325	LABEL, LABEL	2		
7	Z60639	LABEL, DECAL.SECURITE GARANT TRANSM	1		
8	Z60640	LABEL, LABEL	2		
9	53800	LABEL	1		
10	HXE90212	LABEL, TIE DOWN POINT DECAL	4		
11	HXE92649	LABEL, REEL HEIGHT ADJUSTMENT INSTR	1		
12	HXE113501	LABEL, 600R&X CHAIN TENSION DECAL	1		
13	54515	LABEL, BELT SPEED	1		
14	HXE99587	LABEL, AUGER TIMING BOLT TORQUE DEC	1		
15	HXE78039	LABEL, SAFETYLABEL FOR SAFETYSTOP	1		
16	54762	DECAL	1		

**Main Wiring Harness (1 of 2)**

XG410222

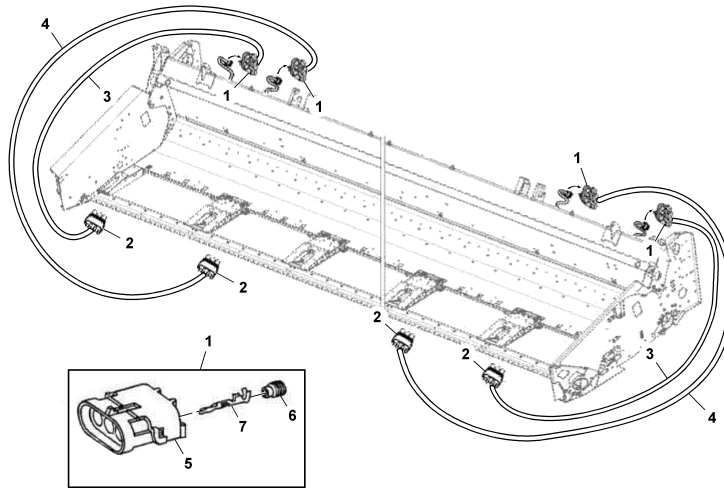


XG410222

Pos.	Artikel-Nr.	Benennung	Menge	Serial	No.
1	53749	WIRING HARNESS	1		
2	57M7344	PACKARD MP280 2 WAY CONNECTOR	2		
3	57M11904	CONN MOLEX 31W MS NAT PLSTC	1		
4	57M10362	CLAMP TYTON CABLE TIE BLK PA66HS	4		
5	57M10233	DELPHI CLIP HEAD WIRE TIE BLK NYLON	6		
6	RE12364	ELECTRICAL CONNECTOR ASSY, THREE WA	4		
7	R78053	ELECTRICAL CONNECTOR ASSY, CONNECTO	1		
8	AH225365	CLIP, EDGE SIDE CABLE TIE MOUNT	1		
9	H175880	SNAP RING, SNAP RING,EXTERNAL	1		
10	H75541	CLIP-INSULATED	1		
11	57M10421	ACCY TYTON WIRE TIE BLACK NYLON	10		
12	AT409841	TIE BAND, WIRE TIE	1		
13	57M9786	TYCO AMPSEAL16 6W RCPT SLD RED PLST	2		

**Main Wiring Harness (2 of 2)**

XG304266

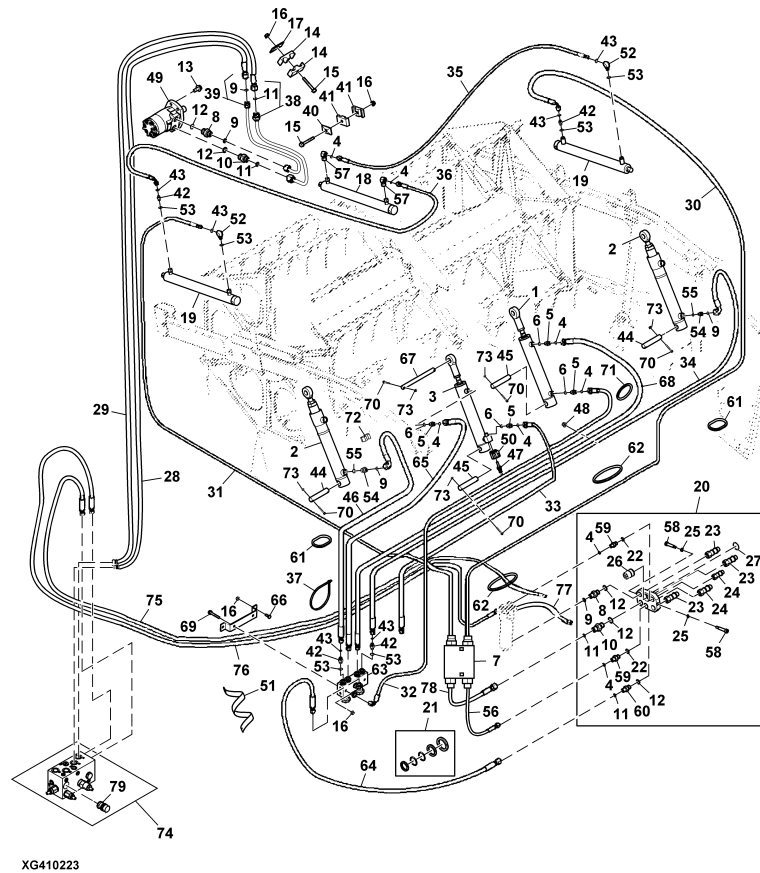


XG304266

Pos.	Artikel-Nr.	Benennung	Menge	Serial	No.
1	RE12332	CONNECT,THREE WAY SHROUD,W/PINS(PTS	4		
2	RE12364	ELECTRICAL CONNECTOR ASSY, THREE WA	4		
3	53864	WIRING HARNESS, L = 4500 MM	2		
4	53865	WIRING HARNESS, L = 8500 MM	2		
5	R78054	ELECTRICAL CONNECTOR ASSY, THREE WA	4		
6	R78063	ELEC. CONNECTOR SEAL	4		
7	E78061	CARTON, CASCADED CORRUGATED	4		

Hydraulic Valve, Hoses and Reel Lift Slave Cylinders

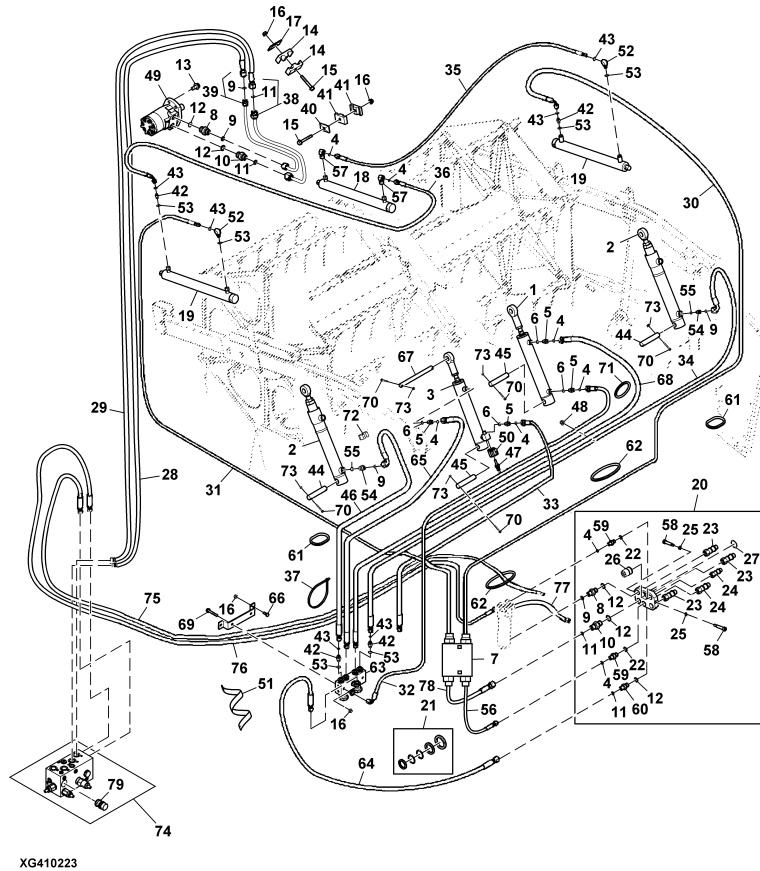
XG410223



Pos.	Artikel-Nr.	Benennung	Menge	Serial	No.
1	AXE47472	HYDRAULIC CYLINDER, REEL LIFT MASTE	1		
2	AXE32960	HYDRAULIC CYLINDER, SLAVE CYLINDER	2		
3	AXE47473	HYDRAULIC CYLINDER, REEL LIFT MASTE	1		
4	T77613	O-RING, O-RING	10		
5	38H5012	STUD STRAIGHT (SDS), ORFS	4		
6	51M7043	O RING, JDS-G173 M18 STUD	4		
7	AXE52822	CHECK VALVE, REEL FORE/AFT PO CHECK	1		
8	38H1174	ADAPTER,O-RING FSF	2		
9	T77857	O-RING, O-RING	5		
10	38H1162	ADAPTER,O-RING FSF	2		
11	T77932	O-RING, O-RING	4		
12	R26906	O-RING, PACKING O-RING-PUR	5		
13	19M7788	SCREW, FLANGED, METRIC	4		
14	H122772	CLAMP-TWIN 7/8INX7/8IN OD TUBING	4		
15	19M7801	SCREW, FLANGED, METRIC	3		
16	14M7298	NUT, METRIC, HEX FLANGE	7		
17	H112567	PLATE - COVER TWIN CLAMP GROUP 3	2		
18	AHC14009	HYDRAULIC CYLINDER, 40X25-450,574 (	1		
19	AHC14008	HYDRAULIC CYLINDER, 40X25-450,574 (	2		
20	AH166991	COUPLING, MULTI - COUPLER, MOBILE P	1		
21	AH225673	KIT, SEAL 1/2 CARTRIDGE	3		
22	R26375	O-RING, PACKING, -O- RING	2		
23	AH225669	HYDR.QUICK COUPLER SOCKET, COUPLER,	3		

**Hydraulic Valve, Hoses and Reel Lift Slave Cylinders**

XG410223

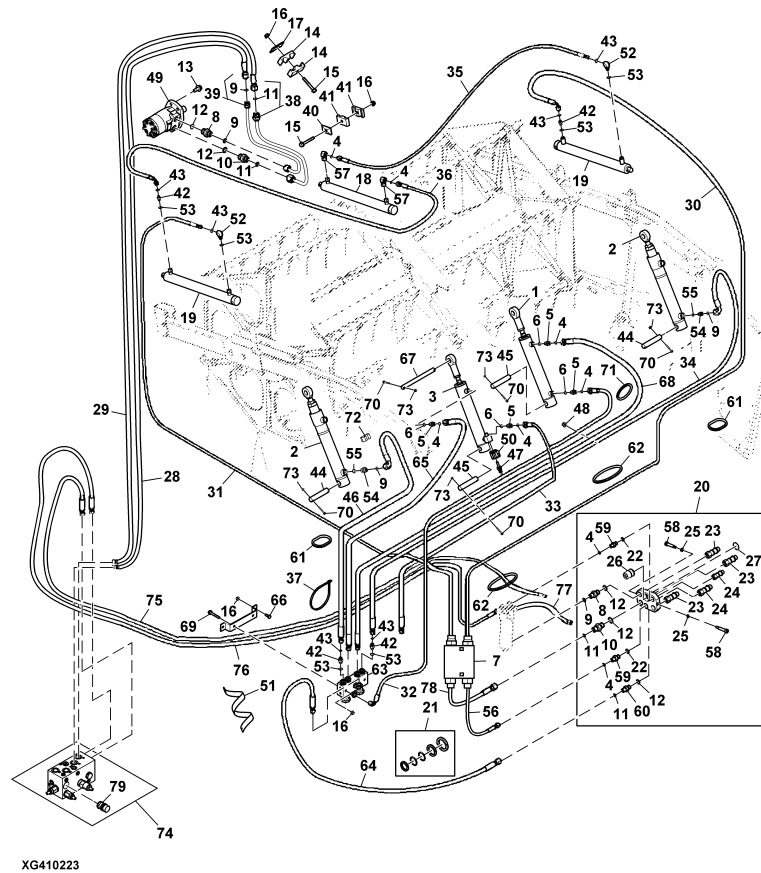


XG410223

Pos.	Artikel-Nr.	Benennung	Menge	Serial	No.
24	AH225668	HYDR.QUICK COUPLER SOCKET, COUPLER,	2		
25	H178181	RING, SNAP COUPLER, 1/2" FLUSH FACE	5		
26	AH168765	CONNECTOR BODY, PIN CONTACT,31 PIN	1		
27	H175880	SNAP RING, SNAP RING,EXTERNAL	1		
28	54996	HYDRAULIC HOSE	1		
29	54995	HYDRAULIC HOSE	1		
30	53863	HYDRAULIC HOSE	1		
31	53862	HYDRAULIC HOSE	1		
32	52831	HYDRAULIC HOSE	1		
33	52830	HYDRAULIC HOSE	1		
34	53630	HYDRAULIC HOSE	1		
35	52839	HYDRAULIC HOSE	1		
36	52861	HYDRAULIC HOSE	1		
37	N189220	TIE BAND	2		
38	AXE38217	OIL LINE, REEL HYDRAULIC MOTOR	1		
39	AXE38216	OIL LINE, REEL HYDRAULIC MOTOR	1		
40	H121168	PLATE	1		
41	H135156	CLAMP, TWIN 1/2 X 1/2	2		
42	38H1168	ADAPTER,O-RING FSF	4		
43	T77814	O-RING, O-RING	6		
44	HXE87694	PIN, PIN REEL ARM 600X	2		
45	53884	PIN	2		
46	53629	HYDRAULIC HOSE	1		

**Hydraulic Valve, Hoses and Reel Lift Slave Cylinders**

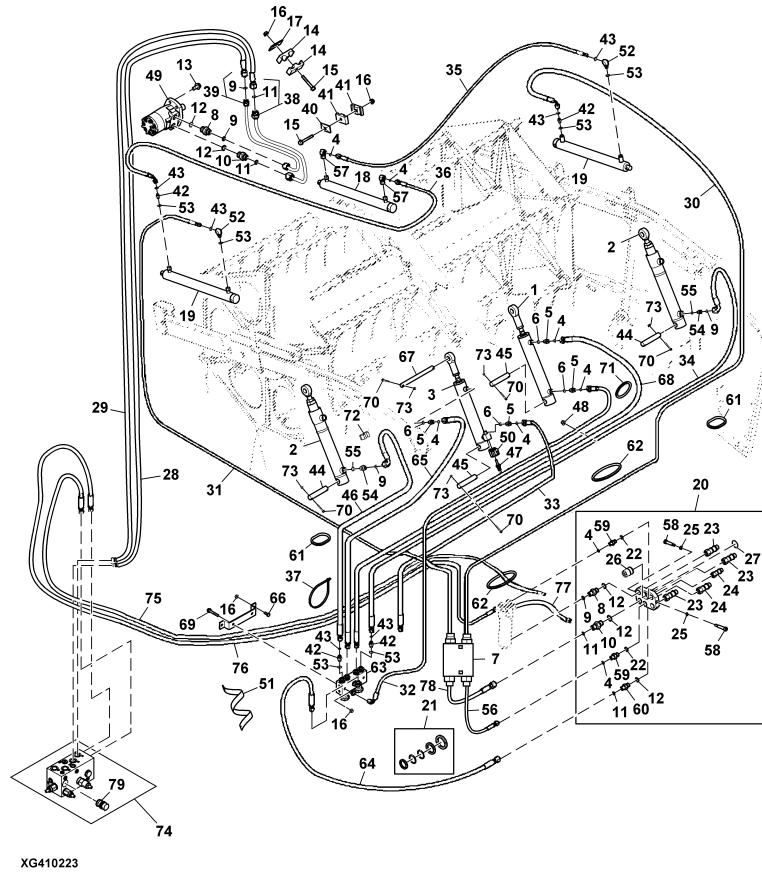
XG410223



Pos.	Artikel-Nr.	Benennung	Menge	Serial	No.
47	AH222444	SOLENOID HYDRAULIC VALVE, REEL F/ A	1		
48	14M7396	NUT, METRIC, HEX FL, SELF LOCKING	2		
49	AH226242	HYDRAULIC MOTOR, REEL DRIVE 11.9 CI	1		
50	AH228044	SOLENOID VALVE COIL-12 V-DEUTSCH	1		
51	Z76590	HOSE GUARD	3		
52	38H1009	ELBOW, 90 DEG. O-RING FSF	2		
53	R26448	O-RING, O-RING PACKING	6		
54	38H5076	STUD STRAIGHT (SDS), ORFS	2		
55	51M7045	O RING, JDS-G173 M22 STUD	2		
56	54319	HOSE	1		
57	38H1094	90 DEG SWIVEL ELBOW (SWE) ORFS	2		
58	H202071	BEARING, BUSHING, MULTI-COUPLER, MOB	2		
59	38H1171	ADAPTER, O-RING FSF	3		
60	38H1172	ADAPTER, O-RING FSF	2		
61	HXE73919	GROMMET, TOP RAIL GROMMET	2		
62	HXE73920	GROMMET, TOP RAIL GROMMET	4		
63	AXE13888	VALVE, VIPER REEL REPHASING	1		
64	52793	HYDRAULIC HOSE	1		
65	52829	HYDRAULIC HOSE	1		
66	19M7139	SCREW, HEX HEAD, METRIC	2		
67	53339	PIN, 640PF	4		
68	52828	HYDRAULIC HOSE	1		
69	19M7979	SCREW, FLANGED, METRIC	2		

**Hydraulic Valve, Hoses and Reel Lift Slave Cylinders**

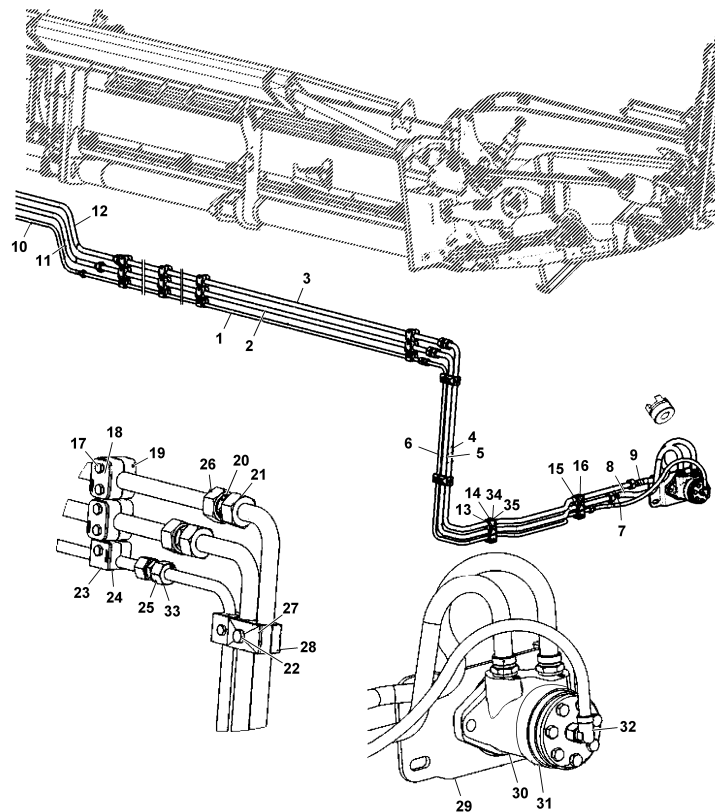
XG410223



Pos.	Artikel-Nr.	Benennung	Menge	Serial	No.
70	19M8321	SCREW, FLANGED, METRIC	8		
71	Z40677	GUARD	1		
72	T102005	GUIDE	2		
73	H137327	LOCK NUT, FLANGE LOCKNUT, DEFLECTED	8		
74	54826	HYDRAULIC BLOCK	1		
75	54942	HYDRAULIC HOSE	1		
76	54940	HYDRAULIC HOSE	1		
77	53228	HYDRAULIC HOSE	AR		
78	54225	HOSE	1		
79	54972	VALVE	1		

**Hydraulic Hoses and Motor, RH**

XG304261

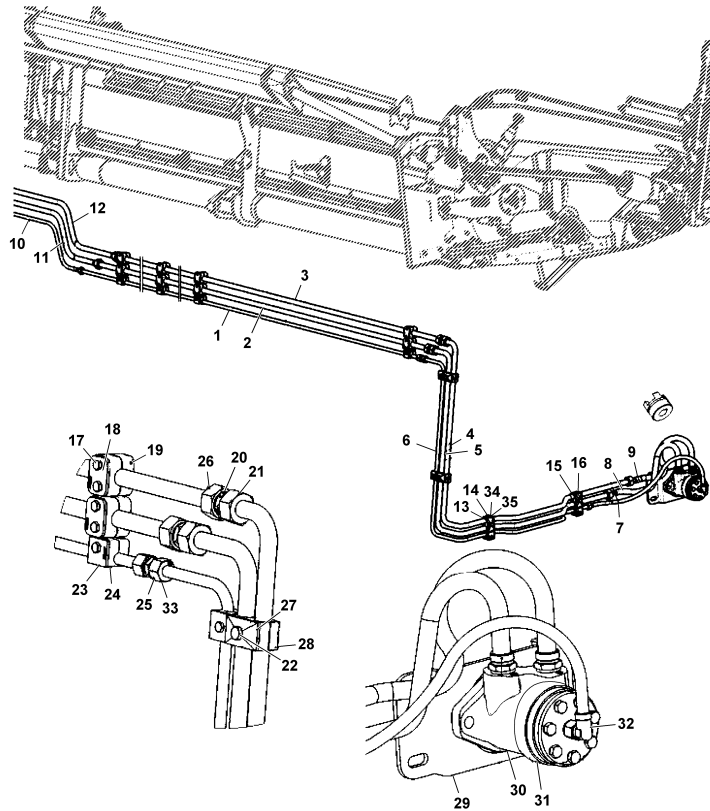


XG304261

Pos.	Artikel-Nr.	Benennung	Menge	Serial	No.
1	52536	HYDRAULIC PIPE	1		
2	52802	HYDRAULIC PIPE	1		
3	52561	HYDRAULIC PIPE	1		
4	53215	HYDRAULIC PIPE	1		
5	53216	HYDRAULIC PIPE	1		
6	53212	HYDRAULIC PIPE	1		
7	53628	HYDRAULIC HOSE	1		
8	53627	HYDRAULIC HOSE	1		
9	53626	HYDRAULIC HOSE	1		
10	52537	HYDRAULIC HOSE	1		
11	52538	HYDRAULIC HOSE INSIDE	1		
12	52539	HYDRAULIC HOSE OUTSIDE	1		
13	70103	DIN 985 HEXAGON NUT M8, BLUE	2		
14	70109	DIN125 FLAT WASHER 8,4 MM, YELLOW	2		
15	70690	BOLT	2		
16	70398	BOLT	2		
17	091537	BOLT	41		
18	090851	COVER	16		
19	090841	PIPE CLAMP	32		
20	090663	HYDRAULIC SCREW CONNECTION	2		
21	090618	HYDRAULIC COUPLING NUT	16		
22	70733	BOLT	6		
23	090849	COVER	18		

**Hydraulic Hoses and Motor, RH**

XG304261

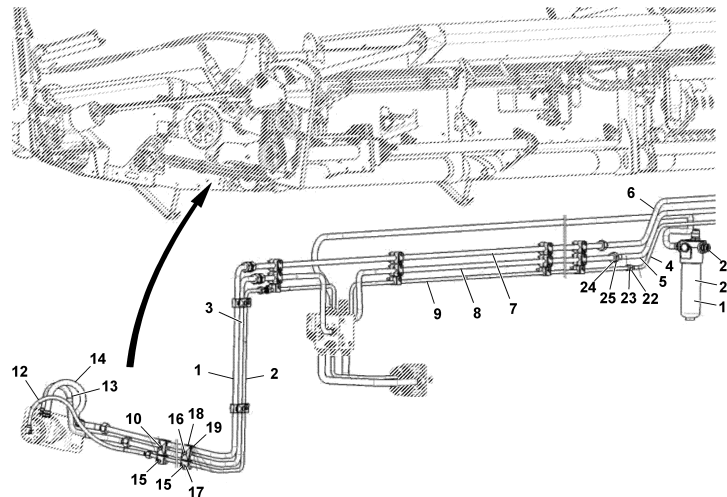


XG304261

Pos.	Artikel-Nr.	Benennung	Menge	Serial	No.
24	092860	PIPE CLAMP	34		
25	090984	HYDRAULIC COUPLING NUT	8		
26	090619	CUTTING RING	16		
27	090847	COVER	8		
28	092861	PIPE CLAMP	16		
29	53354	SUPPORT	1		
30	090128	HYDRAULIC SCREW CONNECTION	6		
31	52636	MOTOR, CONVEYER	2		
32	092859	HYDRAULIC SCREW CONNECTION	2		
33	090992	CUTTING RING	8		
34	70074	DIN125 FLAT WASHER 6,4 MM, YELLOW	2		
35	70020	DIN 985 HEXAGON NUT M6, BLUE	2		
36	53262	ROTEX COUPLING COMPLETE	1		

**Hydraulic Hoses and Motor, LH (1 of 2)**

XG410224

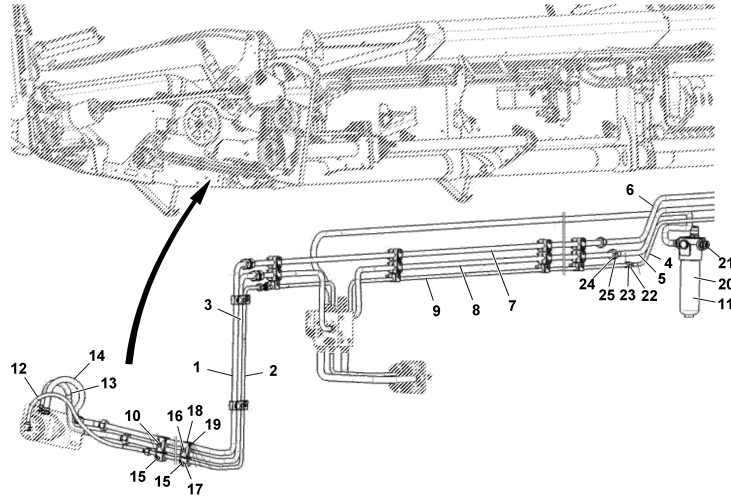


XG410224

Pos.	Artikel-Nr.	Benennung	Menge	Serial	No.
1	53213	HYDRAULIC PIPE	1		
2	53211	HYDRAULIC PIPE	1		
3	53214	HYDRAULIC PIPE	1		
4	52537	HYDRAULIC HOSE	1		
5	52538	HYDRAULIC HOSE INSIDE	1		
6	52539	HYDRAULIC HOSE OUTSIDE	1		
7	53207	HYDRAULIC PIPE	1		
8	54938	HYDRAULIC HOSE	1		
9	54939	HYDRAULIC HOSE	1		
10	70398	BOLT	2		
11	53846	FILTER CARTRIDGE	AR		
12	53625	HYDRAULIC HOSE	1		
13	53623	HYDRAULIC HOSE	1		
14	53624	HYDRAULIC HOSE	1		
15	70690	BOLT	2		
16	091537	BOLT	21		
17	70074	DIN125 FLAT WASHER 6,4 MM, YELLOW	2		
18	70020	DIN 985 HEXAGON NUT M6, BLUE	2		
19	70109	DIN125 FLAT WASHER 8,4 MM, YELLOW	2		
20	53352	FILTER	1		
21	091023	HYDRAULIC SCREW CONNECTION	2		
22	090984	HYDRAULIC COUPLING NUT	8		
23	090992	CUTTING RING	8		

**Hydraulic Hoses and Motor, LH (1 of 2)**

XG410224

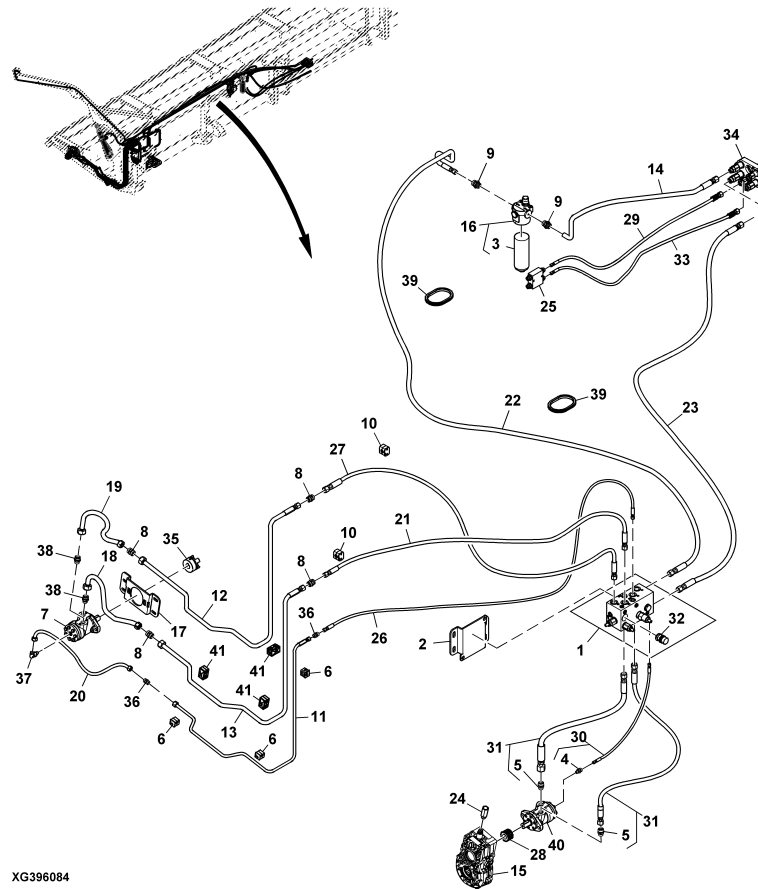


XG410224

Pos.	Artikel-Nr.	Benennung	Menge	Serial	No.
24	090619	CUTTING RING	16		
25	090618	HYDRAULIC COUPLING NUT	16		

**Hydraulic Valve, Hoses and Reel Lift Slave Cylinder, LH ( 021051 - )**

XG396084

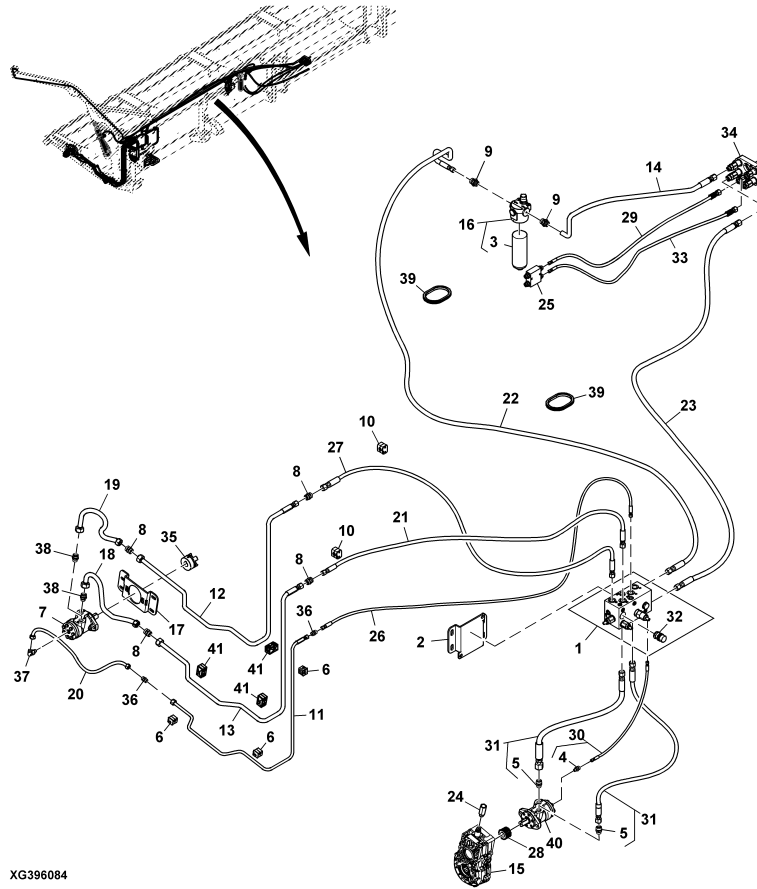


XG396084

Pos.	Artikel-Nr.	Benennung	Menge	Serial	No.
1	54826	HYDRAULIC BLOCK	1		
2	54827	BRACKET	1		
3	53846	FILTER CARTRIDGE	1		
4	090038	HYDRAULIC SCREW CONNECTION	1		
5	53387	FITTING, ELBOW	2		
6	52569	CLAMP	4		
7	52636	MOTOR, CONVEYER	1		
8	090001	HYDRAULIC SCREW CONNECTION	5		
9	091023	HYDRAULIC SCREW CONNECTION	2		
10	53203	CLAMP	3		
11	53211	HYDRAULIC PIPE	1		
12	53213	HYDRAULIC PIPE	1		
13	53214	HYDRAULIC PIPE	1		
14	53228	HYDRAULIC HOSE	1		
15	54761	GEAR	1		
16	53352	FILTER	1		
17	54884	BRACKET	1		
18	53623	HYDRAULIC HOSE	1		
19	53624	HYDRAULIC HOSE	1		
20	53625	HYDRAULIC HOSE	1		
21	54832	PIPE	1		
22	54940	HYDRAULIC HOSE	1		
23	54942	HYDRAULIC HOSE	1		

**Hydraulic Valve, Hoses and Reel Lift Slave Cylinder, LH ( 021051 - )**

XG396084

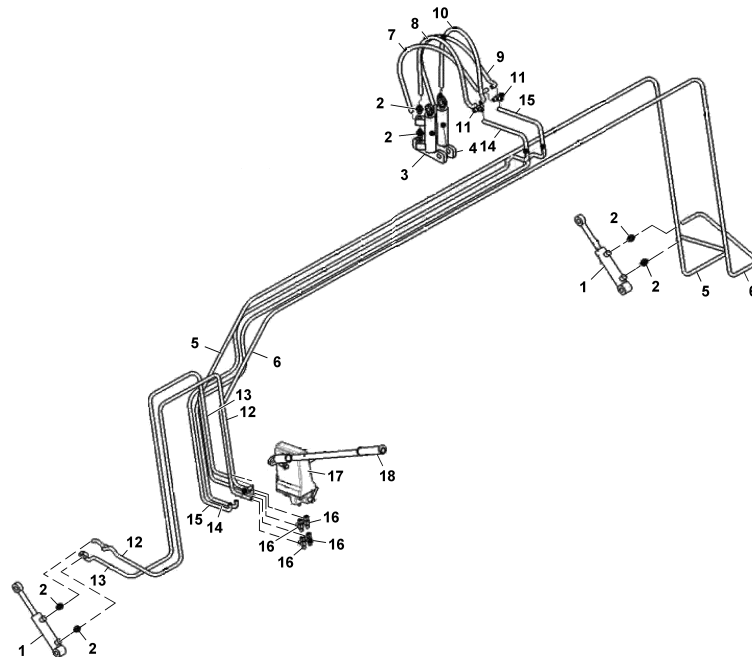


XG396084

Pos.	Artikel-Nr.	Benennung	Menge	Serial	No.
24	54848	EXTENSION	1		
25	AXE52822	CHECK VALVE, REEL FORE/AFT PO CHECK	1		
26	54830	PIPE	1		
27	54831	PIPE	1		
28	54968	PINION	1		
29	54225	HOSE	1		
30	54267	HOSE	1		
31	54268	HOSE	2		
32	54972	VALVE	1		
33	54319	HOSE	1		
34	AH166991	COUPLING, MULTI - COUPLER, MOBILE P	1		
35	53262	ROTEX COUPLING COMPLETE	1		
36	090663	HYDRAULIC SCREW CONNECTION	2		
37	092859	HYDRAULIC SCREW CONNECTION	1		
38	090128	HYDRAULIC SCREW CONNECTION	4		
39	HXE73919	GROMMET, TOP RAIL GROMMET	2		
40	54760	PUMP	1		
41	52566	CLAMP	3		

**Hydraulic Auger Lift**

XG412227

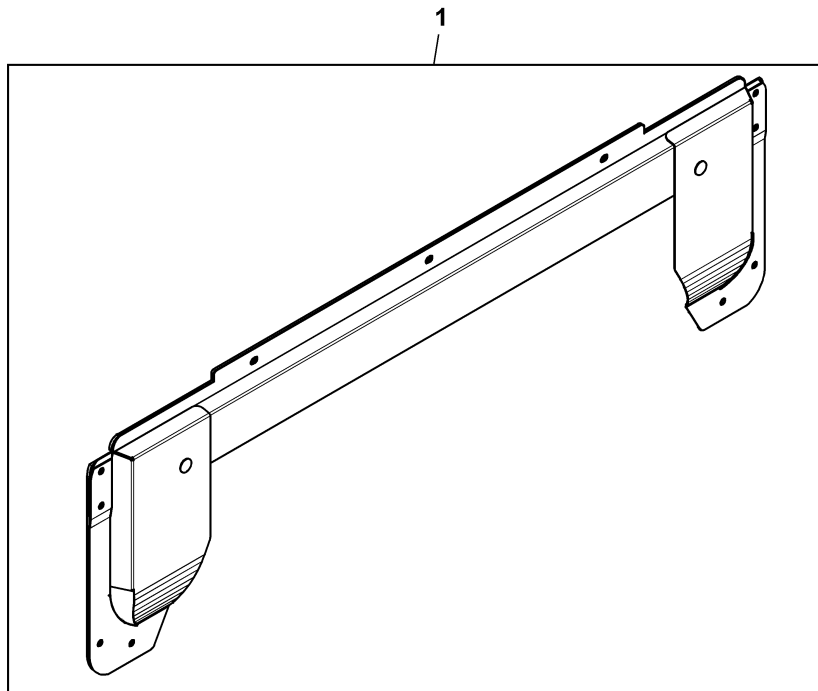


XG412227

Pos.	Artikel-Nr.	Benennung	Menge	Serial	No.
1	50348	CYLINDER	2		
2	090113	FITTING	8		
3	52776	HYDRAULIC CYLINDER, AUGER, LH	1		
4	52702	HYDRAULIC CYLINDER, AUGER RH	1		
5	52852	HYDRAULIC HOSE PUMP T-ADAPTER MIDDL	1		
6	52851	HYDRAULIC HOSE PUMP T-ADAPTER MIDDL	1		
7	52858	HYDRAULIC HOSE	1		
8	52857	HYDRAULIC HOSE	1		
9	52859	HYDRAULIC HOSE	1		
10	52856	HYDRAULIC HOSE	1		
11	52855	HYDRAULIC SCREW CONNECTION	2		
12	52849	HYDRAULIC HOSE AUGER DRIVE RH PART	1		
13	52850	HYDRAULIC HOSE PUMP T-ADAPTER MIDDL	1		
14	52853	HYDRAULIC HOSE PUMP T-ADAPTER MIDDL	1		
15	52854	HYDRAULIC HOSE PUMP T-ADAPTER MIDDL	1		
16	50377	T-ADAPTER	4		
17	50376	HYDRAULIC PUMP	1		
18	50380	LEVER, PUMP WITH HANDLE	1		

**Feeder House Deflector for S Series**

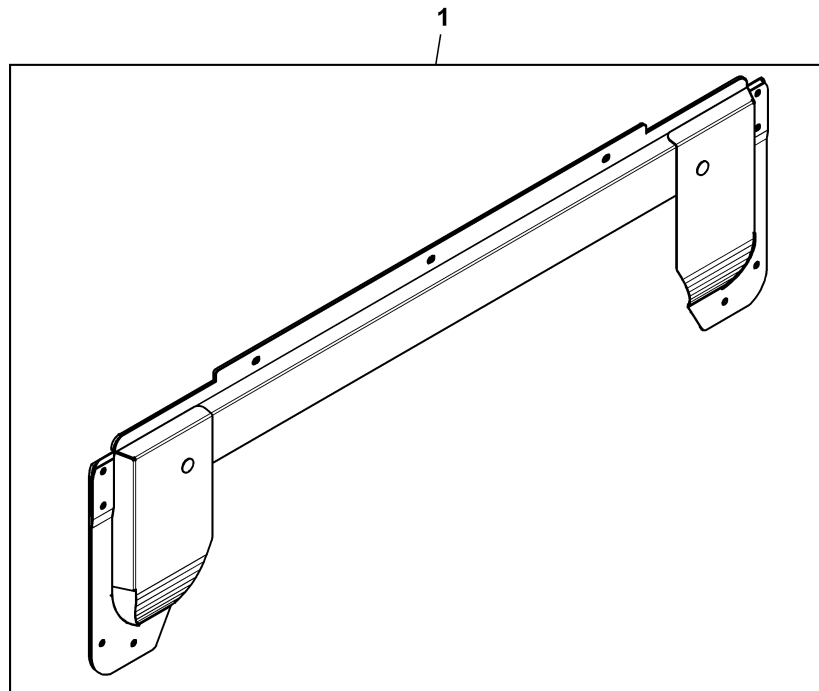
XG346376



XG346376

Pos.	Artikel-Nr.	Benennung	Menge	Serial	No.
1	54253	S-COMBINE	1		

Feeder House Deflector for X Series



XG346376

Pos.	Artikel-Nr.	Benennung	Menge	Serial	No.
1	55094	DEFLECTOR	1		



Zürn Harvesting GmbH & Co. KG  
Eichenstraße 27  
D-74747 Ravenstein-Merchingen

Tel.: +49 6297 92885-0  
Fax: +49 6297 92885-19  
E-Mail: [info@zuern.de](mailto:info@zuern.de)

Internet: [www.zuern.de](http://www.zuern.de)