



With the responsibility
and confidence you deserve

franco fabril s.a.
IMPLEMENTS AND SPARE PARTS FOR AGRICULTURE

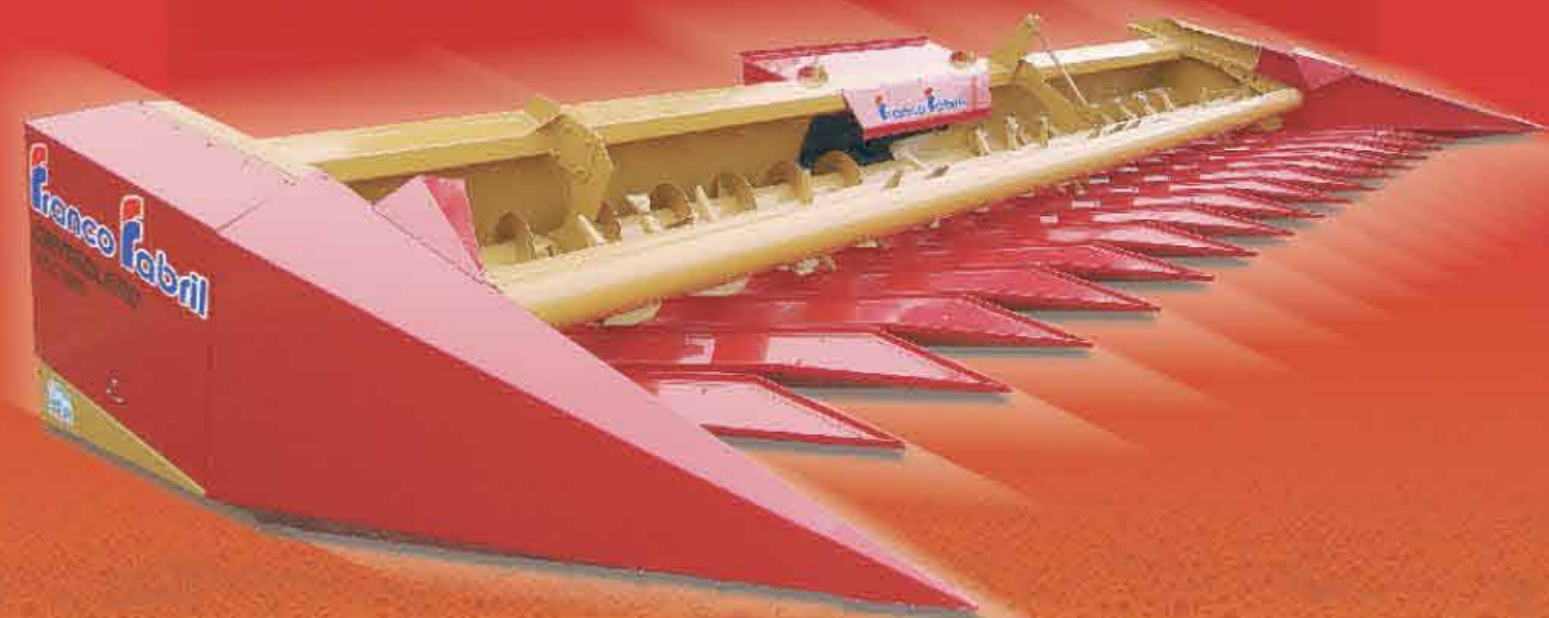
San Martín 2282 - X2624BMW - Arias - Córdoba - Argentina
Phone: 54 3468 - 440547 / 441118 / 441119 / 441511
Web Site: www.francofabril.com.ar
E-mail: ventasagropartes@francofabril.com.ar
ventasimplementos@francofabril.com.ar



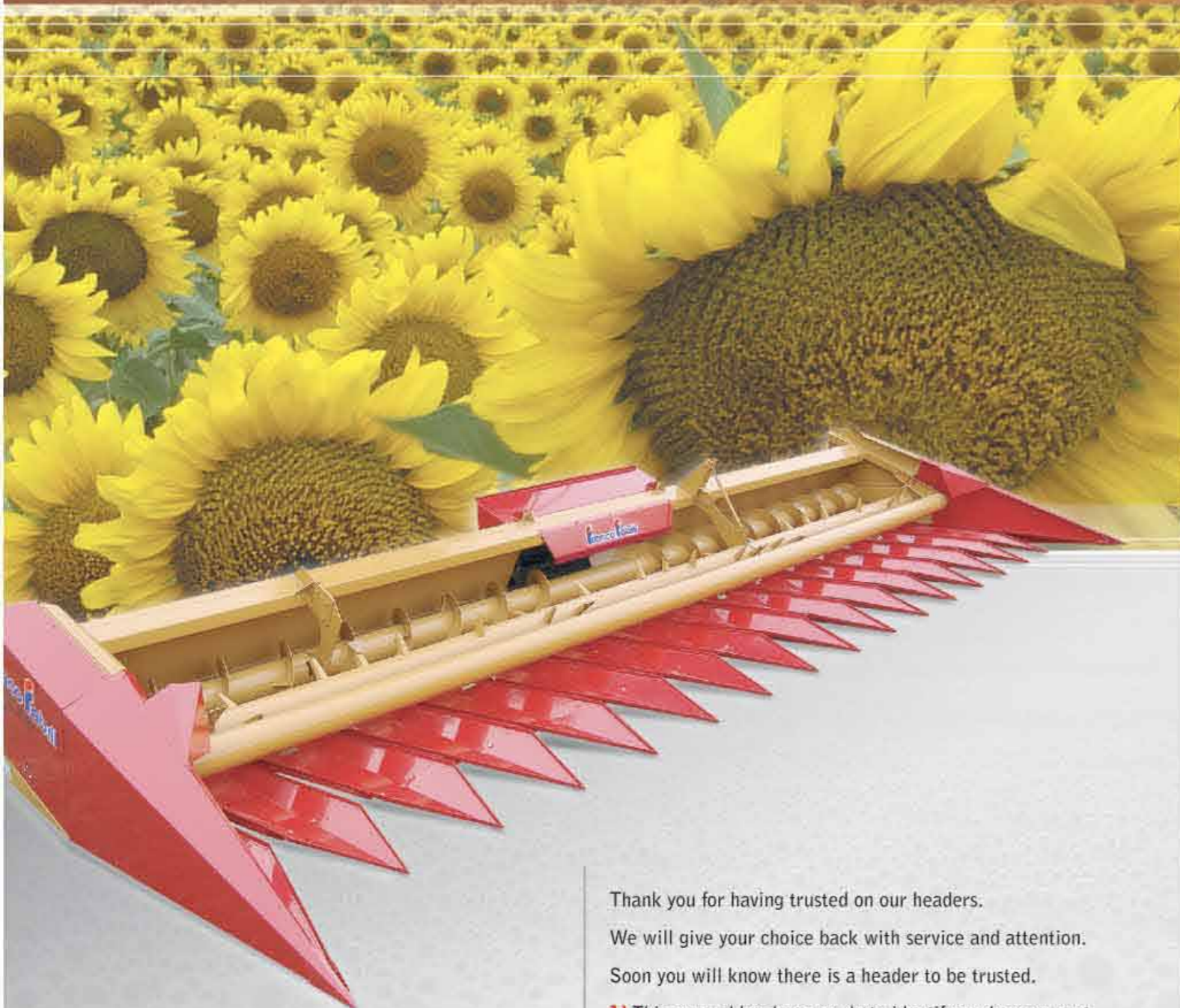
franco fabril

OUR QUALITY IS NOT ALWAYS THE SAME, IT IS CONSTANTLY IMPROVING

SUNFLOWER HEADER
MOD. **FFG 525**



MAINTENANCE AND SPARE PARTS MANUAL



TO THE USER:

Thank you for having trusted on our headers.

We will give your choice back with service and attention.

Soon you will know there is a header to be trusted.

1) This manual has been made to identify each spare part with its corresponding number, and therefore to make it easier to ask for it and order if it is necessary.

2) If the sunflower is small and slips through the opening of the trays, it is necessary to close their registers.

3) For most of the crops, the header is used with the regulations from the factory. For different regulations or in case of doubt, ask our Franco Fabril technical service. We are here to help.

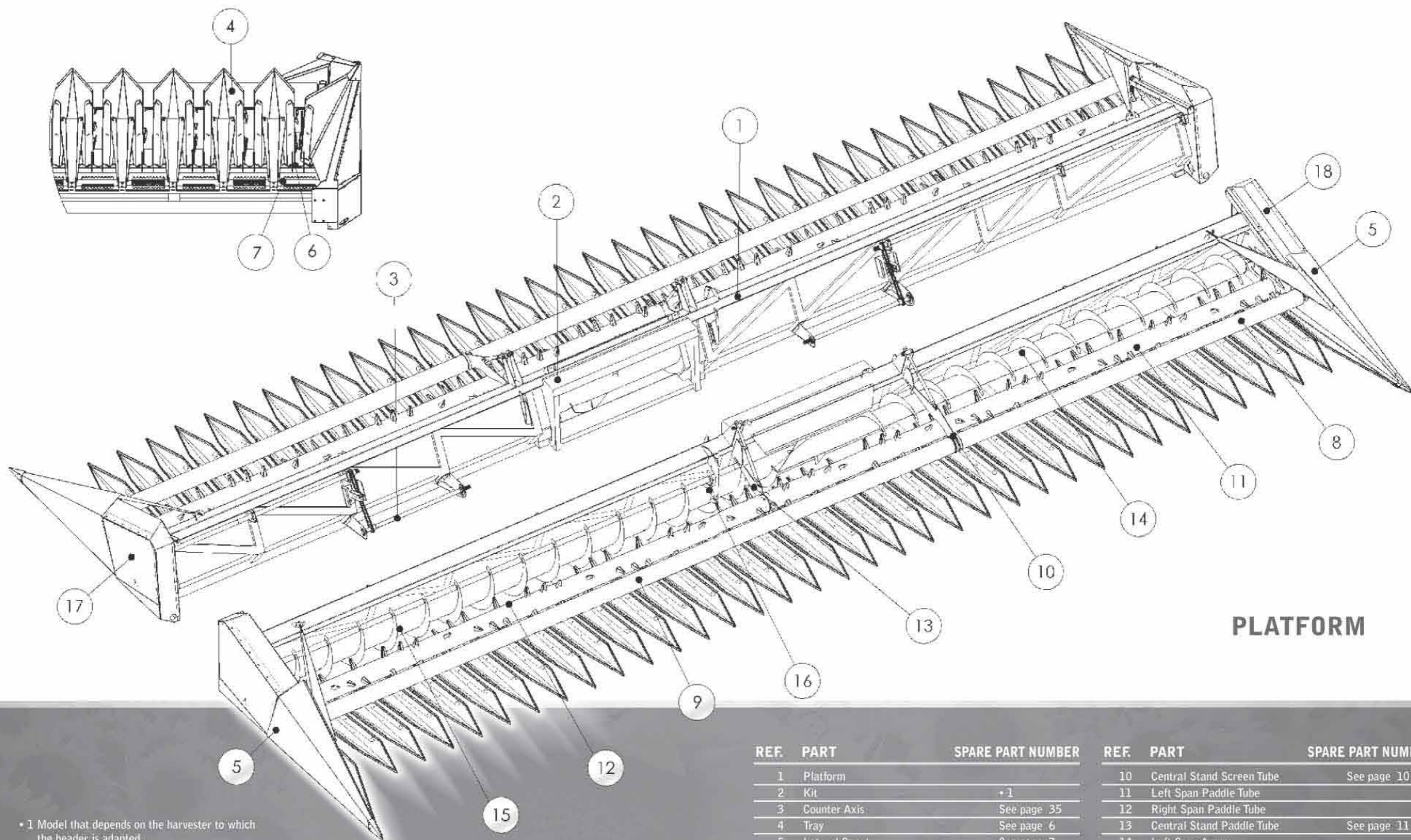
4) Speeds: Auger 170 rpm
Paddle 115 rpm
Coulter Box 420 rpm

5) Remember: to do a convenient harvest, do not surpass 5 km/h.

Franco Fabril keeps the right to make changes without previous warning.

INDEX

	PAGE N°		PAGE N°
Introduction	2	Left Axis Gear Box in equipments with more than 14 Rows	19
Index	3	Right Axis Gear Box in equipments up to 14 Rows	20
Platform	4 / 5	Counter Axis	21
Tray	6	Chain Register	22 / 23 / 24
Lateral Snout	7	Right Point Stalk Ejector	25
Cutting System	8	Left Point Gear Box Stalk Ejector	26
Stalk Ejector	9	Coulter Box Strings Register	27
Central Stand Screen Tube	10	Tube Screen Stand	28
Central Stand Paddle Tube	11	Right Auger Point in Equipments up to 14 rows	29
Central Auger Stand	12	Right Auger Point in Equipments with more than 14 rows	30
Mechanisms of Right Gear Box in Equipments up to 14 rows	13	Left Auger Point	31
Mechanisms of Right Gear Box in Equipments with more than 14 rows	14	Right Paddle Tube Point in Equipments up to 14 rows	32
Mechanisms of Left Gear Box in equipments up to 14 rows	15	Right Paddle Tube Point in Equipments with more than 14 rows	33
Mechanisms of Left Gear Box in Equipments with more than 14 rows	16	Right Paddle Tube Point	34
Coulter Box	17	Counter Axis	35
Left Axis Gear Box in equipments up to 14 Rows	18		

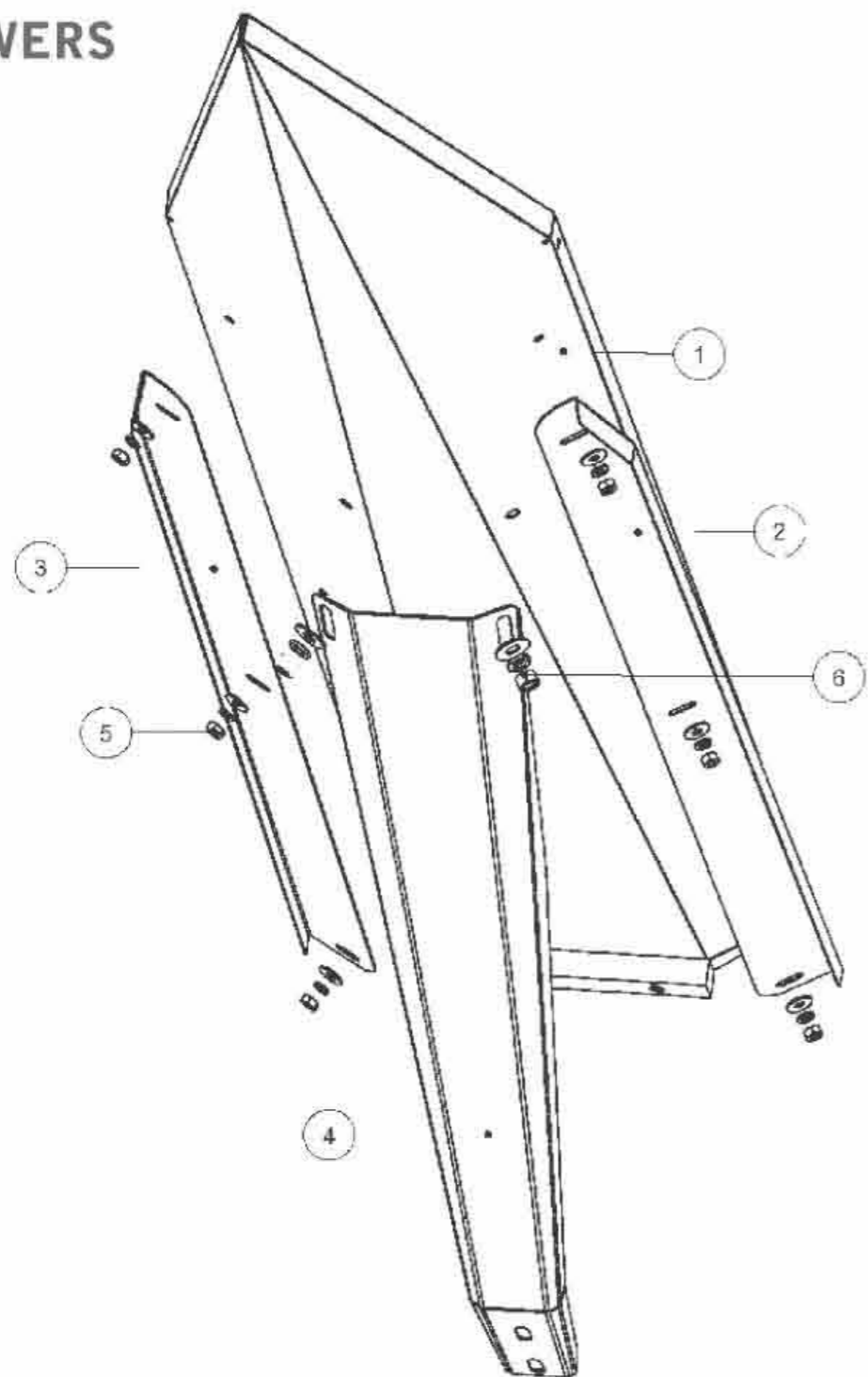


PLATFORM

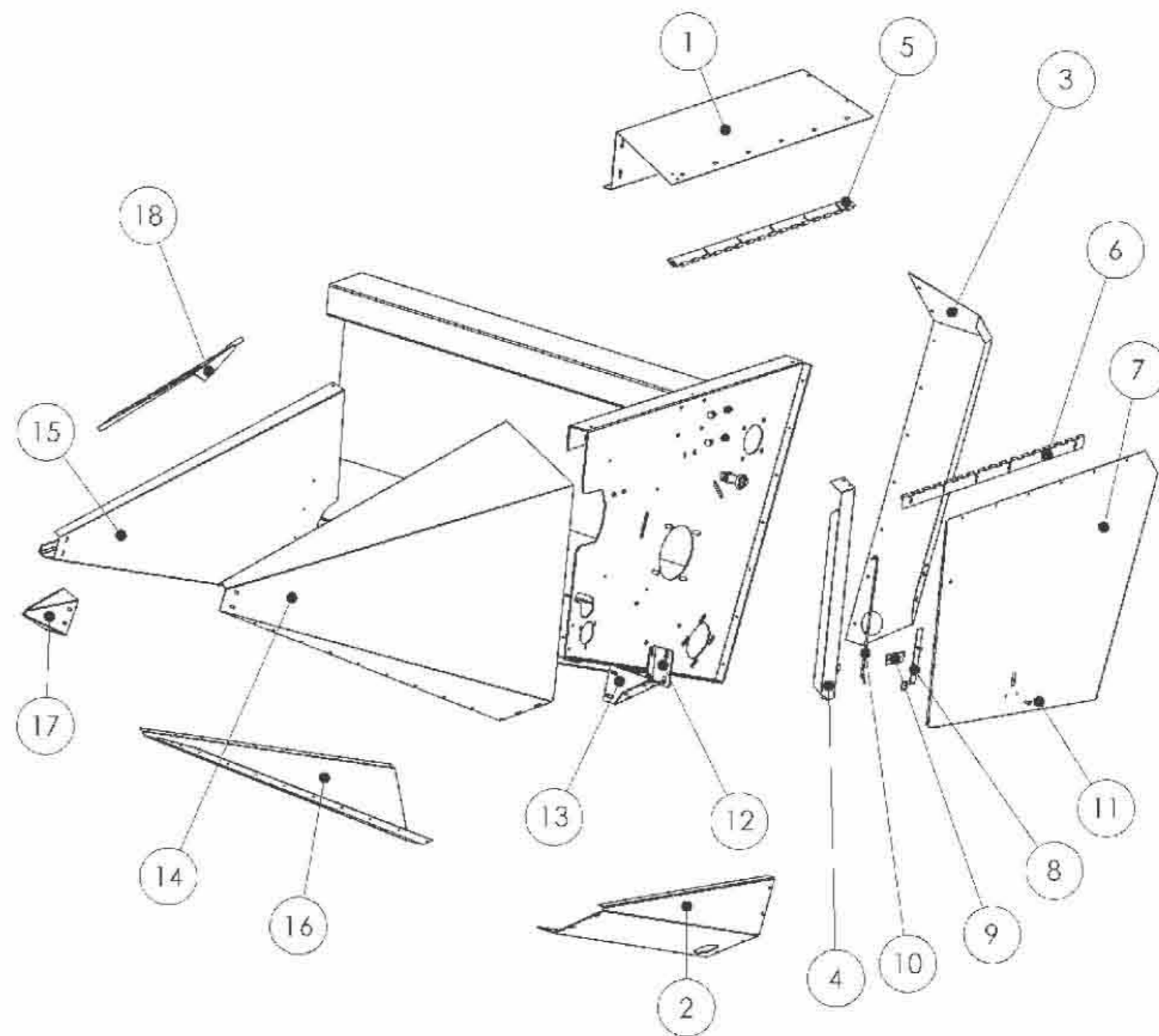
- 1 Model that depends on the harvester to which the header is adapted.
- 3 For the right gear boxes in equipments up to 14 rows see page 13 and for larger equipments see page 14.
- 4 For the left gear boxes in equipments up to 14 rows see page 15 and for larger equipments see page 16.

REF.	PART	SPARE PART NUMBER	REF.	PART	SPARE PART NUMBER
1	Platform		10	Central Stand Screen Tube	See page 10
2	Kit	• 1	11	Left Span Paddle Tube	
3	Counter Axis	See page 35	12	Right Span Paddle Tube	
4	Tray	See page 6	13	Central Stand Paddle Tube	See page 11
5	Lateral Snout	See page 7	14	Left Span Auger	
6	Cutting System	See page 8	15	Right Span Auger	
7	Stalk Ejector	See page 9	16	Central Stub Auger	See page 12
8	Left Screen Tube Span		17	Mechanism of Right Gear Box	• 3
9	Right Screen Tube Span		18	Mechanism of Left Gear Box	• 4

WINNERS



LATERAL SNOUT



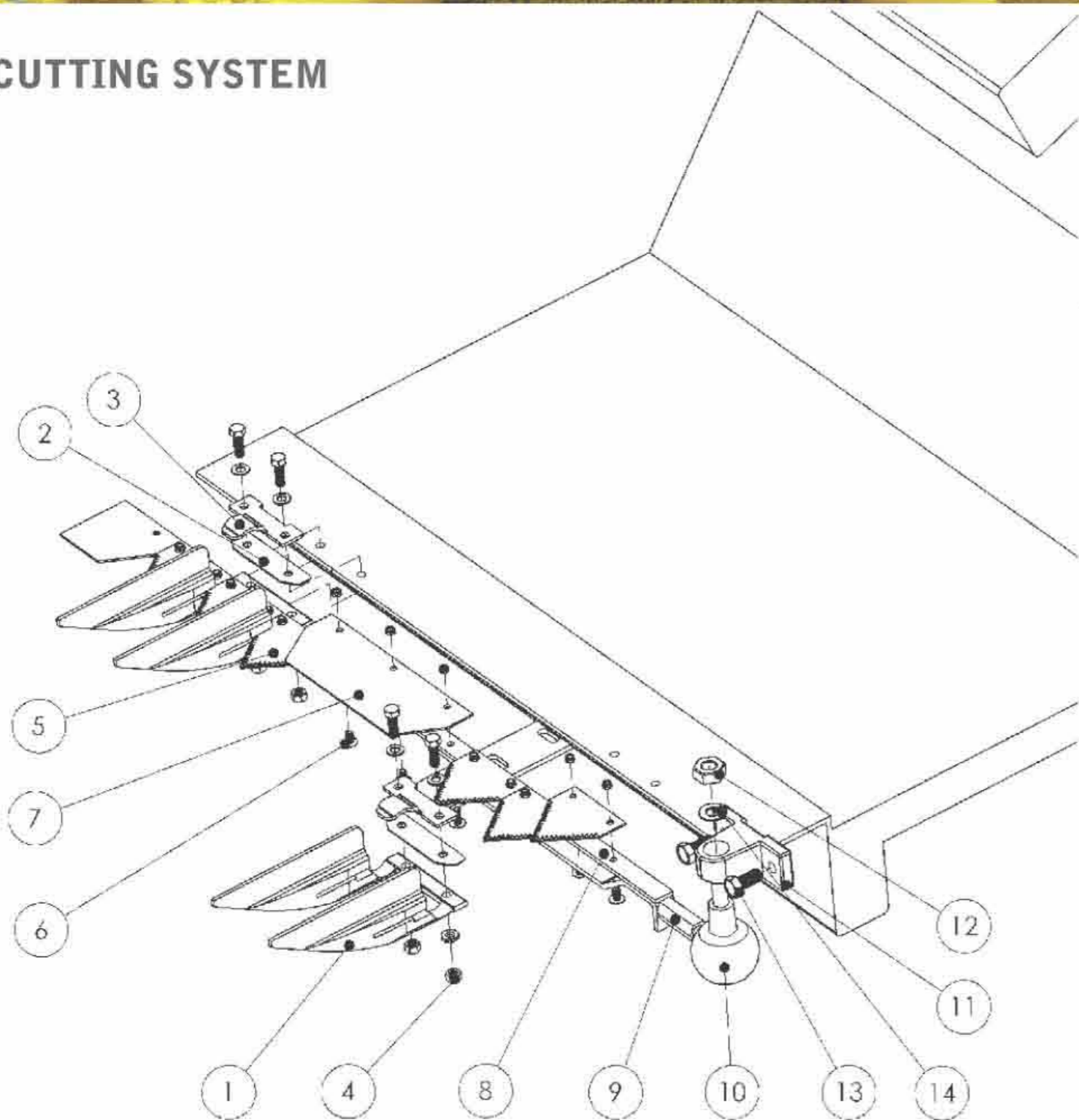
REF	PART	SPARE PART NUMBER
1	Central Winnower 35 cm	FFG 10 - 103A
1	Central Winnower 52 cm	FFG 10 - 103B
1	Central Winnower 26 cm	FFG 10 - 103C
1	Central Winnower special for equipments of 16 rows at 52 cm	FFG 10 - 103E
2	Entrance Register of Left Plant	FFG 10 - 110
3	Entrance Register of Right Plant	FFG 10 - 109

REF	PART	SPARE PART NUMBER
4	Winnower Pillar 35 cm	FFG 10 - 026A
4	Winnower Pillar 52 cm	FFG 10 - 026B
4	Winnower Pillar 26 cm	FFG 10 - 026C
4	Winnower Pillar special for equipments of 16 rows at 52 cm	FFG 10 - 026E
5	Rivet BSW 1/4 x 5/8 Nut + even grommet + grower grommet	
6	Rivet BSW 3/8 x 3/4 Nut + even grommet + grower grommet	

REF	PART	SPARE PART NUMBER
1	Upper Closing of the Side	FFG - 10 - 200
2	Lower Closing of the Side	FFG - 10 - 201
3	Back Closing of the Side	FFG - 10 - 202
4	Door Frame	FFG - 10 - 203
5	Upper Hinge	FFG - 10 - 204
6	Lower Hinge	FFG - 10 - 205
7	Side Door	FFG - 10 - 206
8	Door Locker	FFG - 10 - 207
9	Door Locker Stand	FFG - 10 - 208

REF	PART	SPARE PART NUMBER
10	Door Stand	FFG - 10 - 209
11	Rivet Allen head 5/16 x 11/4	
12	Upper Side Stand	FFG - 10 - 210
13	Lower Side Stand	FFG - 10 - 211
14	Outer Side Stand	FFG - 10 - 212
15	Inner Side Bonnet	FFG - 10 - 213
16	Lower Side Bonnet	FFG - 10 - 214
17	Opening Tip	FFG - 10 - 215
18	Belting Lace	FFG - 10 - 216

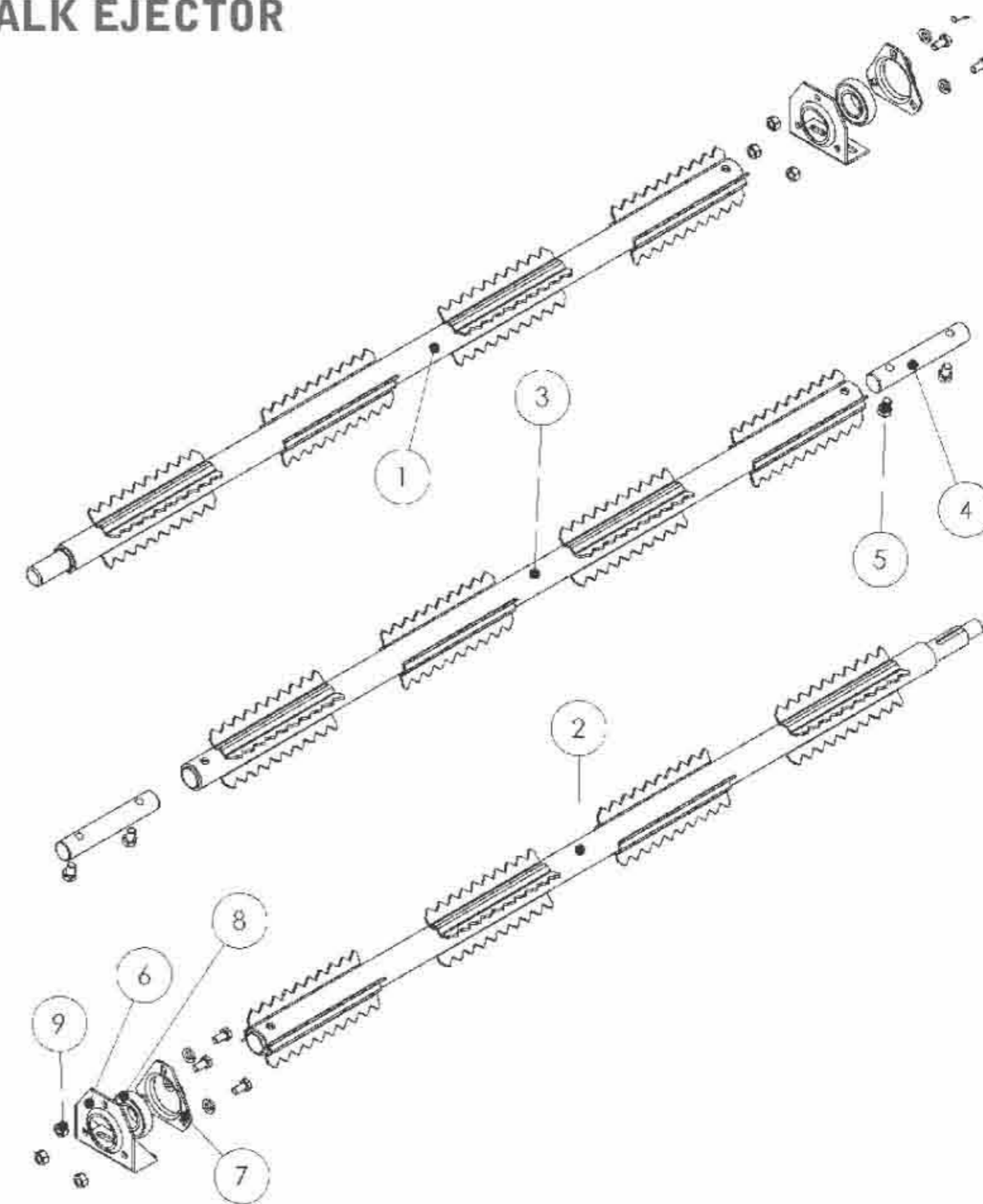
CUTTING SYSTEM



REF	PART	SPARE PART NUMBER
1	Lateral Snout	FFG-10-030
2	Rubbing Plate	FFG-10-031
3	Coulter Presser	FFG-10-032
4	Rivet 3/8 x 11/2 with even and grower grommet	
5	Section 206236 FF	FFG-10-038
6	Coulter Rivet	
7	Divider	FFG-10-039
8	Coulter Rod	FFG-10-035
9	Coulter Head	FFG-10-037

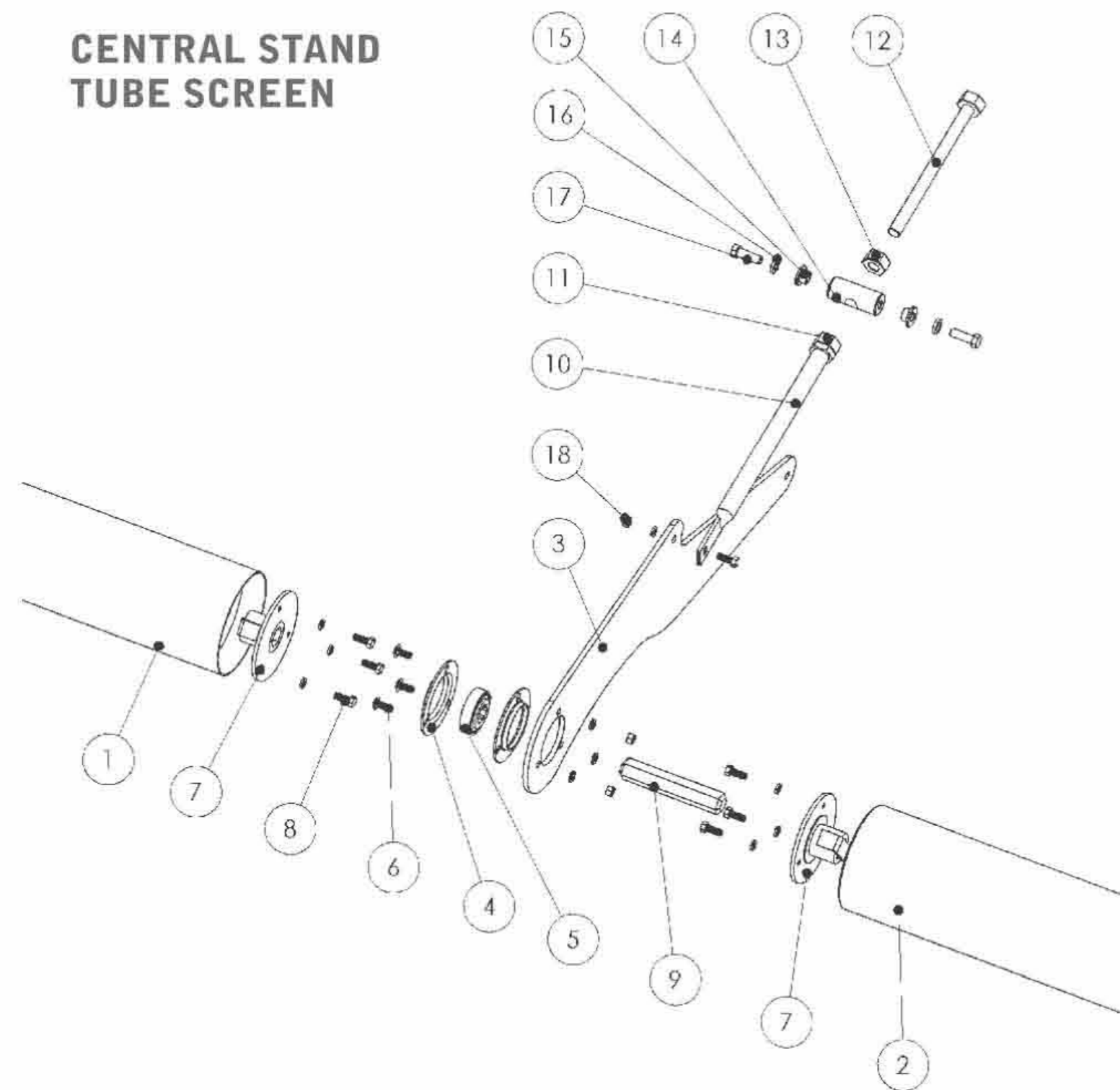
REF	PART	SPARE PART NUMBER
10	Joint	FFG-10-036
11	Joint Stand	FFG-10-033
12	Self Breaking Nut 5/8 UNF	
13	Rivet 1/2 x 1 1/2 UNC 8.8	
14	Even Grommet 5/8	

STALK EJECTOR



REF	PART	SPARE PART NUMBER
1	Side Span Plant Remover	FFG-10-120
2	Side Span Plant Remover	FFG-10-120
3	Central Span Plant Remover	FFG-10-121
4	Axis Joining Span	FFG-10-122
5	Rivet 1/2 x 3"	
6	Bearing Stand	FFG-10-123
7	Stand UC 6	FFG-10-124
8	Bearing UC 206 2RS	FFG-10-125
9	Rivet 3/8 x 11/4 Nut + Grower Grommet	

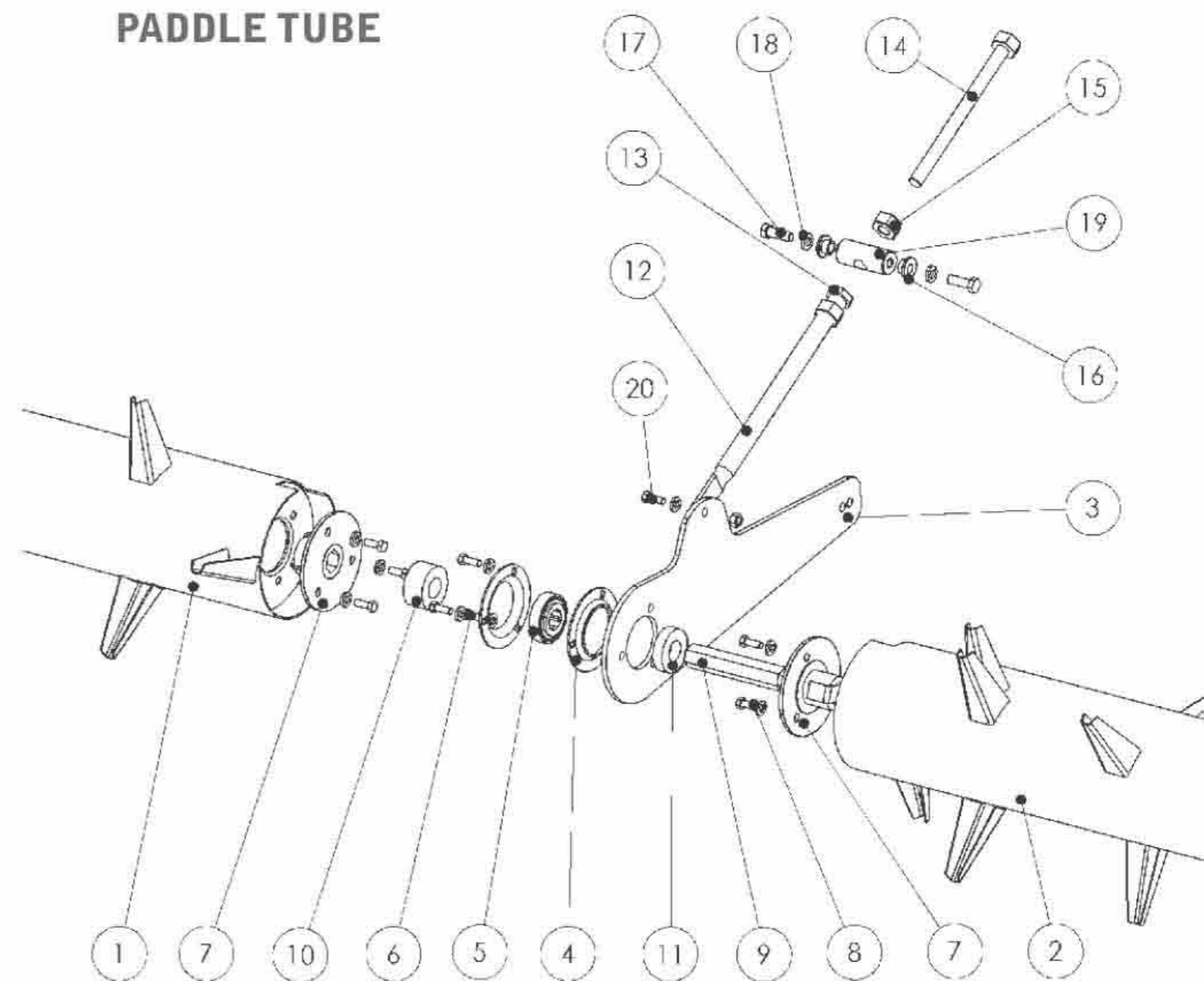
CENTRAL STAND TUBE SCREEN



REF	PART	SPARE PART NUMBER
1	Right Tube Screen	FFG - 10 - 060
2	Left Tube Screen	FFG - 10 - 061
3	Central Screen Stand	FFG - 10 - 062
4	Stand UC 7	FFG - 10 - 063
5	Bearing KRRB 207 1/8	FFG - 10 - 064
6	Rivet 7/16 x 1	
7	Central Point Screen	FFG - 10 - 065
8	Rivet 3/8 x 3/4	
9	Hexagonal Axis	FFG - 10 - 066

REF	PART	SPARE PART NUMBER
10	Binder	FFG - 10 - 067
11	Counter Nut	
12	Binding Screw	FFG - 10 - 068
13	Counter Nut	
14	Binder Stand	FFG - 10 - 068
15	Axle Casing with Head	FFG - 10 - 069
16	Grower Grommet	
17	Rivet 1/2 x 11/2	
18	Rivet 1/2 x 1	

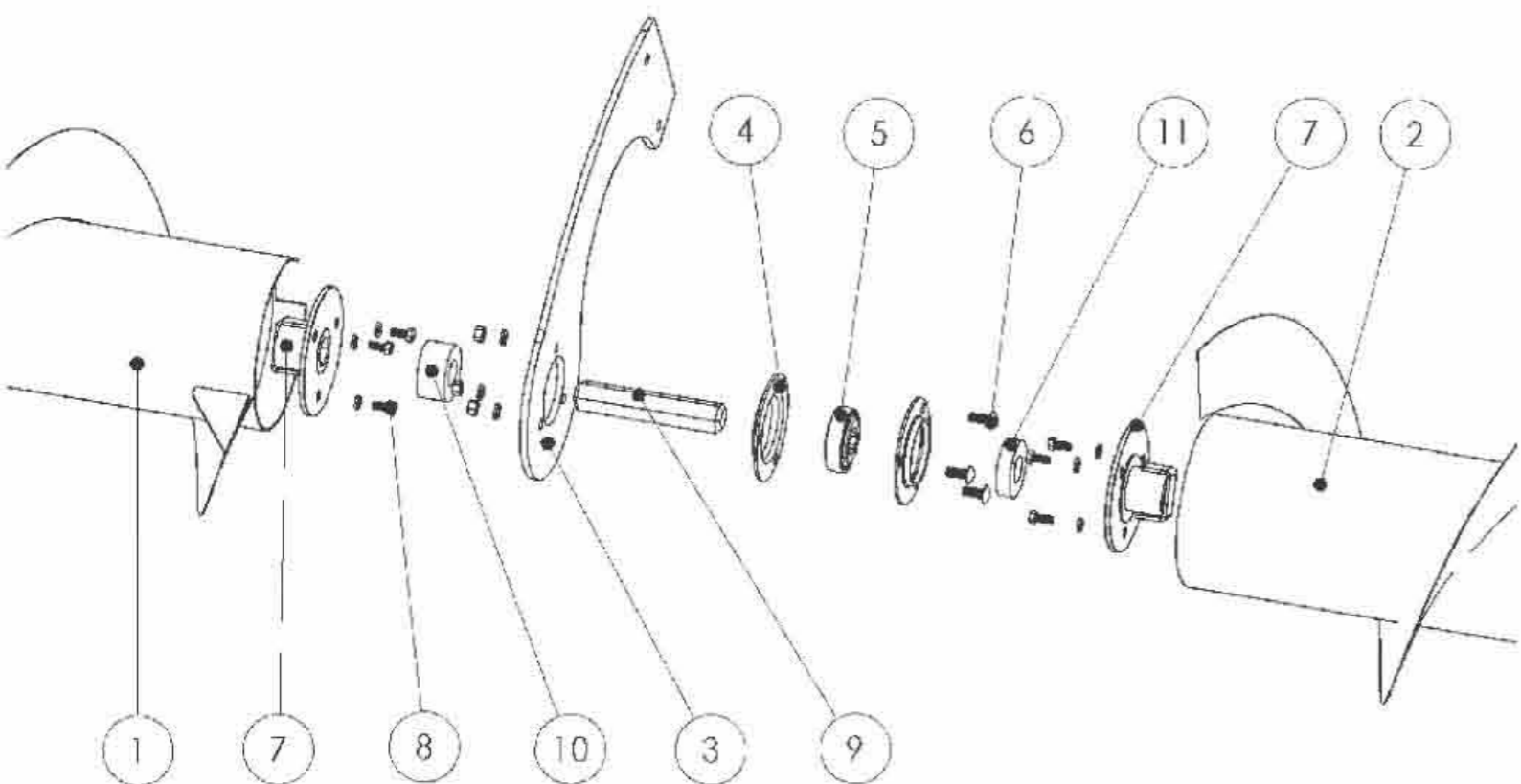
CENTRAL STAND PADDLE TUBE



REF	PART	SPARE PART NUMBER
1	Right Paddle	FFG - 10 - 070
2	Left Paddle	FFG - 10 - 071
3	Central Paddle Stand	FFG - 10 - 072
4	Stand UC 7	FFG - 10 - 063
5	Bearing KRRB 207 x 1/8	FFG - 10 - 064
6	Rivet 7/16 x 1	
7	Central Paddle Point	FFG - 10 - 065
8	Rivet 7/16 x 1	
9	Hexagonal Axis	FFG - 10 - 066
10	Hexagonal Separation	FFG - 10 - 074

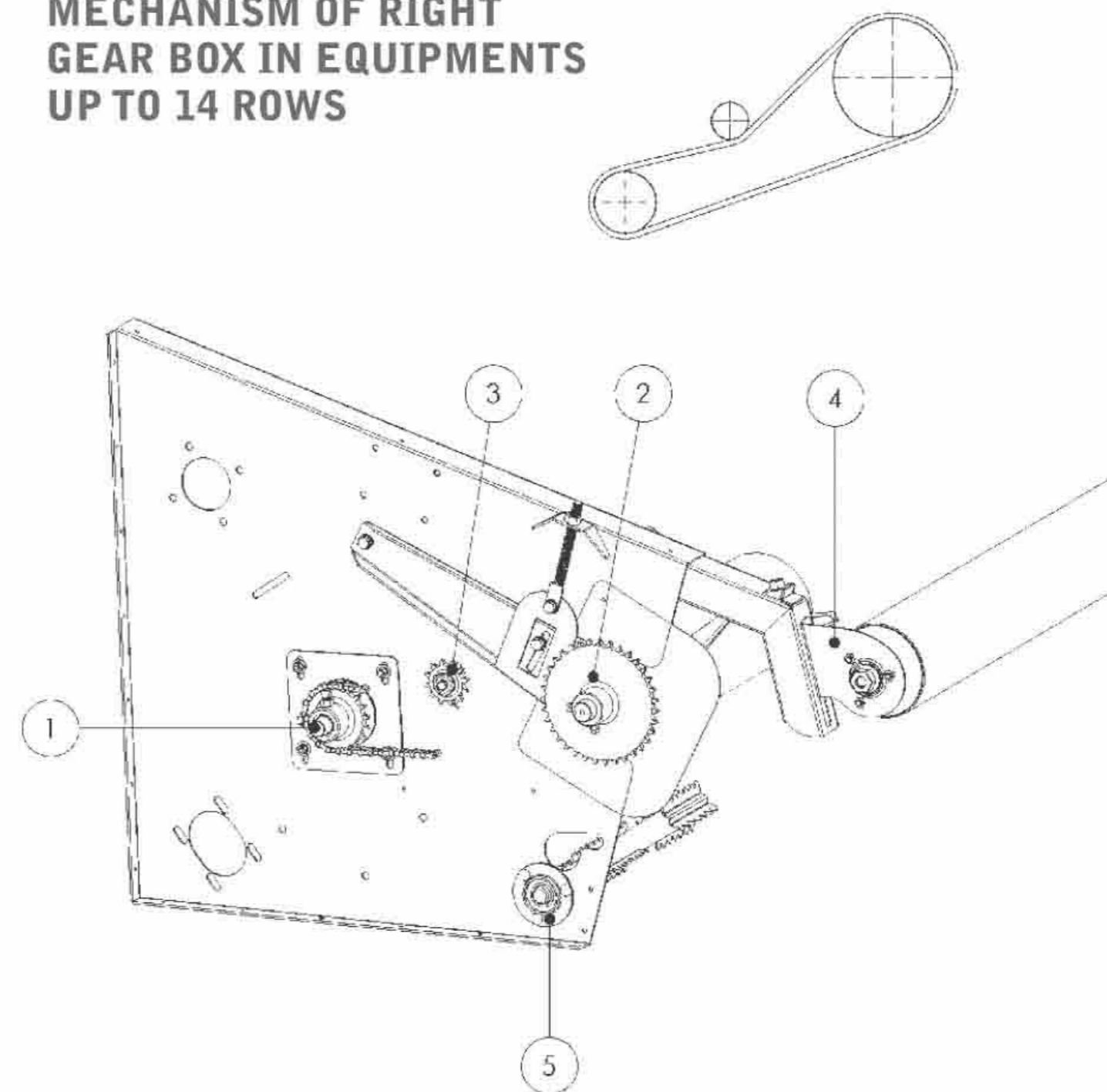
REF	PART	SPARE PART NUMBER
11	Hexagonal Separation	FFG - 10 - 075
12	Binder	FFG - 10 - 076
13	Counter Nut	
14	Binding Screw	FFG - 10 - 077
15	Counter Nut	
16	Axle Casing with Head	FFG - 10 - 069
17	Rivet 1/2 x 11/2	
18	Even Grommet	
19	Binder Stand	FFG - 10 - 078
20	Rivet	

CENTRAL STAND AUGER



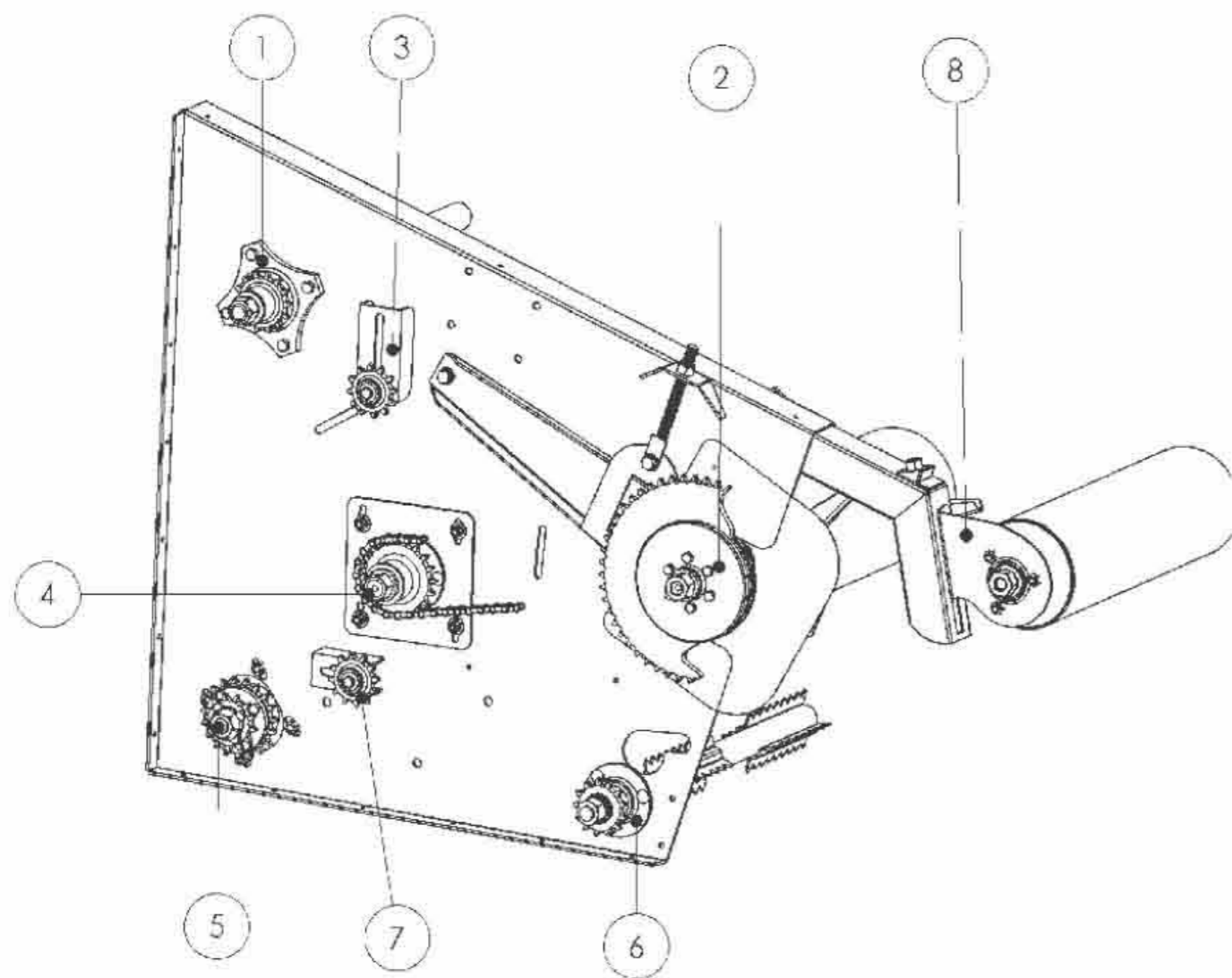
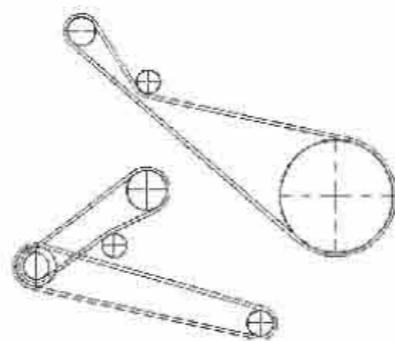
REF	PART	SPARE PART NUMBER
1	Right Auger	FFG - 10 -088
2	Left Auger	FFG - 10 -089
3	Auger Stand	FFG - 10 -090
4	Stand Sheet UC 7	FFG - 10 -067
5	Bearing 207 KRRB 1 1/8	FFG - 10 -064
6	Rivet 7/16 x 1	
7	Auger Central Tip	FFG - 10 -065
8	Rivet 7/16 x 1	
9	Hexagonal Axis	FFG - 10 -066

MECHANISM OF RIGHT GEAR BOX IN EQUIPMENTS UP TO 14 ROWS



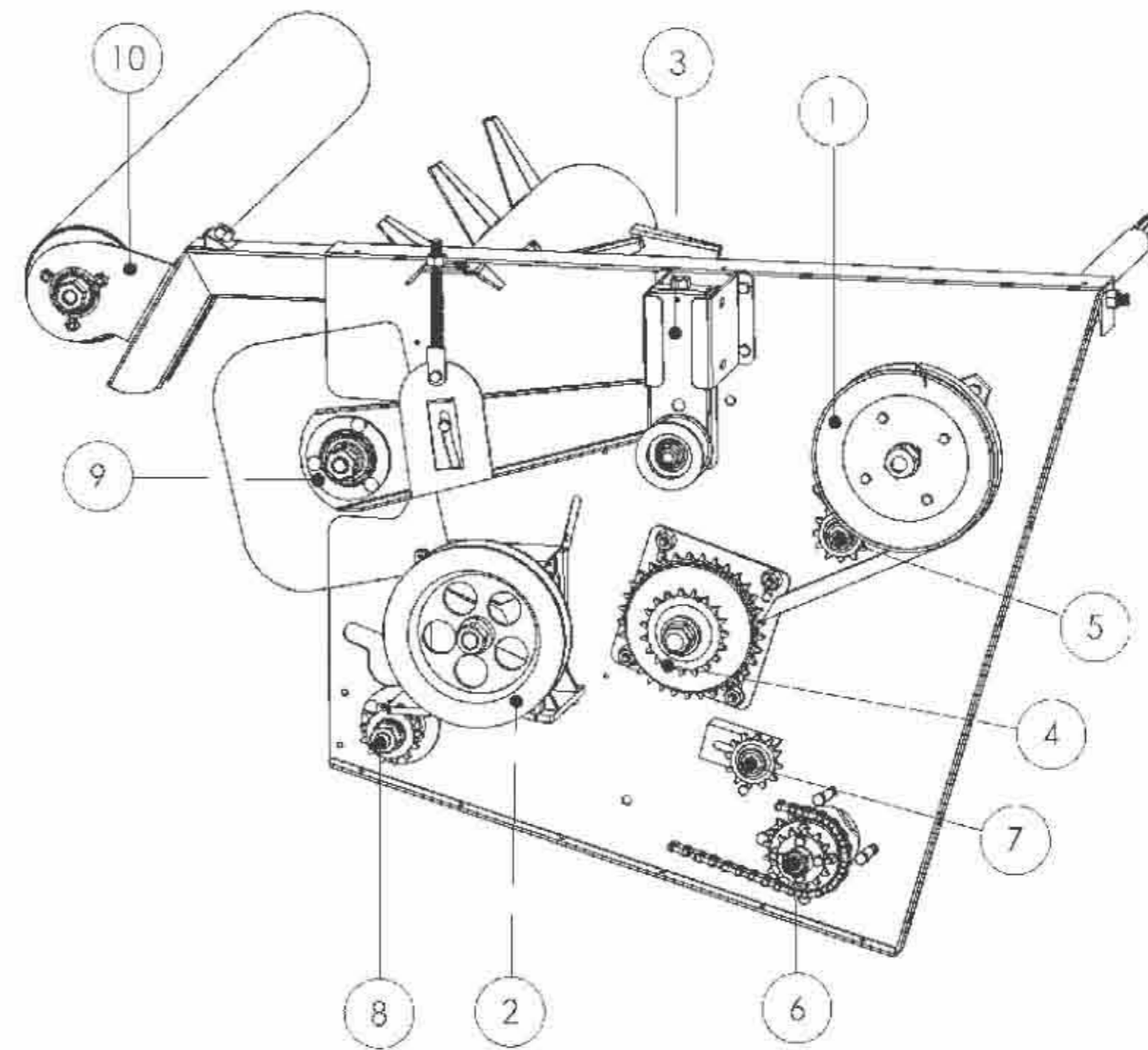
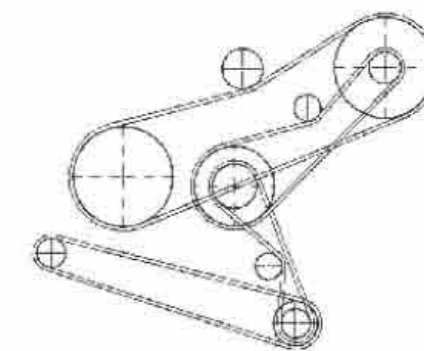
REF	PART	SPARE PART NUMBER
1	Right Point Auger in Equipments with more than 14 Rows	See page 30
2	Right Point Paddle Tube in Equipments up to 14 Rows	See page 32
3	Register Chains 3	See page 24
4	Stand Screen Tube	See page 28
5	Right Point Stalk Ejector	See page 25

MECHANISM OF RIGHT GEAR BOX IN EQUIPMENTS WITH MORE THAN 14 ROWS



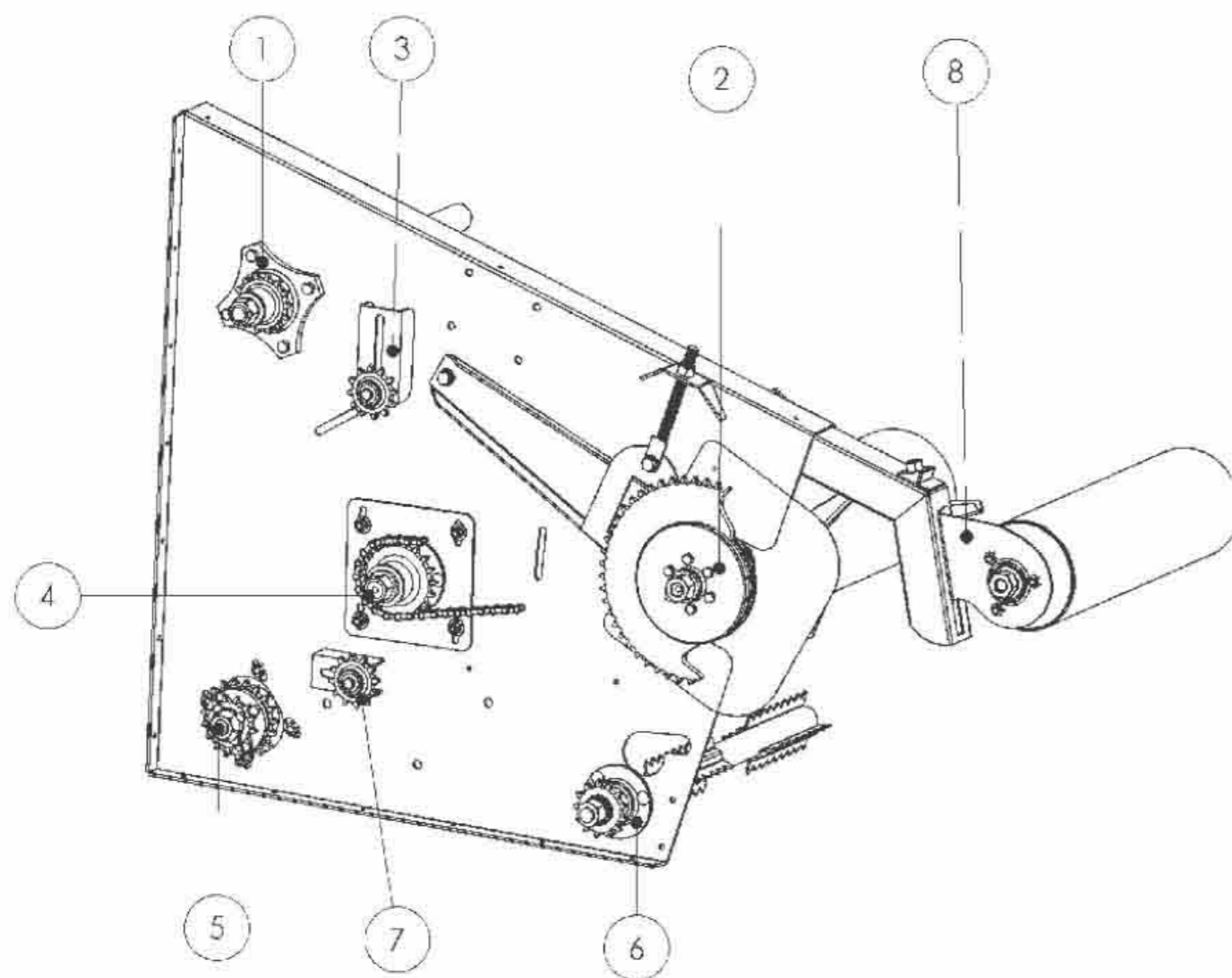
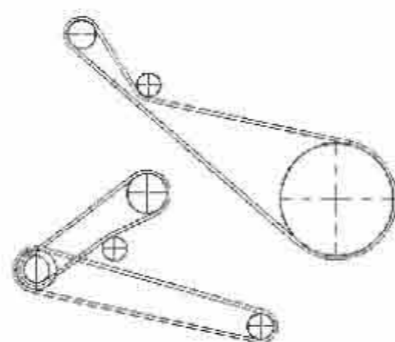
REF	PART	SPARE PART NUMBER
1	Axis Right Command Equipment with more than 14 rows	See page 20
2	Right Point Paddle Tube in Equipments with more than 14 Rows	See page 33
3	Register Chain 1	See page 22
4	Right Point Auger in Equipments up to 14 Rows	See page 29
5	Counter Axis	See page 21
6	Left Point Stalk Ejector Command	See page 26
7	Register Chains 2	See page 23
8	Stand Tube Screen	See page 28

MECHANISM OF LEFT GEAR BOX IN EQUIPMENTS UP TO 14 ROWS



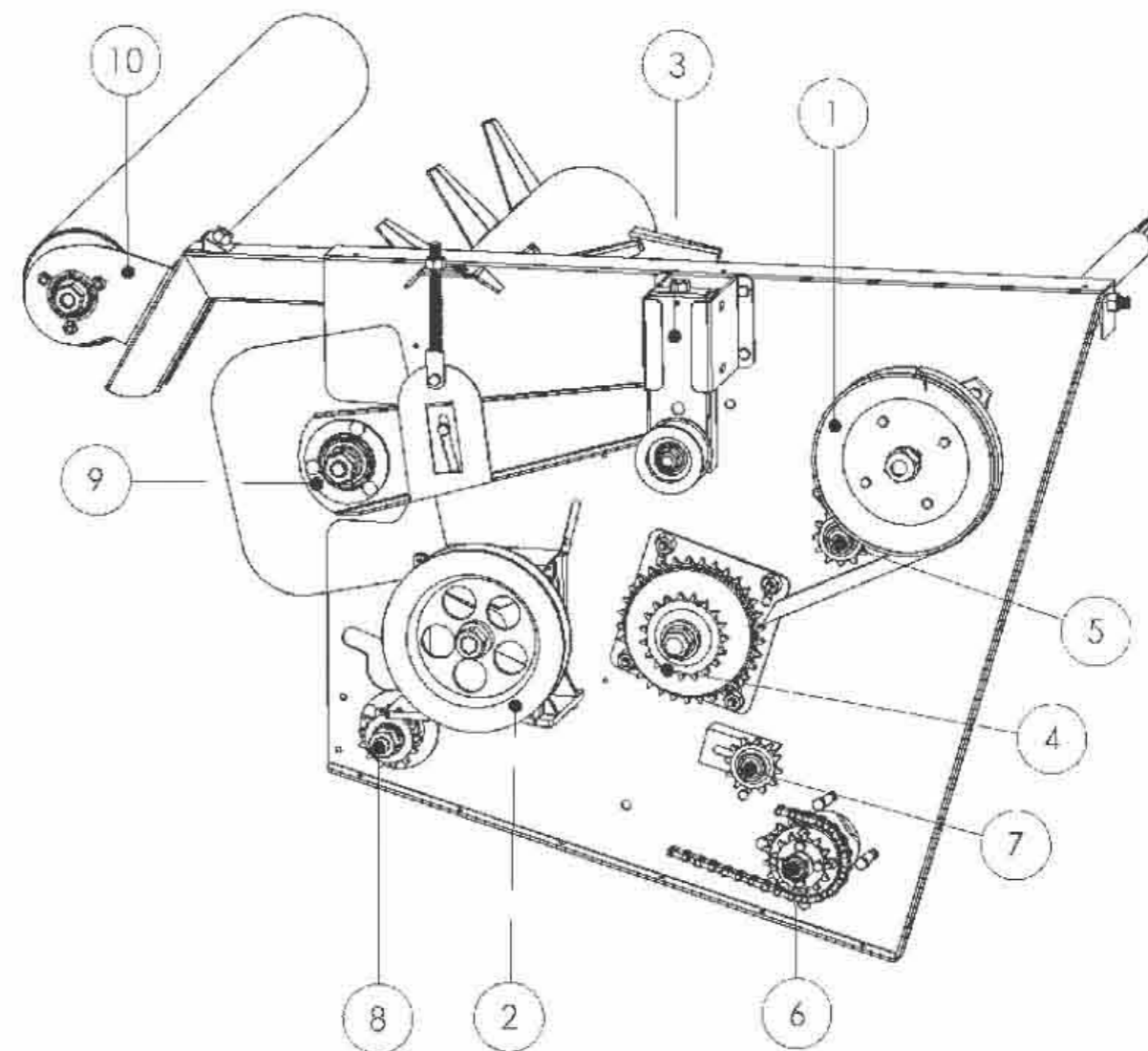
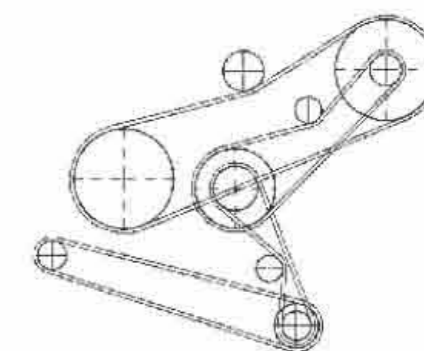
REF	PART	SPARE PART NUMBER
1	Axis Left Command in Equipments up to 14 Rows	See page 18
2	Coulter Box	See page 17
3	Register Strings Coulter Box	See page 27
4	Left Point Auger	See page 31
5	Register Chains 3	See page 24
6	Counter Axis	See page 21
7	Register Chains 2	See page 23
8	Left Point Stalk Ejector Command	See page 26
9	Left Point Paddle Tube	See page 34
10	Stand Tube Screen	See page 28

MECHANISM OF RIGHT GEAR BOX IN EQUIPMENTS WITH MORE THAN 14 ROWS



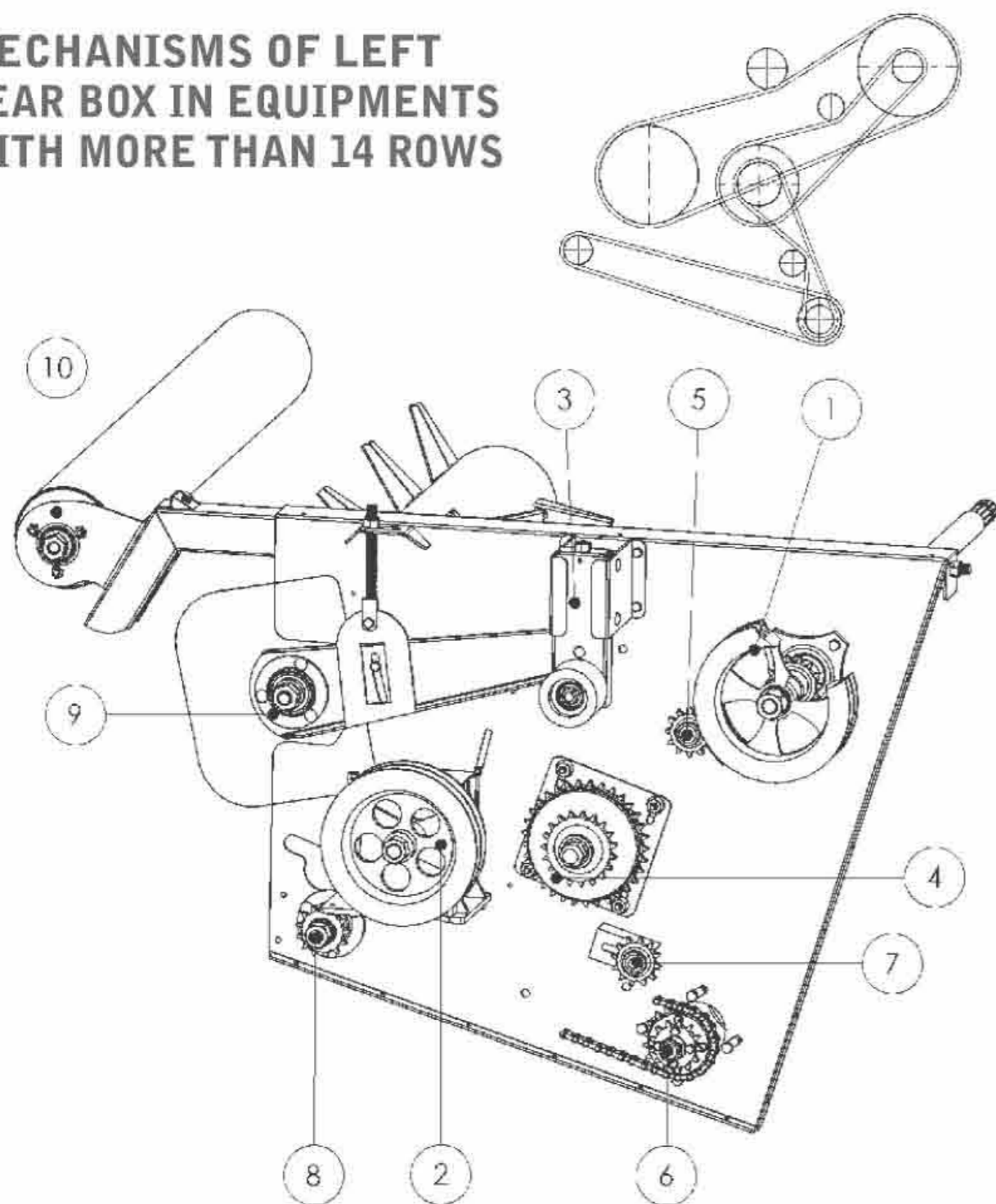
REF	PART	SPARE PART NUMBER
1	Axis Right Command Equipment with more than 14 rows	See page 20
2	Right Point Paddle Tube in Equipments with more than 14 Rows	See page 33
3	Register Chain 1	See page 22
4	Right Point Auger in Equipments up to 14 Rows	See page 29
5	Counter Axis	See page 21
6	Left Point Stalk Ejector Command	See page 26
7	Register Chains 2	See page 23
8	Stand Tube Screen	See page 28

MECHANISM OF LEFT GEAR BOX IN EQUIPMENTS UP TO 14 ROWS

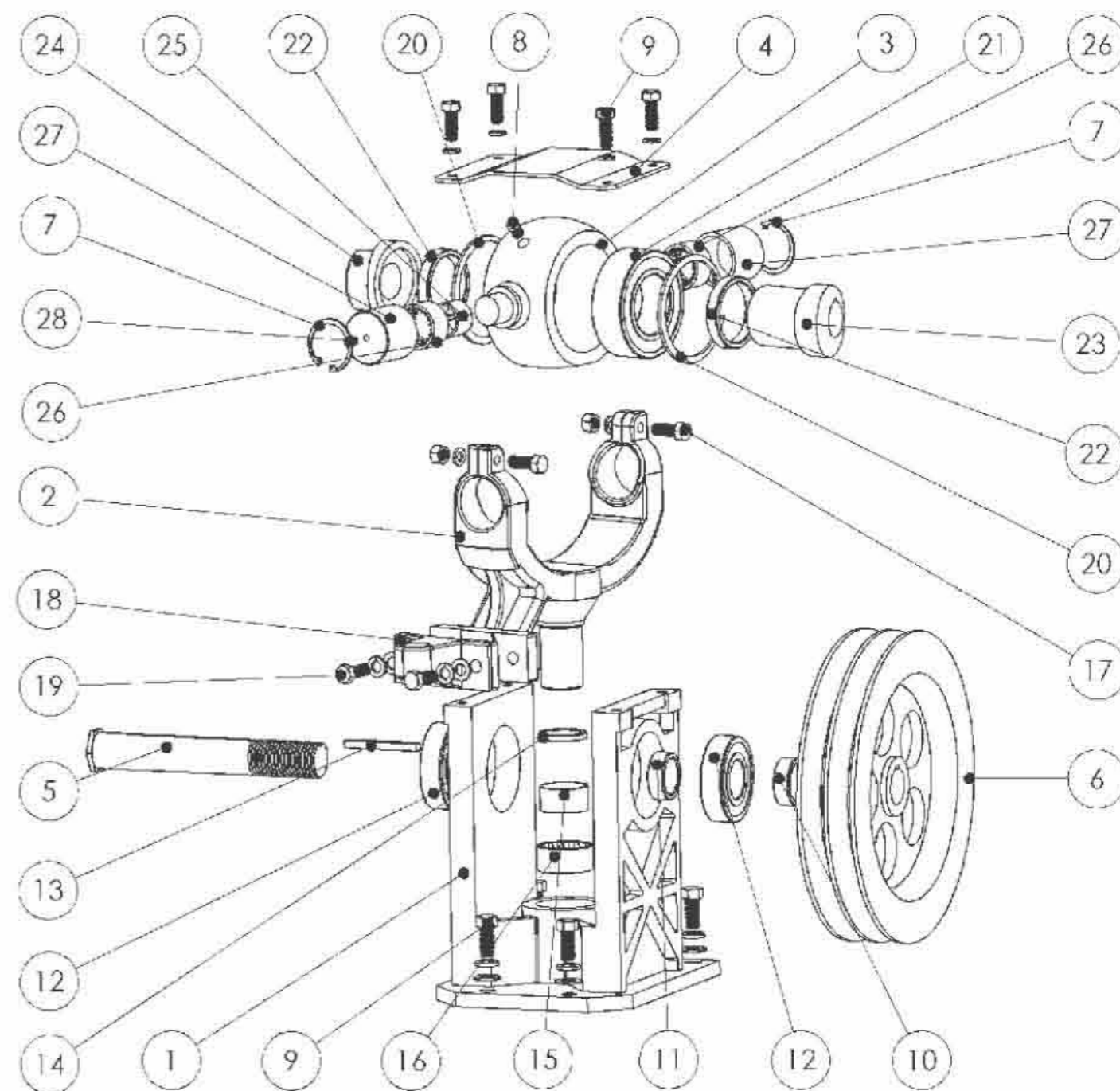


REF	PART	SPARE PART NUMBER
1	Axis Left Command in Equipments up to 14 Rows	See page 18
2	Coulter Box	See page 17
3	Register Strings Coulter Box	See page 27
4	Left Point Auger	See page 31
5	Register Chains 3	See page 24
6	Counter Axis	See page 21
7	Register Chains 2	See page 23
8	Left Point Stalk Ejector Command	See page 26
9	Left Point Paddle Tube	See page 34
10	Stand Tube Screen	See page 28

MECHANISMS OF LEFT GEAR BOX IN EQUIPMENTS WITH MORE THAN 14 ROWS



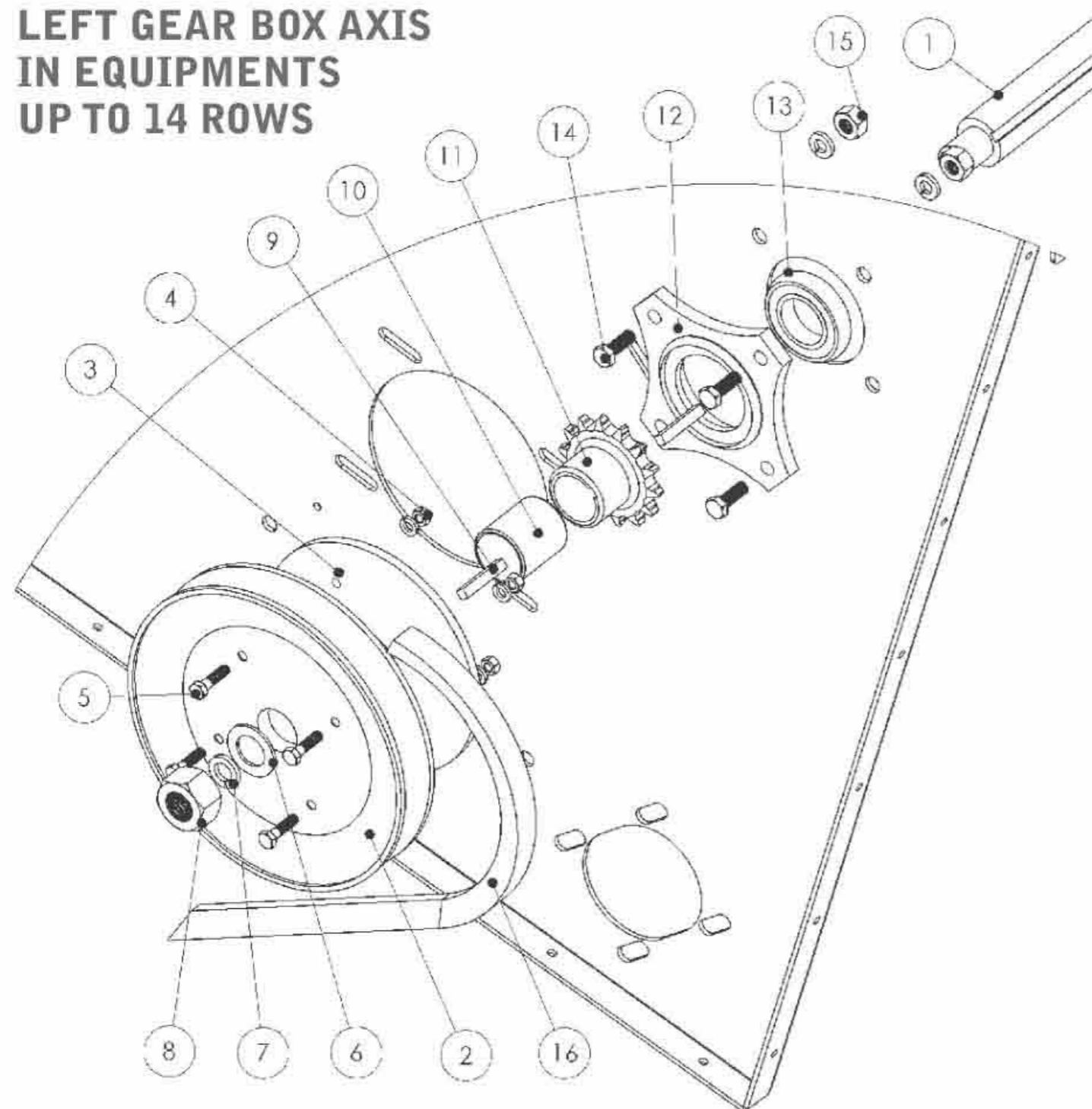
COULTER BOX



REF	PART	SPARE PART NUMBER
1	Axis Left Command in Equipments for more than 14 Rows	See page 19
2	Coultter Box	See page 17
3	Register Strings Coultter Box	See page 27
4	Left Point Auger	See page 31
5	Register Chains 3	See page 24
6	Counter Axis	See page 21
7	Register Chains 2	See page 23
8	Left Point Stalk Ejector Command	See page 26
9	Left Point Paddle Tube	See page 34
10	Stand Tube Screen	See page 28

REF	PART	SPARE PART NUMBER	REF	PART	SPARE PART NUMBER	REF	PART	SPARE PART NUMBER
1	Box Body	FFCC - 20 - 001	10	Divider	FFCC - 20 - 007	20	Seger Ring DIN 472 diam 90	
2	Fork	FFCC - 20 - 002	11	Divider	FFCC - 20 - 007	21	Bearing 5210 2RS	
3	Collar	FFCC - 20 - 003	12	Bearings 6306 2RS		22	Divider	FFCC - 20 - 010
4	Cap	FFCC - 20 - 004	13	Catch Pin 6 mm	FFCC - 20 - 014	23	Drill Brace	FFCC - 20 - 011
5	Main Axis	FFCC - 20 - 005	14	Rivet 7105 SAV	FFCC - 20 - 008	24	Drill Brace Cap	FFCC - 20 - 012
6	Pulley 1 channel	FFCC - 20 - 006A	15	Bearing Container NKI 3530		25	Bearing NKI 2520	
6	Pulley 2 channels	FFCC - 20 - 006B	16	Needle Bearing NKI 3530		26	Bearing NKI 2520	
7	Seger Ring DIN 472 diam 40		17	Rivet 7/16 x 11/2		27	Roller Holder	FFCC - 20 - 013
8	Straight Alemite 1/8 BSPT		18	Joint Stand		28	Straight Alemite 1/4 SAE	
9	Rivet 5/16 x 3/4		19	Rivet 1/2 x 1 1/2 UNC 13 H				

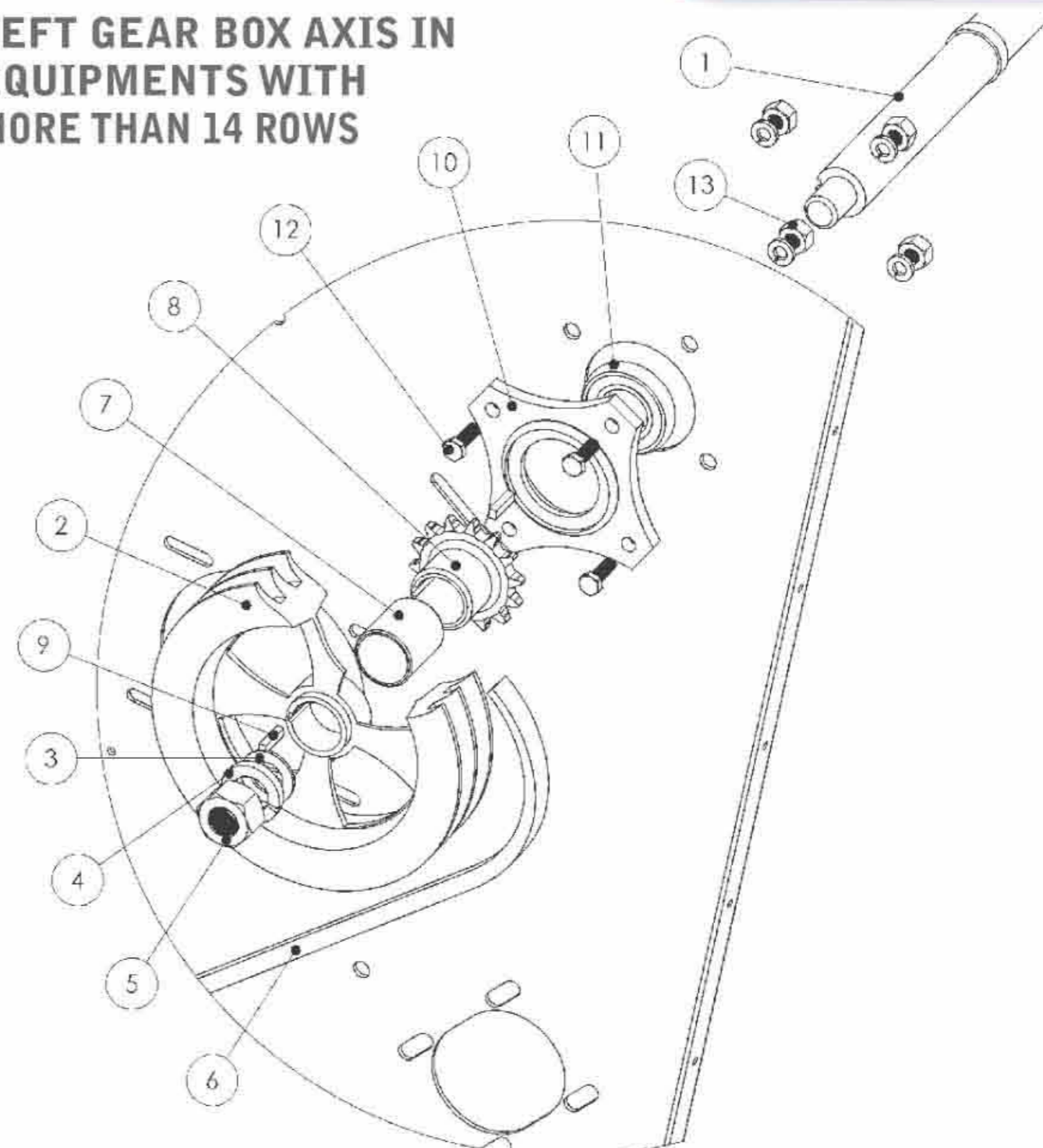
LEFT GEAR BOX AXIS IN EQUIPMENTS UP TO 14 ROWS



REF	PART	SPARE PART NUMBER
1	Left Gear Box Axis	FFG - 10 - 091
2	Pulley	FFG - 10 - 092
3	Pulley Pole Axe	FFG - 10 - 093
4	Rivet 5/16 x 7/8	
5	Nut and Grommet 5/16	
6	Even grommet 1"	
7	Grower grommet 1"	
8	Nut 1"	
9	Pin 8 mm	FFG - 10 - 094

REF	PART	SPARE PART NUMBER
10	Divider	FFG - 10 - 095
11	Assembly 14 Z ANSI 60 with pole Axe	FFG - 10 - 096
12	Bearing Holder Box	FFG - 10 - 097
13	Bearing UC 208 2 RS	
14	Rivet 1/2 x 11/2	
15	Nut 1/2	
16	String C 83	

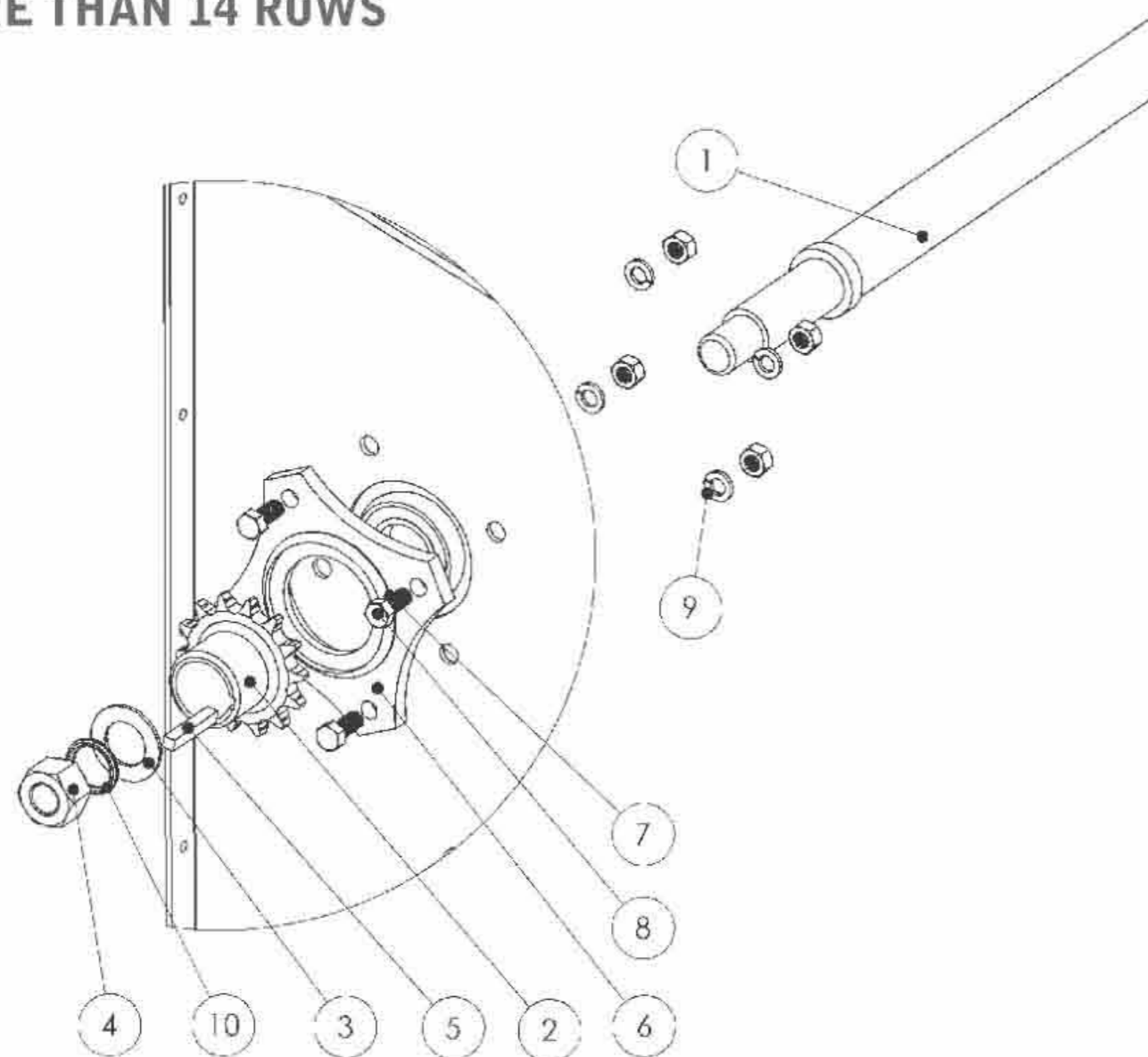
LEFT GEAR BOX AXIS IN EQUIPMENTS WITH MORE THAN 14 ROWS



REF	PART	SPARE PART NUMBER
1	Left Gear Box Axis	FFG - 10 - 041
2	Pulley 2 C diam 260	FFG - 10 - 098
3	Grower Grommet	
4	Even Grommet	
5	Nut	
6	String C 83	
7	Divider	FFG - 10 - 099
8	Assembly 14Z ANSI 60	FFG - 10 - 096
9	Pin 8 mm	FFG - 10 - 094

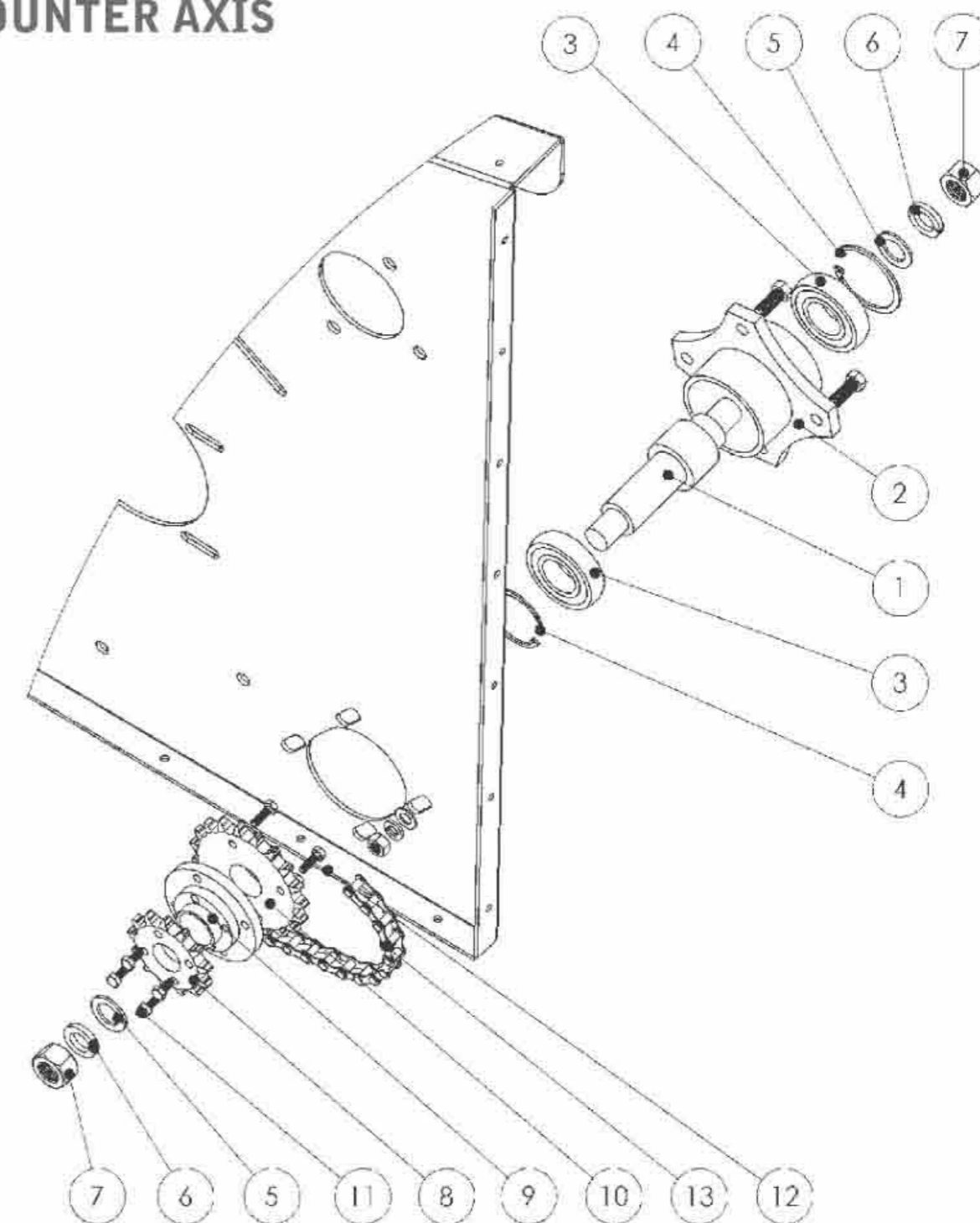
REF	PART	SPARE PART NUMBER
10	Bearing Holder Box	FFG - 10 - 096
11	Bearing UC 208	
12	Rivet 1/2 x 11/2	
13	Nut 1/2	

RIGHT GEAR BOX AXIS IN EQUIPMENTS WITH MORE THAN 14 ROWS



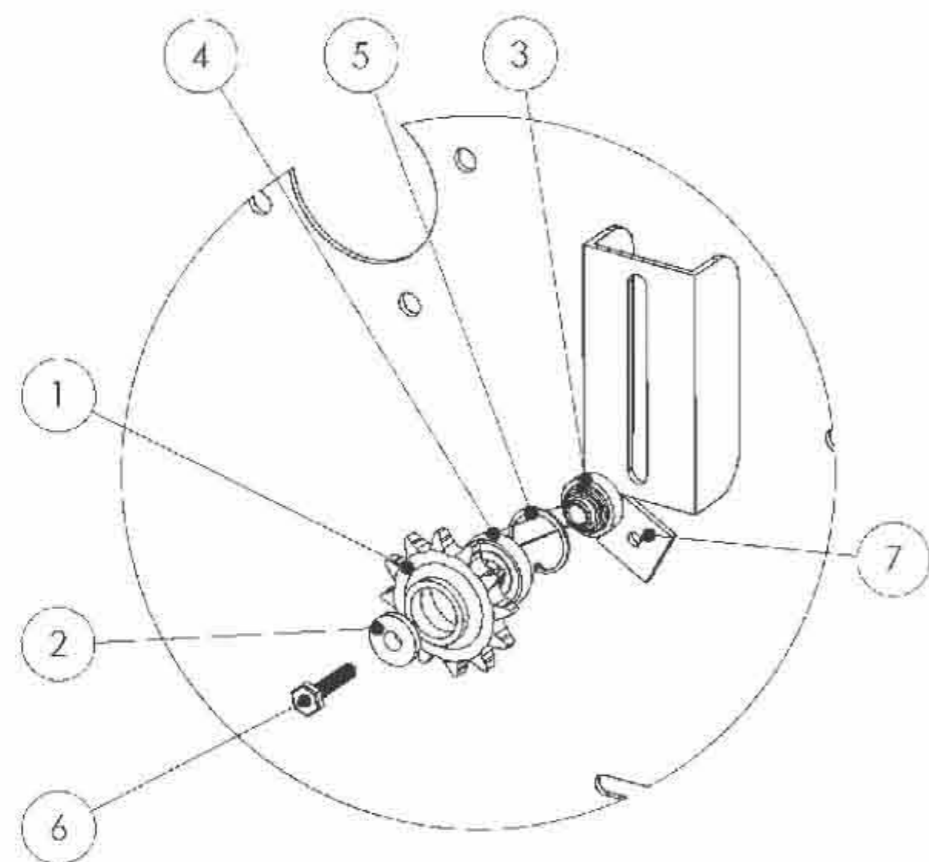
REF	PART	SPARE PART NUMBER
1	Right Gear Box Axis	FFG - 10 - 0100
2	Assembly 14Z ANSI 60 with Pole Axe	FFG - 10 - 096
3	Even Grommet	
4	Nut 1° SAE	
5	Pin 8 mm	FFG - 10 - 101
6	Bearing Holder Box	FFG - 10 - 096
7	Bearing UC 208	
8	Rivet 1/2 x 1 1/2 with Grower BSW	
9	Nut 1/2	

COUNTER AXIS



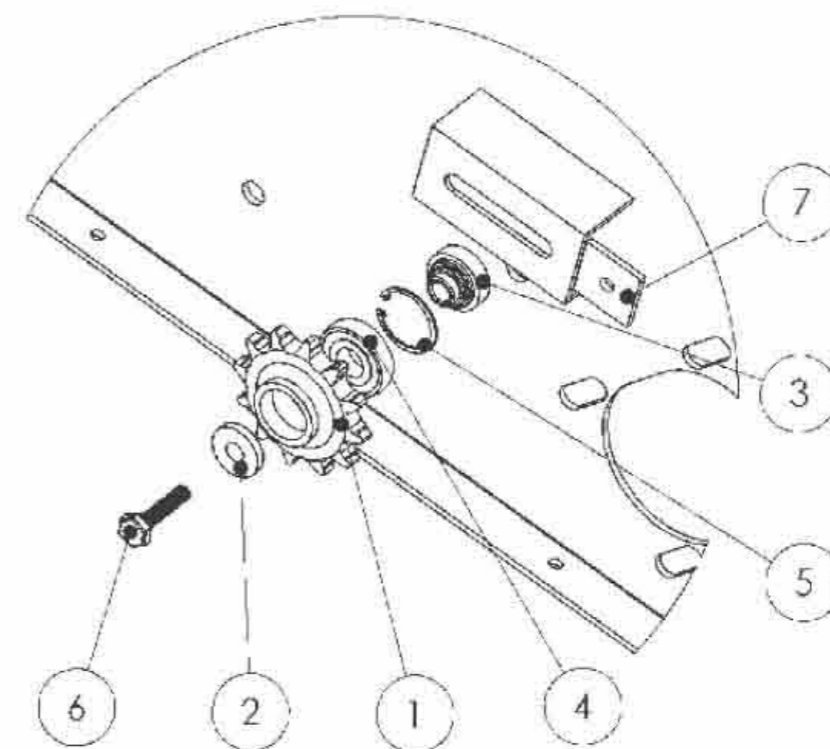
REF	PART	SPARE PART NUMBER	REF	PART	SPARE PART NUMBER
1	Stalk Ejector Gear Box Axis	FFG - 10 - 102	10	Assembly 19Z ANSI 60	FFG - 10 - 106
2	Box Catch Bearing Holder	FFG - 10 - 103	11	Rivet 5/16 x 7/8	
3	Bearing 6207 2RS		12	Rivet 3/8 x 1	
4	Seeger Ring Ø 72 DIN 472		13	Chain ANSI 60	
5	Even Grommet 7/8				
6	Grower Grommet 7/8				
7	Nut 7/8 SAE				
8	Assembly 13Z ASA 60	FFG - 10 - 104			
9	Assembly Pole Axe Holder	FFG - 10 - 105			

CHAINS REGISTER



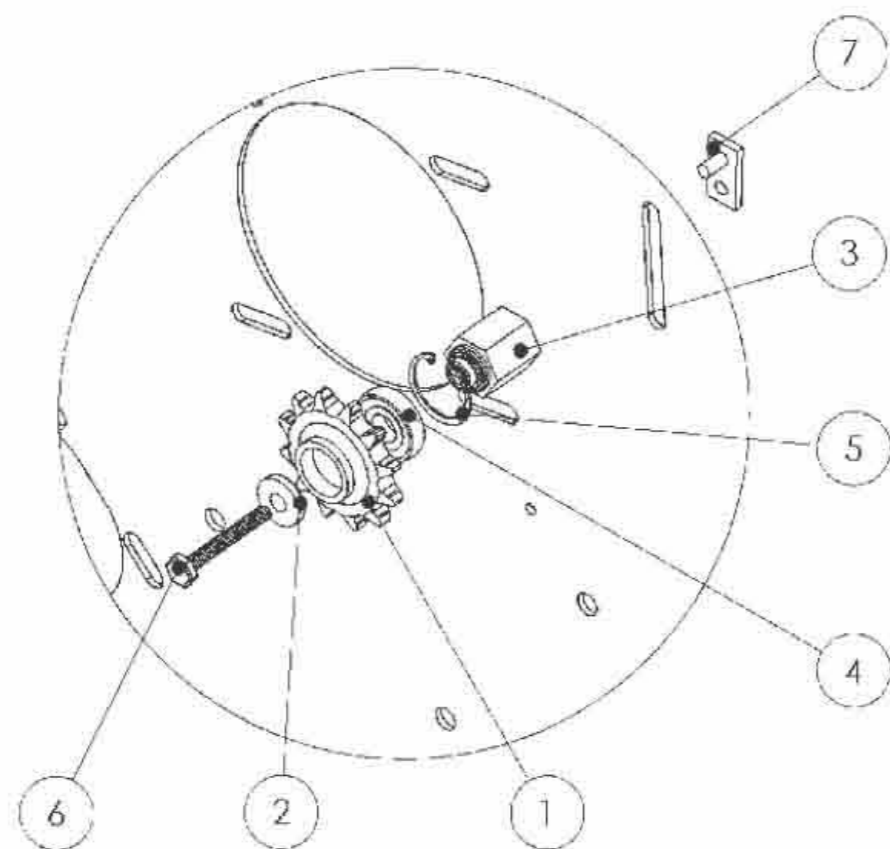
REF	PART	SPARE PART NUMBER
1	Assembly 12 Z ANSI 60 Binder	FFG - 10 - 107
2	Safety Clutch with Head	FFG - 10 - 108
3	Safety Clutch with Head	FFG - 10 - 109
4	Bearing 6203 RS	
5	Seger Ring diam, 47	
6	Rivet 7/16 x 11/2	
7	Special nut	FFG - 10 - 110

CHAINS REGISTER

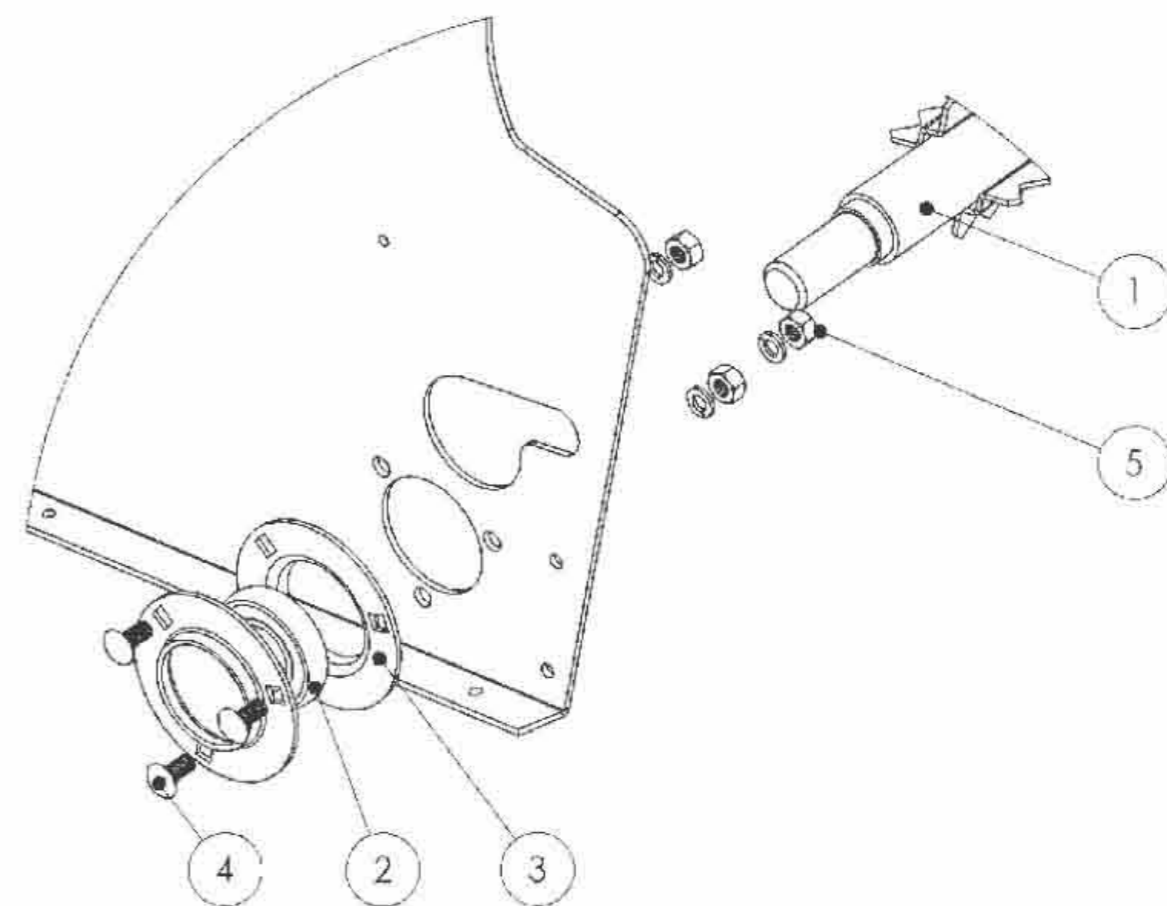


REF	PART	SPARE PART NUMBER
1	Engranaje 12 Z ANSI 60 Tensor	FFG - 10 - 107
2	Safety Clutch with Head	FFG - 10 - 108
3	Safety Clutch with Head	FFG - 10 - 109
4	Bearing 6203 RS	
5	Seger Ring diam 47	
6	Rivet 7/16 x 11/2	
7	Special nut	FFG - 10 - 110

CHAINS REGISTER



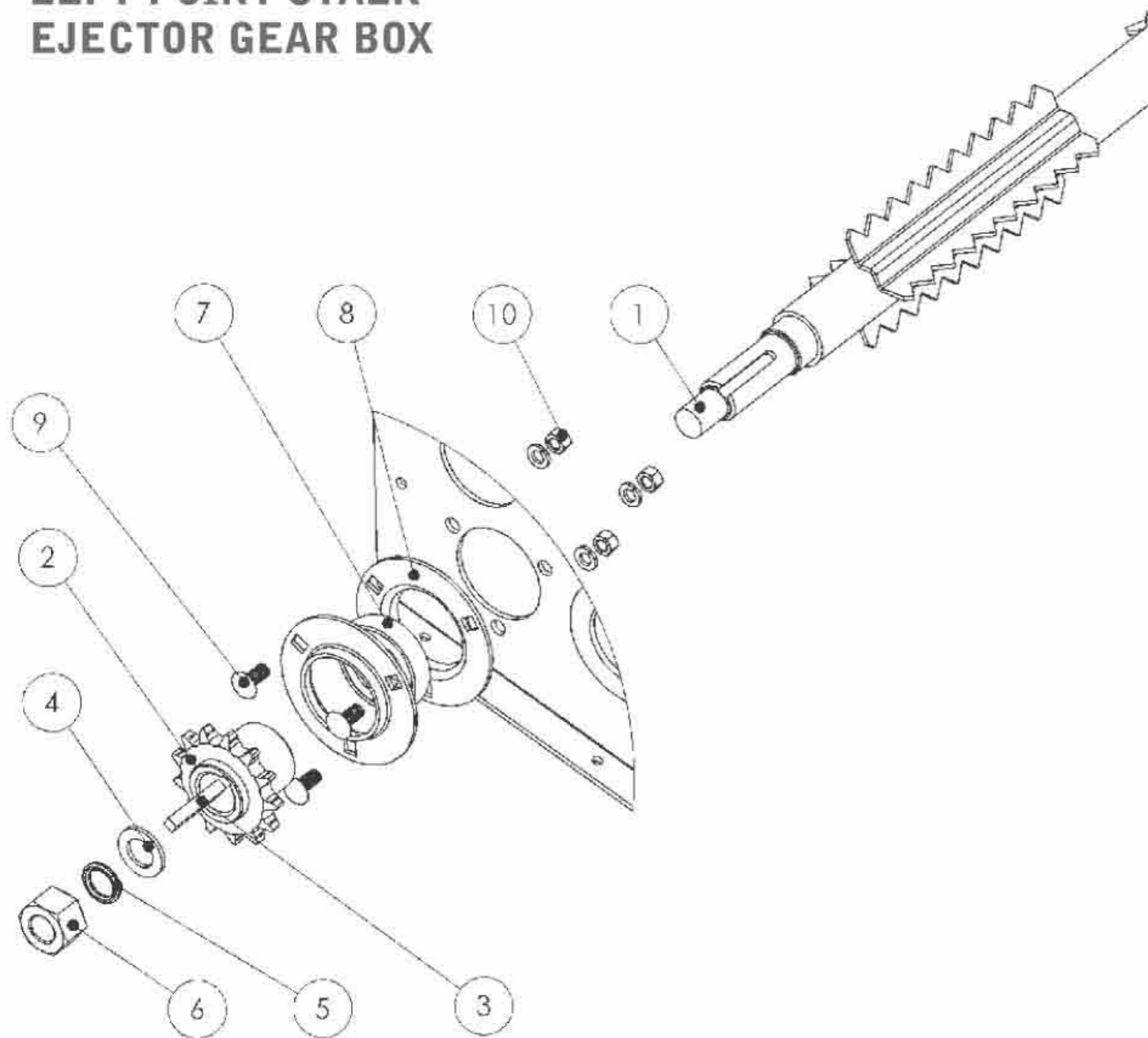
RIGHT STALK EJECTOR POINT



REF	PART	SPARE PART NUMBER
1	Assembly 12 Z ANSI 60 Binder	FFG - 10 - 107
2	Safety Clutch with Head	FFG - 10 - 108
3	Binder Axis Stand	FFG - 10 - 111
4	Bearing 6203 2RS	
5	Seger Ring diam 47	
6	Rivet 7/16 x 23/4	
7	Binder Assembly Stand	FFG - 10 - 112

REF	PART	SPARE PART NUMBER
1	Right Stalk Ejector	FFG - 10 - 113
2	Spherical Bearing 6206	
3	Stand UC 206	
4	Square Shank and Round Head Rivet	
5	Nut 10	

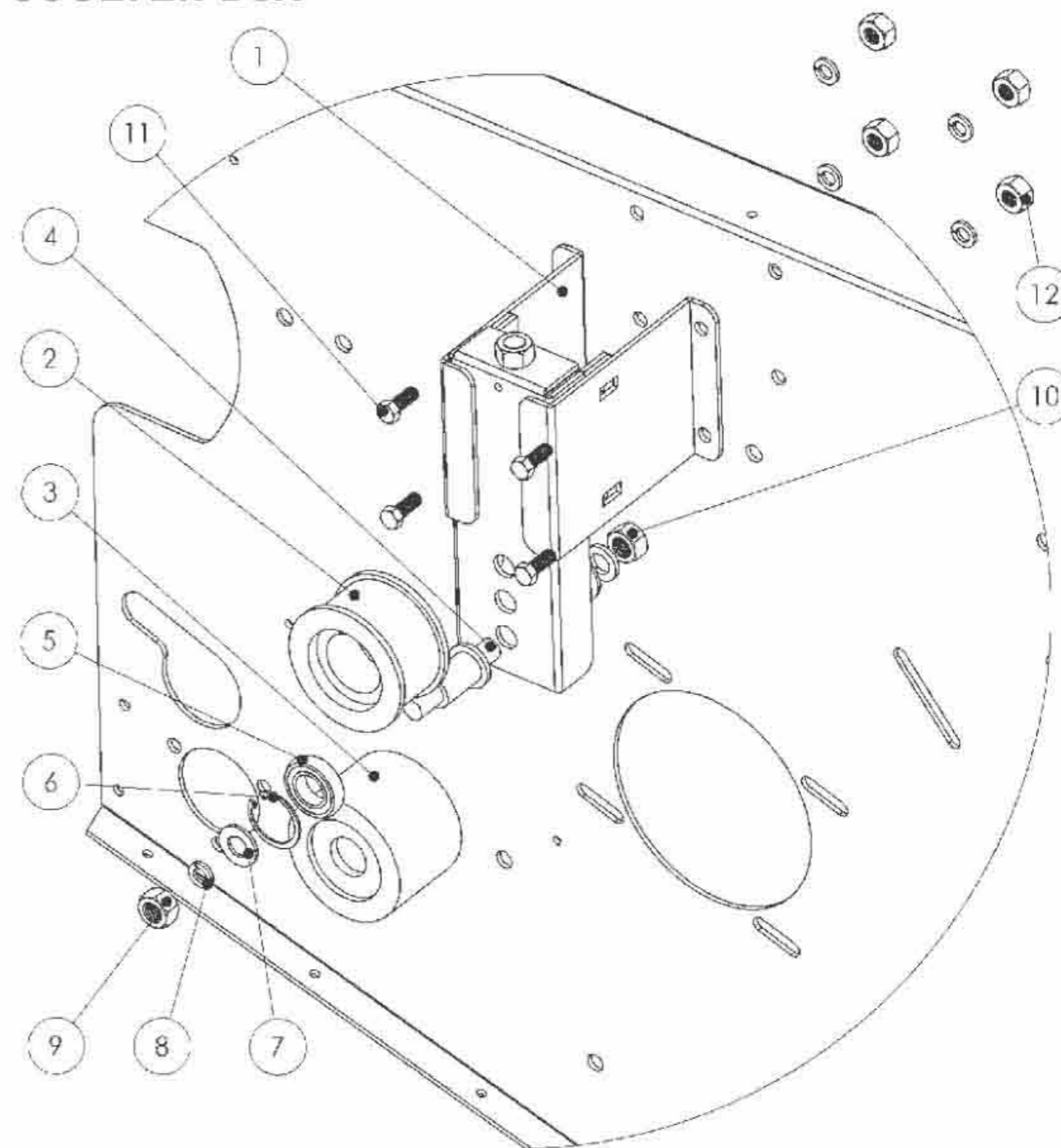
LEFT POINT STALK EJECTOR GEAR BOX



REF	PART	SPARE PART NUMBER
1	Left Stalk Ejector	FFG - 10 - 114
2	Assembly 13 Z ANSI 60	FFG - 10 - 115
3	Pin 8 x 8 mm	FFG - 10 - 116
4	Grommet 7/8	
5	Grower Grommet 7/8	
6	Nut 7/8 SAE	
7	Spherical Bearing 6206	
8	Stand UC 206	
9	Square Shank and Round Head Rivet 10 x 25	

REF	PART	SPARE PART NUMBER
10	Nut 10	

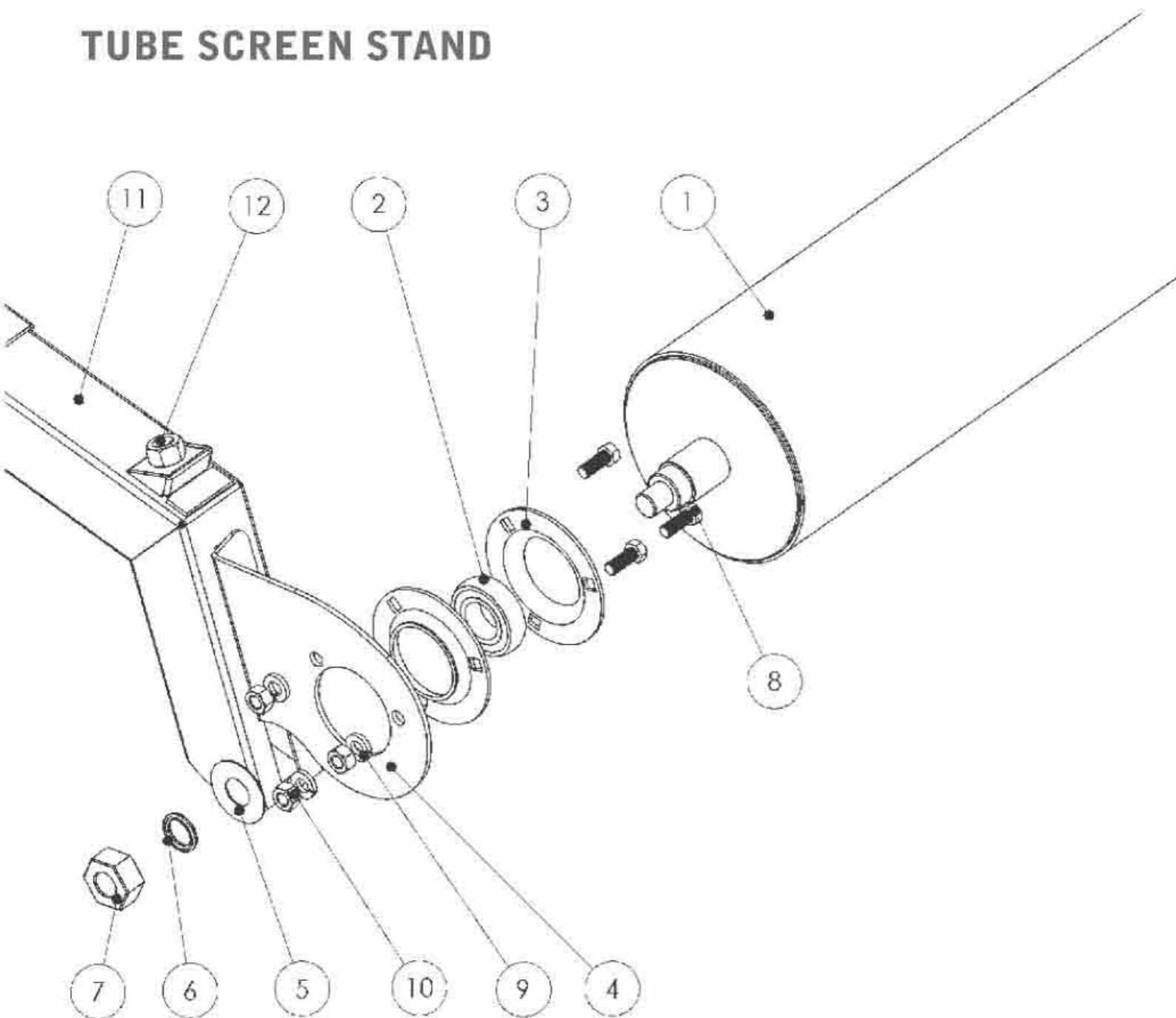
STRING REGISTER COULTER BOX



REF	PART	SPARE PART NUMBER
1	String Binder	FFG . 10 - 117
2	Pulley Single Binder	FFG . 10 - 118
3	Pulley Double Binder	FFG . 10 - 119
4	Binder Axes	FFG . 10 - 120
5	Bearing 6203 2RS	
6	Seeger Ring diam.47 DIN 472	
7	Even Grommet 3/4	
8	Grower Grommet 3/4	
9	Nut 3/4 SAE	

REF	PART	SPARE PART NUMBER
10	Nut 5/8 SAE	
11	Square Shank and Round Head Rivet 10 x 25	
12	Nut 10	

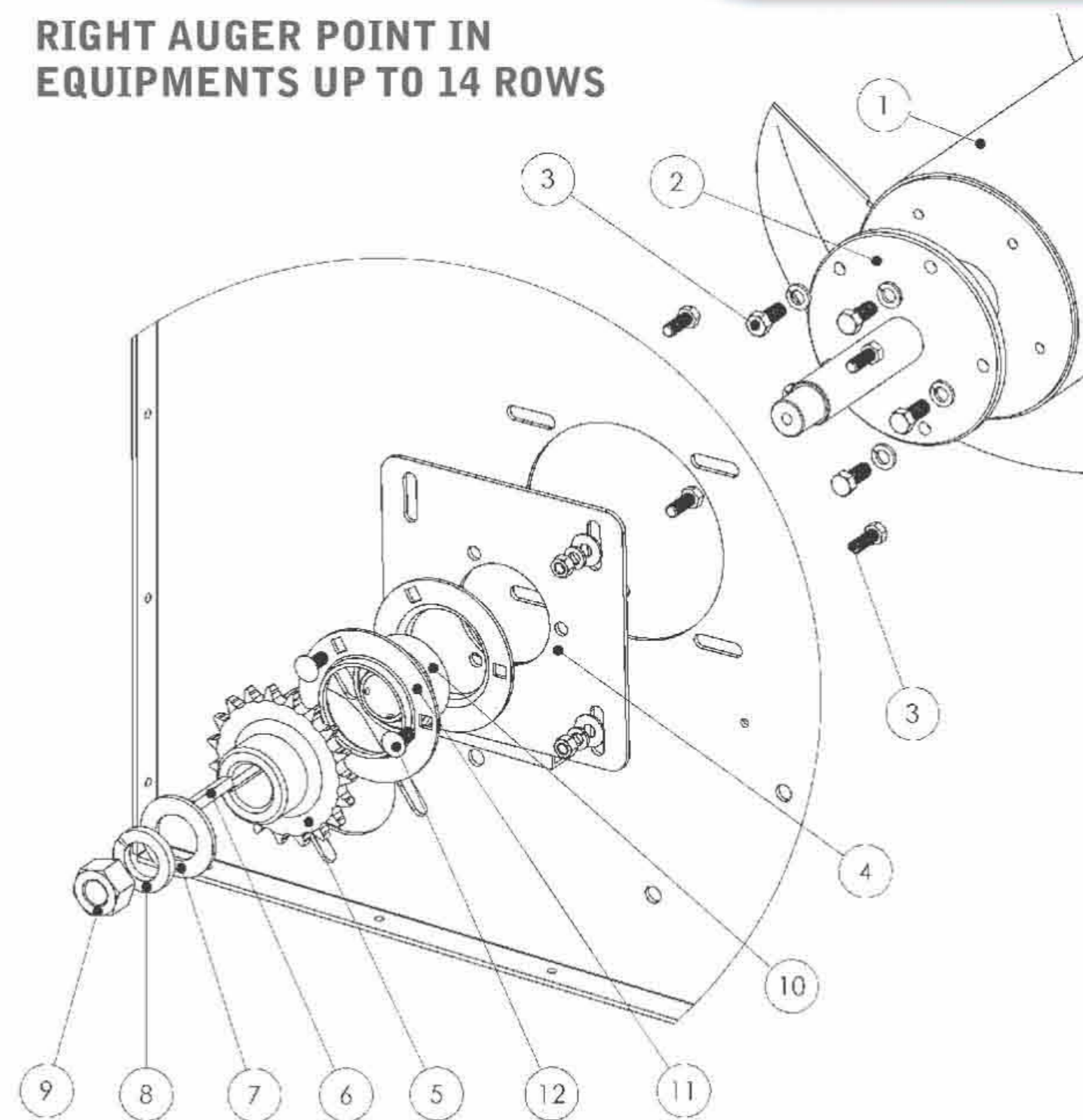
TUBE SCREEN STAND



REF	PART	SPARE PART NUMBER
1	Right Screen	FFG - 10 - 121
2	Spherical Bearing 6206	
3	Stand UC 206	
4	Bearing Screen Stand	FFG - 10 - 122
5	Even Grommet 3/4	
6	Grower Grommet 3/4	
7	Nut 3/4	
8	Rivet 3/8 x 3/4	
9	Grower Grommet 3/8	

REF	PART	SPARE PART NUMBER
10	Nut 3/8	
11	Screen Stand Arm	FFG - 10 - 123
12	Nut 5/8	

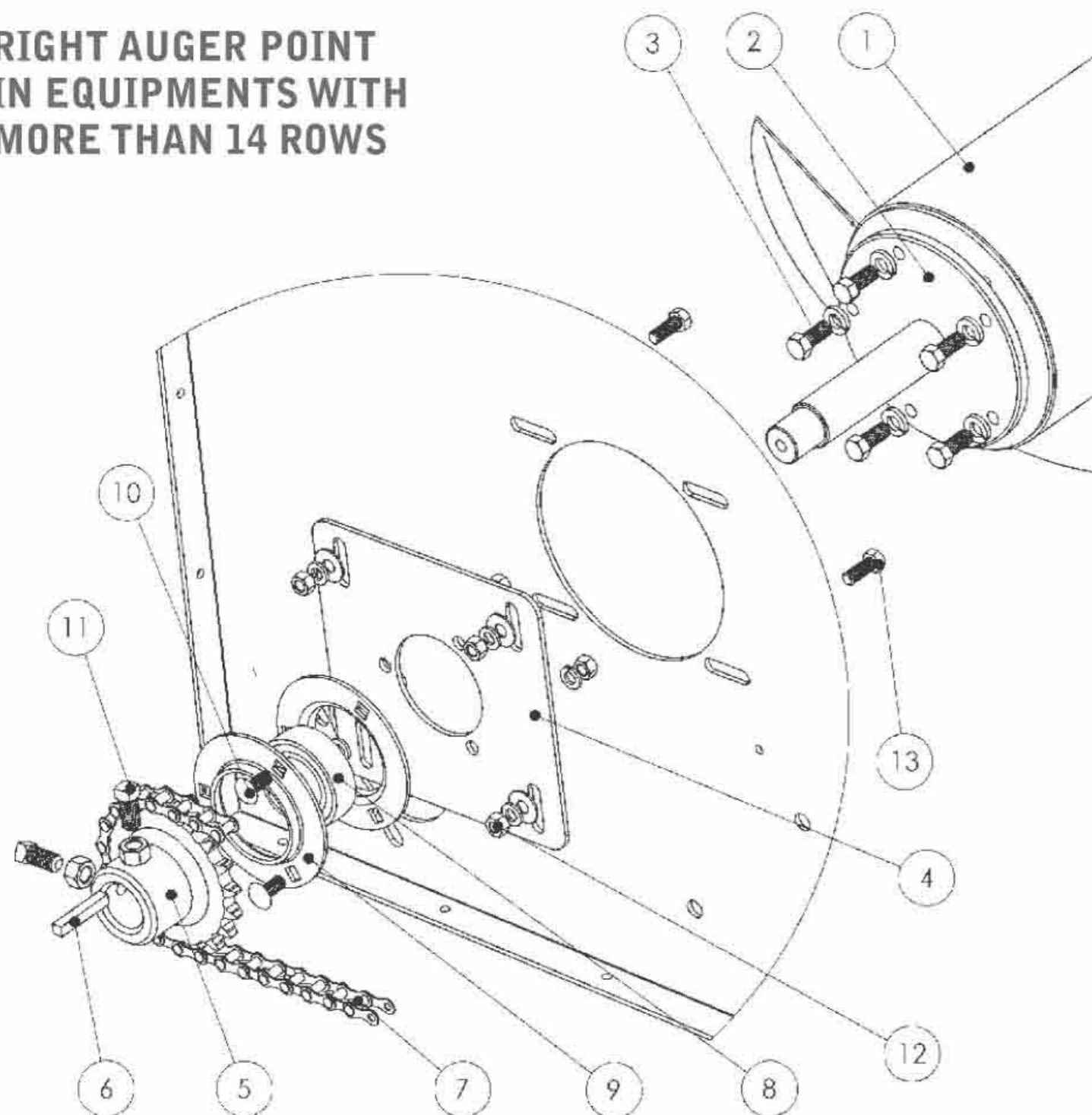
RIGHT AUGER POINT IN EQUIPMENTS UP TO 14 ROWS



REF	PART	SPARE PART NUMBER
1	Right Auger	FFG - 10 - 124
2	Right Auger Point	FFG - 10 - 125
3	Rivet 3/8 x 1	
4	Auger Stand	FFG - 10 - 126
5	Auger Assembly 19Z 3/4	FFG - 10 - 127
6	Pin 8 mm	FFG - 10 - 128
7	Even Grommet 7/8	
8	Grower Grommet 7/8	
9	Nut	

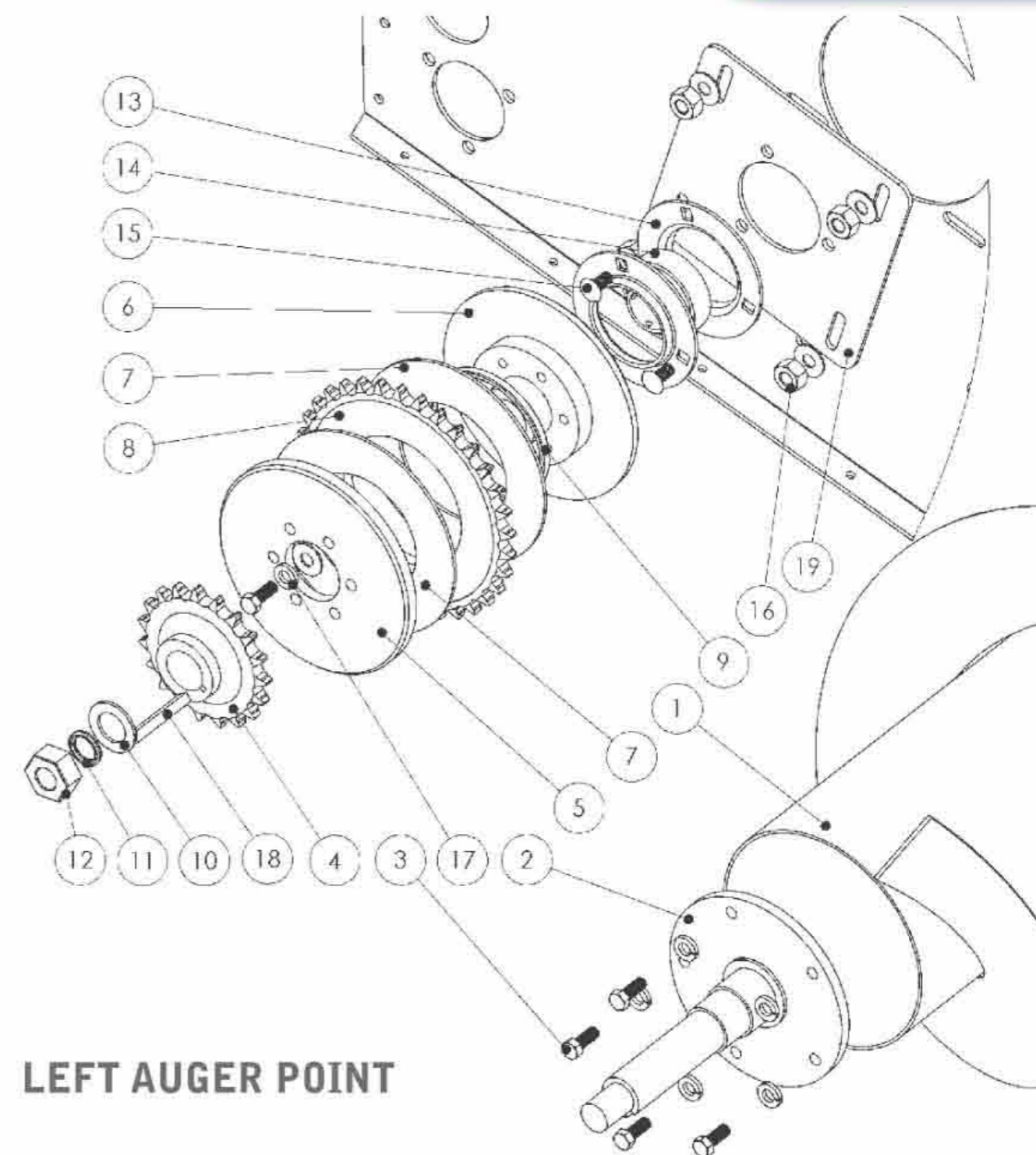
REF	PART	SPARE PART NUMBER
10	Bearing UC 207	
11	Stand UC 207	
12	Square Shank and Round Head Rivet 10 x 25	

RIGHT AUGER POINT IN EQUIPMENTS WITH MORE THAN 14 ROWS



REF	PART	SPARE PART NUMBER
1	Right Auger	FFG - 10 - 124
2	Right Auger Tip	FFG - 10 - 125
3	Rivet 3/8 x 1	
4	Auger Stand	FFG - 10 - 126
5	Auger Assembly 19Z 3/4	FFG - 10 - 127
6	Pin 8 mm	FFG - 10 - 128
7	Chain	
8	Bearing UC 207	
9	Stand UC 207	

REF	PART	SPARE PART NUMBER
10	Square Shank and Round Head Rivet 10 x 25	
11	Set bolt 1/2 x 1	
12	Nut, Even and Grower Grommet	
13	Rivet 10 x 25 C/ RED-CC	

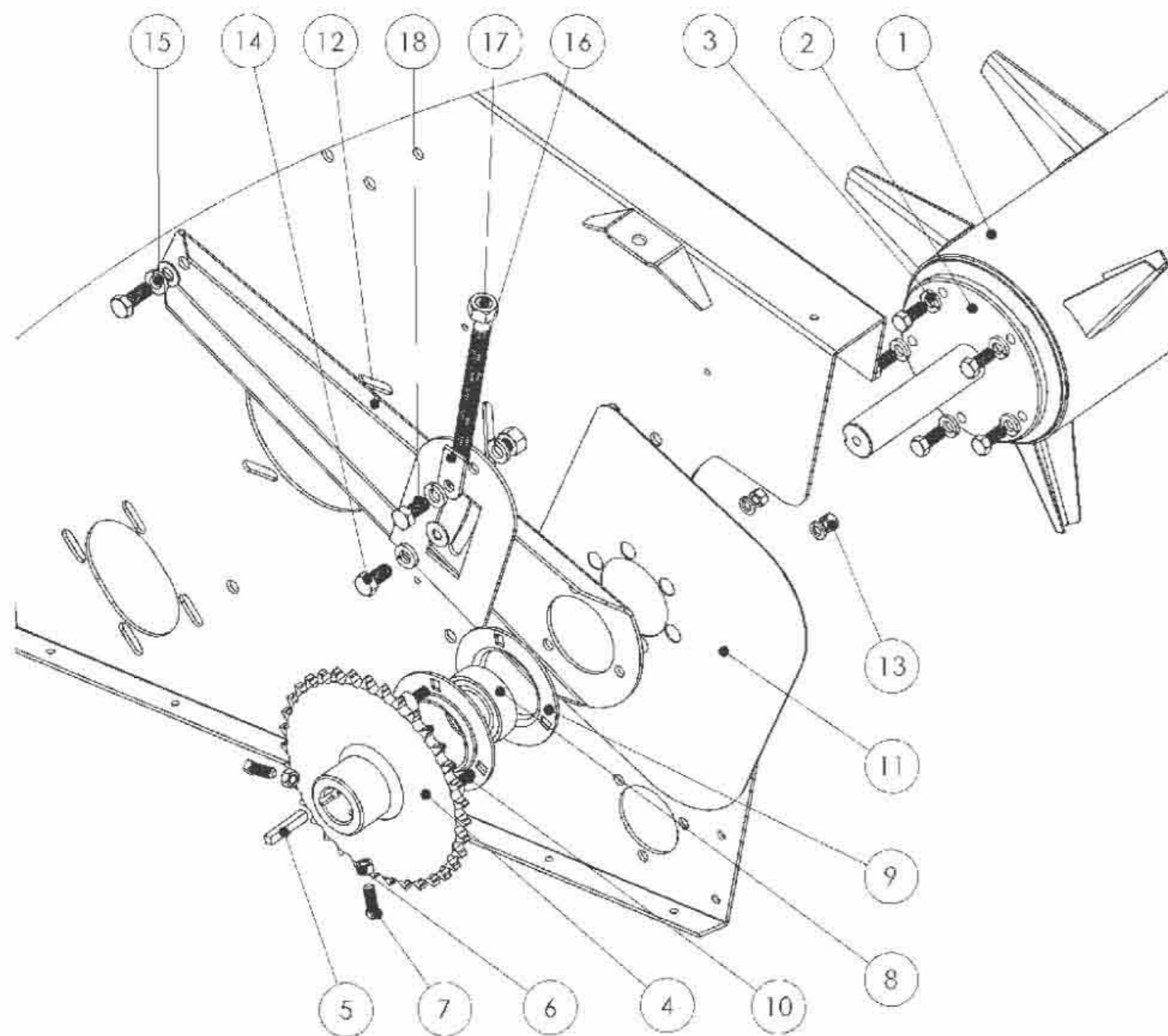


LEFT AUGER POINT

REF	PART	SPARE PART NUMBER
1	Left Auger	FFG - 10 - 129
2	Left Auger Tip	FFG - 10 - 130
3	Rivet 3/8 x 1	
4	Auger Assembly 19Z ANSI 60	FFG - 10 - 137
5	Safety Clutch Cap	FFG - 10 - 131
6	Safety Clutch Pole Axe	FFG - 10 - 132
7	Drive Plating	FFG - 10 - 133
8	Safety Clutch Assembly 33Z 3/4	FFG - 10 - 134
9	Safety Clutch Ring	FFG - 10 - 135

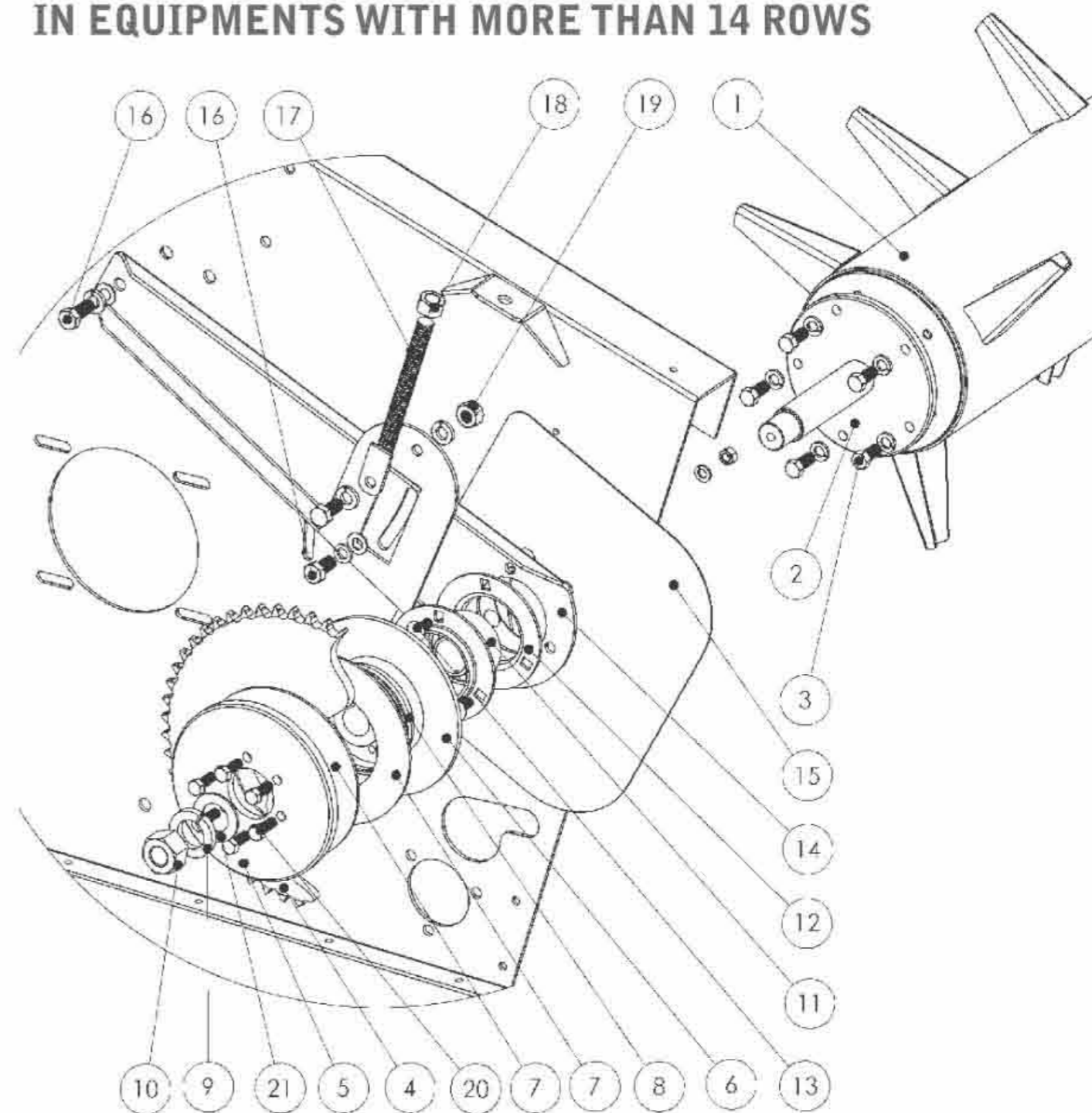
REF	PART	SPARE PART NUMBER
10	Even Grommet 7/8	
11	Grower Grommet 7/8	
12	Nut 7/8	
13	Stand UC 207	
14	Bearing UC 207	
15	Square Shank and Round Head Bolt 10 x 25	
16	Nut 10	
17	Rivet 3/8 x 1/4	
18	Pin 8 mm	FFG - 10 - 128
19	Auger Stand	FFG - 10 - 126

RIGHT PADDLE TUBE POINT IN EQUIPMENTS UP TO 14 ROWS



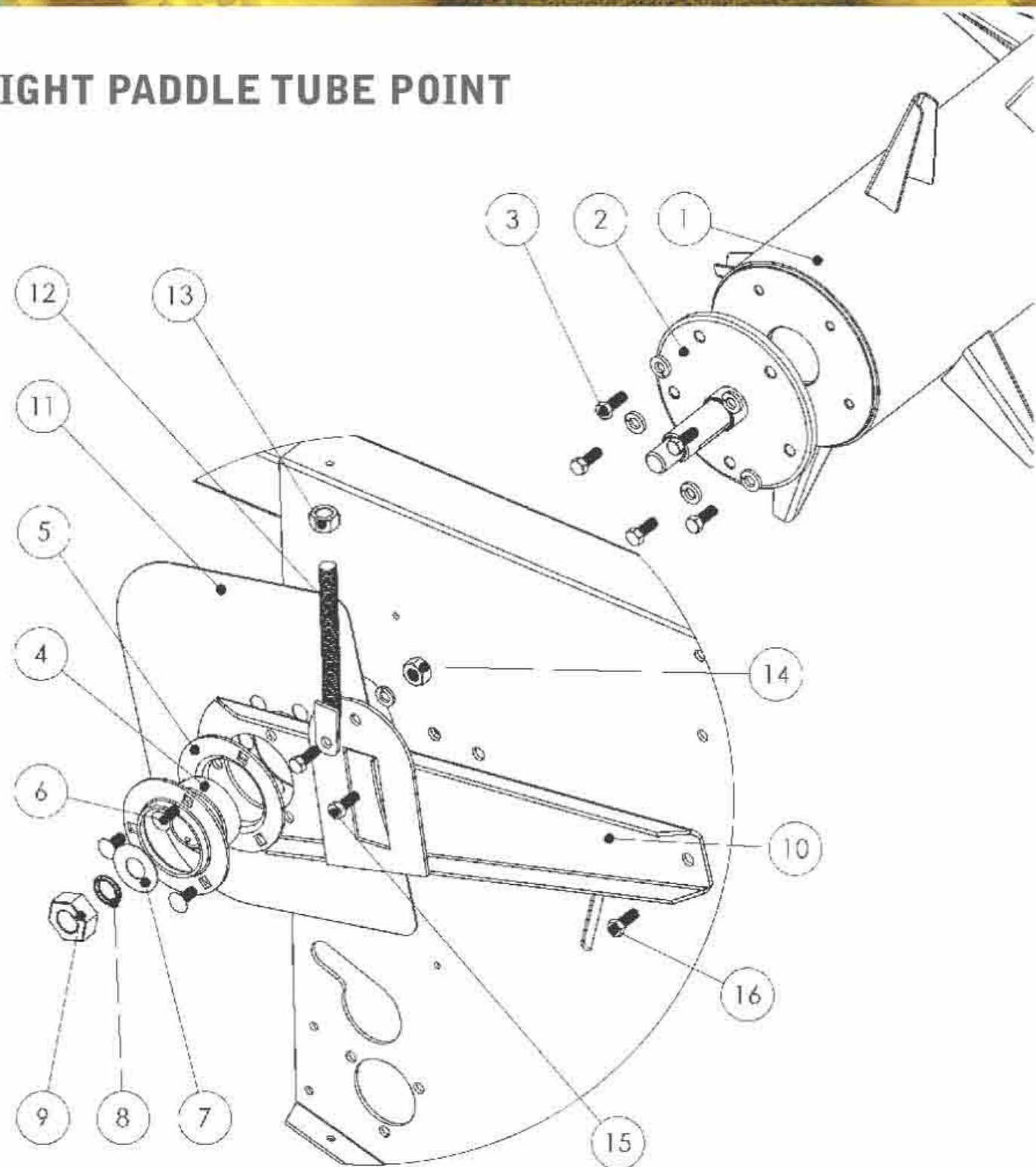
REF	PART	SPARE PART NUMBER	REF	PART	SPARE PART NUMBER
1	Right Paddle	FFG - 10 - 136	10	Square Shank and Round Head Rivet 10 x 25	
2	Right Paddle Point	FFG - 10 - 137	11	Cap	FFG - 10 - 143
3	Rivet 3/8 x 1		12	Right Paddle Arm Stand	FFG - 10 - 140
4	Assembly 35Z ANSI 60	FFG - 10 - 138	13	Nut 3/8	
5	Pin 8 mm	FFG - 10 - 139	14	Rivet 1/2 x 1	
6	Nut 1/2		15	Rivet 1/2 x 1	
7	Set Bolt 1/2 x 11/4		16	Register Paddle Arm Stand	FFG - 10 - 141
8	Spherical Bearing 6207		17	Nut 5/8	
9	Stand UC 207		18	Rivet 3/8 x 1	

RIGHT PADDLE TUBE POINT IN EQUIPMENTS WITH MORE THAN 14 ROWS



REF	PART	SPARE PART NUMBER	REF	PART	SPARE PART NUMBER
1	Right Paddle	FFG - 10 - 136	12	Stand UC 207	
2	Right Paddle Point	FFG - 10 - 142	13	Square Shank and Round Head Rivet 10 x 25	
3	Rivet 3/8 x 1		14	Paddle Arm Stand	FFG - 10 - 140
4	Safety Clutch Assembly	FFG - 10 - 134	15	Cap	FFG - 10 - 143
5	Safety Clutch Cap	FFG - 10 - 131	16	Rivet 1/2	
6	Friction Plating	FFG - 10 - 133	17	Paddle Arm Stand Register	FFG - 10 - 141
7	Safety Clutch Ring	FFG - 10 - 135	18	Nut 5/8	
8	Safety Clutch Pole Axe	FFG - 10 - 132	19	Nut 5/8	
9	Grower Grommet		20	Rivet x 3/8 x 1	
10	Nut 7/8 SAE		21	Even Grommet	
11	Spherical Bearing 6207				

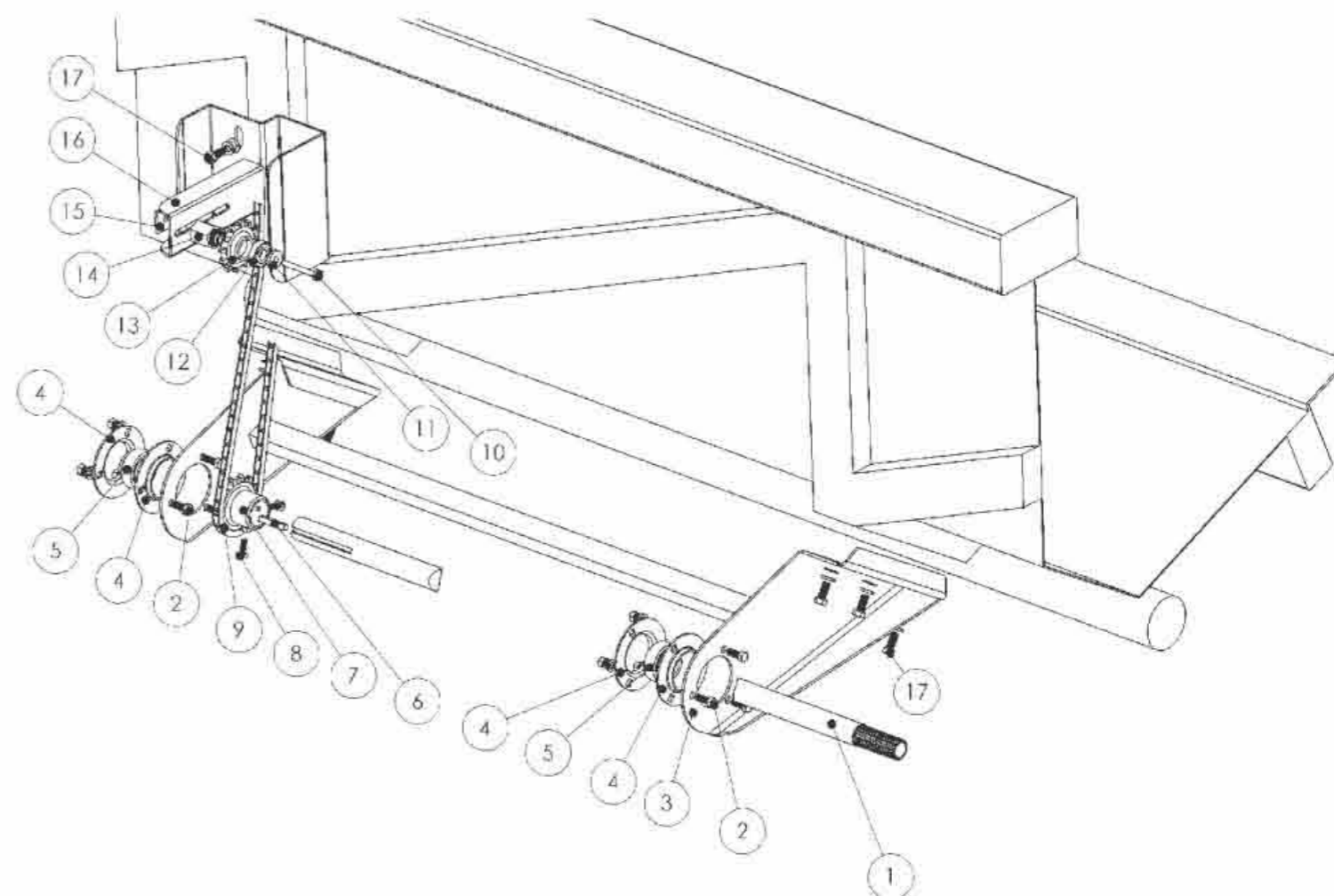
RIGHT PADDLE TUBE POINT



REF	PART	SPARE PART NUMBER
1	Left Paddle	FFG - 10 - 144
2	Left Paddle Point	FFG - 10 - 145
3	Rivet 3/8 x 1	
4	Spherical Bearing 2607	
5	Stand UC 207	
6	Rivet with Even and Grower Grommet	
7	Even Grommet 7/8	
8	Grower Grommet 7/8	
9	Nut 7/8 SAE	

REF	PART	SPARE PART NUMBER
10	LEFT Paddle Arm Stand	FFG - 10 - 146
11	Cap	FFG - 10 - 143
12	Arm Register Paddle Stand	FFG - 10 - 141
13	Nut 5/8	
14	Nut 10	
15	Rivet 1/2 x 1	
16	Rivet 1/2 x 1	

COUNTER AXIS



REF	PART	SPARE PART NUMBER
1	Counter Axis *	FFG-10-220
2	Rivet 3/8 x 1 BSW	
3	Counter Axis Stand*	FFG-10-221
4	Stand UC 207	
5	Bearing UC 207	
6	Pin 8 mm	FFG-10-222
7	Assembly 14Z ANSI 60 with pole axis	FFG-10-223
8	Set Bolt 3/8 x 1	
9	Chain ANSI 60	

REF	PART	SPARE PART NUMBER
10	Rivet 7/16 x 2 3/4 BSN	
11	Axle casing with head	FFG-10-108
12	Bearing 6203 2RS	
13	Binder Assembly 12Z	FFG-10-107
14	Stand Assembly Axis	FFG-10-111
15	Tensile nut	FFG-10-224
16	Binder Stand *	FFG-10-225
17	Rivet 7/16 x 1BSW	

* Indicate trade mark and model of harvester